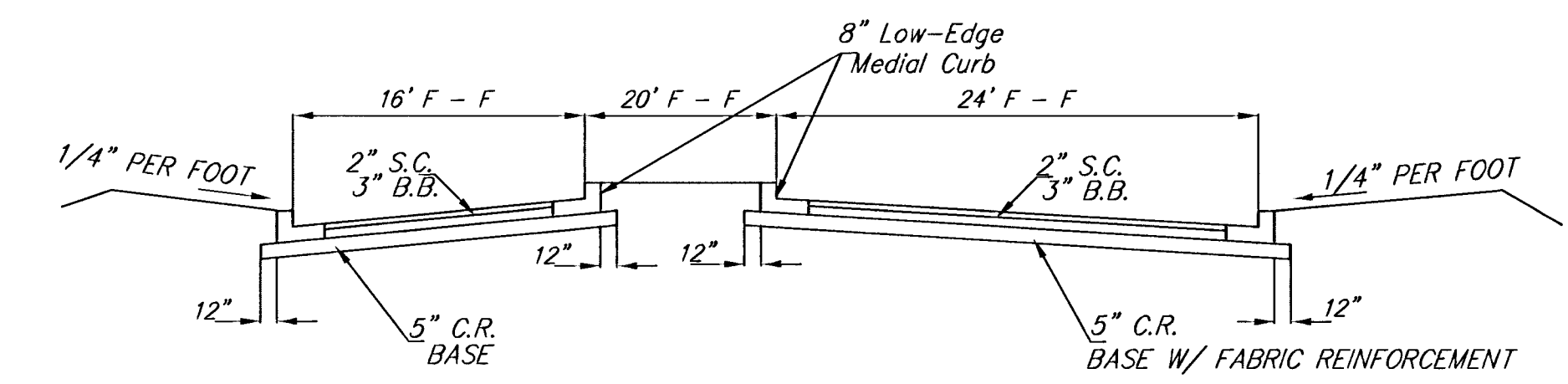
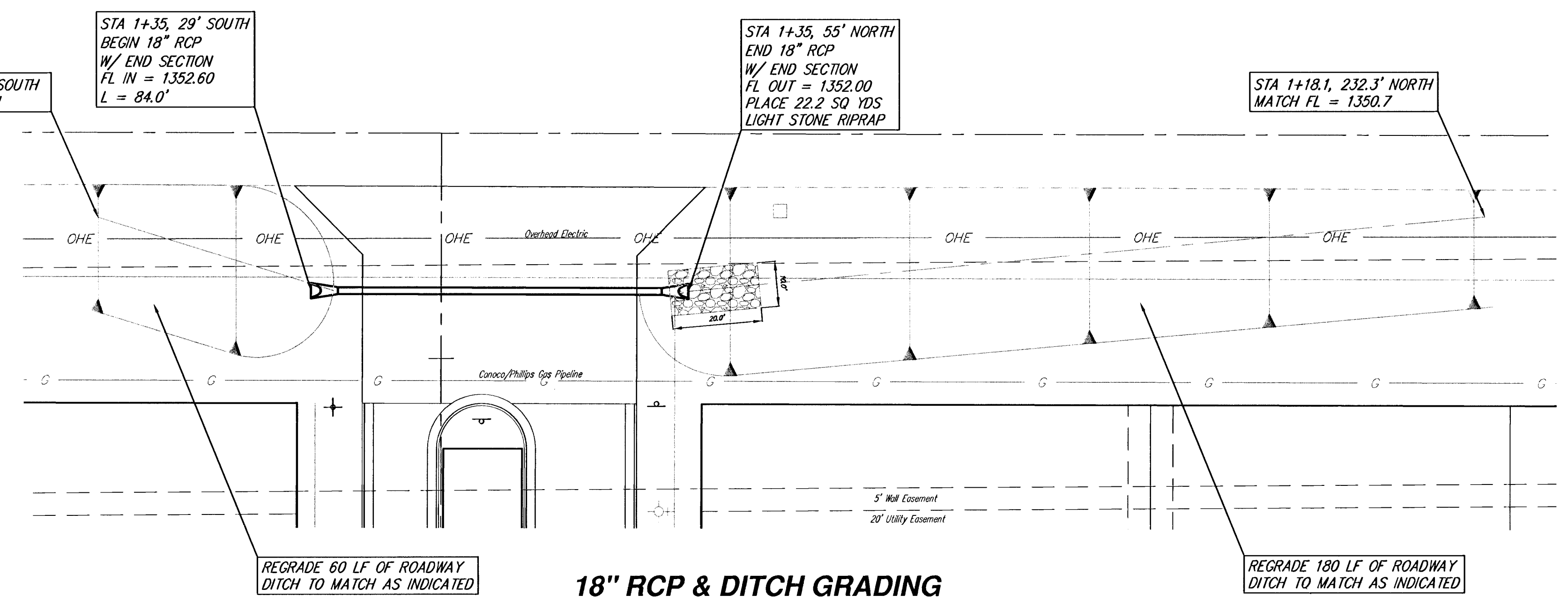
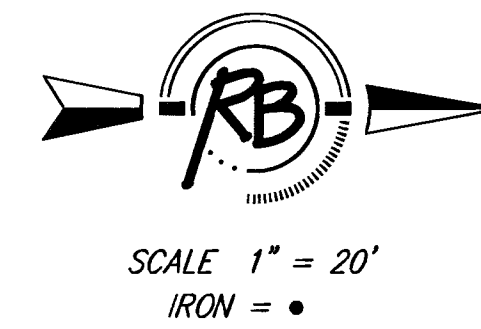
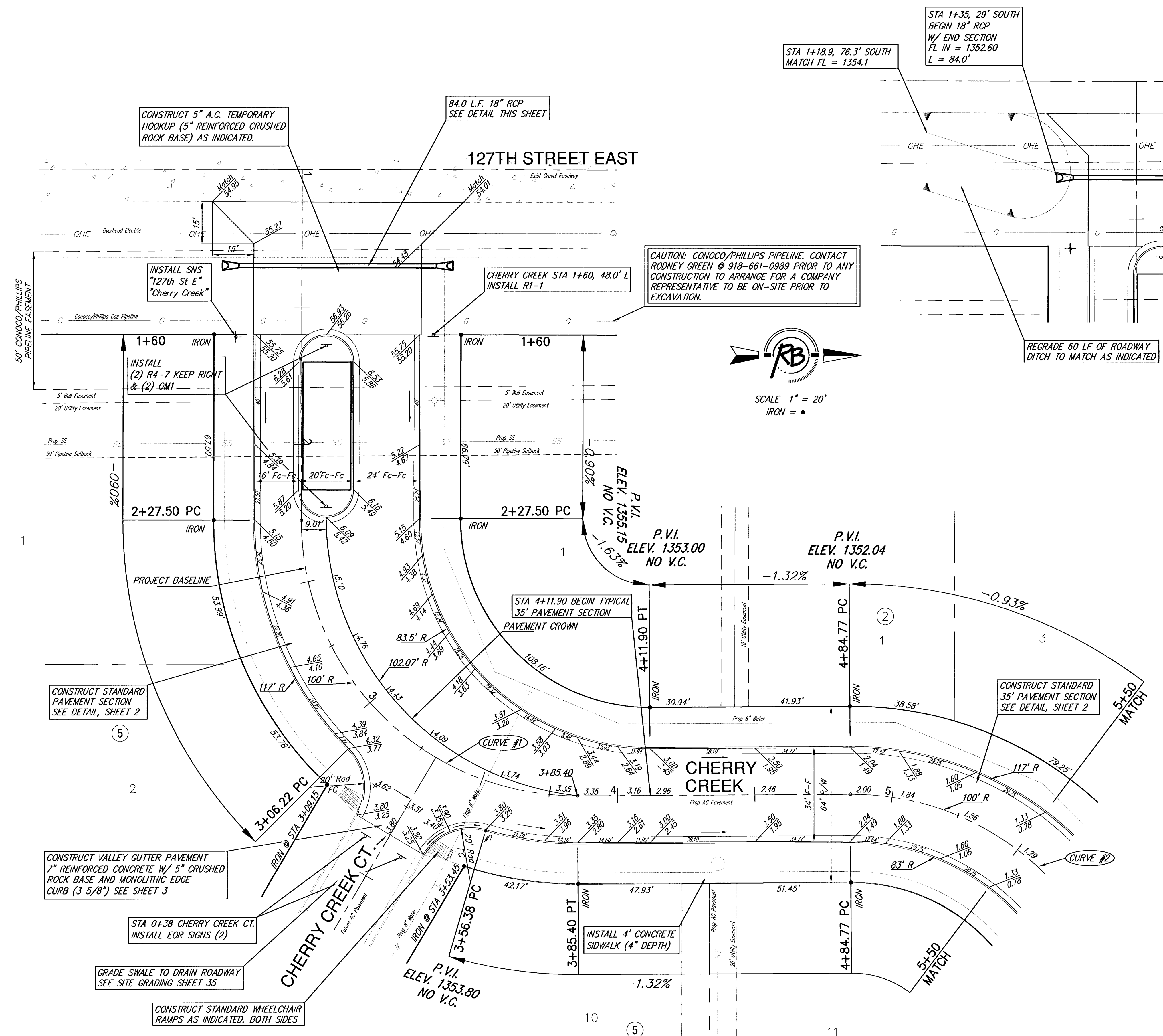


Subdivision Bench Marks

No.	Street and Station	From CL	Description	Elevation
1	Cherry Creek, Sta 3+56	17' Rt	Top of S curb of Cherry Creek at W end of N return Cherry Creek Ct	



Section through Median
* Not to Scale

NOTE: FOR CURVE DATA TABLES SEE SHEET 18

SIERRA HILLS STREET IMPROVEMENTS
Cherry Creek
WICHITA, KANSAS

Ruggles & Bohm, P.A.
Engineering, Surveying, Land Planning

924 North Main (316) 264-8008
Wichita, Kansas 67203 (316) 264-4621 fax
www.rbkansas.com E-mail: info@rbkansas.com

DESIGN	CMB	SHEET 6 OF 69
DRAWN	EJG	
REVIEW		
UTILITY		
DRAWING FILE	PROJECT NUMBER	
Paving [Cherry Creek 1]	472-83703	
DATE		
Apr. 22, 2003		

CONSTRUCT COMBINED ROLL TYPE CURB AND GUTTER (3 5/8") BOTH SIDES