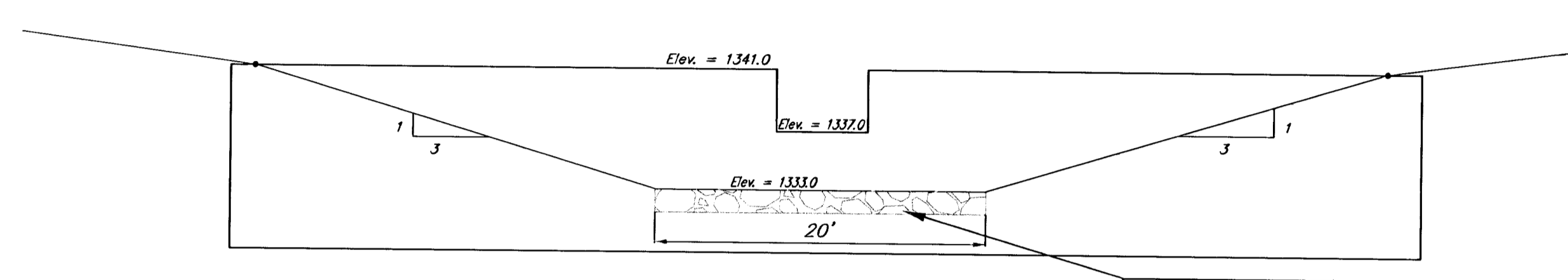


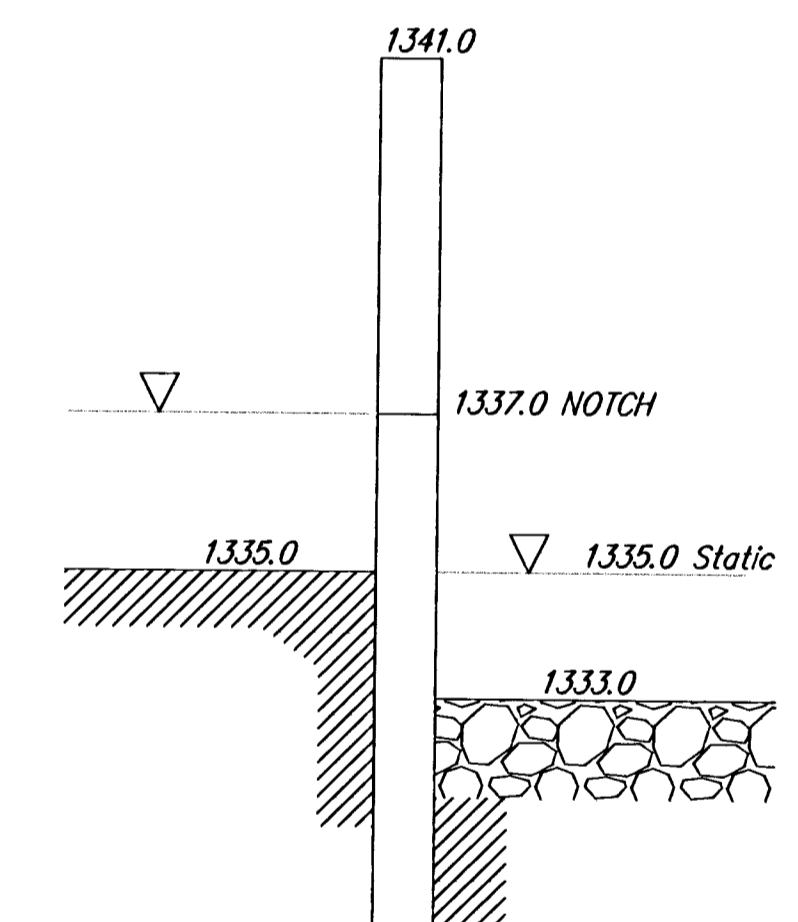
WEIR GRADING - UPSTREAM



WEIR GRADING - DOWNSTREAM

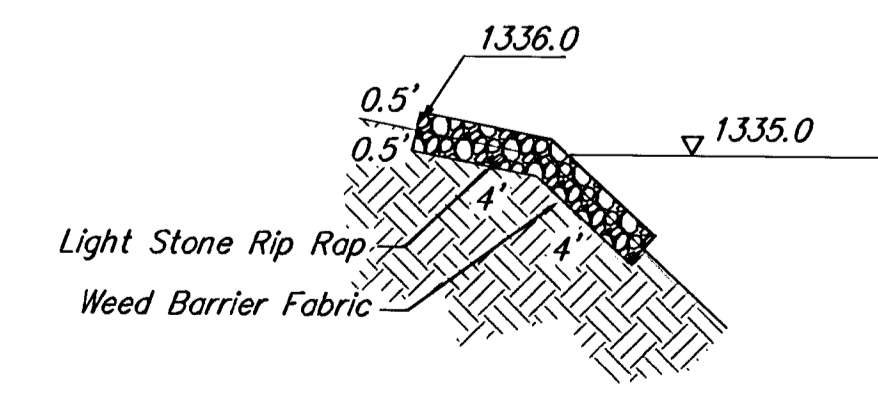
POND 01 DATA
 Pond Bottom Elev. = 1331.00
 Static Pool Elev. = 1337.0
 100yr Water Surface = 1340.0
 Qin (100yr) = 128 c.f.s.
 Qout (100yr) = 110 c.f.s.

.POND.	7042	7162.62	16514.73	1337.00	.POND.
.POND.	7041	7187.01	16526.81	1337.00	.POND.
.POND.	7040	7229.15	16538.20	1337.00	.POND.
.POND.	7039	7271.60	16549.82	1337.00	.POND.
.POND.	7038	7314.85	16561.49	1337.00	.POND.
.POND.	7037	7358.47	16573.36	1337.00	.POND.
.POND.	7036	7402.28	16585.88	1337.00	.POND.
.POND.	7035	7446.40	16598.02	1337.00	.POND.
.POND.	7034	7490.84	16610.86	1337.00	.POND.
.POND.	7033	7535.60	16624.36	1337.00	.POND.
.POND.	7032	7580.68	16638.46	1337.00	.POND.
.POND.	7031	7626.08	16653.11	1337.00	.POND.
.POND.	7030	7671.80	16668.34	1337.00	.POND.
.POND.	7029	7717.84	16684.14	1337.00	.POND.
.POND.	7028	7764.20	16700.54	1337.00	.POND.
.POND.	7027	7810.88	16717.54	1337.00	.POND.
.POND.	7026	7857.88	16735.14	1337.00	.POND.
.POND.	7025	7905.20	16753.34	1337.00	.POND.
.POND.	7024	7952.84	16772.14	1337.00	.POND.
.POND.	7023	8000.80	16791.54	1337.00	.POND.
.POND.	7022	8049.08	16811.54	1337.00	.POND.
.POND.	7021	8097.68	16832.14	1337.00	.POND.
.POND.	7020	8146.60	16853.34	1337.00	.POND.
.POND.	7019	8195.84	16875.14	1337.00	.POND.
.POND.	7018	8245.40	16897.54	1337.00	.POND.
.POND.	7017	8295.28	16920.54	1337.00	.POND.
.POND.	7016	8345.48	16944.14	1337.00	.POND.
.POND.	7015	8396.00	16968.34	1337.00	.POND.
.POND.	7014	8446.84	16993.14	1337.00	.POND.
.POND.	7013	8498.00	17018.54	1337.00	.POND.
.POND.	7012	8549.48	17044.54	1337.00	.POND.
.POND.	7011	8601.28	17071.14	1337.00	.POND.
.POND.	7010	8653.40	17098.34	1337.00	.POND.
.POND.	7009	8705.84	17126.14	1337.00	.POND.
.POND.	7008	8758.60	17154.54	1337.00	.POND.
.POND.	7007	8811.68	17183.54	1337.00	.POND.
.POND.	7006	8865.08	17213.14	1337.00	.POND.
.POND.	7005	8918.80	17243.34	1337.00	.POND.
.POND.	7004	8972.84	17274.14	1337.00	.POND.
.POND.	7003	9027.20	17305.54	1337.00	.POND.
.POND.	7002	9081.88	17337.54	1337.00	.POND.
.POND.	7001	9136.88	17370.14	1337.00	.POND.
.POND.	7000	9192.20	17403.34	1337.00	.POND.

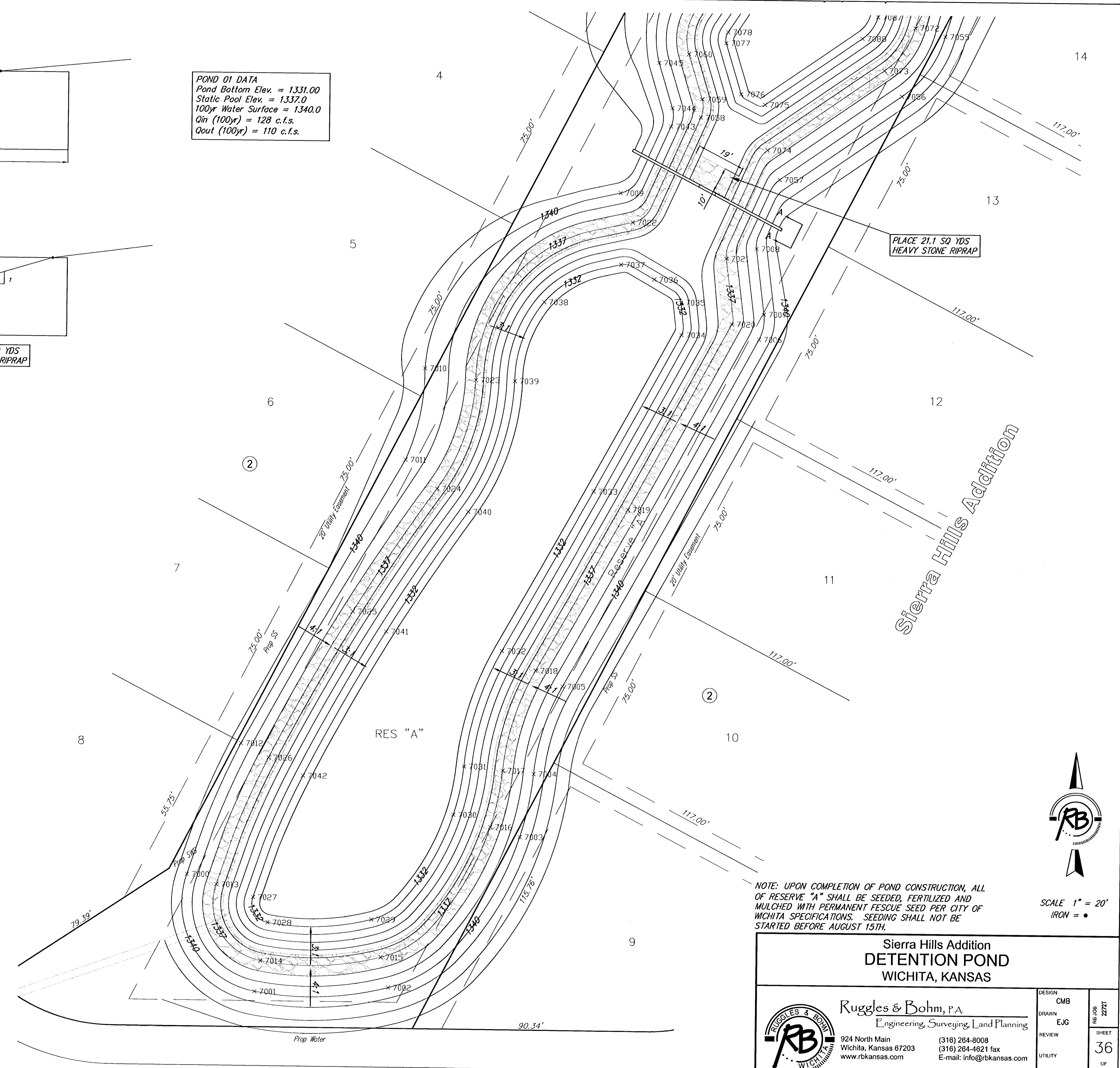


SECTION A-A

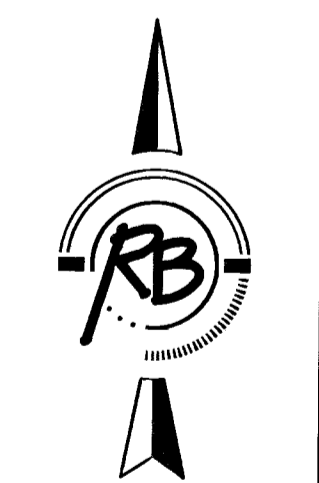
Pond Coordinates



LIGHT STONE RIP RAP DETAIL



NOTE: UPON COMPLETION OF POND CONSTRUCTION, ALL OF RESERVE "A" SHALL BE SEED, FERTILIZED AND MULCHED WITH PERMANENT FESCUE SEED PER CITY OF WICHITA SPECIFICATIONS. SEEDING SHALL NOT BE STARTED BEFORE AUGUST 15TH.



Sierra Hills Addition DETENTION POND WICHITA, KANSAS	
 Ruggles & Bohm, P.A. Engineering, Surveying, Land Planning 924 North Main Wichita, Kansas 67203 www.rbkansas.com (316) 264-8008 (316) 264-4621 fax E-mail: info@rbkansas.com	DESIGN: CMB DRAWN: E.J.G. REVIEW: UTILITY: DATE: Feb. 20, 2002
DRAWING FILE: pond {Pond Plan} PROJECT NUMBER: 472-83703	SHEET: 36 OF: 69