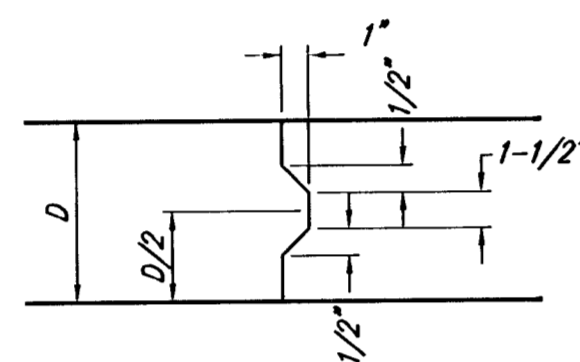
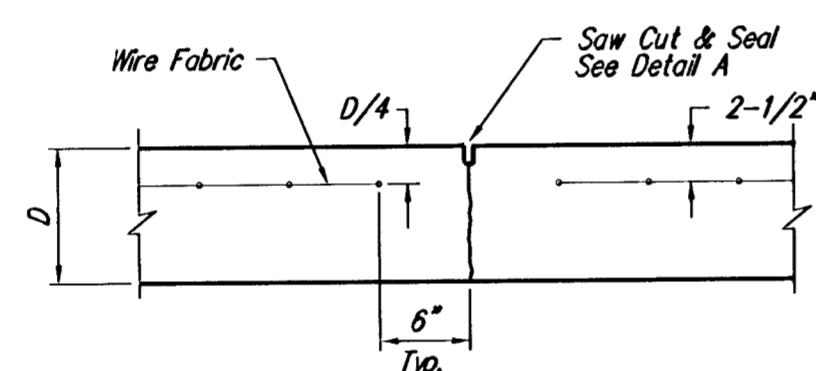


EXPANSION JOINT

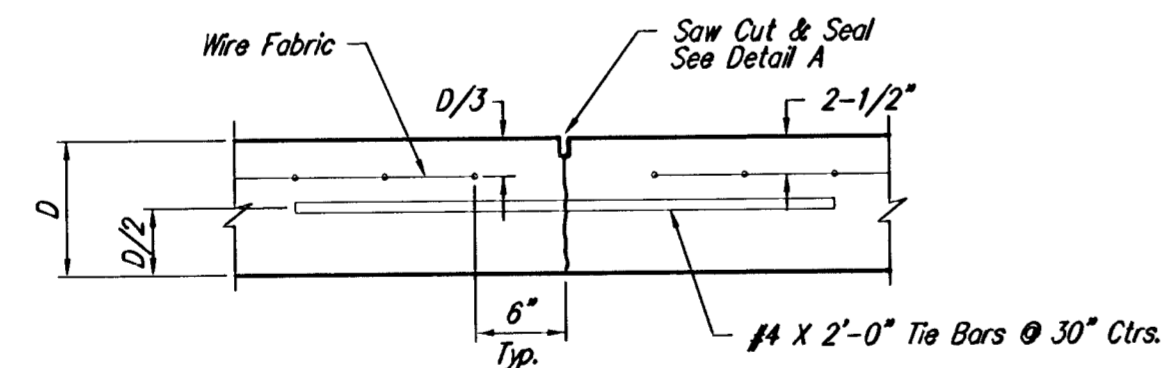
NOTE: Extra Thickness to be Subsidiary to Price of Square Yards Pavement



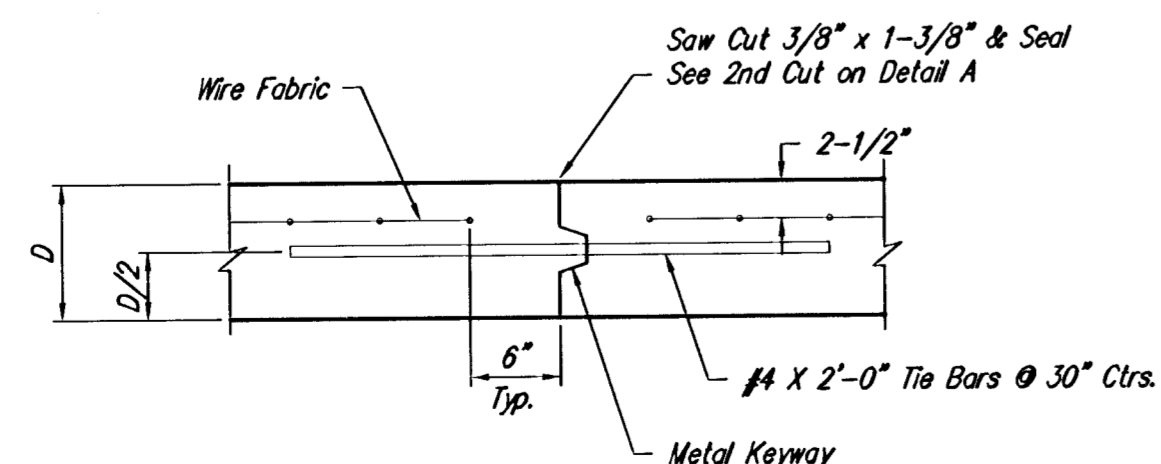
KEYWAY DETAIL



CONTRACTION JOINT DETAIL (C.J.)

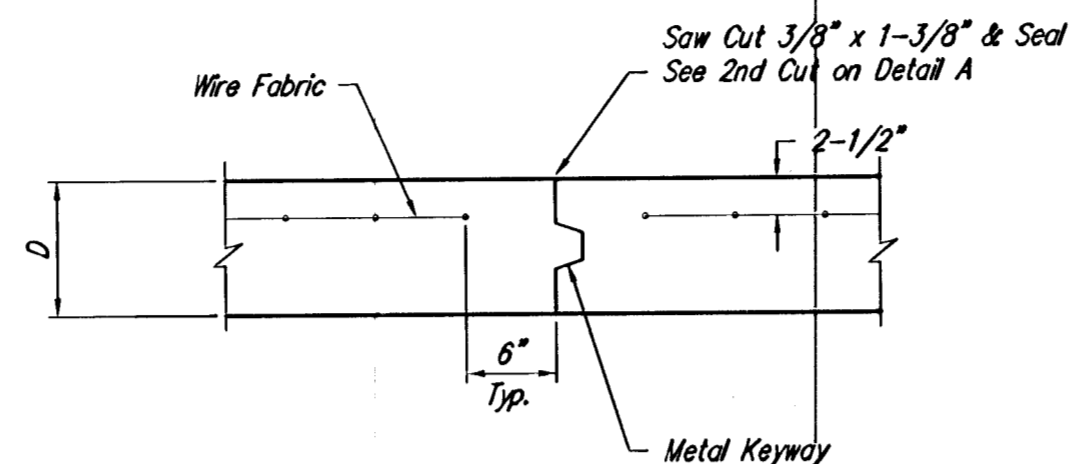


LONGITUDINAL JOINT DETAIL (L.J.)

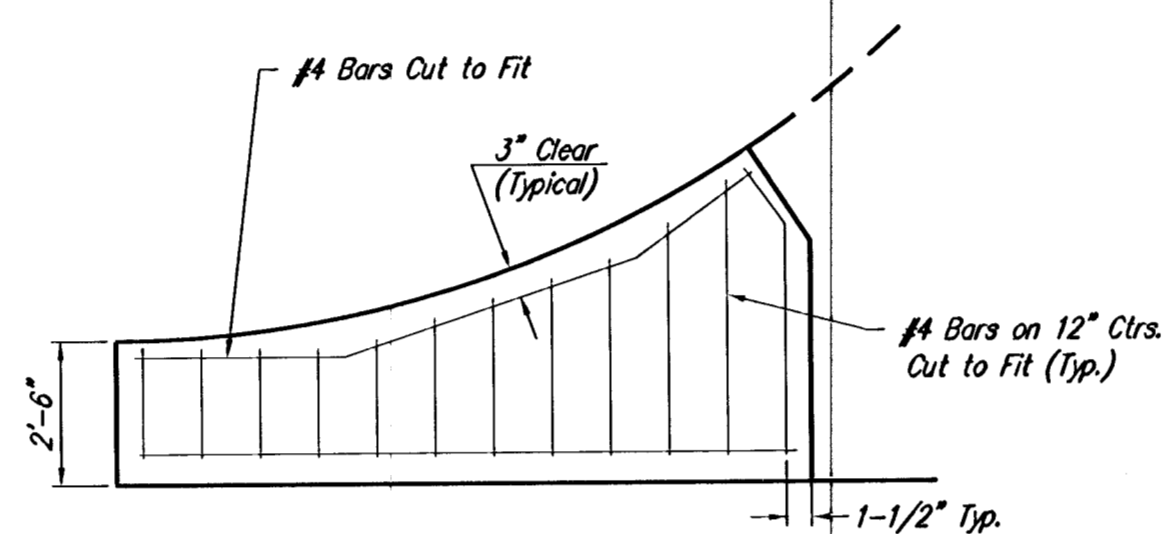


OPTIONAL LONGITUDINAL JOINT DETAIL (L.J.)

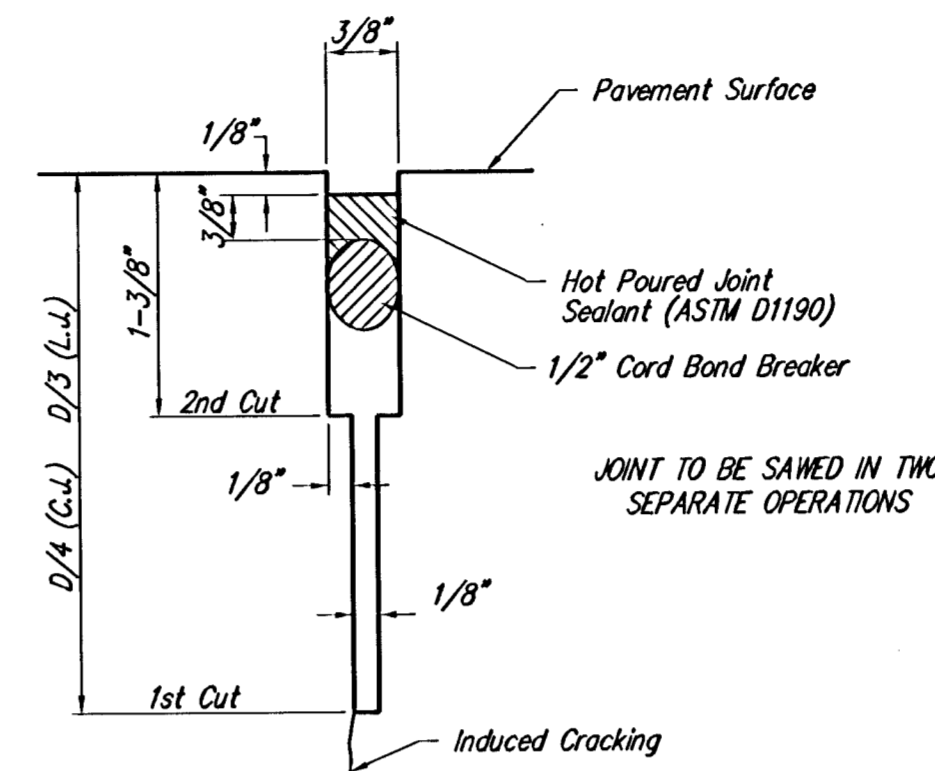
$D = 5''$



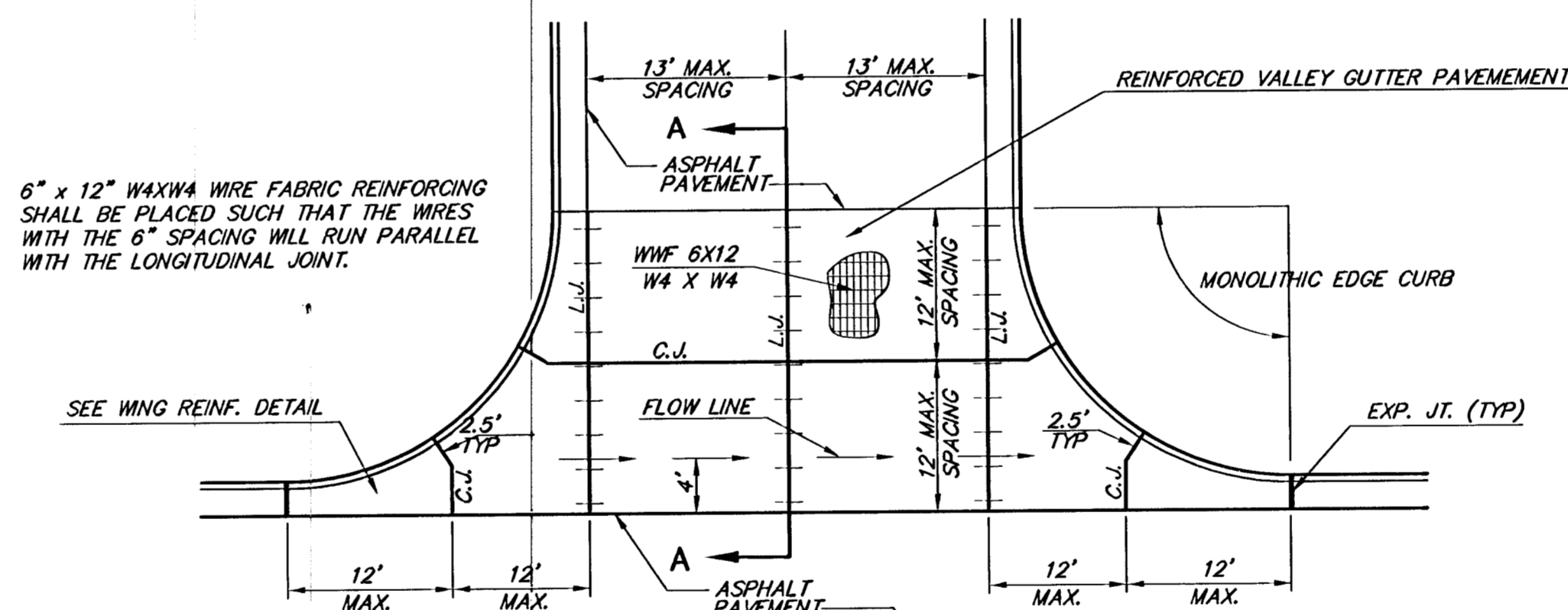
OPTIONAL CONTRACTION JOINT



WING REINFORCING DETAIL

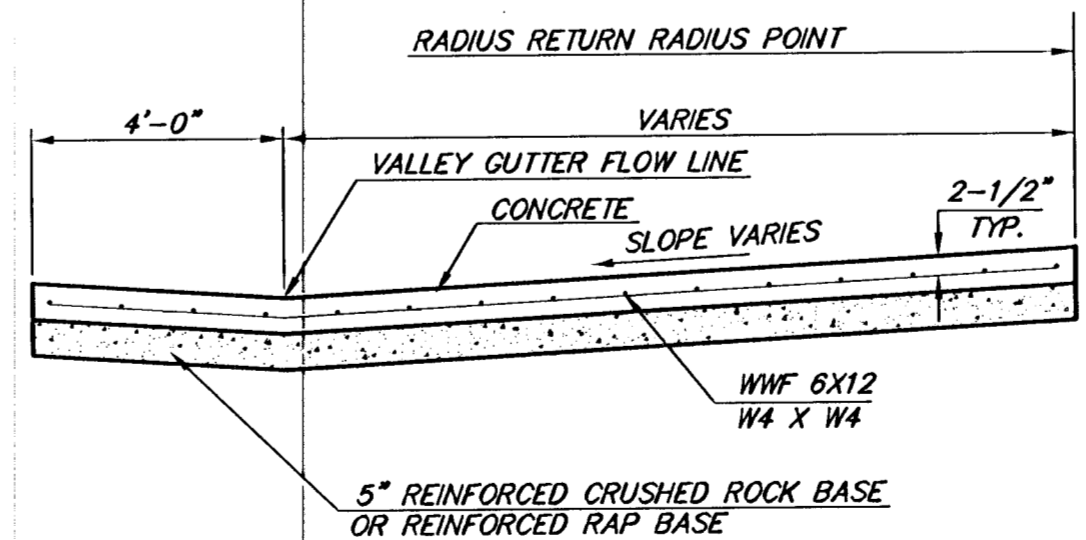


SAW JOINT DETAIL



PLAN

6" x 12" WAXWA WIRE FABRIC REINFORCING SHALL BE PLACED SUCH THAT THE WIRES WITH THE 6" SPACING WILL RUN PARALLEL WITH THE LONGITUDINAL JOINT.



SECTION A-A

REINFORCED VALLEY GUTTER DETAIL

THE CITY OF WICHITA

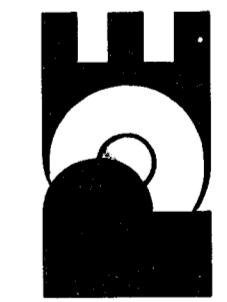
 CITY ENGINEER'S OFFICE
 CITY HALL - SEVENTH FLOOR
 405 NORTH MAIN STREET
 WICHITA, KANSAS 67202
 (316) 244-4001
 (316) 244-4114 FAX

REINFORCED CONCRETE VALLEY GUTTER DETAILS	
DESIGNED BY: JML/JPD	
DRAWN BY: JPD	
PROJECT NUMBER: 472-83430	
INDEX CODE: 765969	
DATE: MAR 96	SHEET 66 OF 78

FINAL

DESIGNED BY: JML/JPD
 DRAWN BY: JPD
 PROJECT NO.: 472-83430
 SHEET NO.: 66 OF 78
 DATE: JANUARY 2006

POE & ASSOCIATES, INC.
 CONSULTING ENGINEERS
 5940 E. Central, Suite 200 • Wichita, KS 67208-4242
 Phone 316.685-4114 • FAX 316.685-4444



EQUESTRIAN ESTATES ADDITION - PHASE 2
 STREET IMPROVEMENTS
 VALLEY GUTTER DETAILS
 CITY OF WICHITA, KANSAS
 JAMES L. ARMOUR, P.E. - CITY ENGINEER
 C.O.M. Project # 472-83430 O.C.A. # 765969

NO. DATE BY APPROVED REVISION