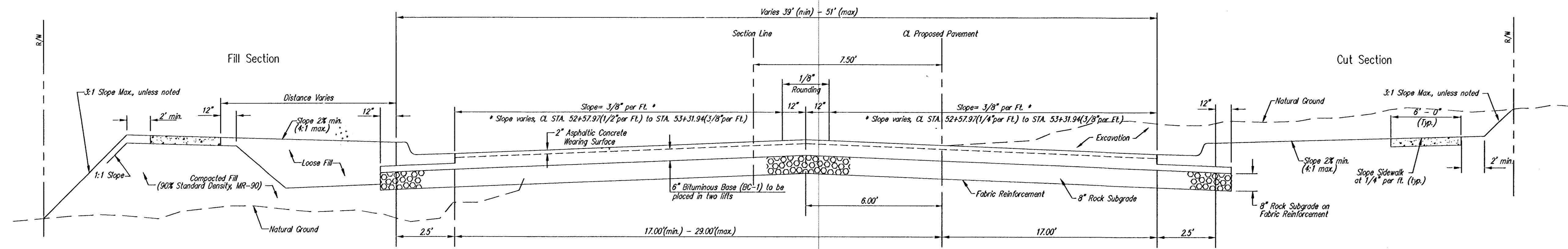


FHWA REGION NO.	STATE	PROJECT NO.	YEAR	SHEET NO.	TOTAL SHEETS
7	KANSAS	87 N-0137-01	99	4	94

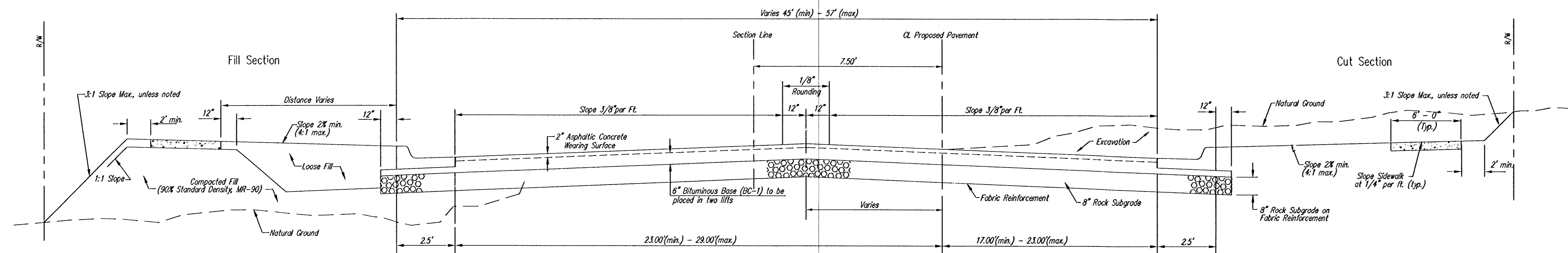
TYPICAL PAVEMENT SECTION
(CL STA. 52+57.97 TO STA. 56+00.00)

TRANSVERSE SECTION



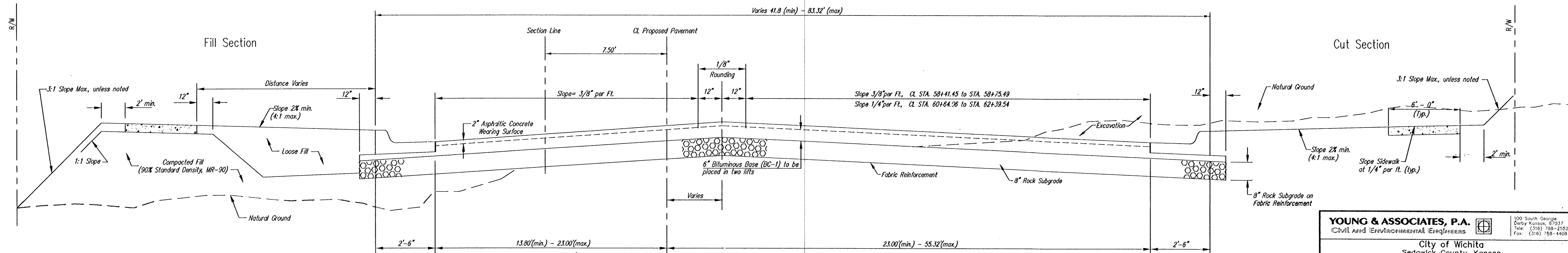
TYPICAL PAVEMENT SECTION
(CL STA. 56+00.00 TO STA. 58+41.58)

TRANSVERSE SECTION



TYPICAL PAVEMENT SECTION
(CL STA. 58+41.58 TO STA. 62+39.54)

TRANSVERSE SECTION



YOUNG & ASSOCIATES, P.A.
Civil and Environmental Engineers

100 South Georgia
Daly, Kansas, 67037
Tel: (316) 798-2552
Fax: (316) 798-4408

City of Wichita
Sedgewick County, Kansas

TYPICAL PAVEMENT SECTIONS
w/ 8" Asphaltic Concrete Pavement
w/ Crushed Rock Base and Fabric Reinforcement

29th Street North from Oliver Street to Woodlawn Avenue
Street, Decal Lane, and Storm Drainage Improvements

Project No. 472-82787 and 472-82355 Engr.: CRY Tech.: DAS, DIM
Y&A Proj. No.: 96-035-002 Scale: no scale
Date: April 1999 Sheet No. 4 of 94

FILE: E:\PROJECTS\472-82787-01\DRAWING\472-82787-01.dwg