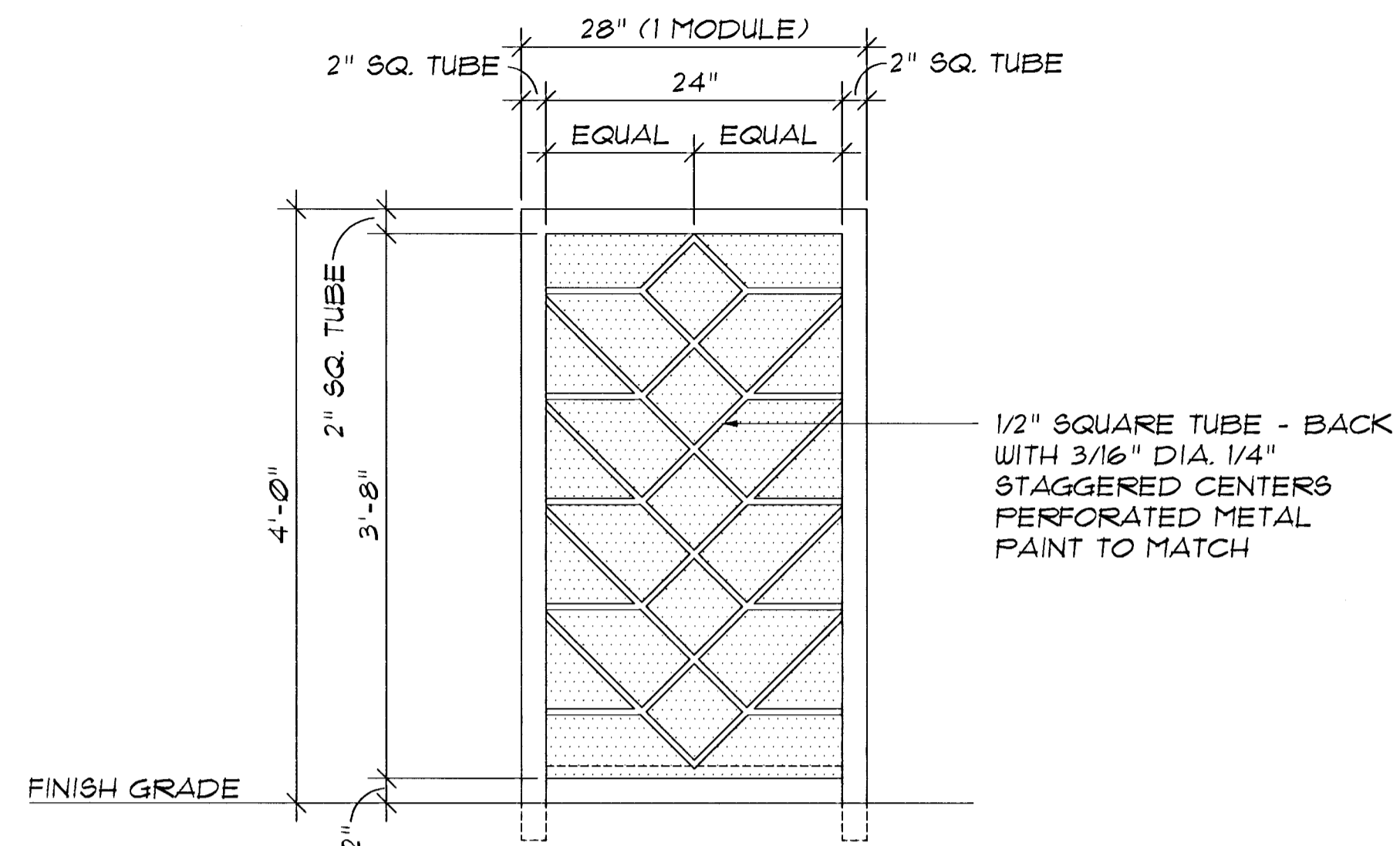


**5 DETAIL AT PEDESTAL**

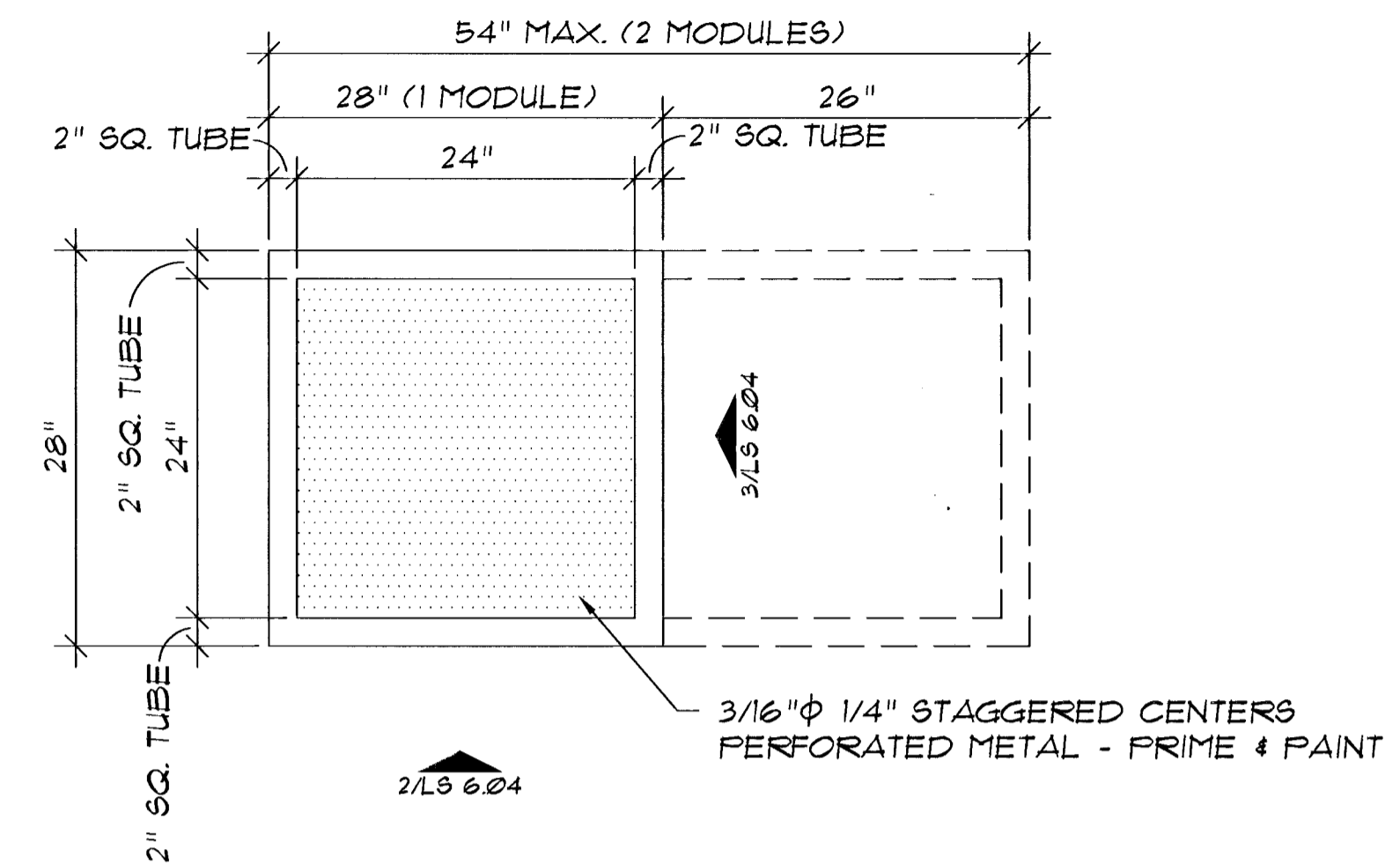
1" = 1'-0"



**3 SIDE ELEVATION**

1" = 1'-0"

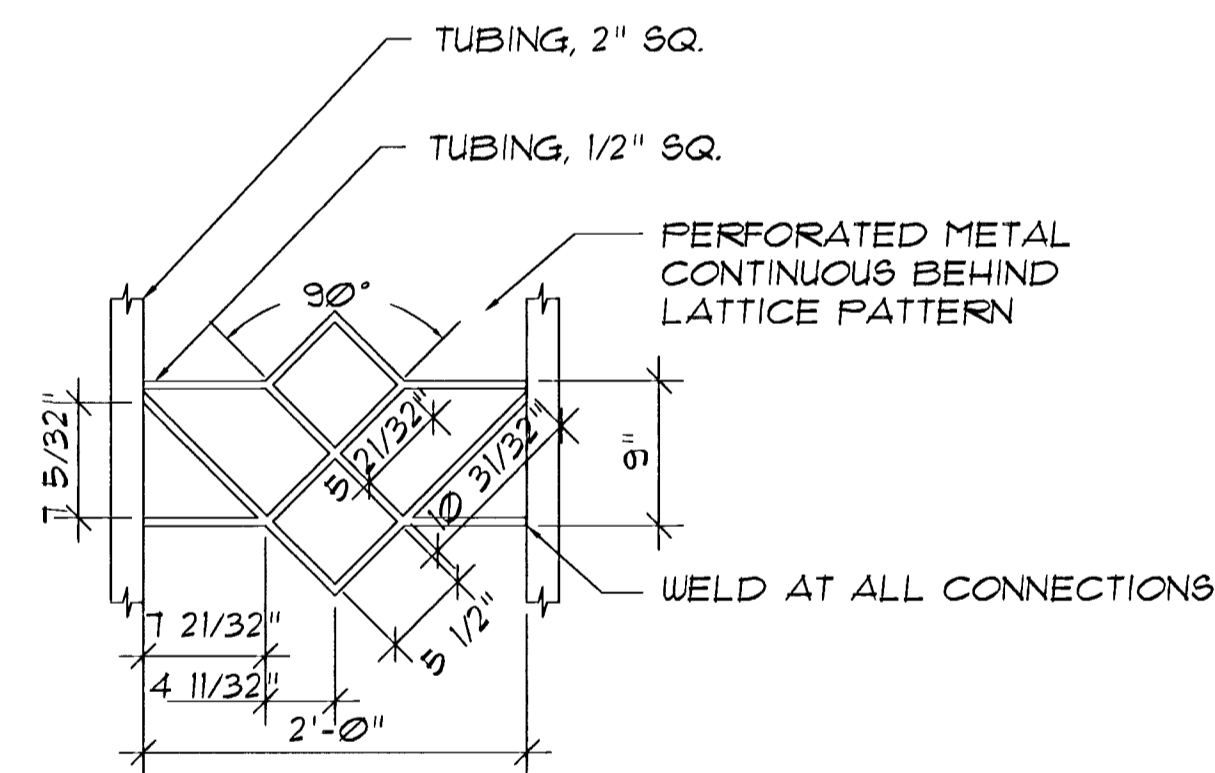
NOTE: TYPICAL 3 ELEVATIONS



**1 PLAN VIEW**

1" = 1'-0"

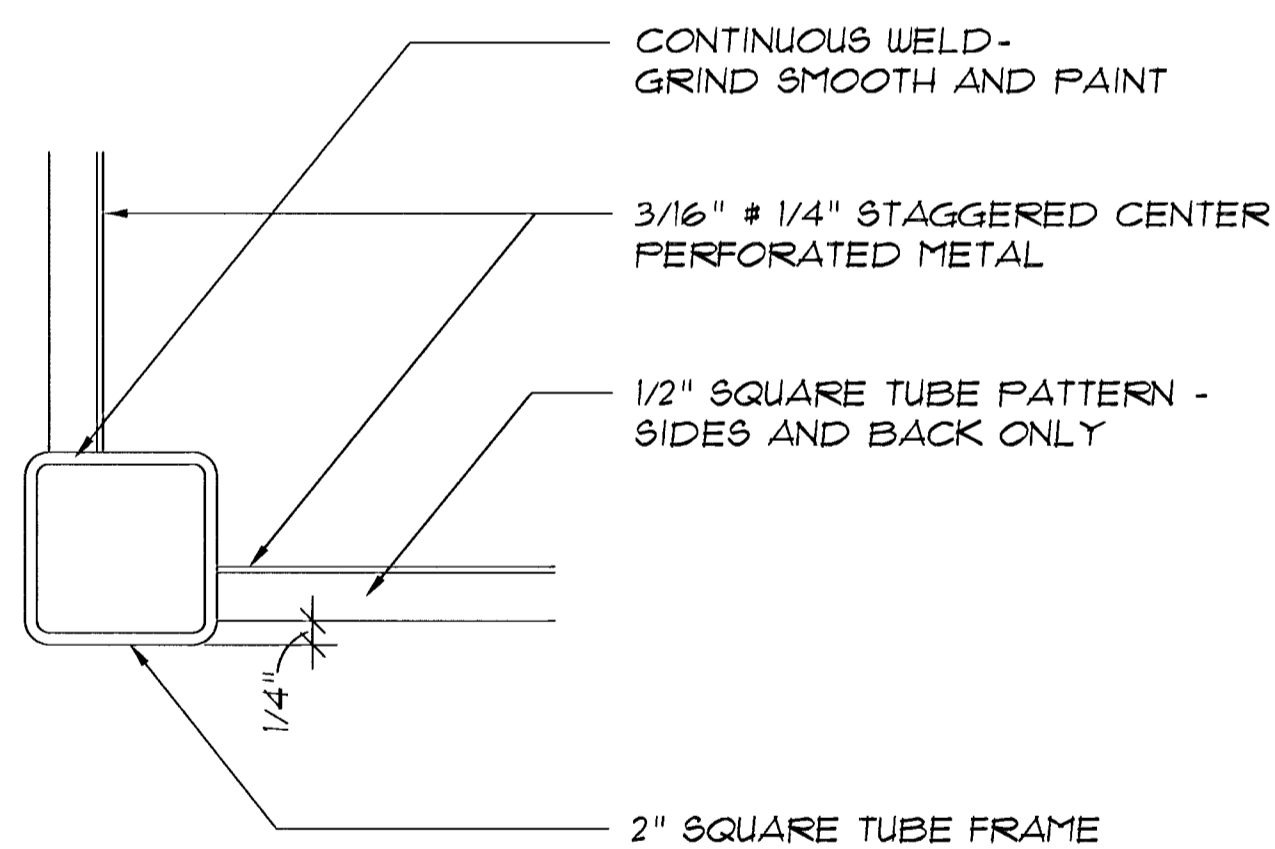
NOTE: FRONT ELEVATION - ORIENT TO SIDEWALK



NOTE: GRIND ALL WELDS SMOOTH AND PAINT

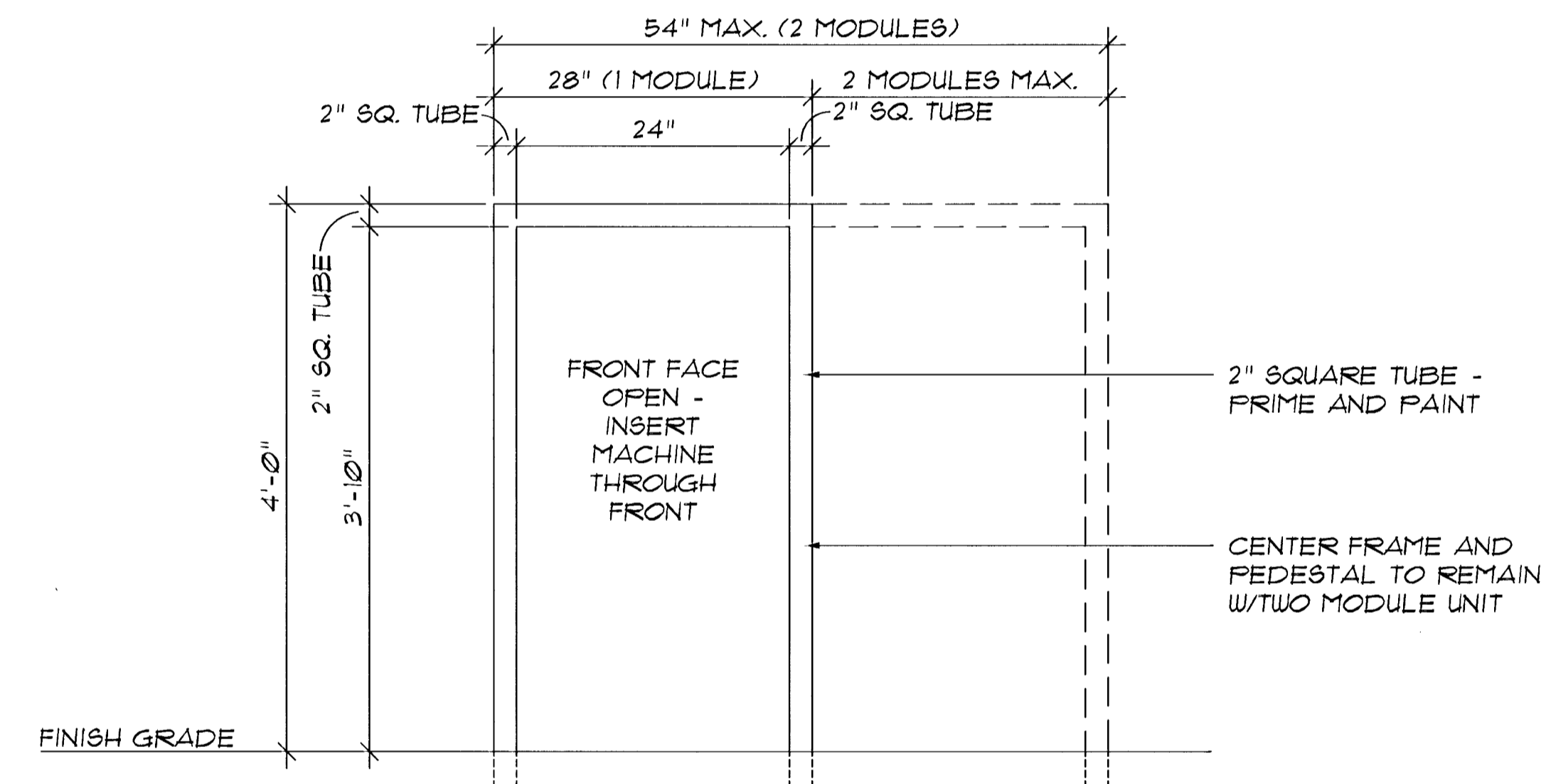
**6 LATTICE PATTERN**

1" = 1'-0"



**4 DETAIL AT FRAME**

1" = 1"



**2 FRONT ELEVATION**

1" = 1'-0"

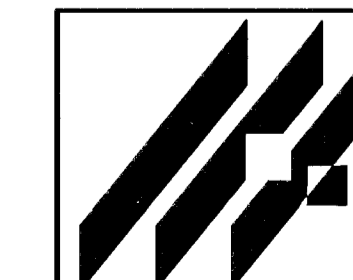
NOTE: COORDINATE FINAL LOCATIONS WITH CITY OF WICHITA PRIOR TO INSTALLATION

SEE CHANGES TO STREET FURNISHINGS LAYOUT, SHEET LS 605.

REVISED 4/99

**the swa group**

Landscape Architecture 2211 N. Lamar, Suite 400  
Site Planning Dallas, TX 75202  
Urban Design 214-954-0016



**DOUGLAS STREETSCAPES**

PROJECT NAME

**NEWSPAPER STAND ENCLOSURE**

SHEET TITLE

MID-KANSAS ENGINEERING CONSULTANTS, INC.  
411 N. WEBB ROAD  
WICHITA, KS. 67206  
316-684-9600

DT  
DESIGN BY:  
OCT '95  
DATE

PM, EM, LJ  
DRAWN BY:  
SMA\_MKC-251  
JOB NO.

JM  
CHECKED BY:  
LS 6.04  
SHEET/OF