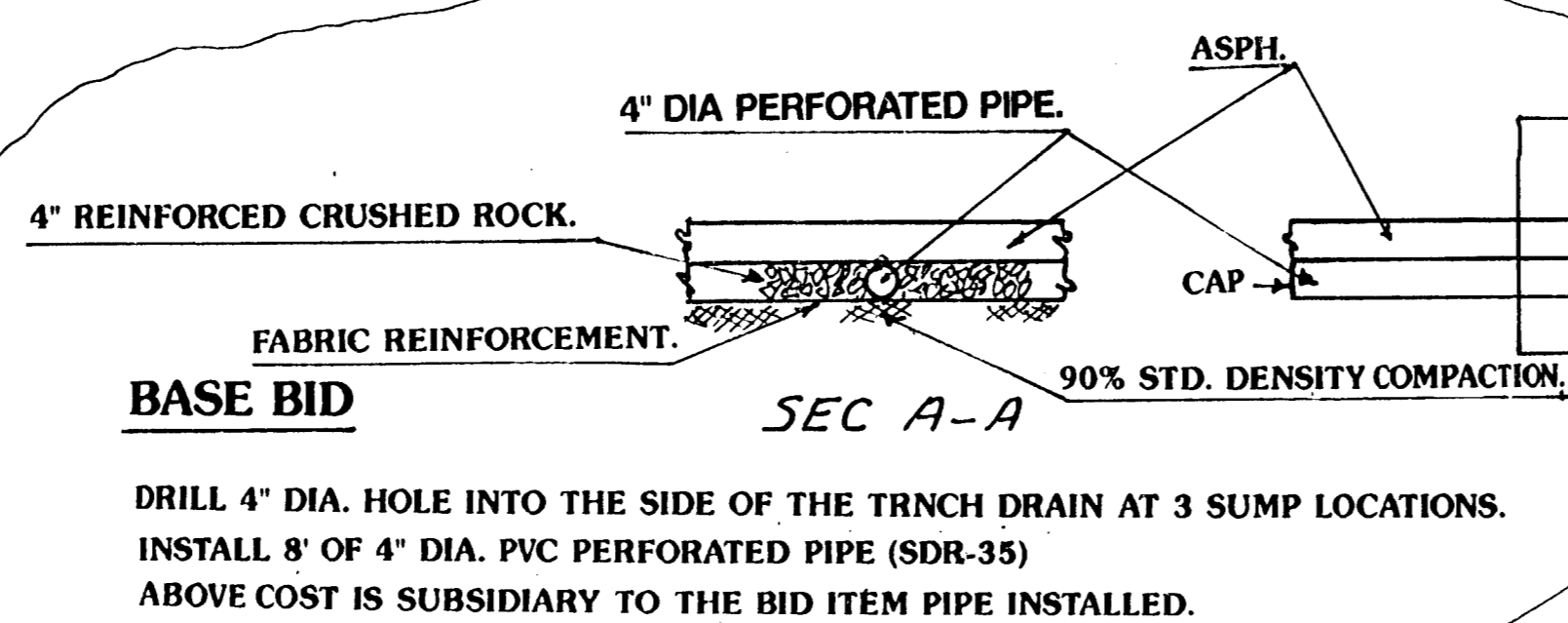
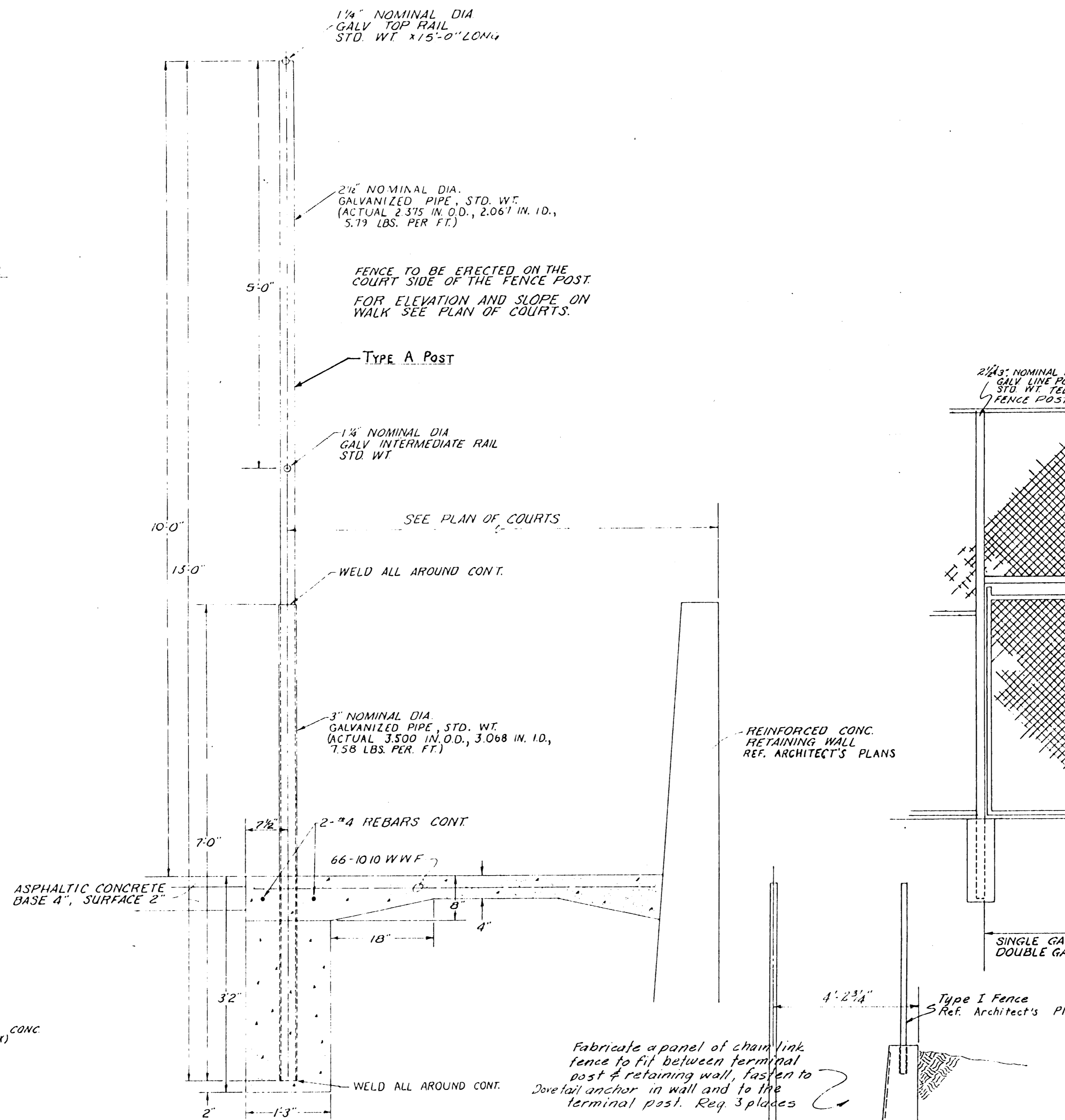
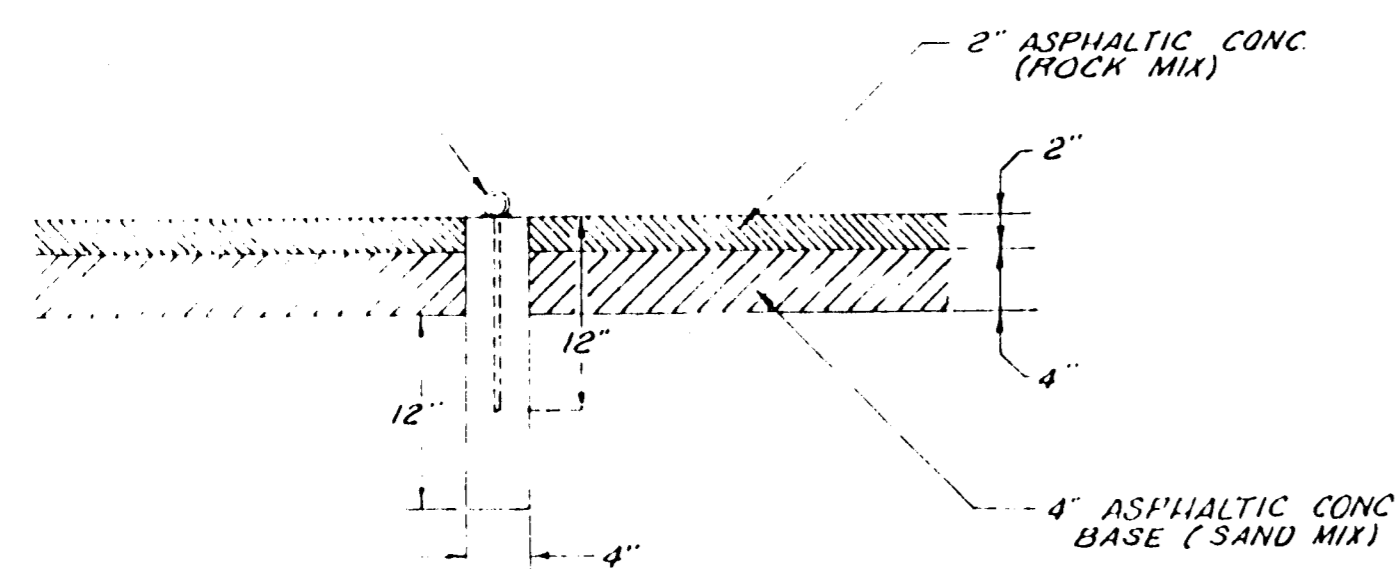
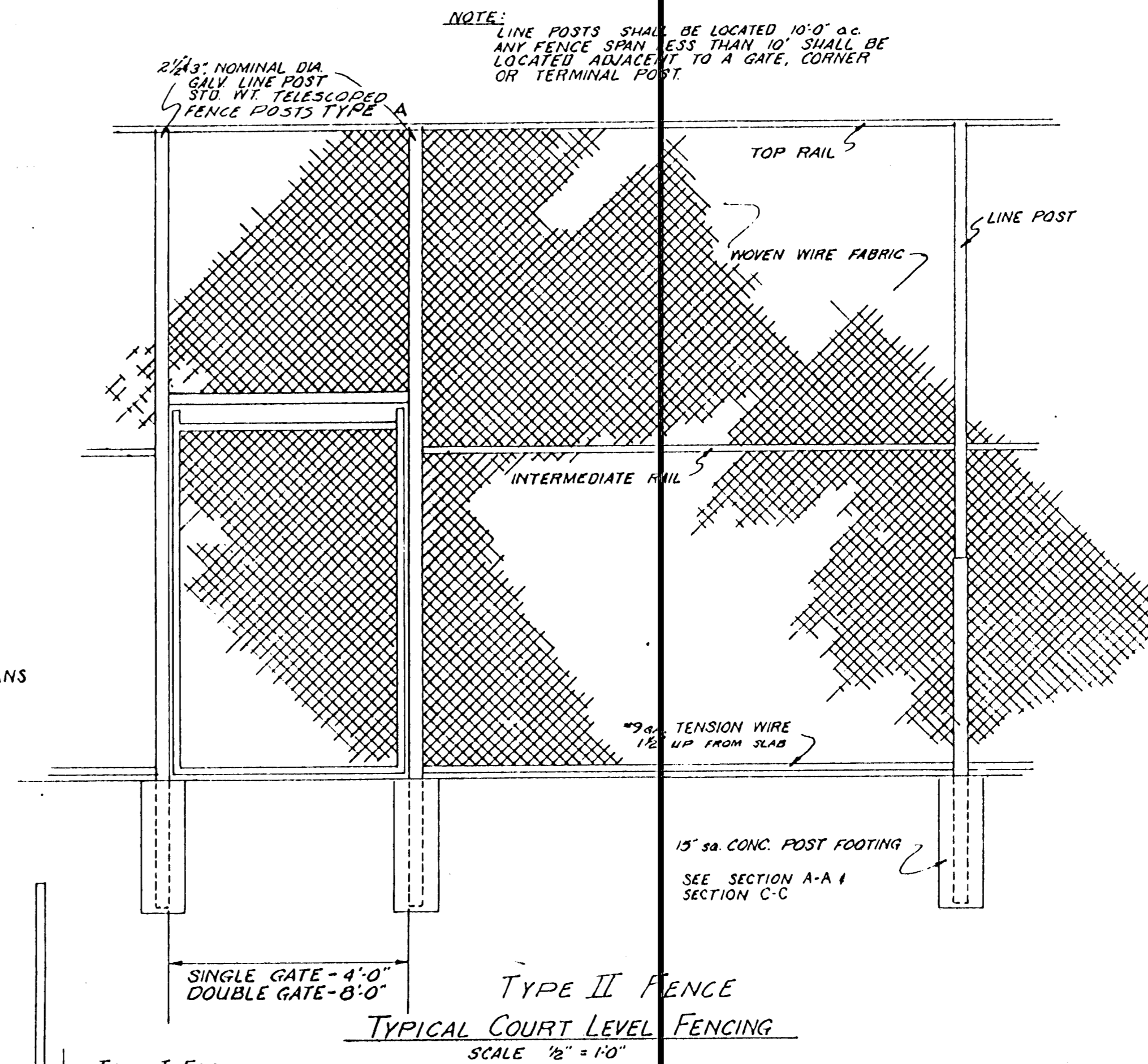


WASHER BELOW ANCHOR RING SHALL BE SET ON GRADE. RING SHALL BE GALV. A MIN. OF 1/2" DIA.



BASE BID

DRILL 4" DIA. HOLE INTO THE SIDE OF THE TRNCH DRAIN AT 3 SUMP LOCATIONS. INSTALL 8' OF 4" DIA. PVC PERFORATED PIPE (SDR-35) ABOVE COST IS SUBSIDIARY TO THE BID ITEM PIPE INSTALLED.



DETAILS			
SOUTH RIVERSIDE PARK			
INDEX # 785469			
BOARD OF PARK COMMISSIONERS WICHITA, KANSAS.			
DATE	DRAWN	SCALE	SHEET
	D.R.R.		5 OF 6