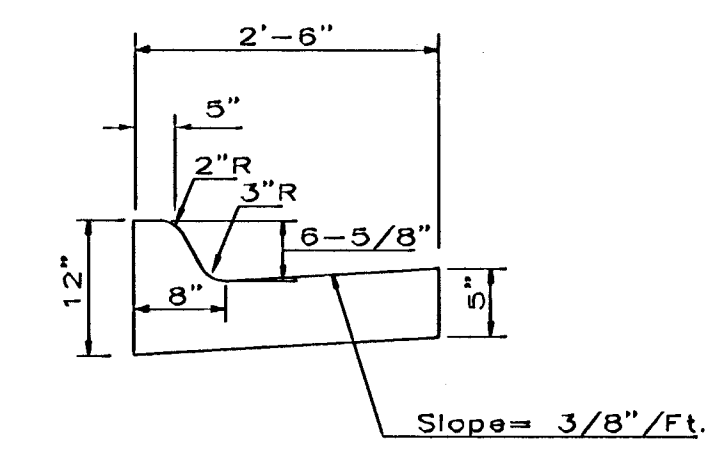
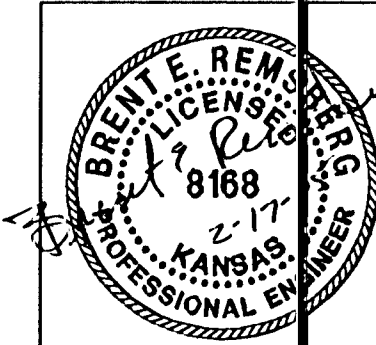


Extend Concrete Monolithic with Curb and Cutter to abut Existing Pavement. This work to be subsidiary to "Combined Curb and Gutter (6 5/8" & 1 1/2")"



DSNR: BER OPER: SAW SCALE: 1=10.00  
 J:\SENTOUT\2004\04276\2005-02-16 to City\DWG\05-Typical Pavement Section 02-17-2005 08:31:31 am



Revision	By	Date
NEWMARKET SQUARE CENTRAL PARK WIDENING <b>TYPICAL PAVEMENT SECTION</b> JAMES L. ARMOUR, P.E., ACTING CITY ENGINEER CITY OF WICHITA PROJECT NO. 472-84048 <b>Professional Engineering Consultants, P.A.</b> 303 S. TOPEKA • WICHITA, KANSAS 67202 316-262-2691 • FAX 316-262-3003		
Designed by BER	Job No. 35-04276-0042	SH. 5 of 18
Drawn by SAW, TRQ	Date JULY 2004	