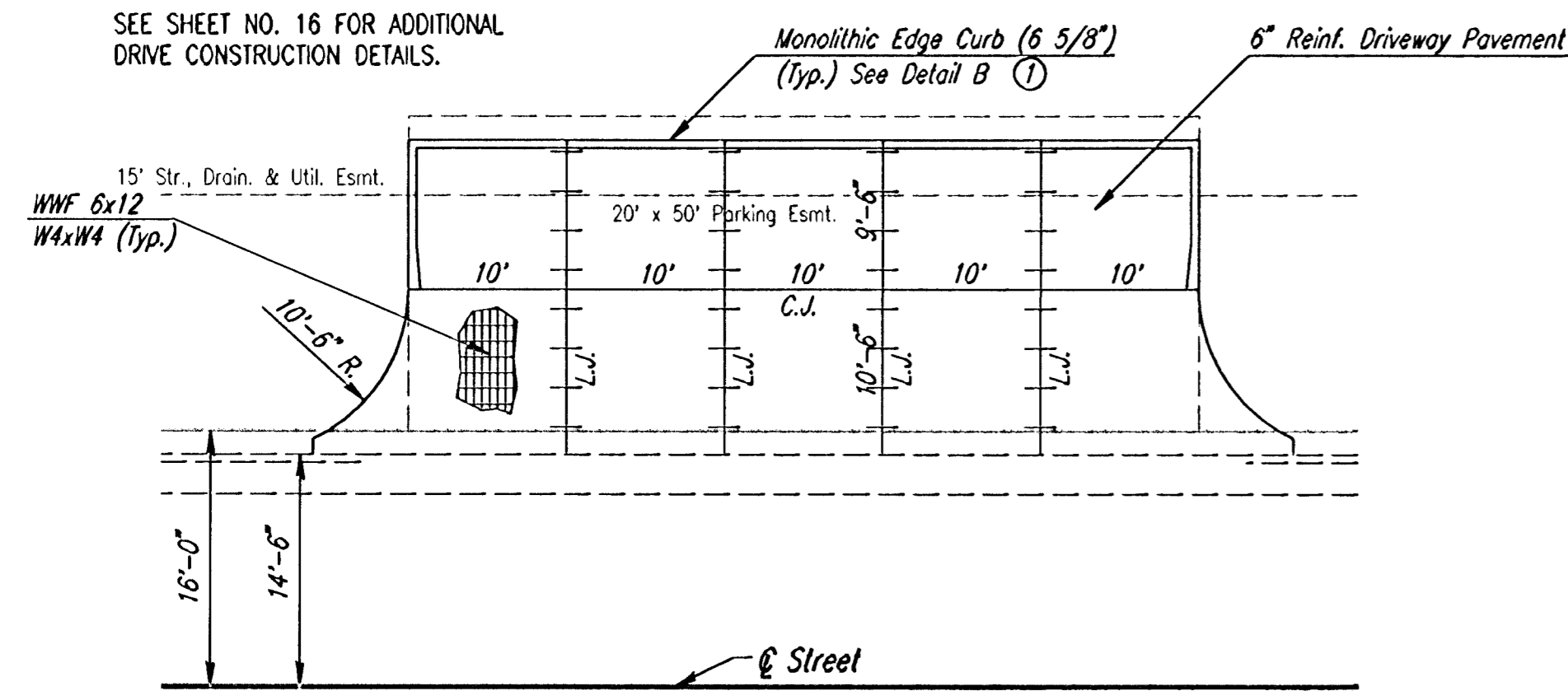


6" x 12" W4xW4 WIRE FABRIC REINFORCING SHALL BE PLACED SUCH THAT THE WIRES WITH THE 6" SPACING WILL RUN PARALLEL WITH THE LONGITUDINAL JOINT.

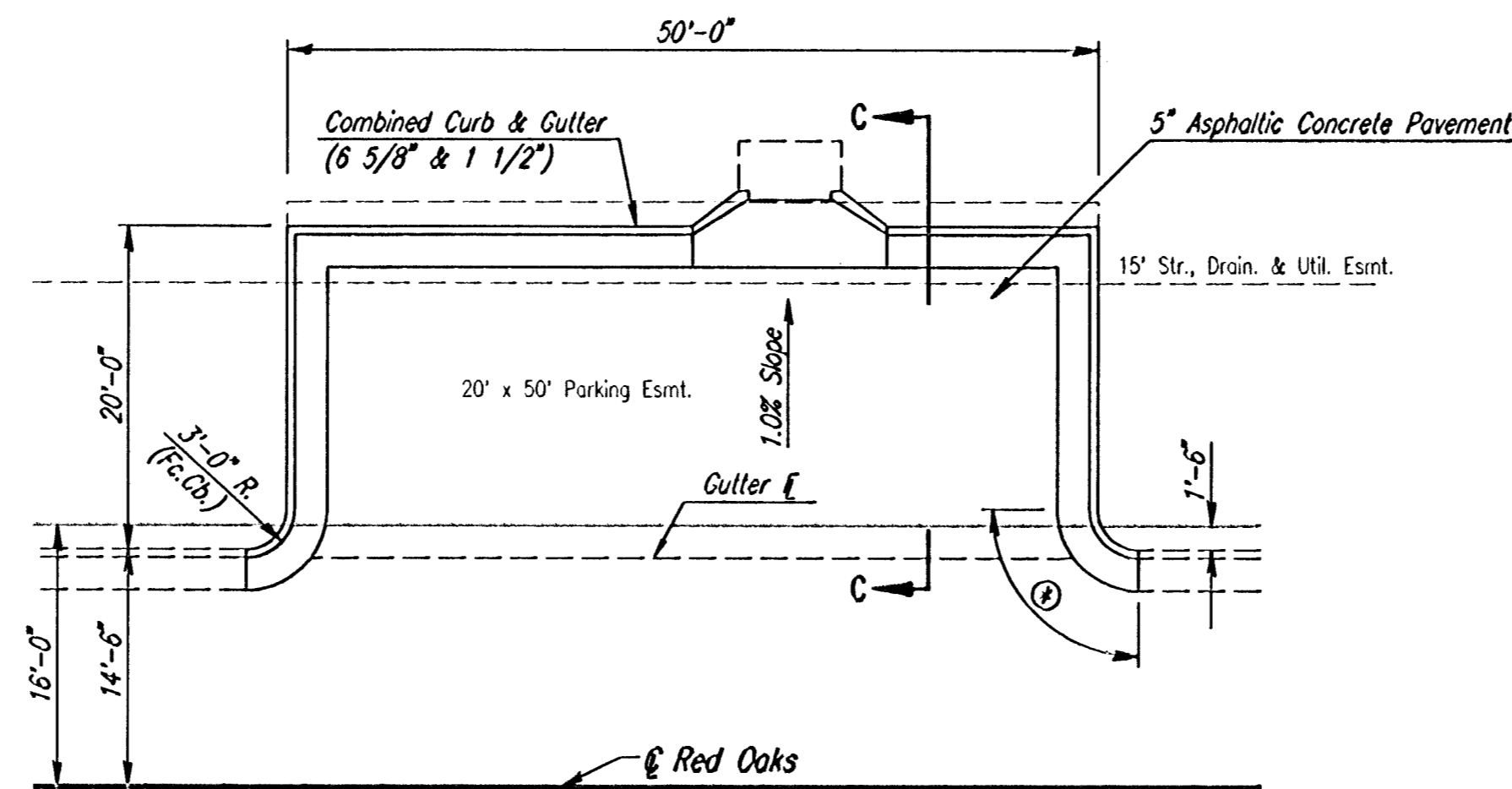
SEE SHEET NO. 14 FOR JOINT DETAILS.

SEE SHEET NO. 16 FOR ADDITIONAL DRIVE CONSTRUCTION DETAILS.



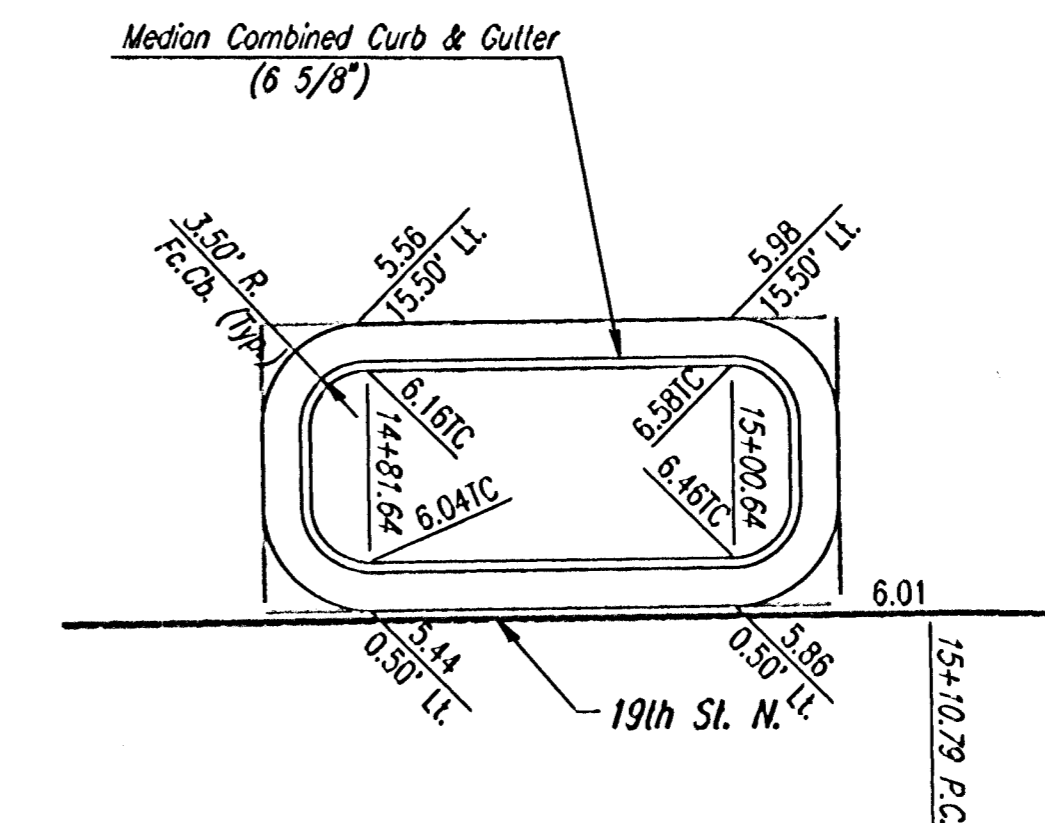
DRIVEWAY DETAILS

① MONOLITHIC EDGE CURB SHALL BE SUBSIDIARY TO "6" DRIVEWAY CONCRETE PAVEMENT.



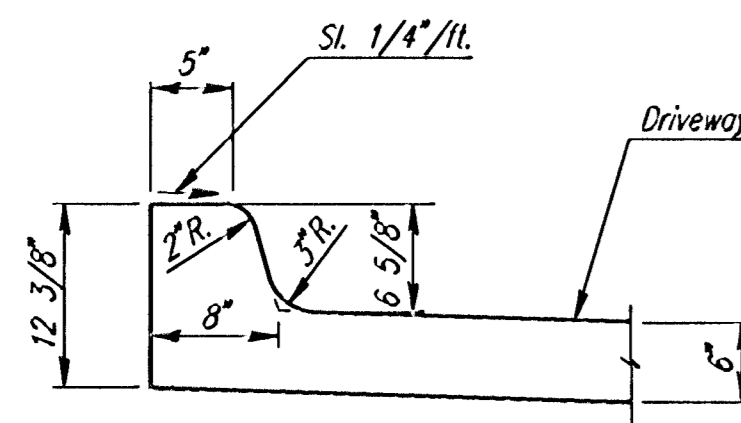
DRIVEWAY DETAILS

② TRANSITION FROM COMBINED CURB AND GUTTER (3 5/8" ROLL & 1 1/2") TO COMBINED CURB AND GUTTER (6 5/8" & 1 1/2"). TO BE BID AND PAID FOR AS "COMBINED CURB AND GUTTER (6 5/8" & 1 1/2)".

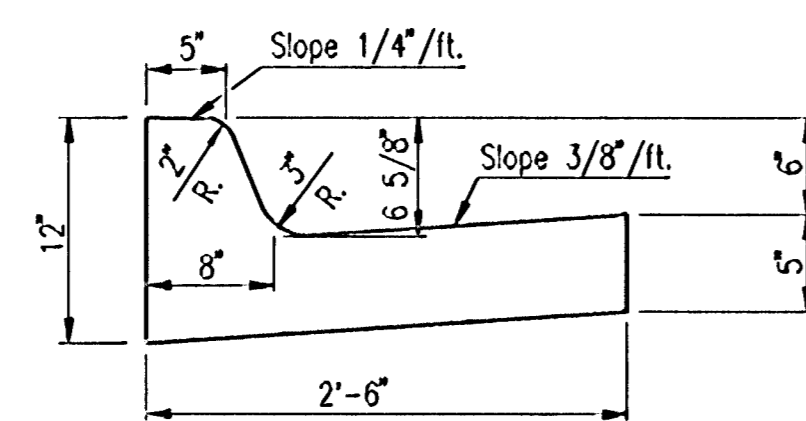


ISLAND DETAILS

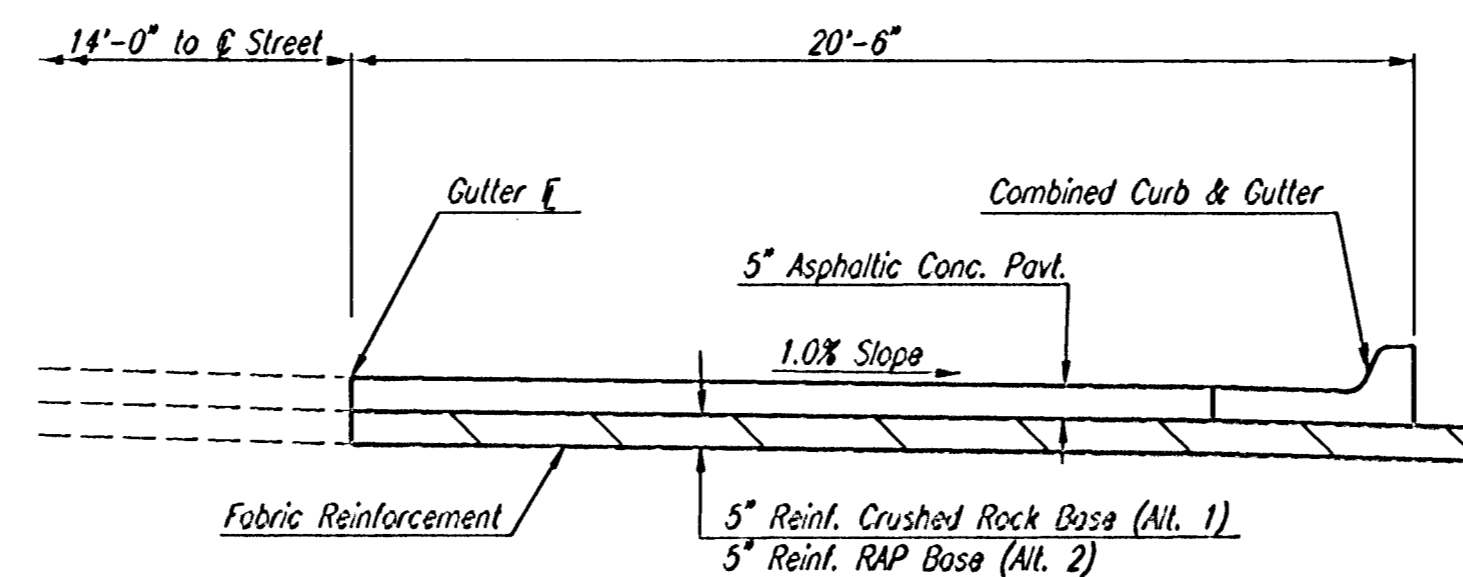
Reserve "M"



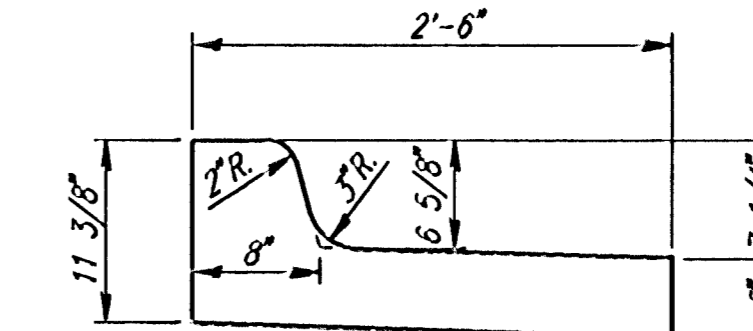
DETAIL B  
(6 5/8")



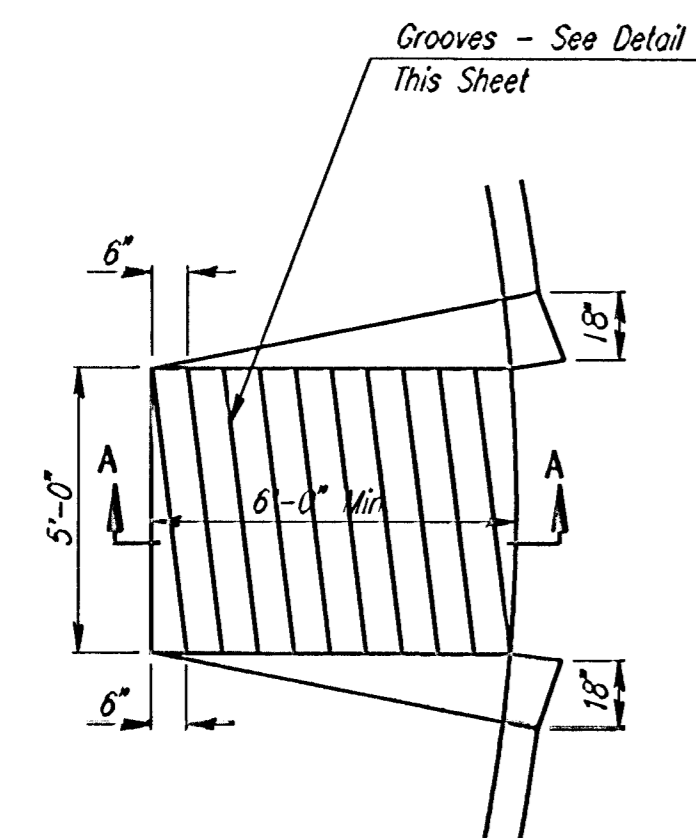
STANDARD COMBINED CURB & GUTTER  
(6 5/8")



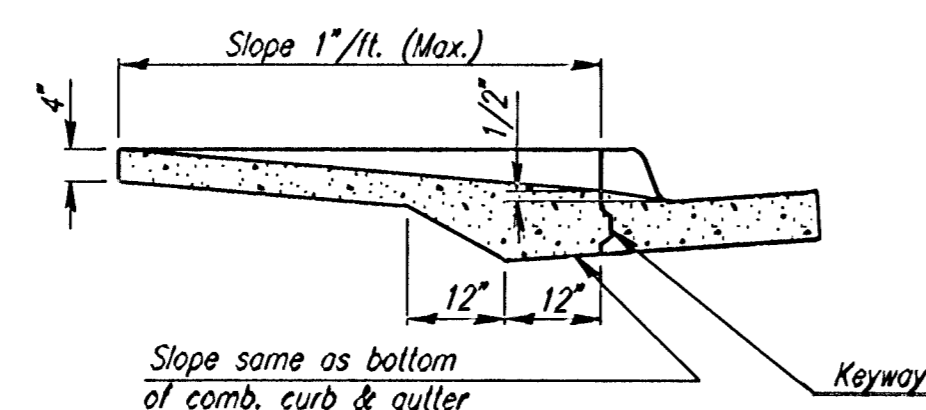
SECTION C-C



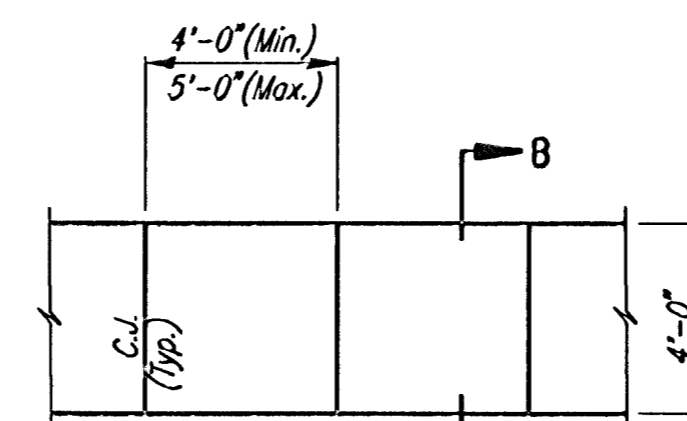
MEDIAN COMBINED CURB & GUTTER  
(6 5/8")



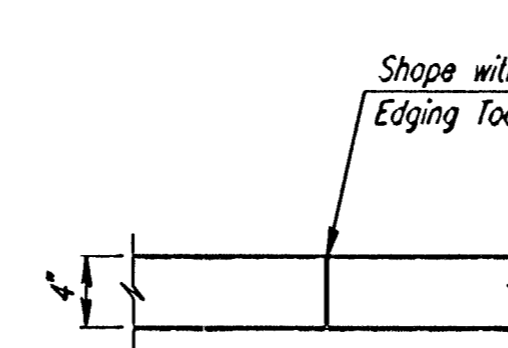
WHEELCHAIR RAMP DETAIL



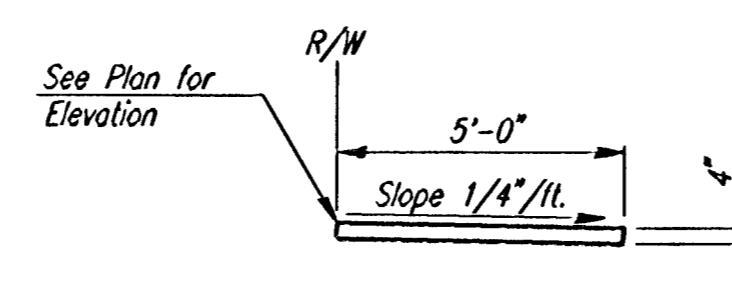
SECTION A-A



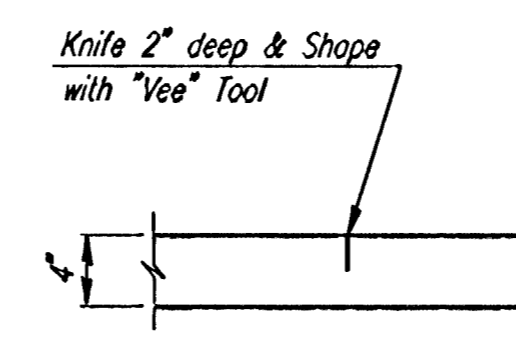
PLAN



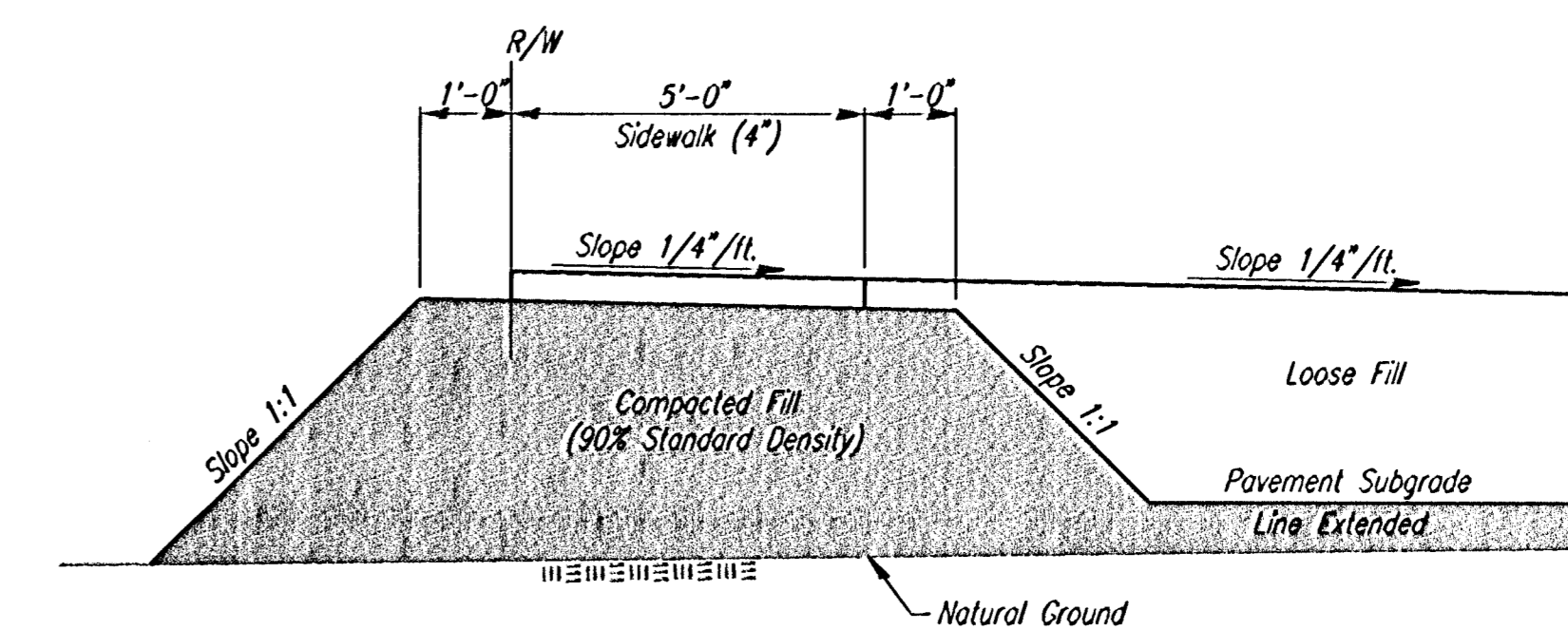
CONSTRUCTION JOINT



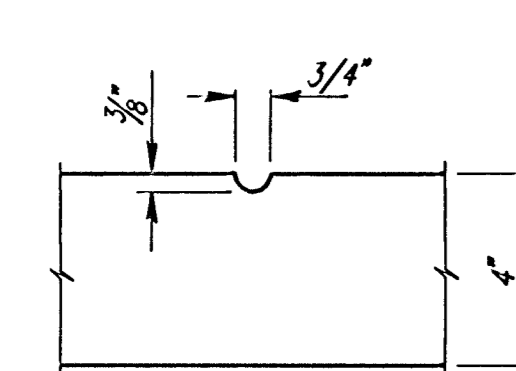
SECTION B-B



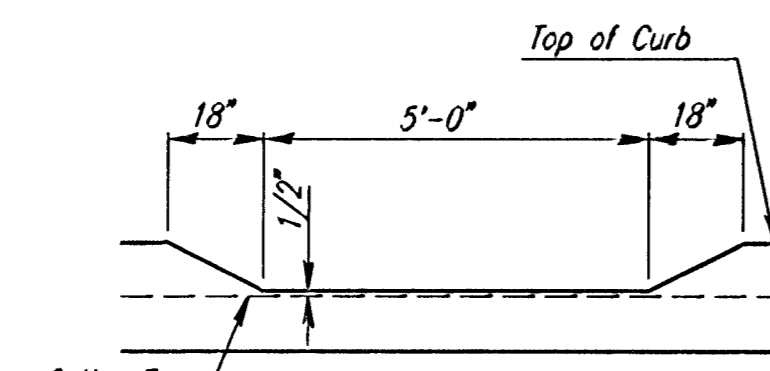
CONTRACTION JOINT



COMPACTED FILL DETAIL  
WHERE SIDEWALK IS CONSTRUCTED  
(See Plan Sheets for Locations)



GROOVE DETAIL



DEPRESSED CURB DETAIL

TYPICAL WHEELCHAIR RAMP DETAILS

4" WALK DETAILS

Revisions		By	Date
No.			
<b>REMINGTON PLACE-PHASE I</b> <b>CITY OF WICHITA, KANSAS</b> <b>MISCELLANEOUS PAVING</b> <b>DETAILS</b>			
<b>Professional Engineering Consultants, P.A.</b> 303 S. TOPEKA • WICHITA, KANSAS 67202 316-262-2691 • FAX 316-262-3003			
Designed by	BER	Checked by	
Drawn by	BJS	Date	JUNE 2001
		Job No.	01158