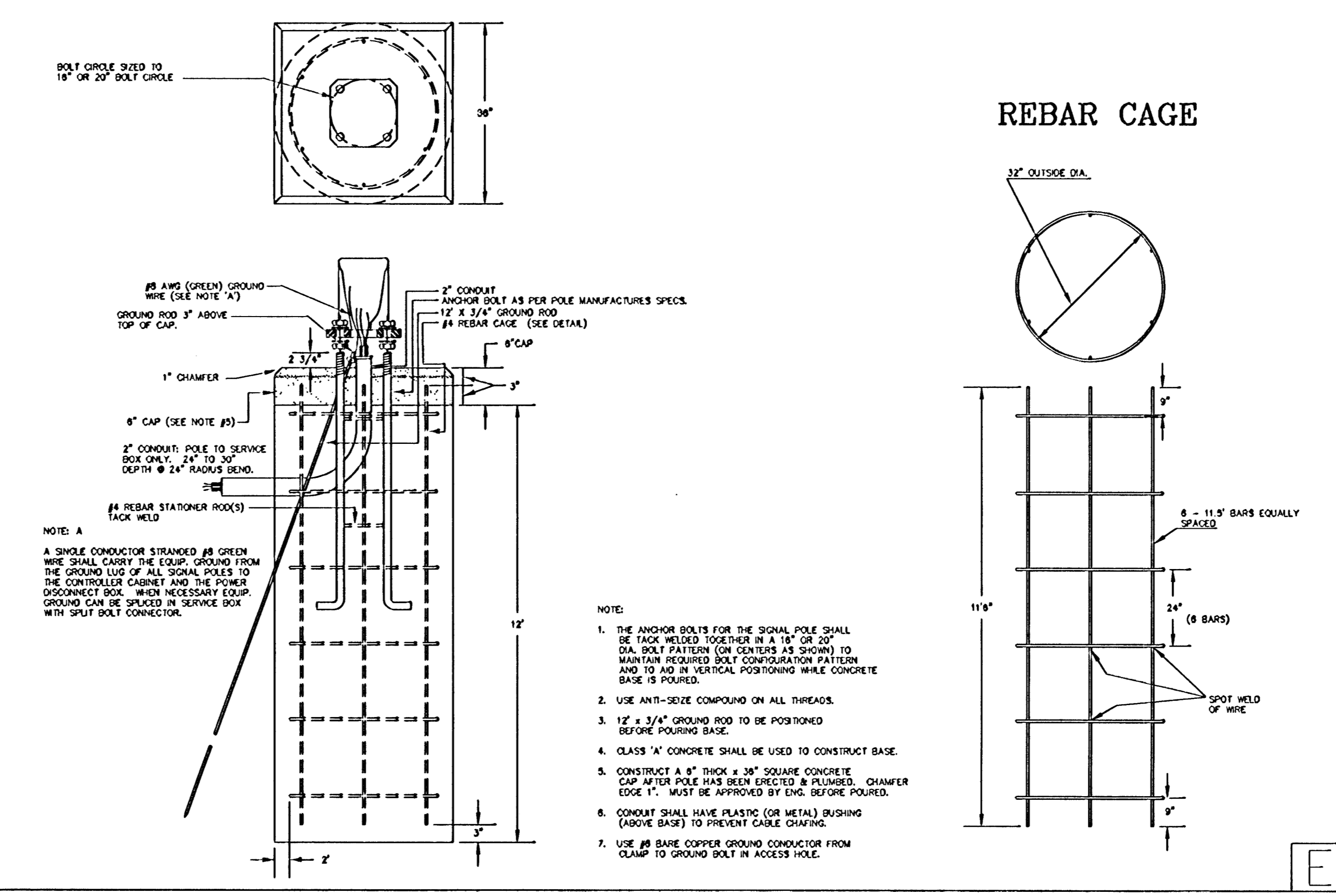
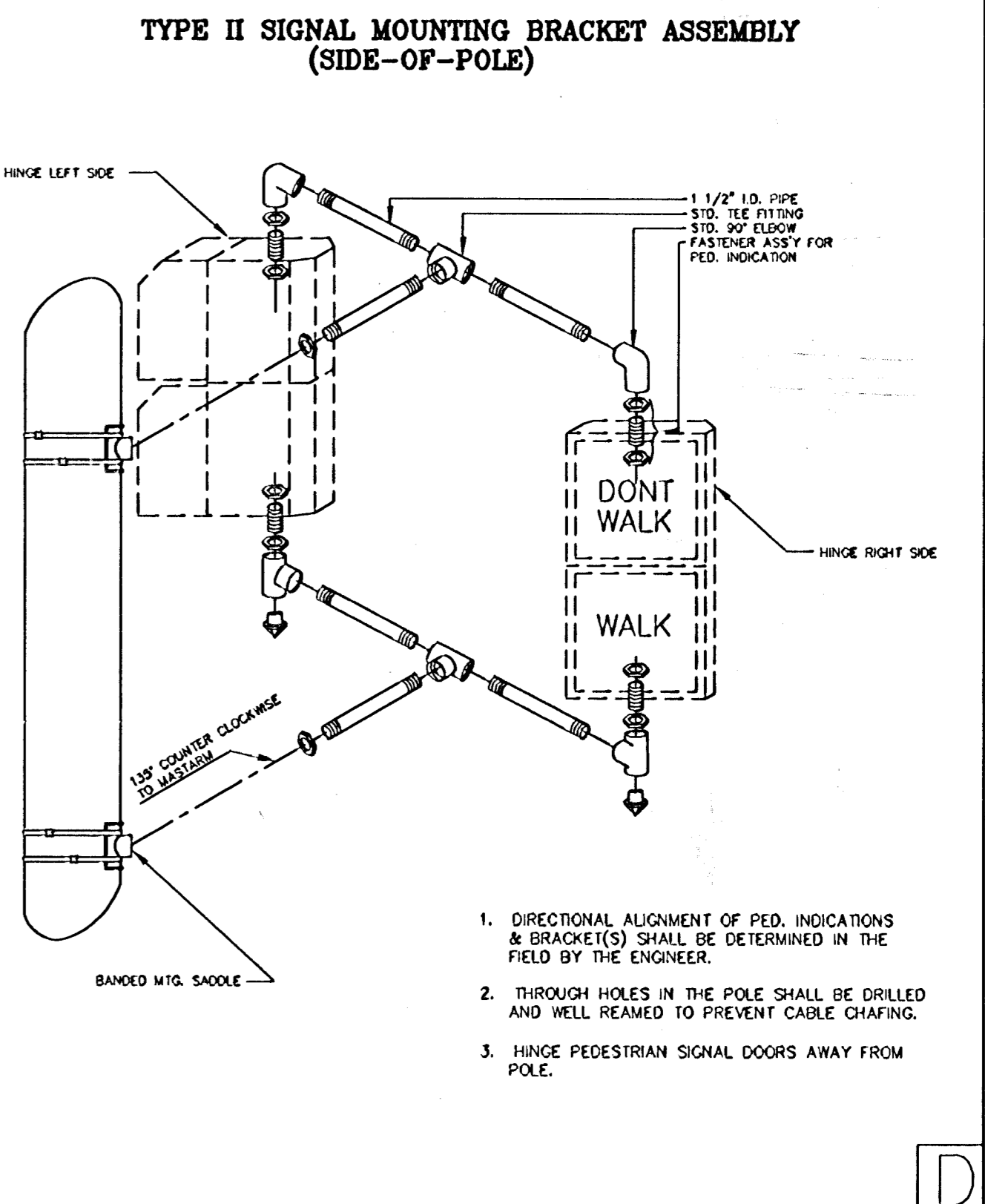
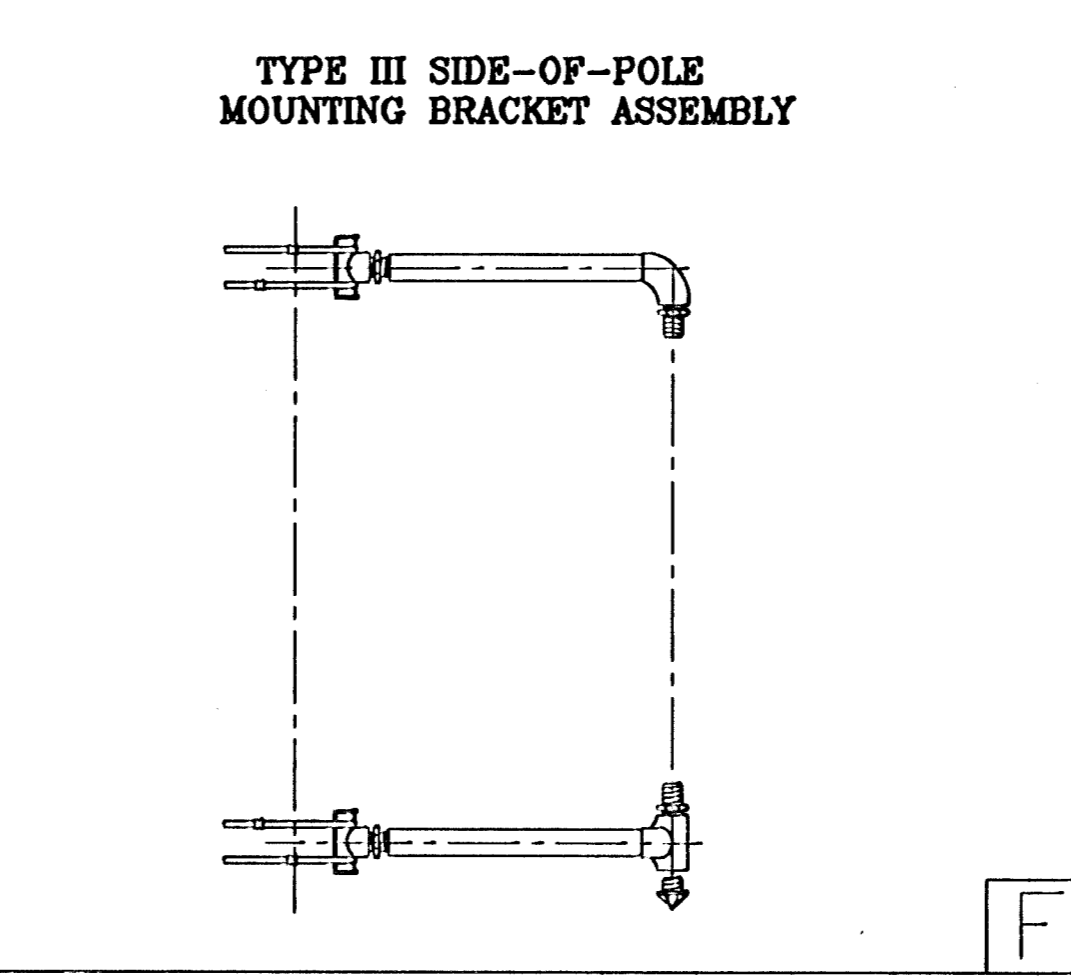
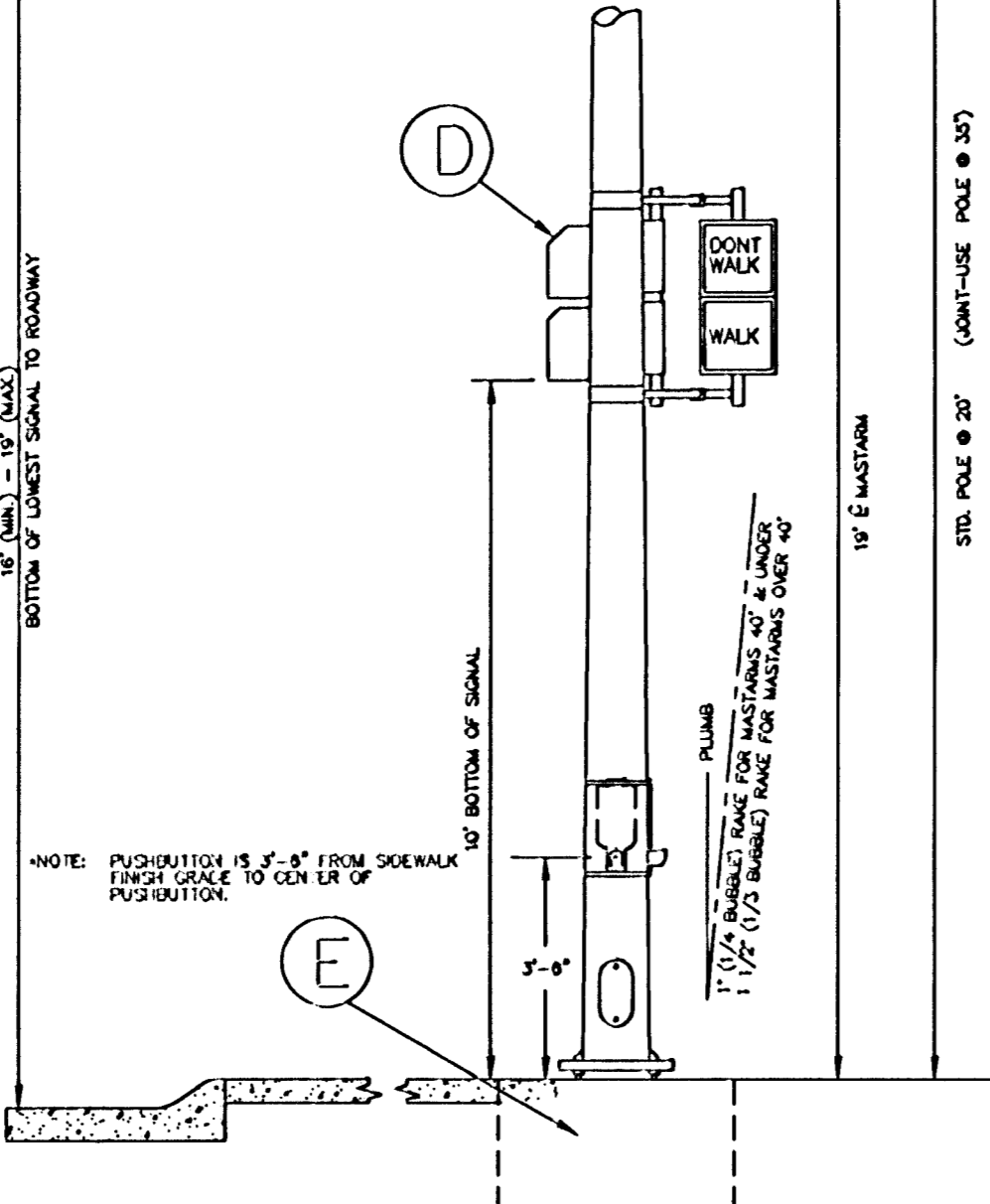
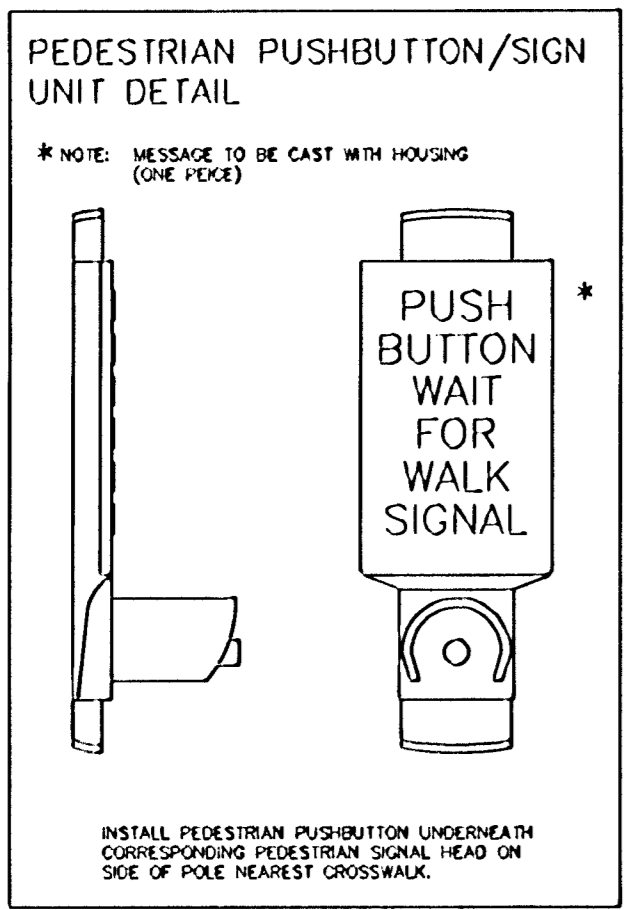
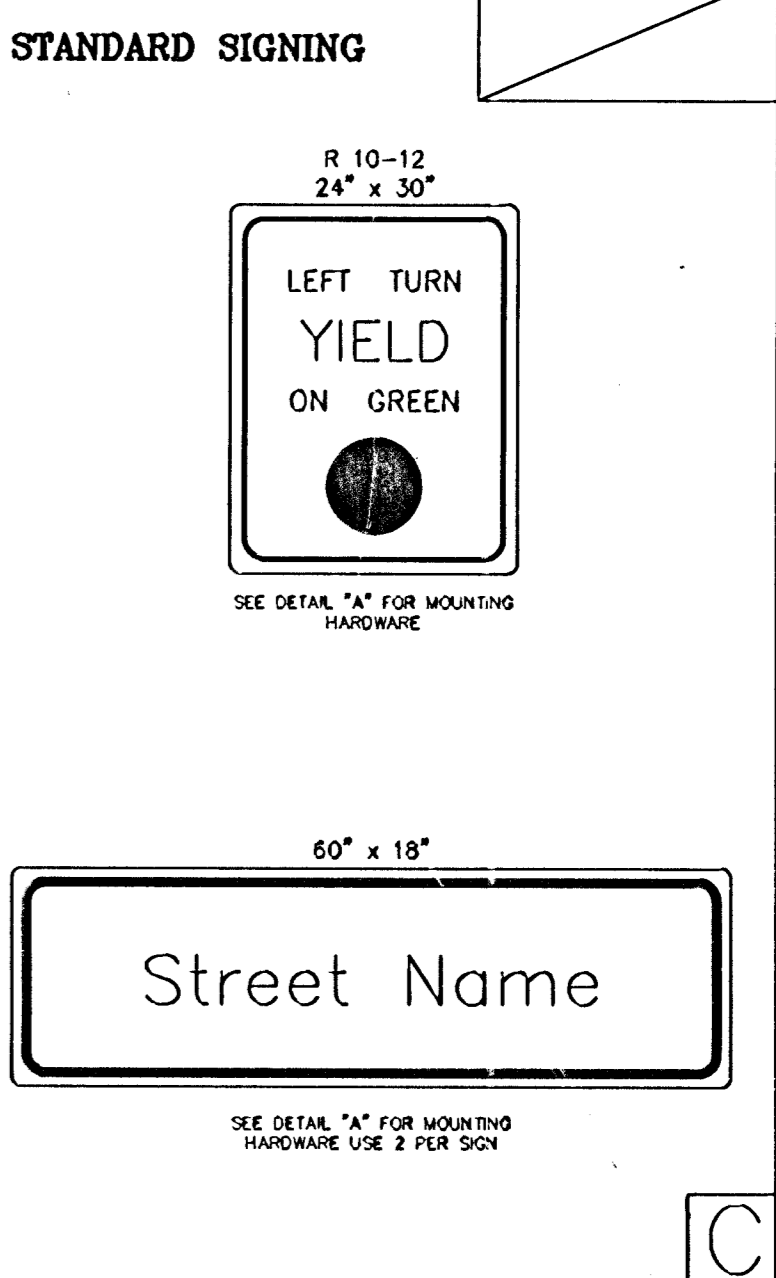
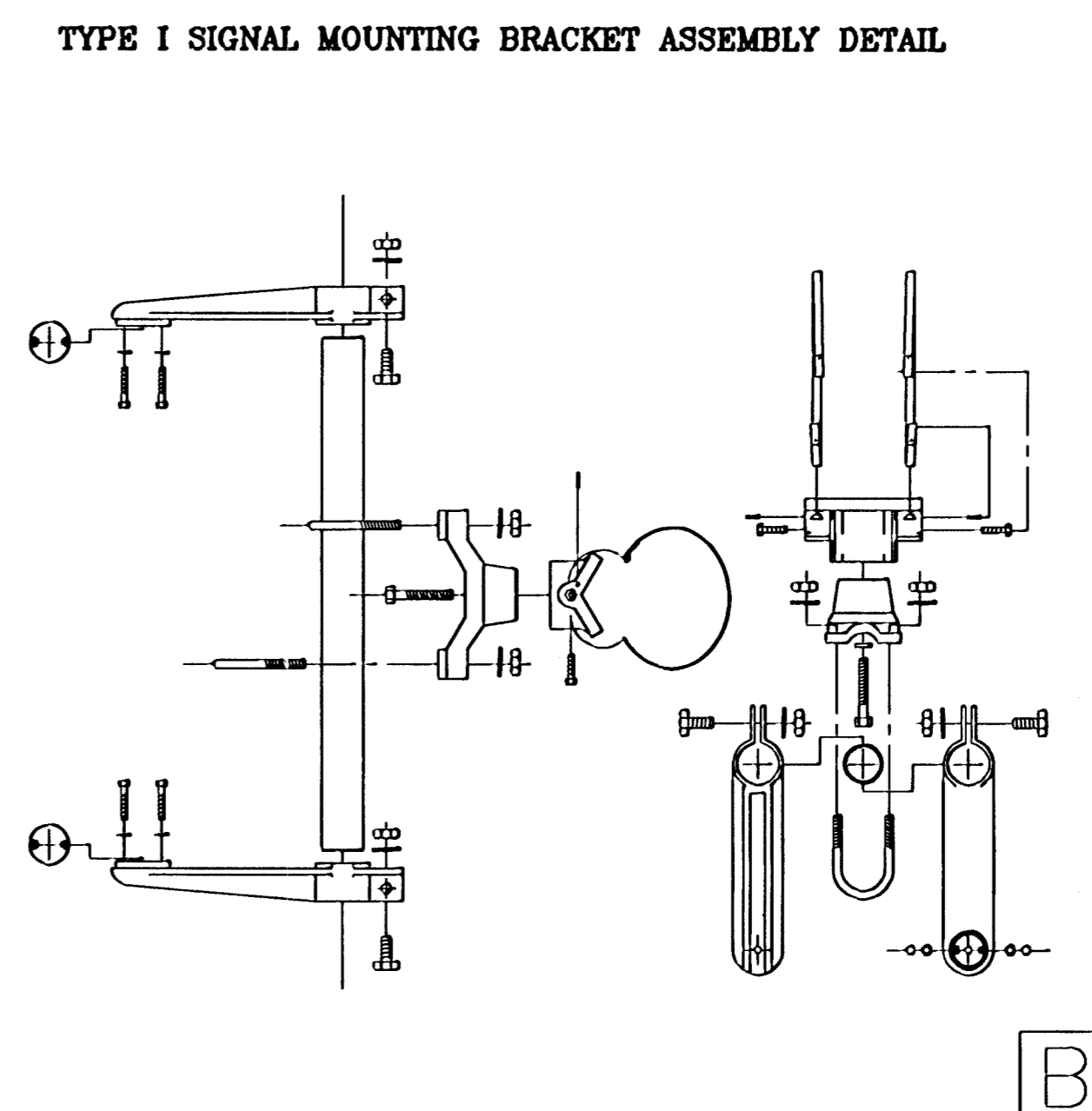
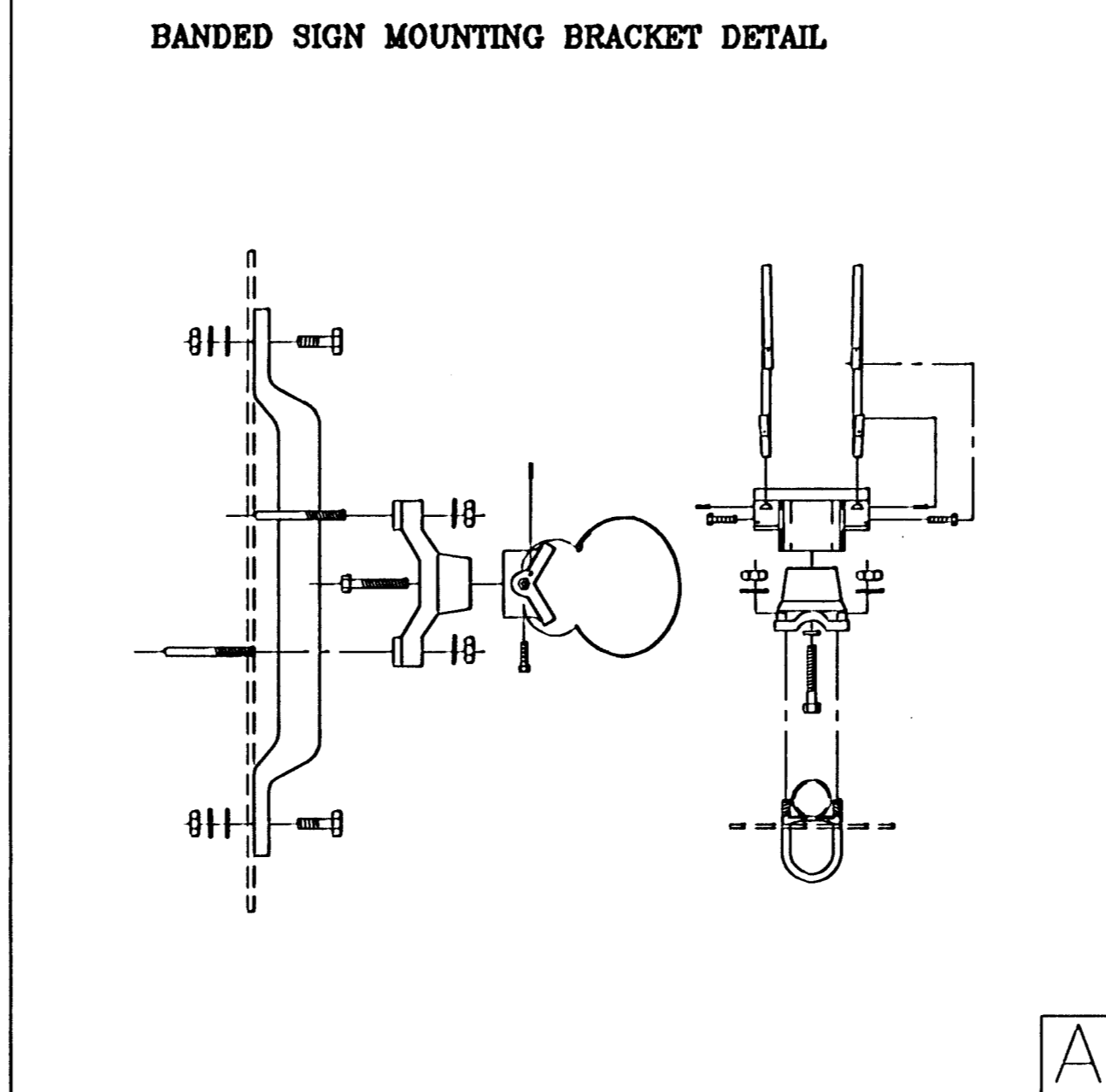
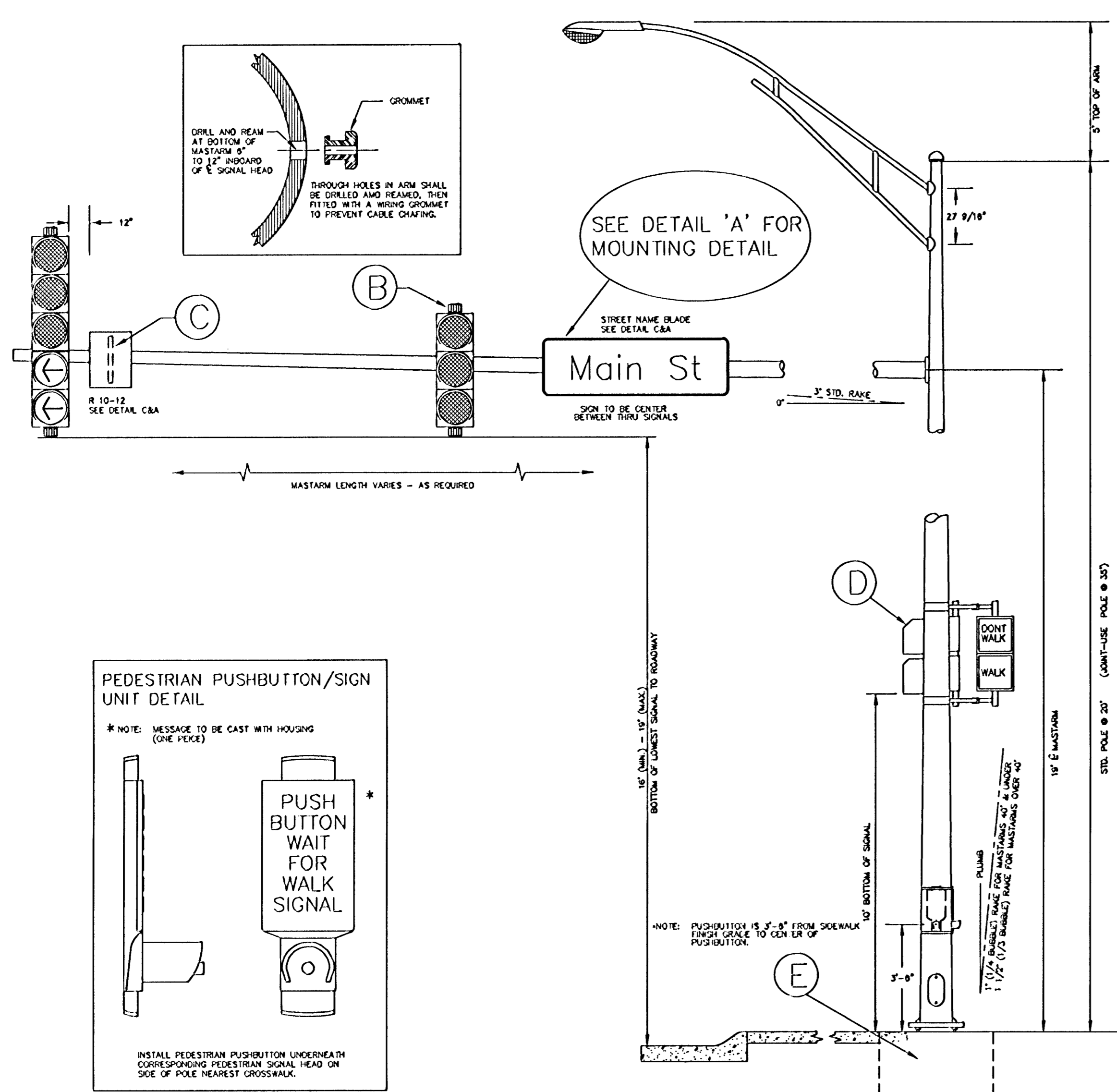


DSNR: DJM OPER. DEP SCALE: 1=1.00  
 Q: Y1995\95773\SIGPOL-E 06-04-2001 08:29:56 am



PROJECT DESCRIPTION		
<b>STEEL SIGNAL POLE ASSEMBLY DETAILS</b>		
PROJECT NUMBER		
DRAWN BY: T.M.	SCALE	REVISED BY: T.M.
DATE: FEB. 98	NO SCALE	DATE: MAY, 97
CITY OF WICHITA DEPARTMENT OF PUBLIC WORKS		
DIVISION OF TRAFFIC ENGINEERING WM. G. MCKINLEY P.E. TRAFFIC ENGINEER		SHEET 153