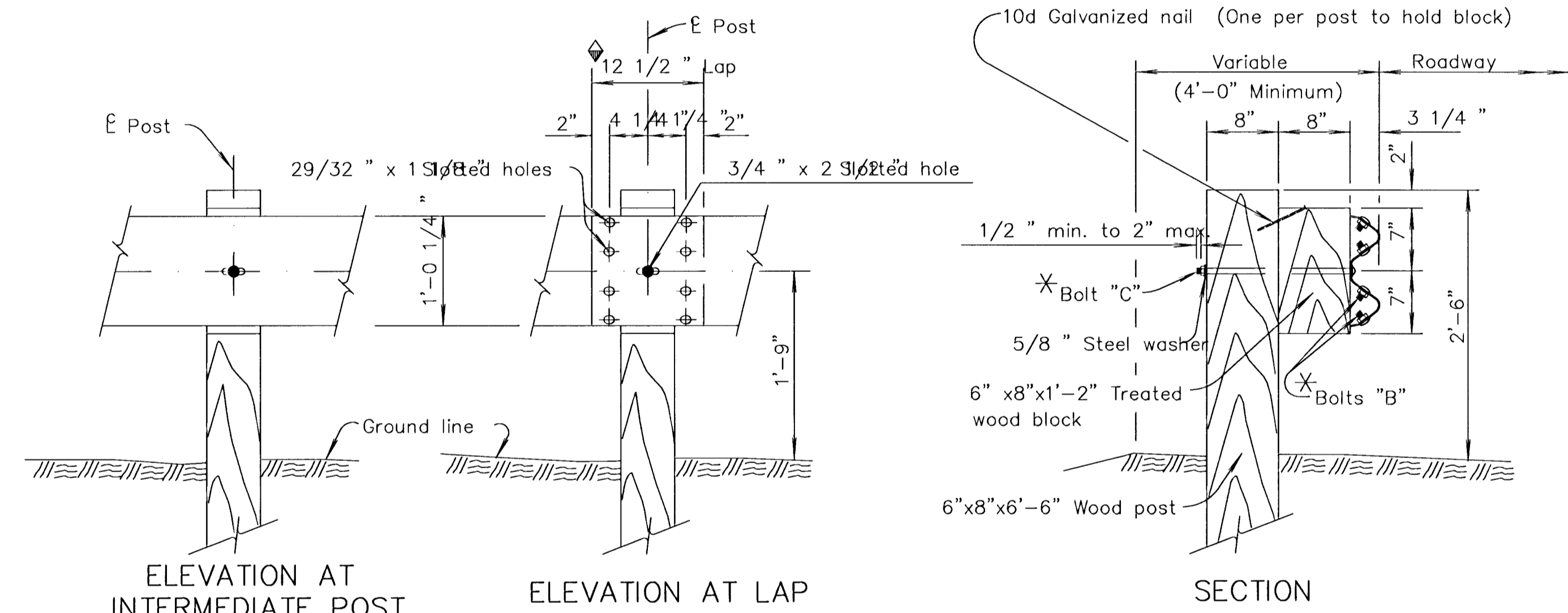
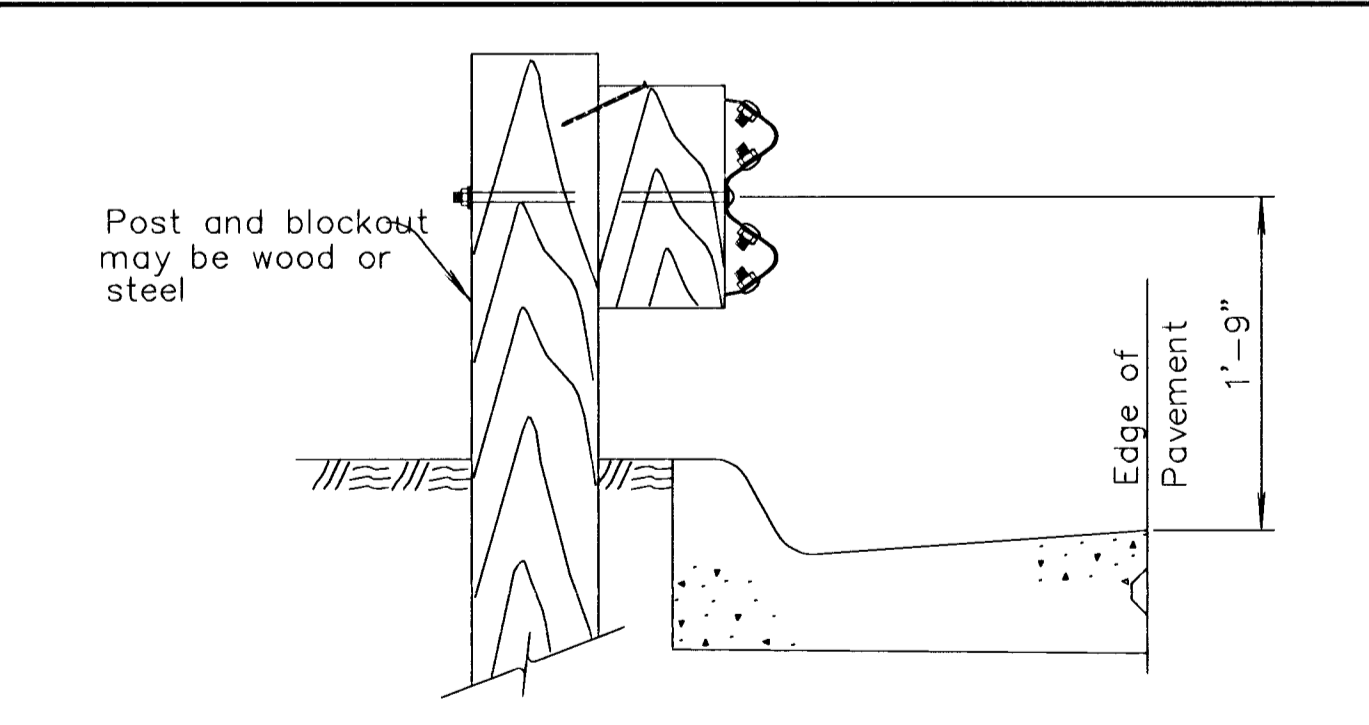


ELEVATION AT INTERMEDIATE POST
ELEVATION AT LAP
SECTION
~~THREE-BEAM POST DETAILS~~



ELEVATION AT INTERMEDIATE POST
ELEVATION AT LAP
SECTION
WOOD POSTS
W-BEAM POST DETAILS



Note: When face of guard fence is aligned with the face of a curb, the height of rail shall be measured from the pavement surface at the curb/pavement joint as shown. A laydown type curb shall be used where the face of the guard fence is not located at the face of the curb.

DETAIL OF PLACEMENT AT CURB

General Notes for Wood Posts

All wood posts and wood blocks shall be given a preservative treatment as provided for in the K.D.O.T. Standard Specifications. All cuts, injuries, and bolt holes in treated wood posts and blocks shall be thoroughly saturated with preservative.

Only one type of preservative treatment may be used on a project. Rectangular posts and wood blocks shall be S4S and shall meet the requirements of the KDOT Standard Specifications.

Excavation of all classes, including rock, shale, and other materials, regardless of the elevations encountered, required for the erection of Guard Fence shall be considered subsidiary to the various bid items for which payment is made.

Guard fence posts may be set by digging or by driving. Post caps which are designed to protect the post from crushing shall be used during driving operations.

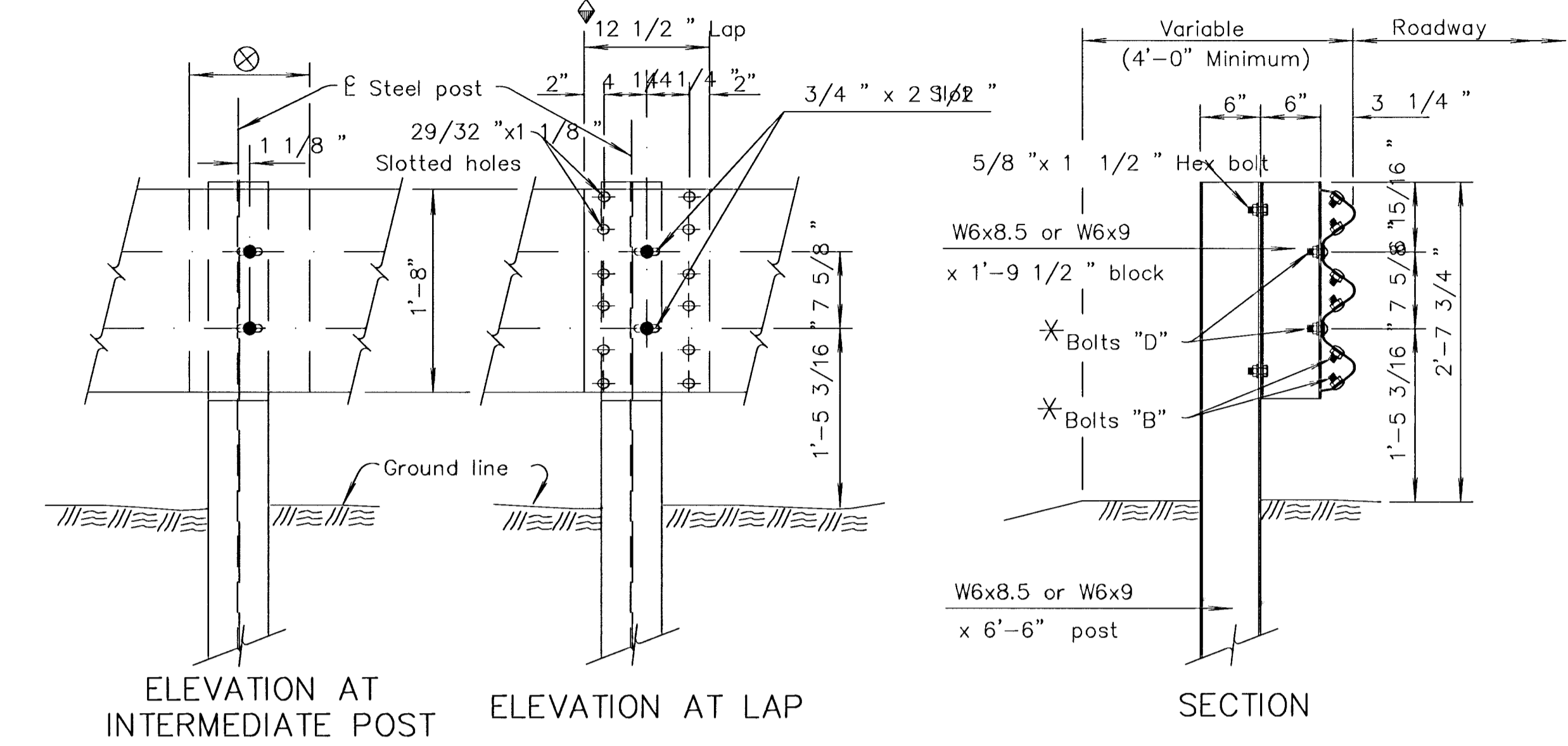
Guard fence posts may be wood or steel as shown on this sheet, with no change in type of post permitted within a single project except as follows:

- LET (Std. Drawing RD606) requires wood posts.
- Guard Fence over Shallow Fill Box Culvert (Std. Drawing RD617) requires steel posts.
- BEST (Std. Drawing RD606A) requires wood posts.
- Slotted Rail Terminal (Std. Drawing RD621) requires wood posts.
- Bullnose Section (Std. Drawing RD607) requires wood for the first 7 posts.
- Guard Fence at Intersecting Roadway (Std. Drawing RD619) requires wood posts through the curved section.
- Type II End Terminal (Std. Drawing RD618) requires wood for the end post.

The Contractor shall notify the Engineer at the earliest practical time if a non-removable man-made object (footing, pipe, etc.) is encountered which prevents installation of a full length post. Approval of the Engineer shall be obtained before cutting posts shorter than 6'-6" except as allowed on Standard Drawing RD617.

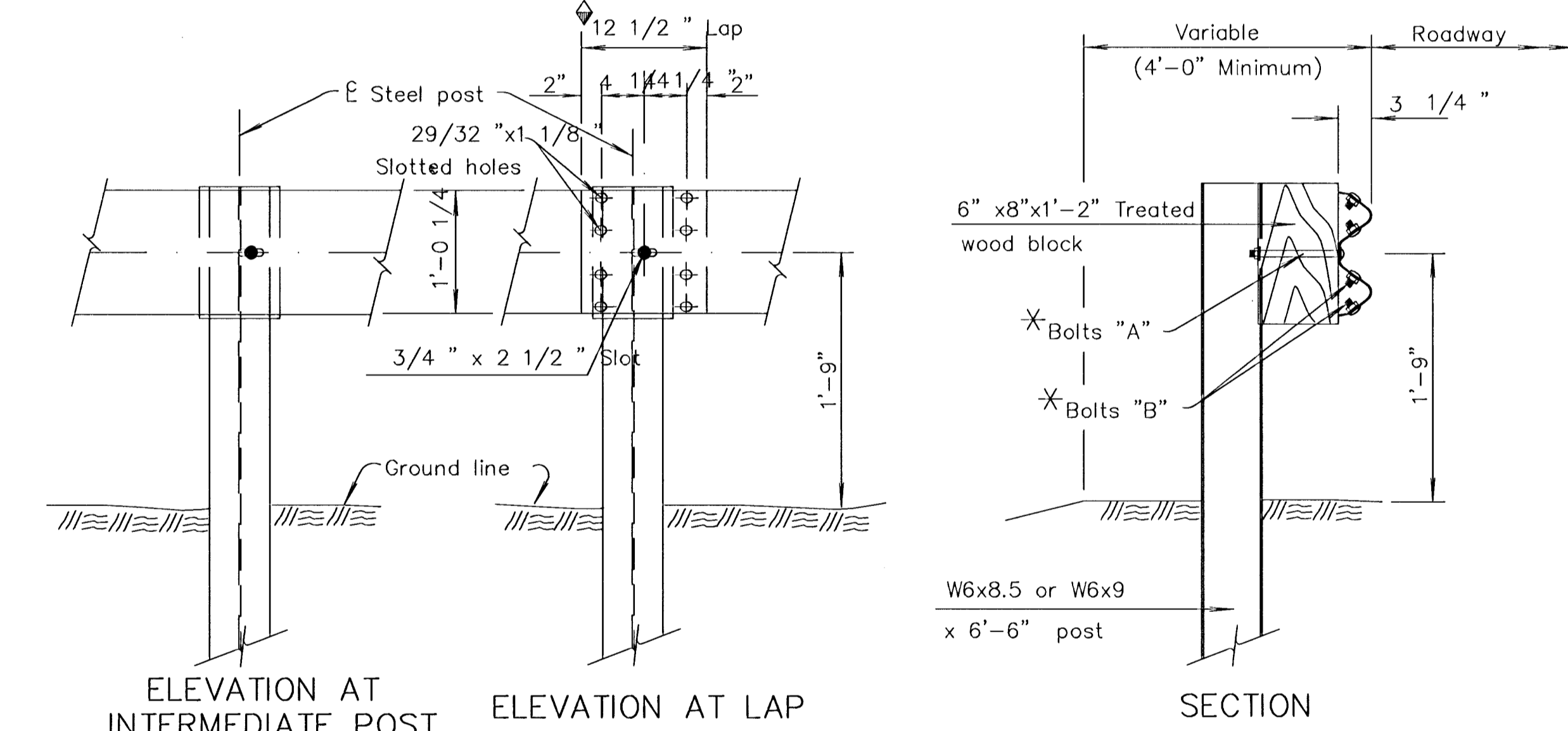
Steel blocks or metal offset brackets will not be permitted on wood posts. All dimensions are nominal and are subject to manufacturing tolerances.

12" Steel Plate Guard Rail Backup Plate shall be used behind Three Beam rail elements on non-splice posts where rail is not nested. See Standard Drawing RD613 for detail of plate.



ELEVATION AT INTERMEDIATE POST
ELEVATION AT LAP
SECTION
~~THREE-BEAM POST DETAILS~~

Rail shall be lapped in the direction of traffic.



ELEVATION AT INTERMEDIATE POST
ELEVATION AT LAP
SECTION
W-BEAM POST DETAILS

General Notes for Steel Posts

The grade of steel for steel posts and steel blocks shall meet the requirements of the Standard Specifications.

Steel posts and steel blocks shall be galvanized in accordance with the KDOT Standard Specifications. Galvanizing shall be done after the posts and blocks are fabricated.

Wood blocks shall meet all of the requirements in the general notes for wood posts on this sheet.

Excavation of all classes, including rock, shale, and other materials regardless of the elevations encountered, required for the erection of Guard Fence shall be considered subsidiary to the various bid items for which payment is made.

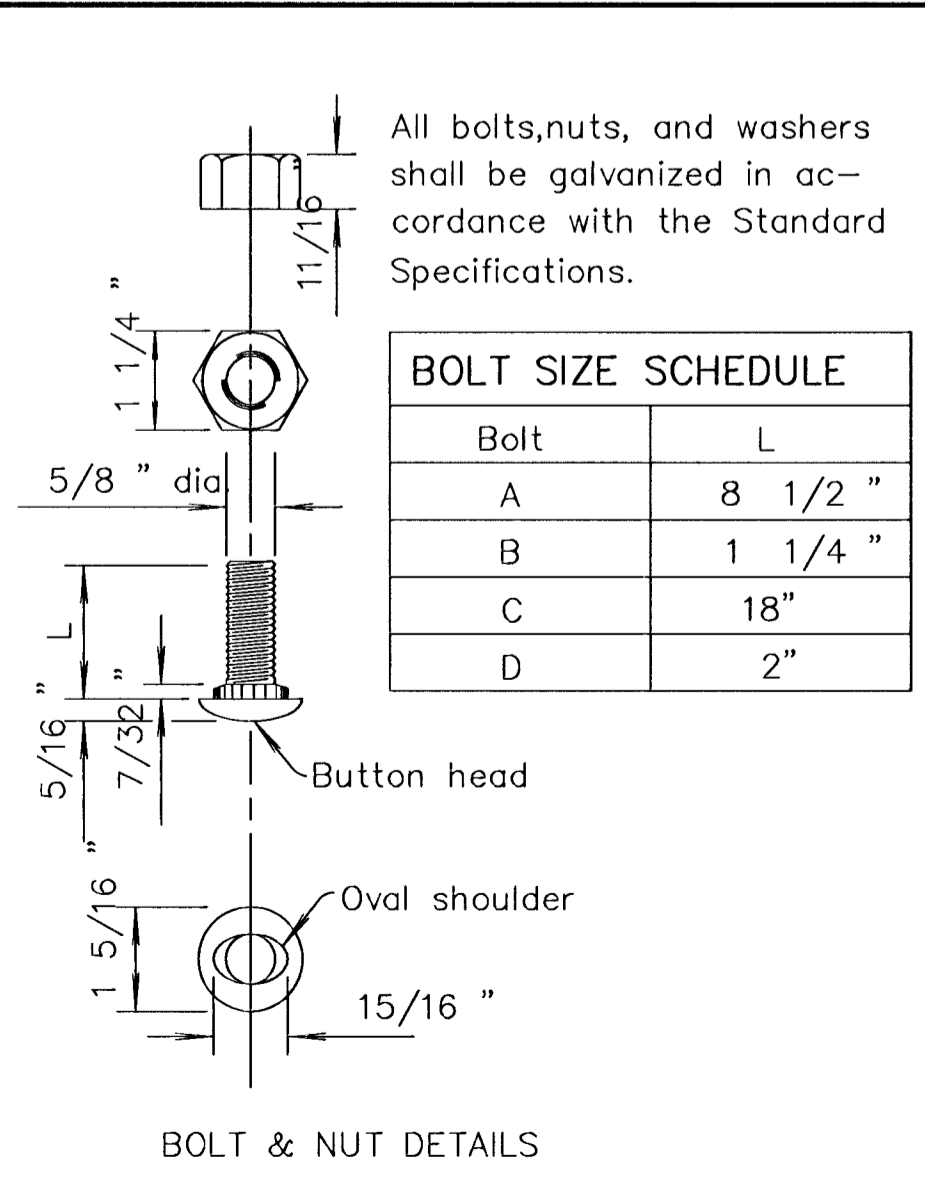
Guard Fence Posts may be set by digging or by driving. Post caps which are designed to protect the post from crushing shall be used during driving operations.

Guard fence posts may be wood or steel as shown on this sheet, with no change in type of post permitted within a single project except as follows:

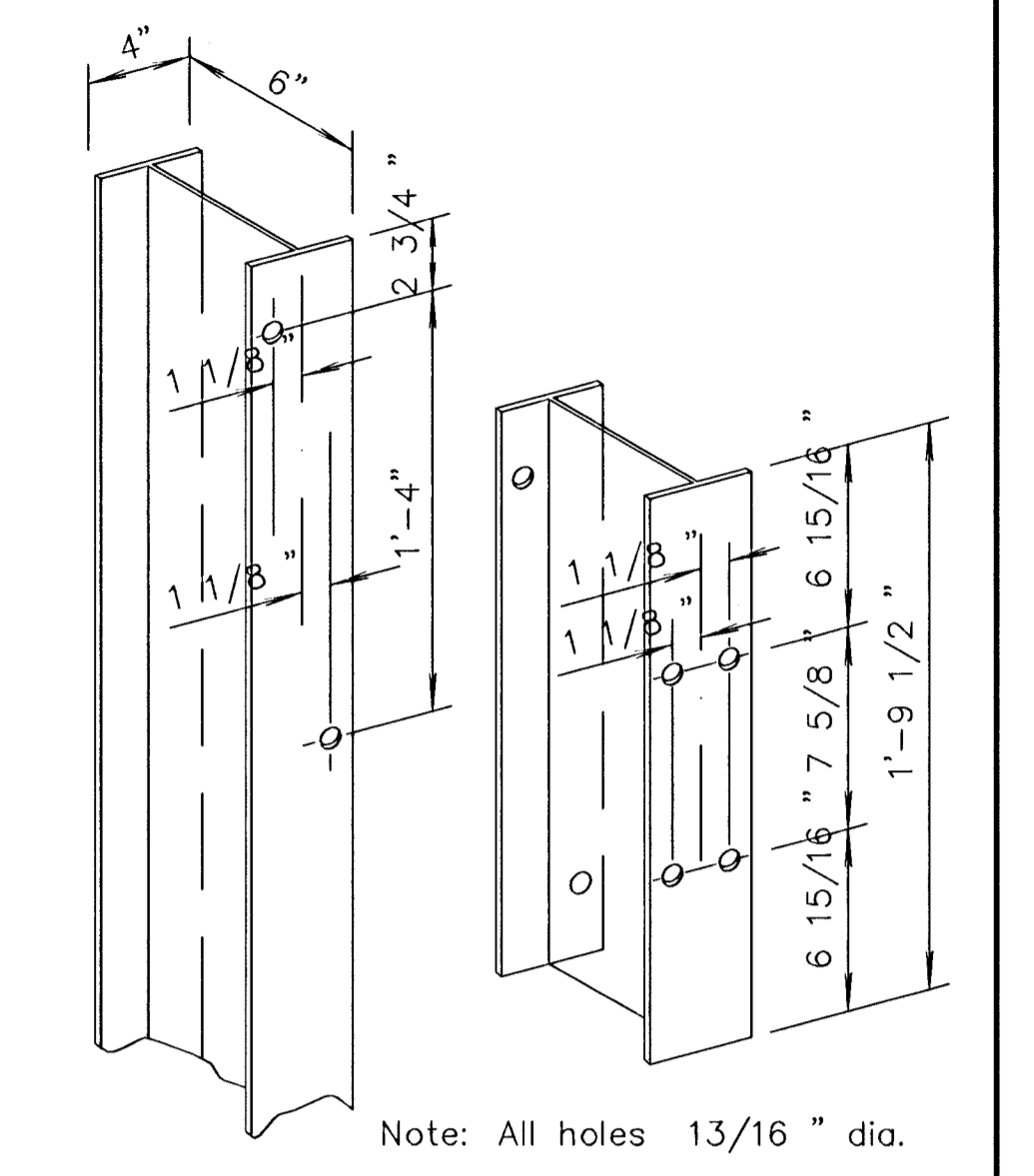
- LET (Std. Drawing RD606) requires wood posts.
- Guard Fence over Shallow Fill Box Culvert (Std. Drawing RD617) requires steel posts.
- BEST (Std. Drawing RD606A) requires wood posts.
- Slotted Rail Terminal (Std. Drawing RD621) requires wood posts.
- Bullnose Section (Std. Drawing RD607) requires wood for the first 7 posts.
- Guard Fence at Intersecting Roadway (Std. Drawing RD619) requires wood posts through the curved section.
- Type II End Terminal (Std. Drawing RD618) requires wood for the end post.

The Contractor shall notify the Engineer at the earliest practical time if a non-removable man-made object (footing, pipe, etc.) is encountered which prevents installation of a full length post. Approval of the Engineer shall be obtained before cutting posts shorter than 6'-6" except as allowed on Standard Drawing RD617.

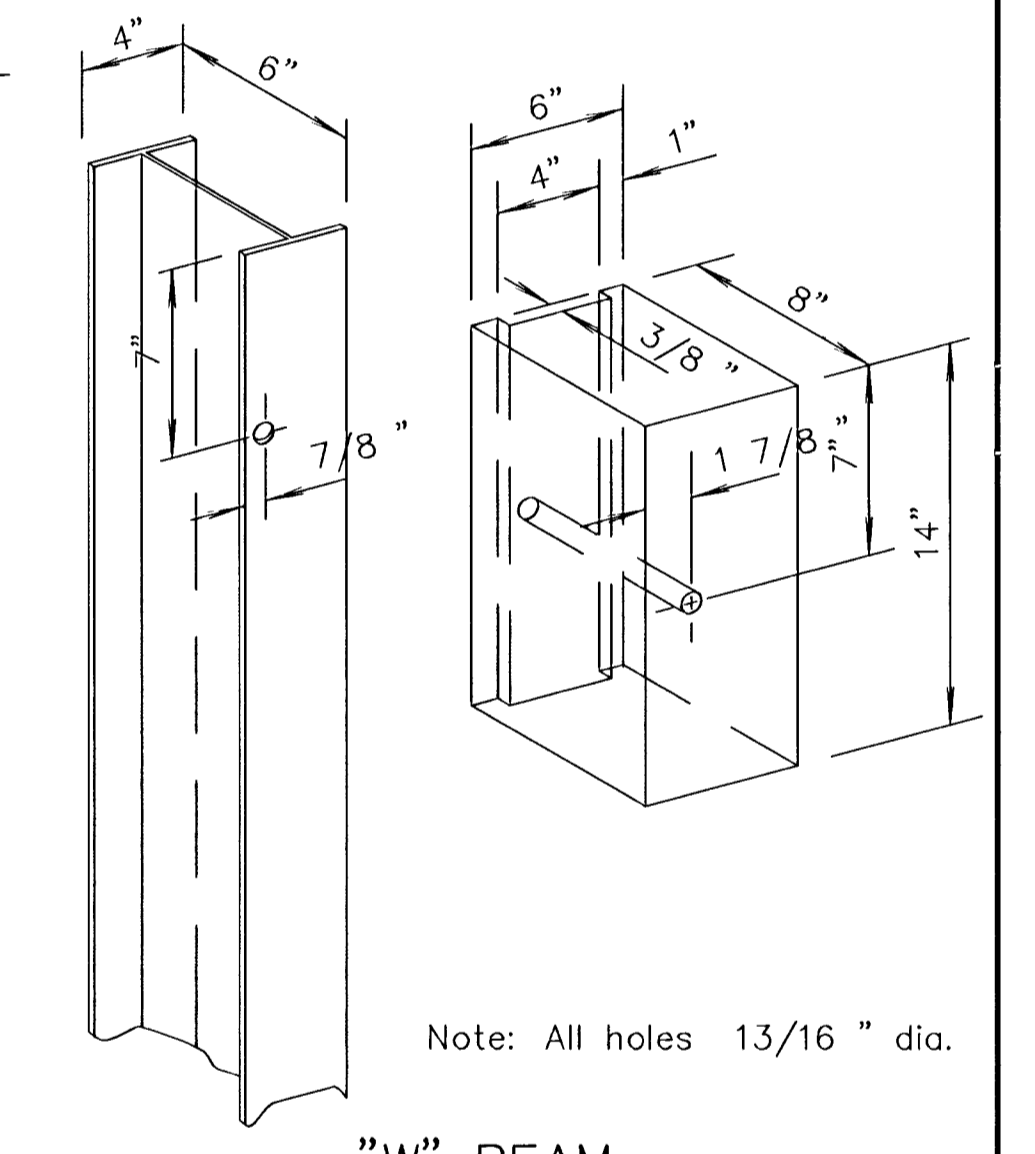
All dimensions subject to manufacturing tolerances.



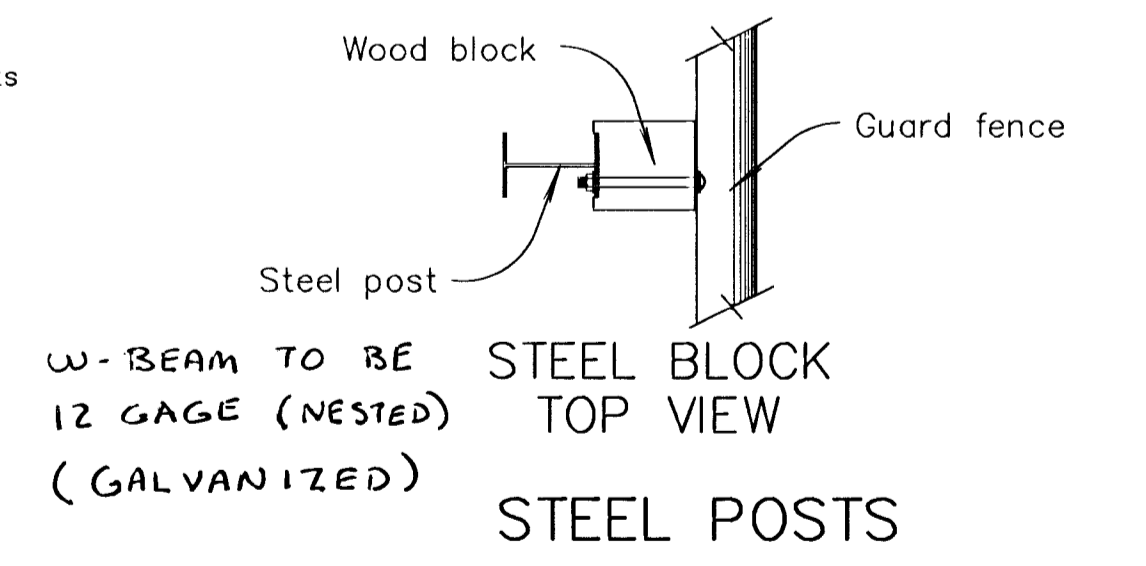
BOLT SIZE SCHEDULE	
Bolt	L
A	8 1/2"
B	1 1/4"
C	18"
D	2"



Note: All holes 13/16" dia.
~~THREE-BEAM HOLE PUNCHING DETAILS~~



Note: All holes 13/16" dia.
"W" BEAM HOLE PUNCHING DETAILS



W-BEAM TO BE 12 GAGE (NESTED) (GALVANIZED)
STEEL BLOCK TOP VIEW
STEEL POSTS

KANSAS DEPARTMENT OF TRANSPORTATION					
GUARD FENCE POST DETAILS					
RD611					
NO.	DATE	REVISIONS	BY	APP'D	
8	10-15-98	Bolt "D"		R.J.S.	J.O.B.
7	6-18-98	Rev. steel block to wood on W-beam		R.J.S.	J.O.B.
6	6-25-97	Revised General Note on post type		R.J.S.	J.O.B.
5	10-23-95	Delete MELT		R.J.S.	J.O.B.