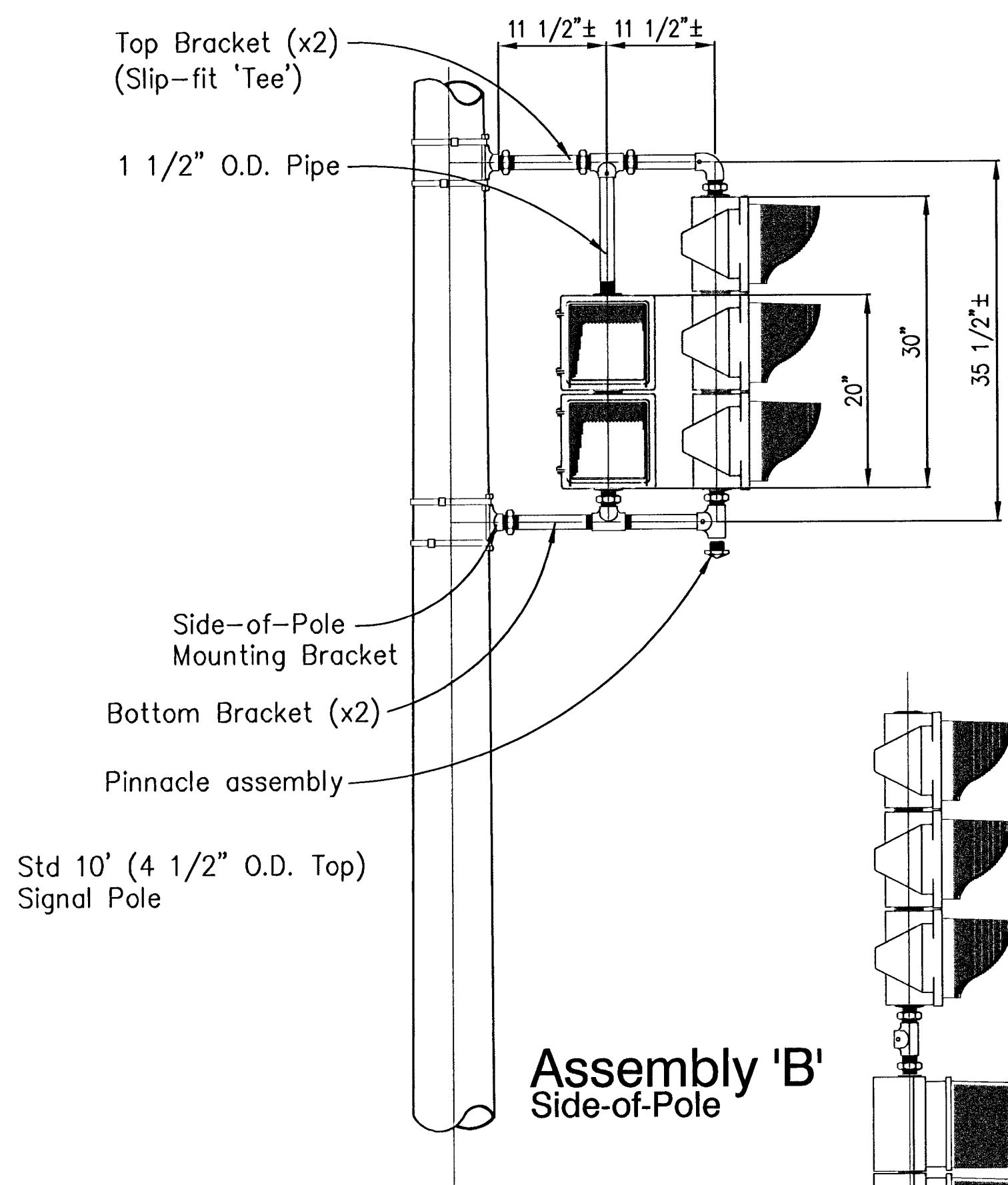
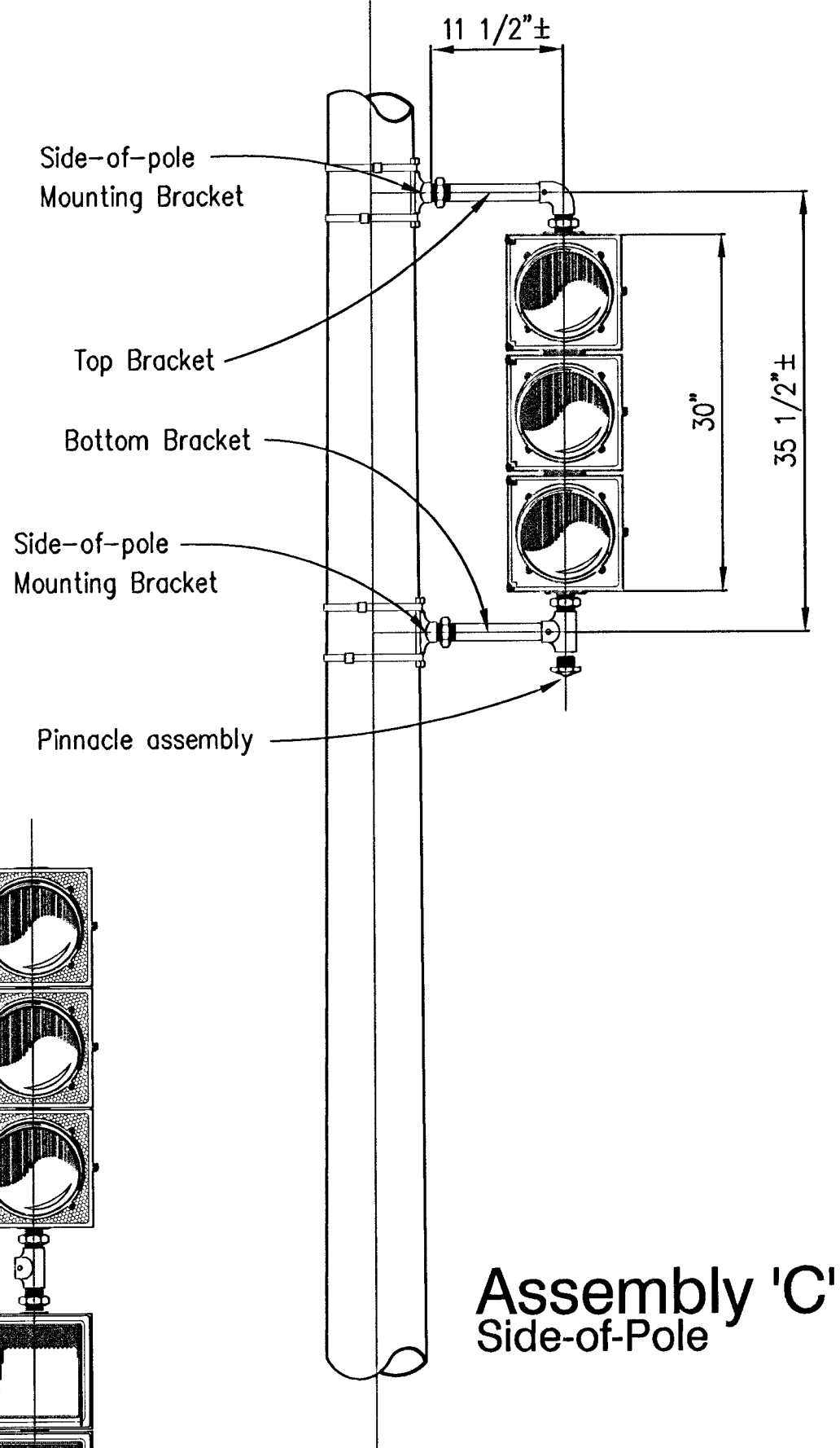


Assembly 'A'
Side-of-Pole

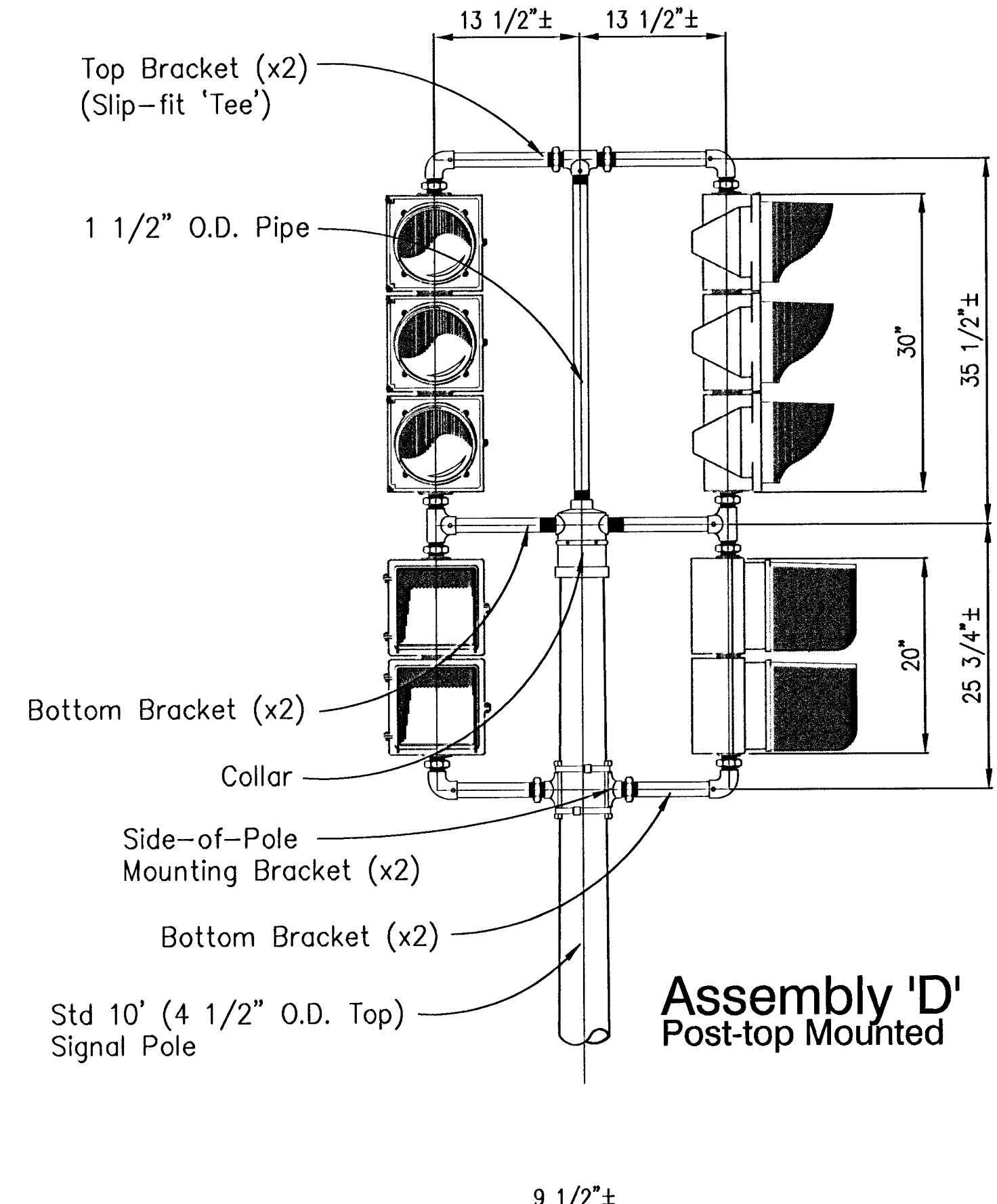


Std 10' (4 1/2" O.D. Top) Signal Pole

Assembly 'B'
Side-of-Pole

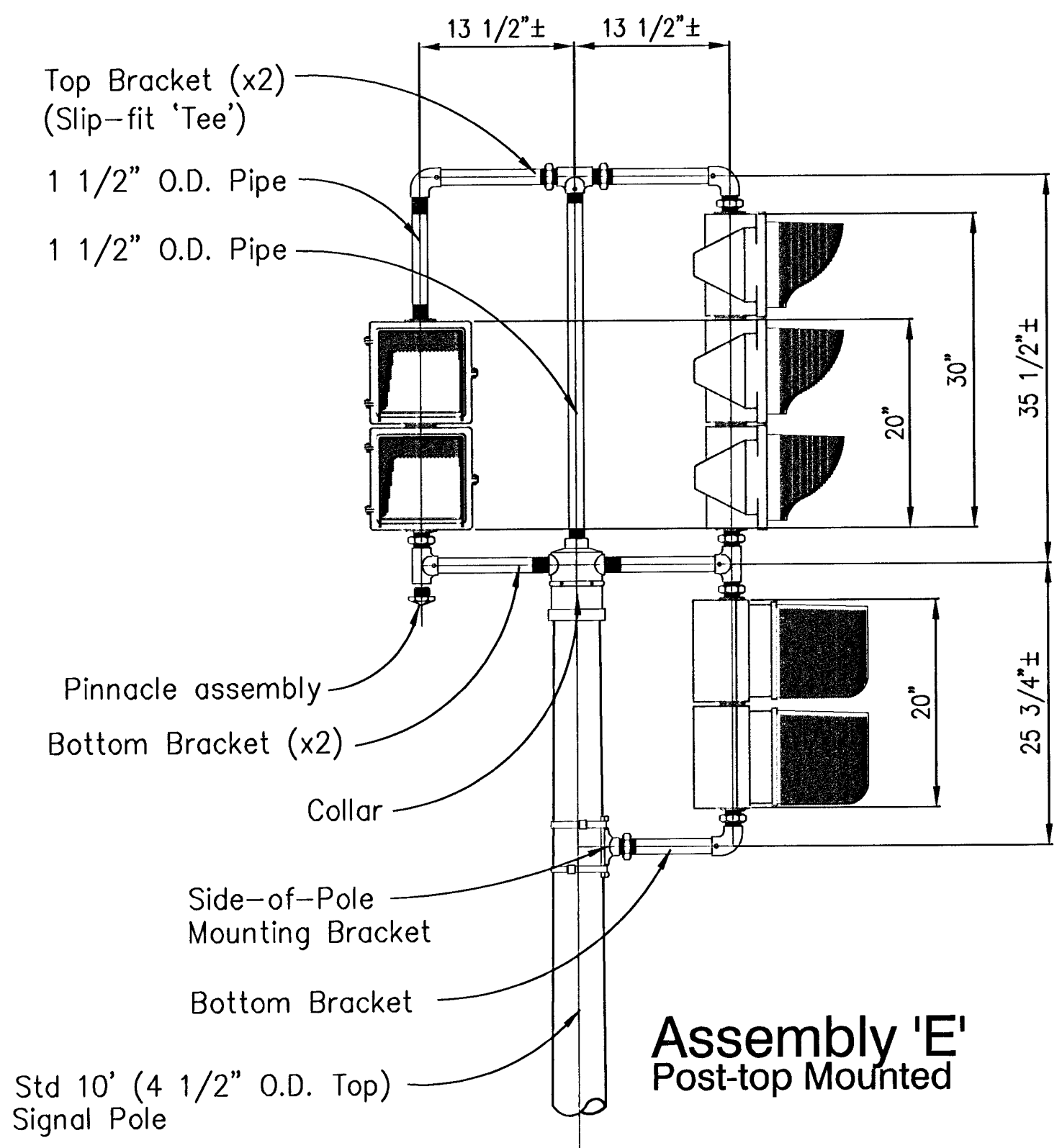
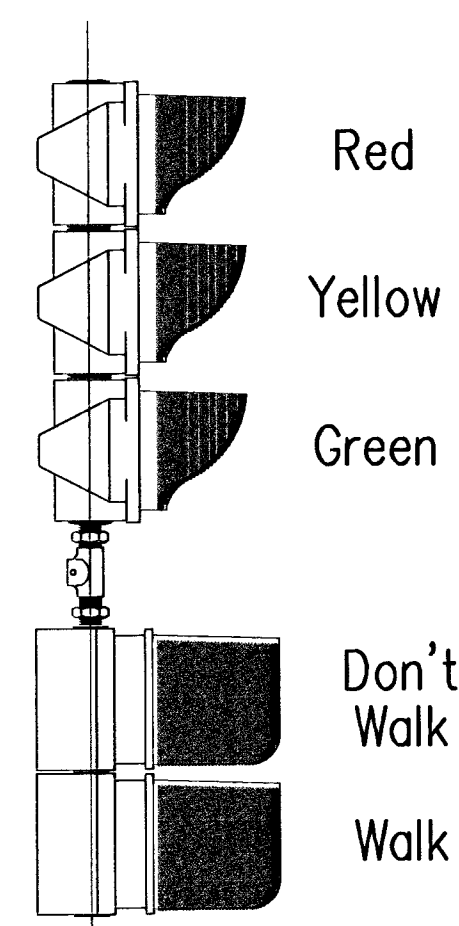


Assembly 'C'
Side-of-Pole



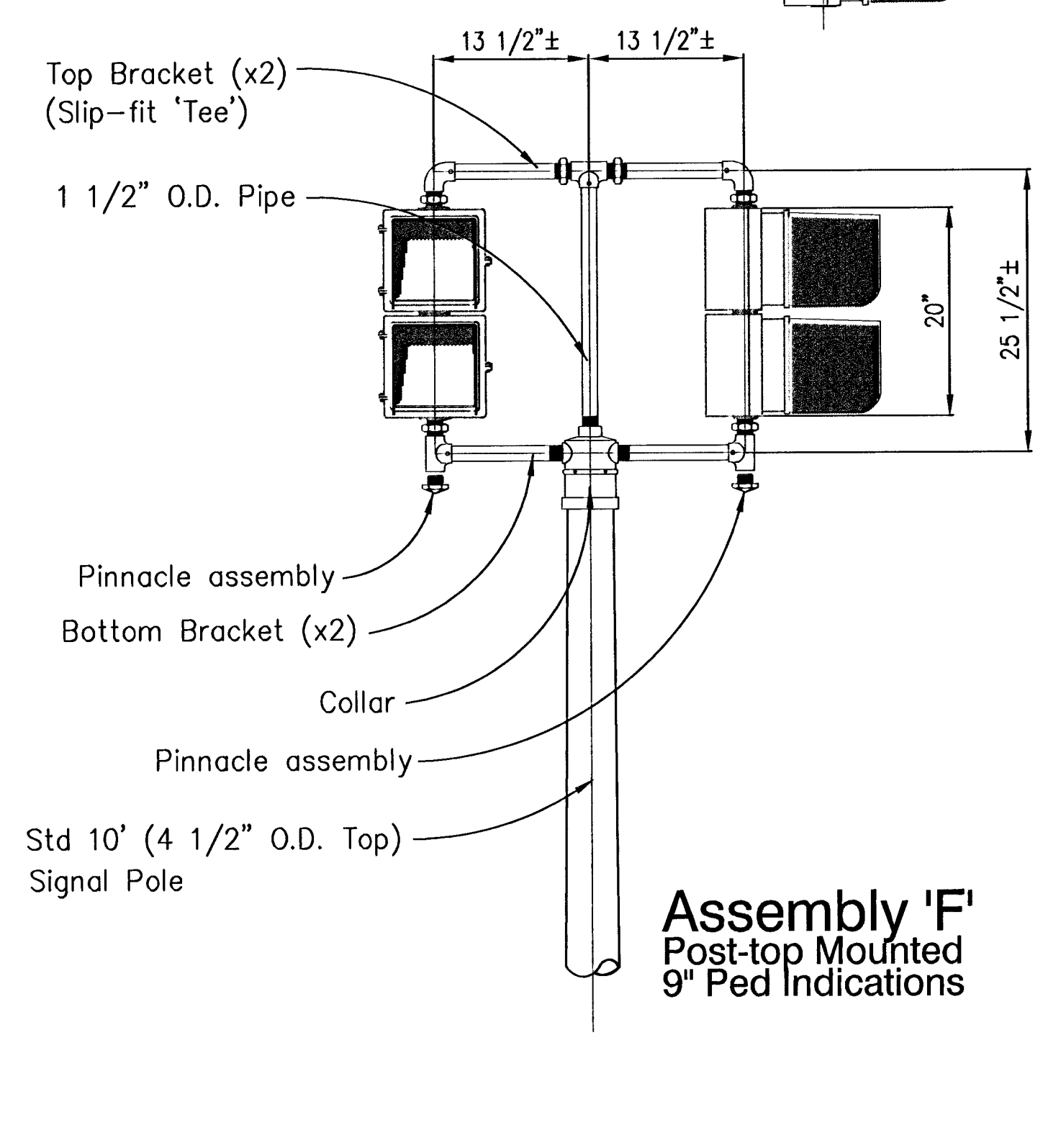
Std 10' (4 1/2" O.D. Top) Signal Pole

Assembly 'D'
Post-top Mounted



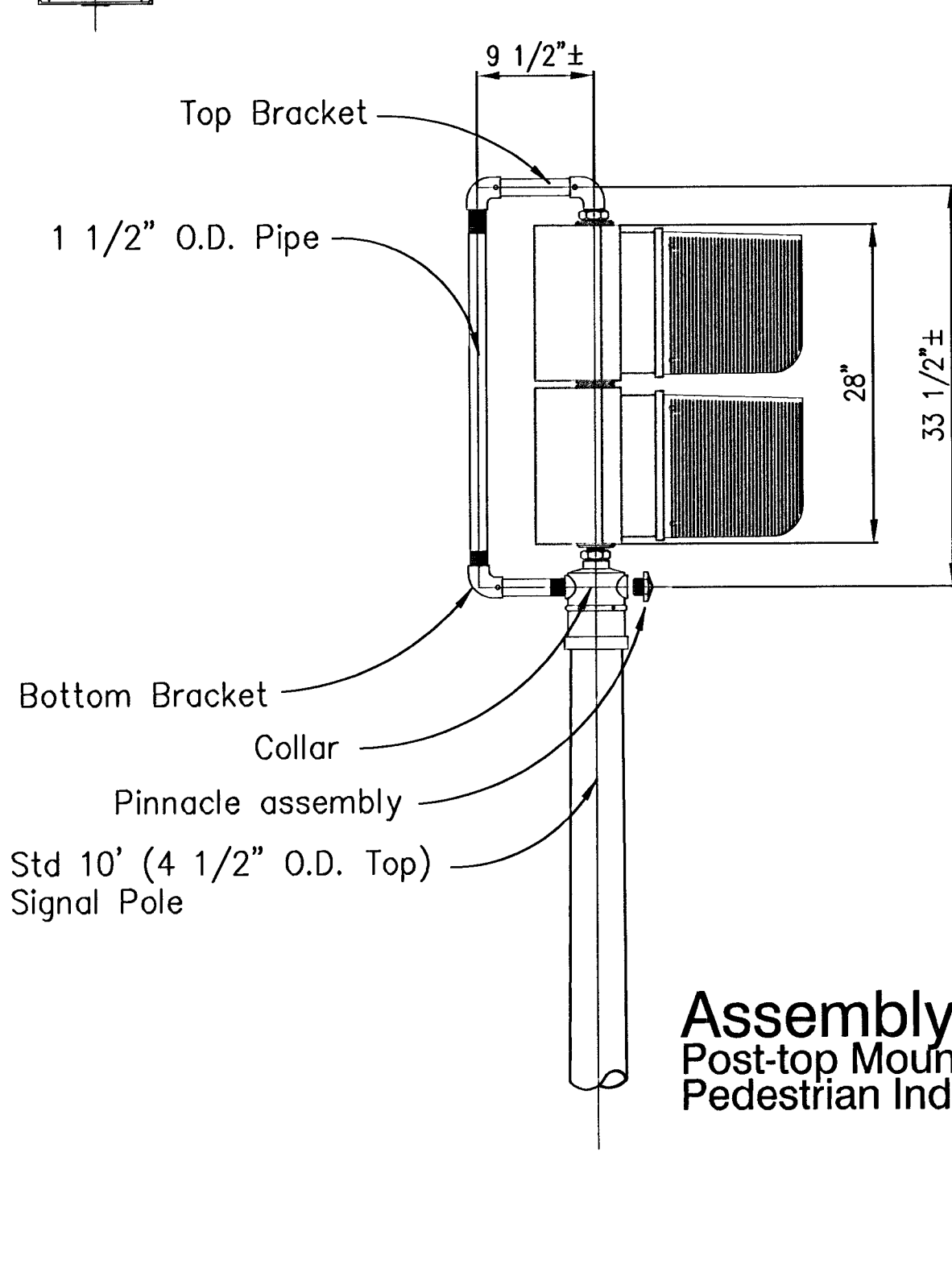
Std 10' (4 1/2" O.D. Top) Signal Pole

Assembly 'E'
Post-top Mounted



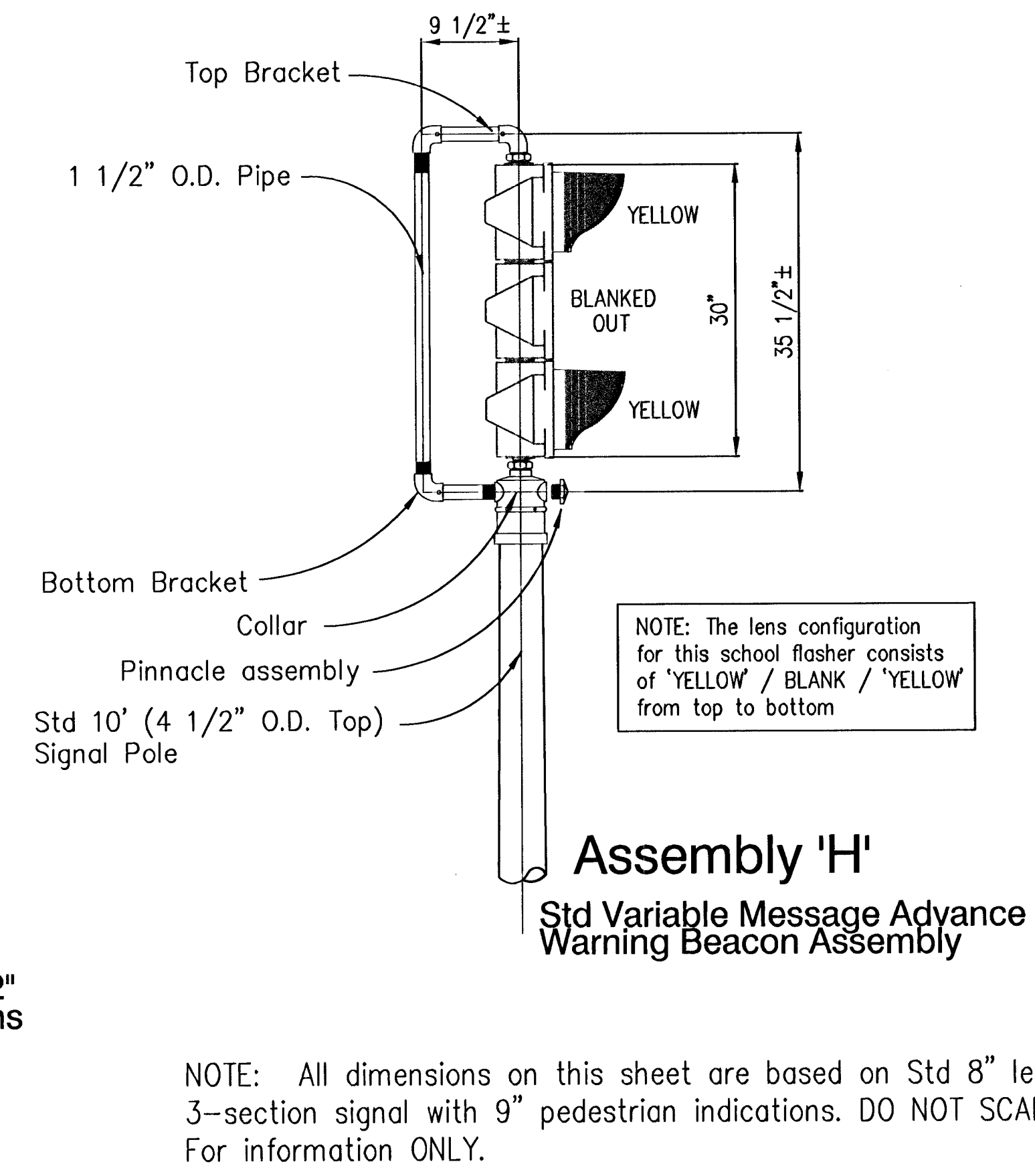
Std 10' (4 1/2" O.D. Top) Signal Pole

Assembly 'F'
Post-top Mounted
9" Ped Indications



Std 10' (4 1/2" O.D. Top) Signal Pole

Assembly 'G'
Post-top Mounted 12"
Pedestrian Indications



Std 10' (4 1/2" O.D. Top) Signal Pole

Assembly 'H'
Std Variable Message Advance
Warning Beacon Assembly

NOTE: The lens configuration for this school flasher consists of 'YELLOW / BLANK / YELLOW' from top to bottom

NOTE: All dimensions on this sheet are based on Std 8" lens, 3-section signal with 9" pedestrian indications. DO NOT SCALE. For information ONLY.

PROJECT NUMBER 472 - 83370		SHEET NAME SIGNALS		ENGINEERING DIRECTORY Kellog, Gr/Greemwich/Traffic	
DESIGN C.O.W.	DRAWN Sonny	APPROVED	DATE 27SEPT95	SCALE NONE	BAUGHMAN NO 01-06-E045

THE CITY OF WICHITA, KANSAS
TYPICAL BRACKET ASSEMBLY DETAILS
SIDE OF POLE & POST TOP MOUNTED SIGNALS

BAUGHMAN COMPANY, P.A.
ENGINEERING, SURVEYING, & PLANNING
318-282-7271 • 315 ELLIS • WICHITA, KANSAS 67211

SHEET
22
OF
43