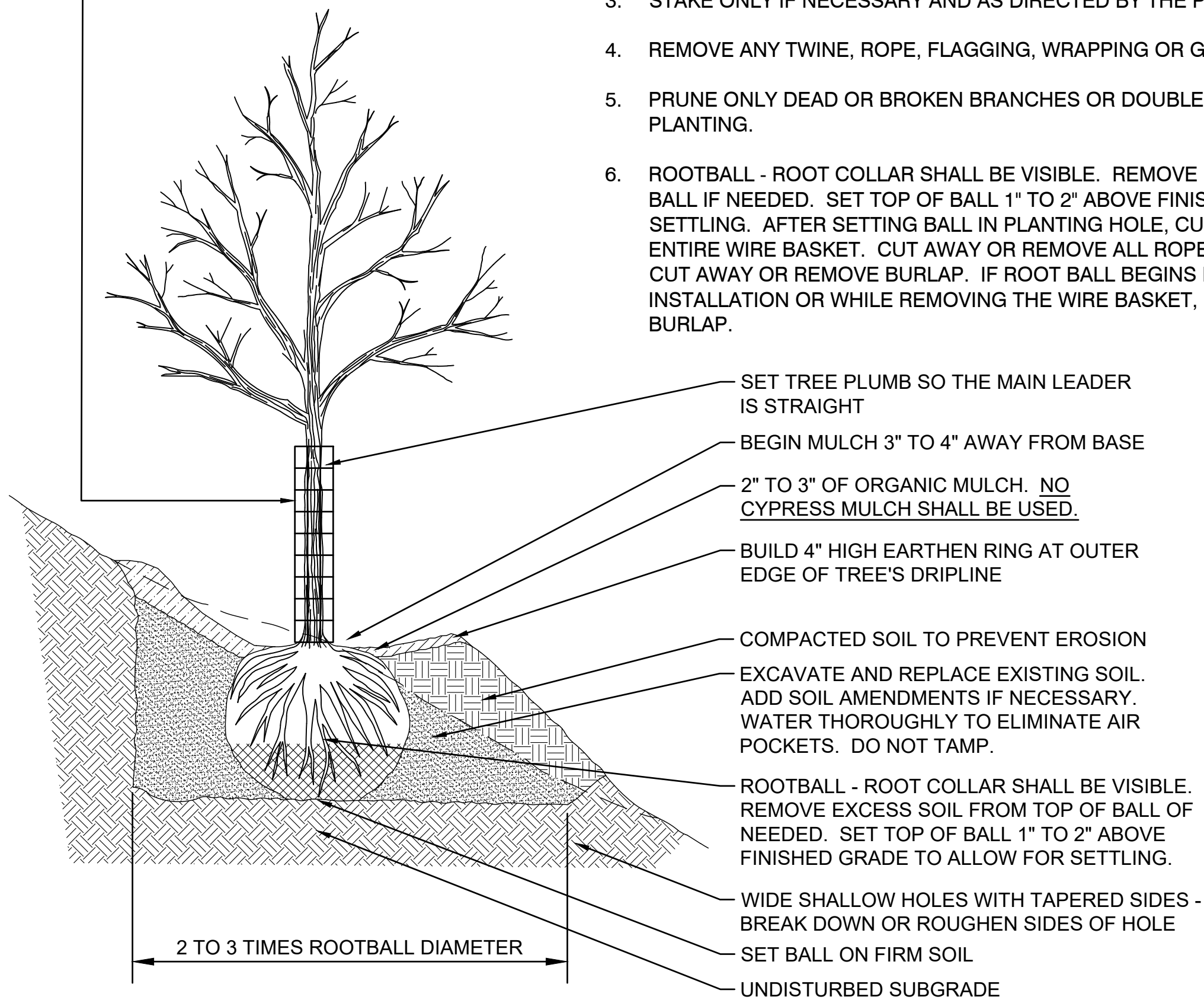


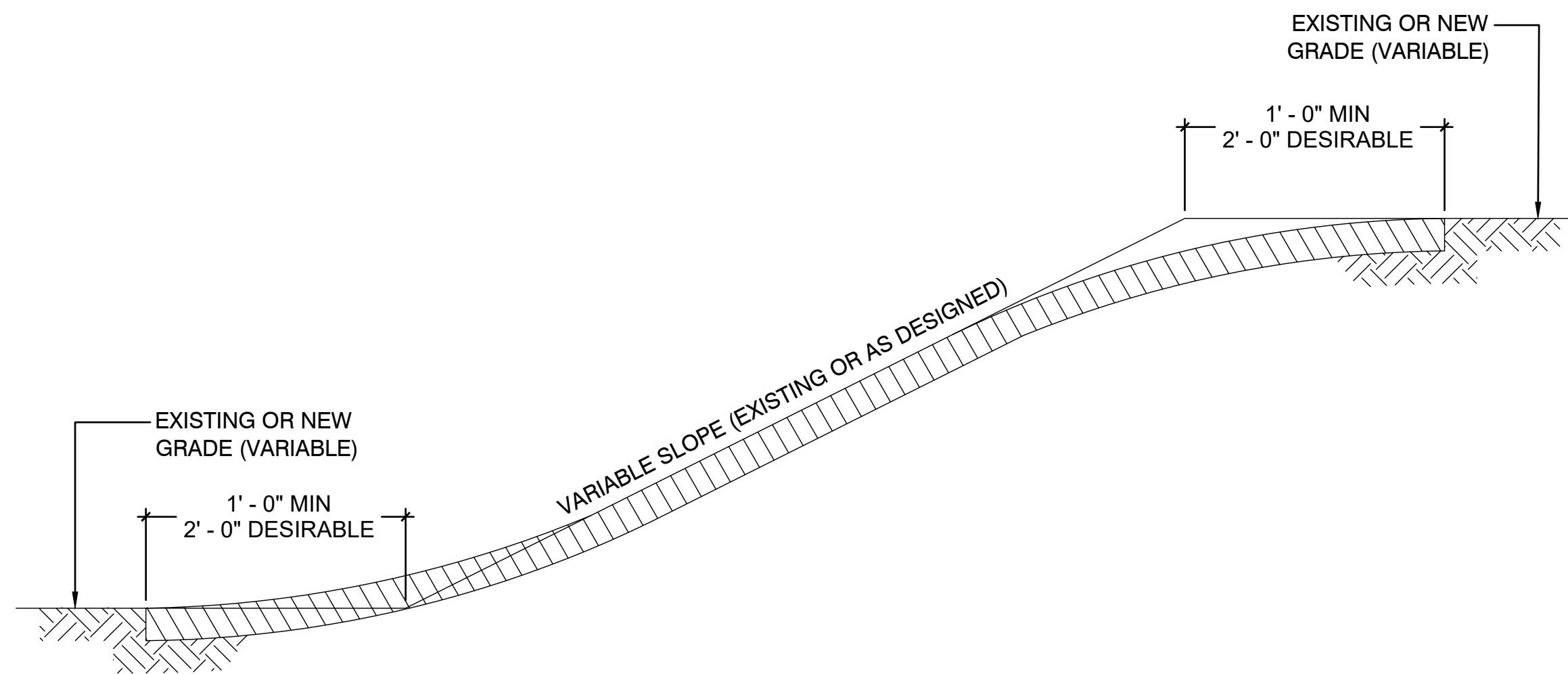
NOTES:

1. TREES SHALL BE 2" MINIMUM CALIPER.
2. THE HOLE FOR THE TREE SHALL BE EXCAVATED 2-3 TIMES THE SIZE OF THE ROOT BALL.
3. STAKE ONLY IF NECESSARY AND AS DIRECTED BY THE PROJECT MANAGER.
4. REMOVE ANY TWINE, ROPE, FLAGGING, WRAPPING OR GUARDS FROM TREE.
5. PRUNE ONLY DEAD OR BROKEN BRANCHES OR DOUBLE LEADERS AT TIME OF PLANTING.
6. ROOTBALL - ROOT COLLAR SHALL BE VISIBLE. REMOVE EXCESS SOIL FROM TOP OF BALL IF NEEDED. SET TOP OF BALL 1" TO 2" ABOVE FINISHED GRADE TO ALLOW FOR SETTLING. AFTER SETTING BALL IN PLANTING HOLE, CUT AWAY OR REMOVE THE ENTIRE WIRE BASKET. CUT AWAY OR REMOVE ALL ROPES OR TWINE FROM BALL. CUT AWAY OR REMOVE BURLAP. IF ROOT BALL BEGINS FALLING APART DURING INSTALLATION OR WHILE REMOVING THE WIRE BASKET, CUT AWAY ONLY HALF THE BURLAP.

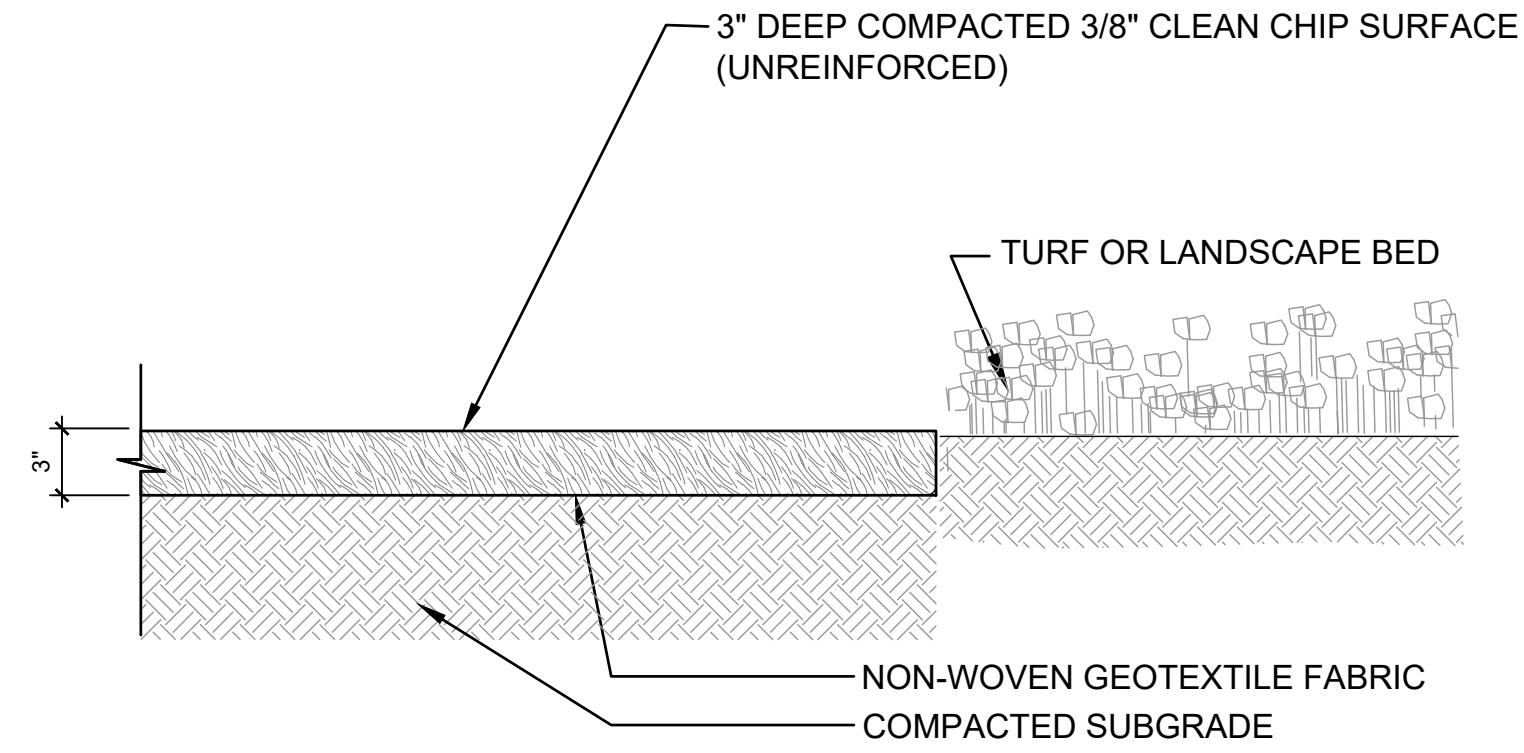
INSTALL TREE GUARD ON ALL TREES. (PREMIUM RIGID PLASTIC MESH TREE GUARD, 4 IN DIAMETER X 36IN LENGTH, BY A.M. LEONARD, (<https://www.amleo.com/>, (800)-543-8955)



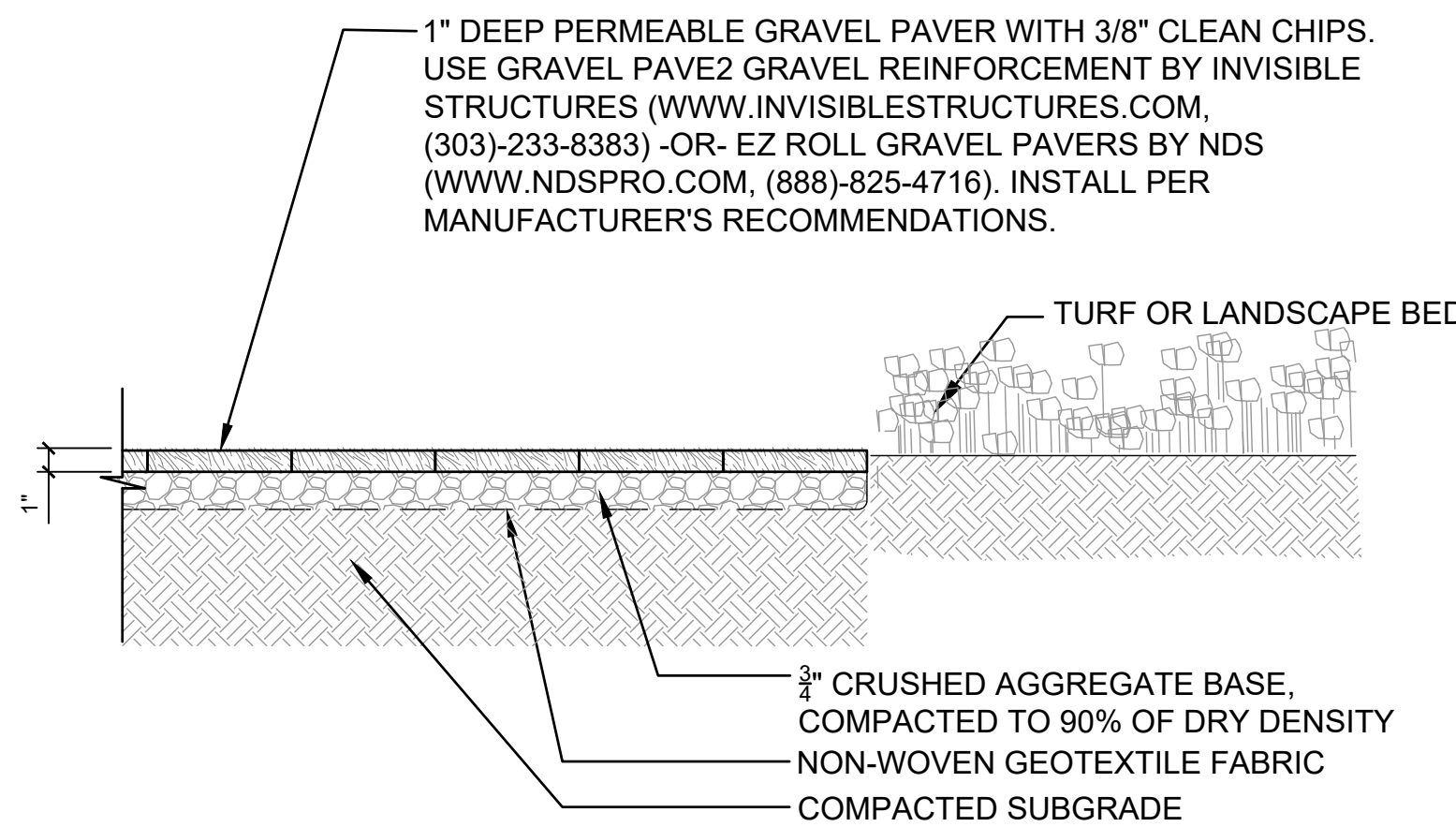
1 TREE PLANTING ON SLOPE
SCALE: NONE



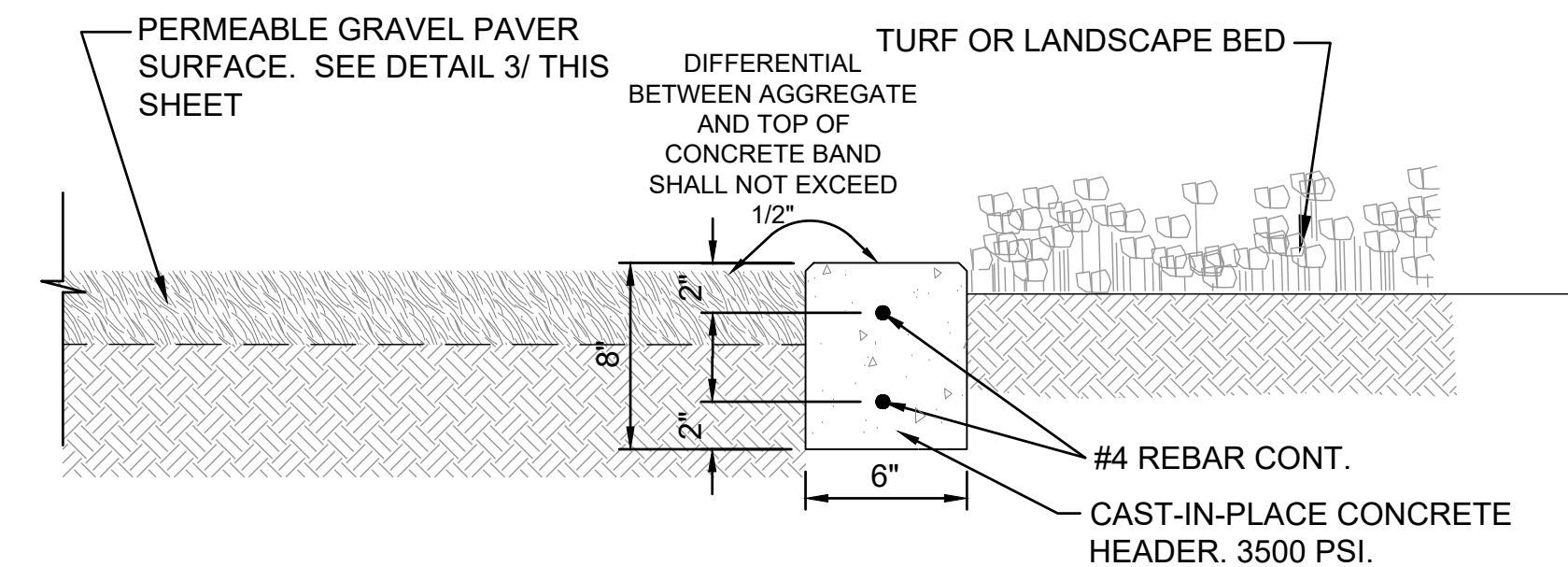
2 SLOPE ROUNDING
SCALE: NONE



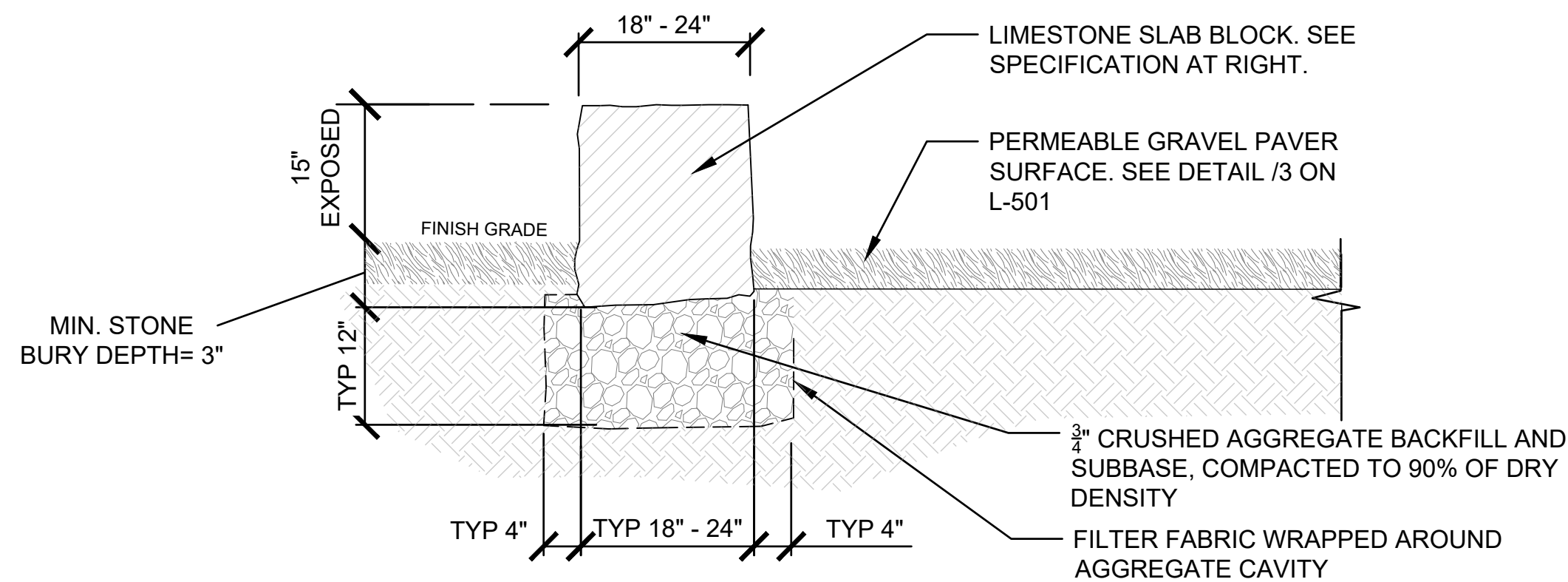
3A UNREINFORCED GRAVEL PAVER SURFACE WITH NATURAL EDGING (BASE BID)
SCALE: NONE



3B REINFORCED GRAVEL PAVER SURFACE WITH NATURAL EDGING (BID ALT. #4)
SCALE: NONE



4 PERMEABLE GRAVEL PAVER SURFACE WITH CONCRETE HEADER (ADD ALT #1)
SCALE: NONE



5 LIMESTONE BLOCK
SCALE: NONE

CRUSHED STONE:
USE LOCALLY AVAILABLE 3/8" CLEAN CHIPS

CONTRACTOR SHALL SUBMIT A 1 PINT SAMPLE TO THE OWNER FOR APPROVAL PRIOR TO ORDERING OR PROPOSING TO USE ANY MATERIAL NOT ON THIS LIST.

BID ALTERNATE #4- SEE DETAIL 3B BELOW
GRAVEL PAVE2 GRAVEL REINFORCEMENT BY INVISIBLE STRUCTURES (WWW.INVISIBLESTRUCTURES.COM, (303)-233-8383)
-OR-
EZ ROLL GRAVEL PAVERS BY NDS (WWW.NDSPRO.COM, (888)-825-4716)

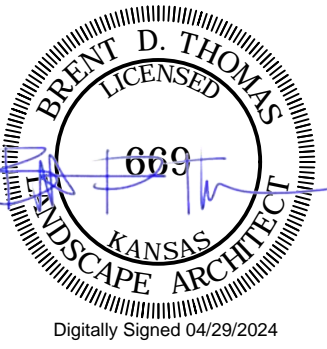
CRUSHED STONE:
USE LOCALLY AVAILABLE 3/8" CLEAN CHIPS.

CONTRACTOR SHALL SUBMIT A 1 PINT SAMPLE TO THE OWNER FOR APPROVAL PRIOR TO ORDERING OR PROPOSING TO USE ANY MATERIAL NOT ON THIS LIST.



© 2024 GARVER, LLC
THIS DOCUMENT, ALONG WITH THE IDEAS AND DESIGNS CONVEYED HEREIN, SHALL BE CONSIDERED INSTRUMENTS OF PROFESSIONAL SERVICE AND ARE PROPERTY OF GARVER, LLC. ANY USE, REPRODUCTION, OR DISTRIBUTION OF THIS DOCUMENT, ALONG WITH THE IDEAS AND DESIGN CONTAINED HEREIN, IS PROHIBITED UNLESS AUTHORIZED IN WRITING BY GARVER, LLC OR EXPLICITLY ALLOWED IN THE GOVERNING PROFESSIONAL SERVICES AGREEMENT FOR THIS WORK.

1995 Midfield Road
Wichita, KS 67209
(316) 264-8008



REV.	DATE	DESCRIPTION	BY

CITY OF WICHITA
DEPT. OF PARK & RECREATION
WICHITA, KANSAS
2024 PARK FACILITY
ENHANCEMENTS-
K9 ROOSTER DOG PARK
ENHANCEMENTS

LANDSCAPE DETAILS 01

JOB NO.: 2302060

DATE: MAY 2024

DESIGNED BY: BDT

DRAWN BY: HG

BAR IS ONE INCH ON ORIGINAL DRAWING

IF NOT ONE INCH ON THIS SHEET, ADJUST SCALES ACCORDINGLY.

DRAWING NUMBER

L-501

SHEET NUMBER