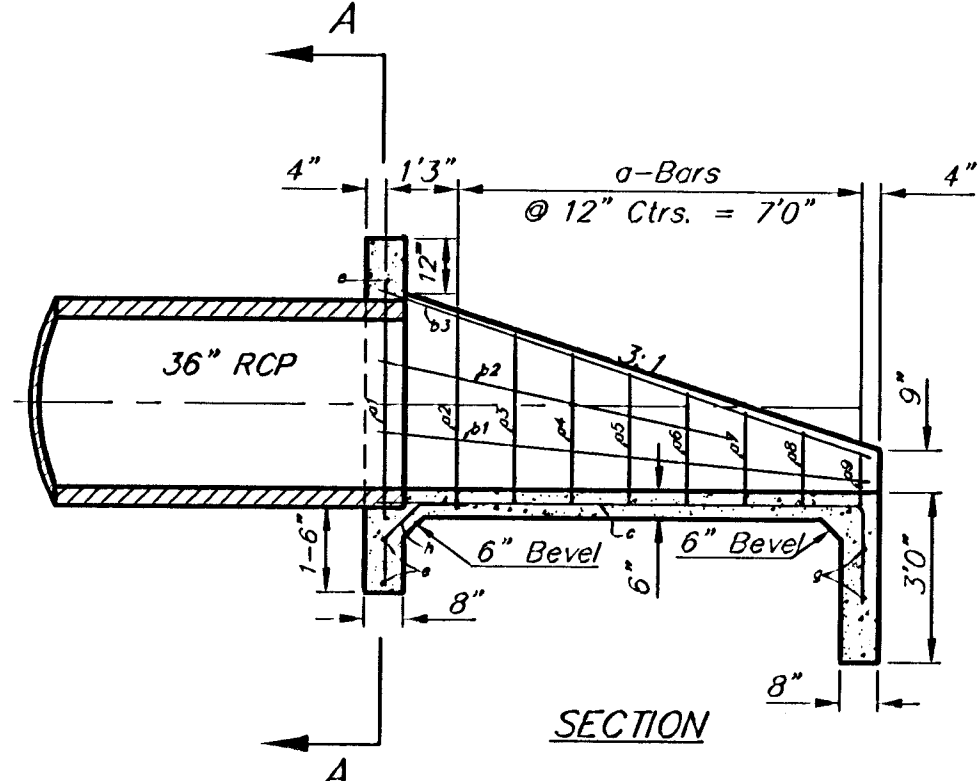
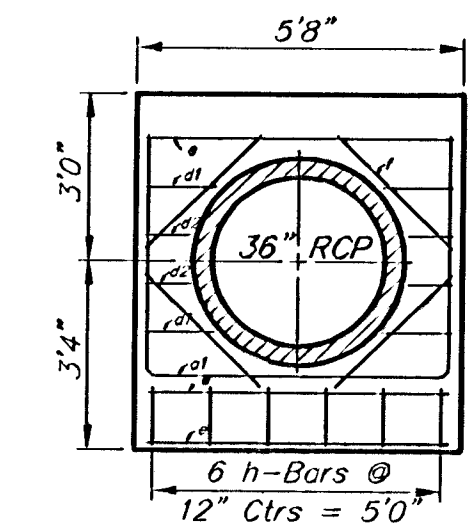


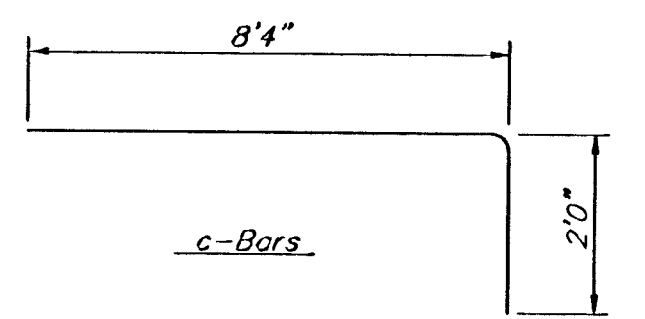
PLAN



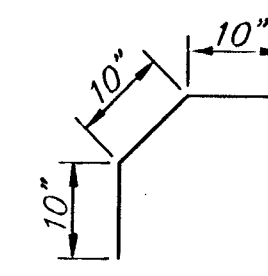
SECTION



SECTION A-A



c-Bars



h-Bars

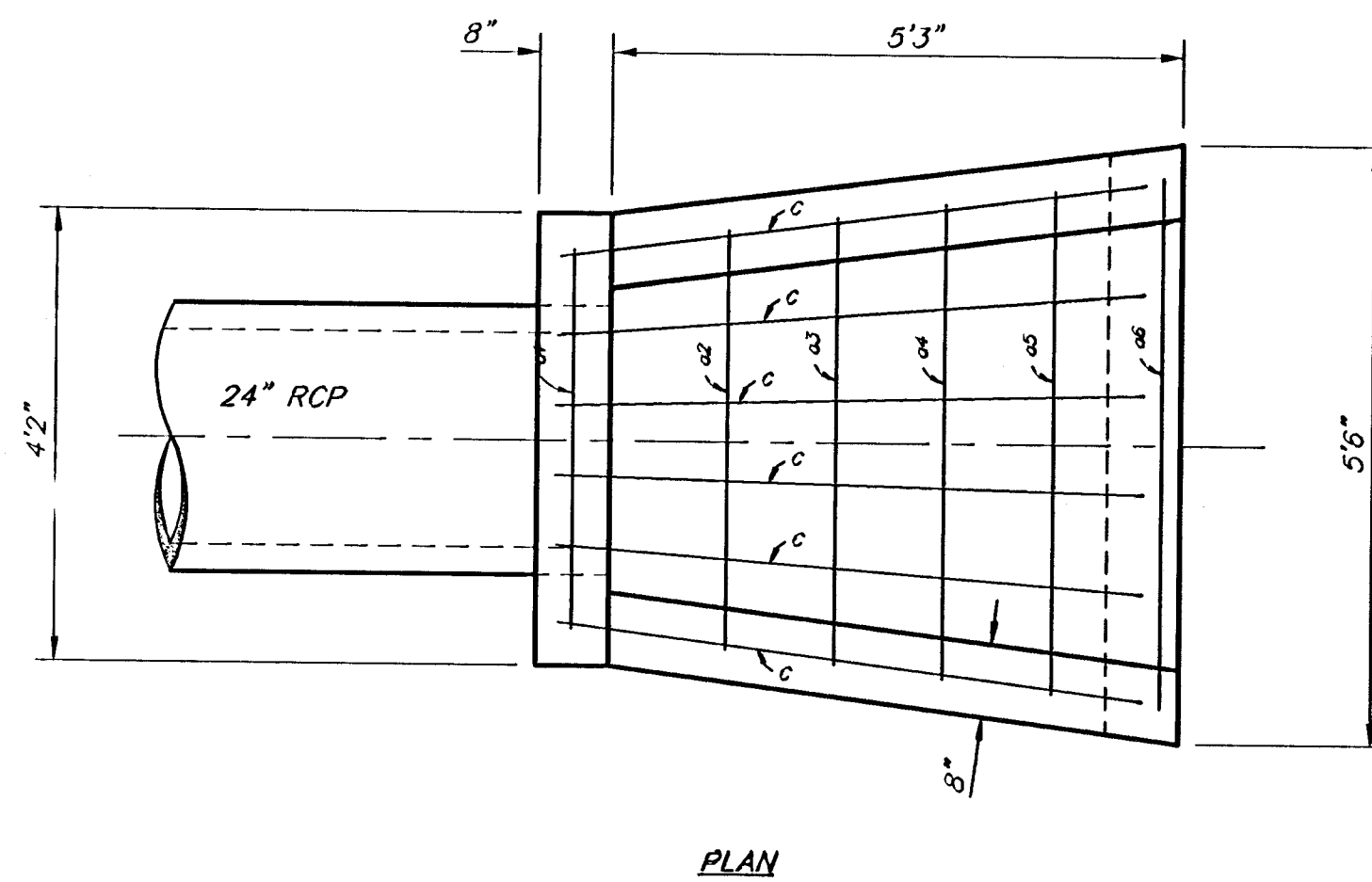
a-Bars	
a1	4'5"
a2	3'4"
a3	2'11"
a4	2'7"
a5	2'3"
a6	1'11"
a7	1'7"
a8	1'2"
a9	10"

REBAR SCHEDULE

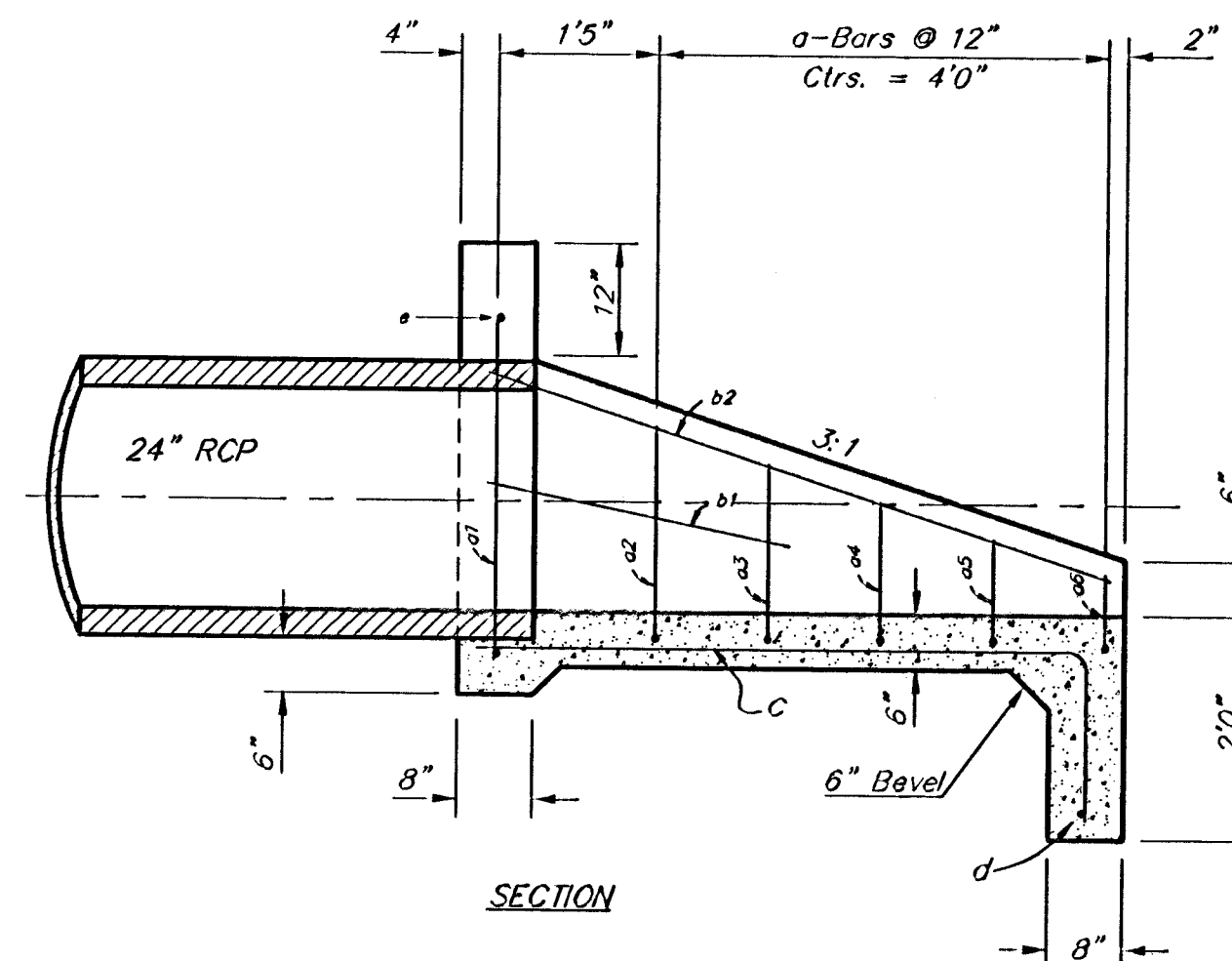
Bar	Shape	No.	Length	Weight
a1		1	14'0"	9.35
a2		1	11'0"	7.90
a3		1	11'3"	7.52
a4		1	10'10"	7.24
a5		1	10'5"	6.96
a6		1	10'0"	6.68
a7		1	9'7"	6.40
a8		1	9'0"	6.01
a9		1	8'7"	5.73
b1		2	8'5"	11.24
b2		2	4'7"	6.12
b3		2	9'0"	12.02
c		6	10'4"	41.42
d1		4	1'6"	4.01
d2		4	10"	2.23
e		3	5'4"	10.69
f		4	3'0"	8.02
g		2	7'0"	9.35
h		6	2'6"	10.02
Total Rebar			178.91 Lbs.	
Concrete			3.20 C.Y.	

A Deduction in Concrete Quantities Has Been Made for Pipe Openings Through the Headwall
 * Field Bend or Cut Reinforcing as Required for Clearance.
 All Concrete Reinforcement to be #4 Rebar
 All Rebar to Have Min. of 1 1/2" Conc. Cover

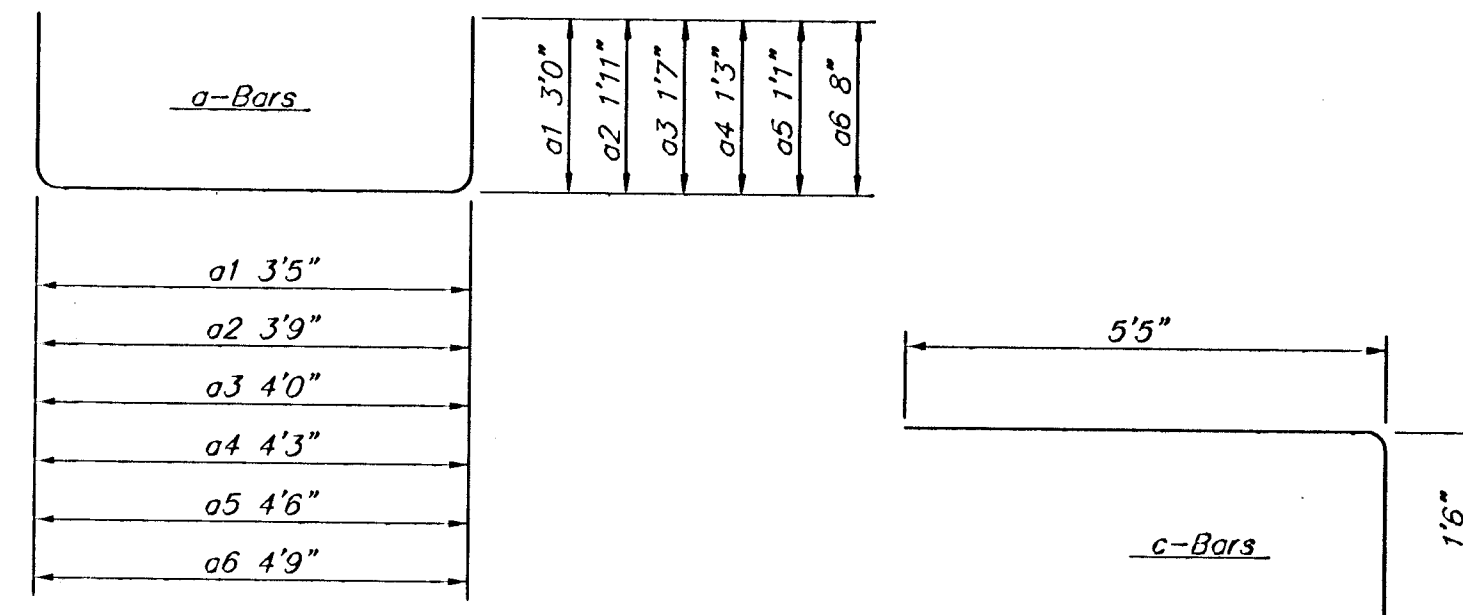
HEADWALL FOR 36" RCP



PLAN



SECTION



a-Bars

5'3"

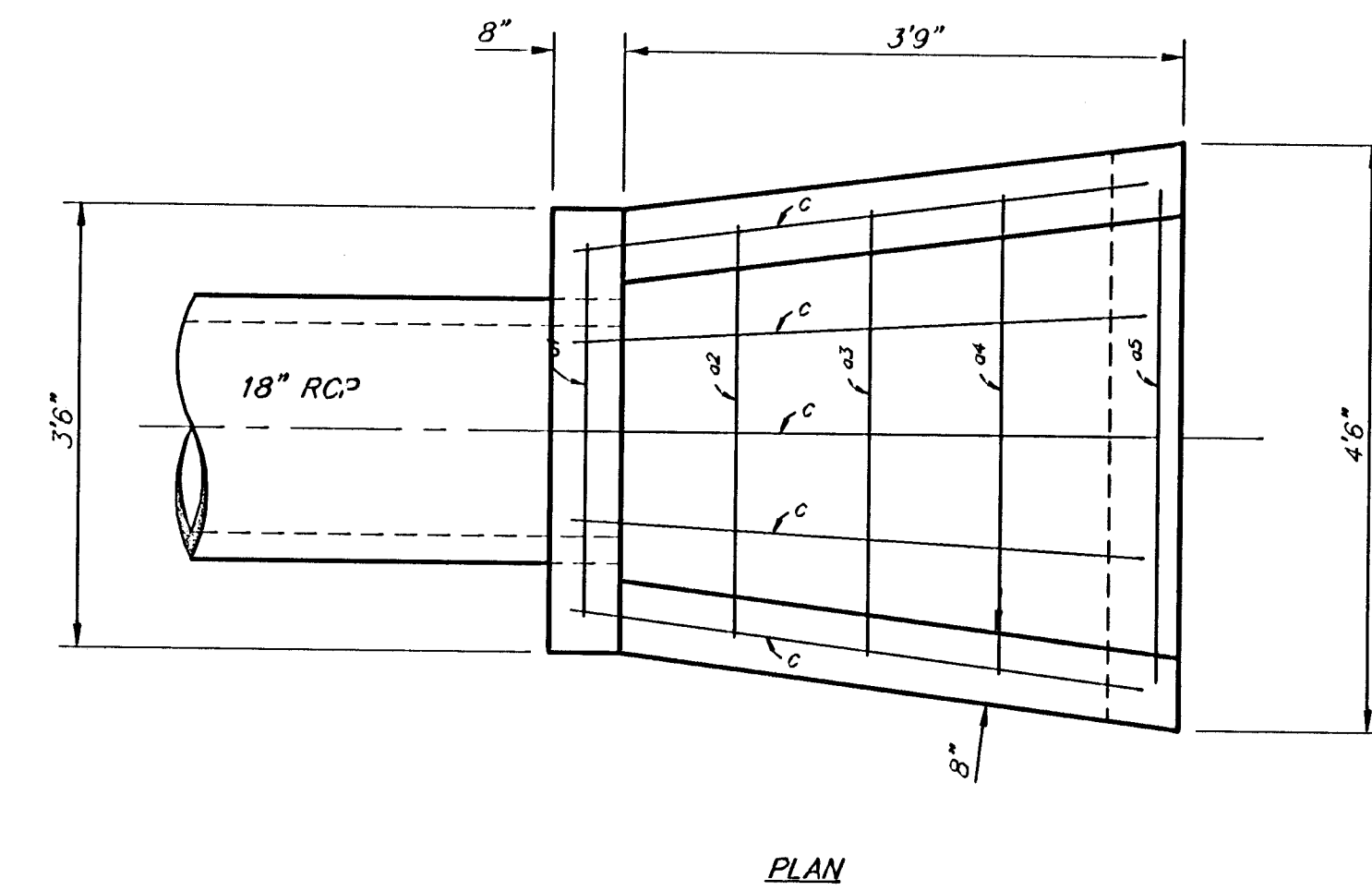
c-Bars

REBAR SCHEDULE

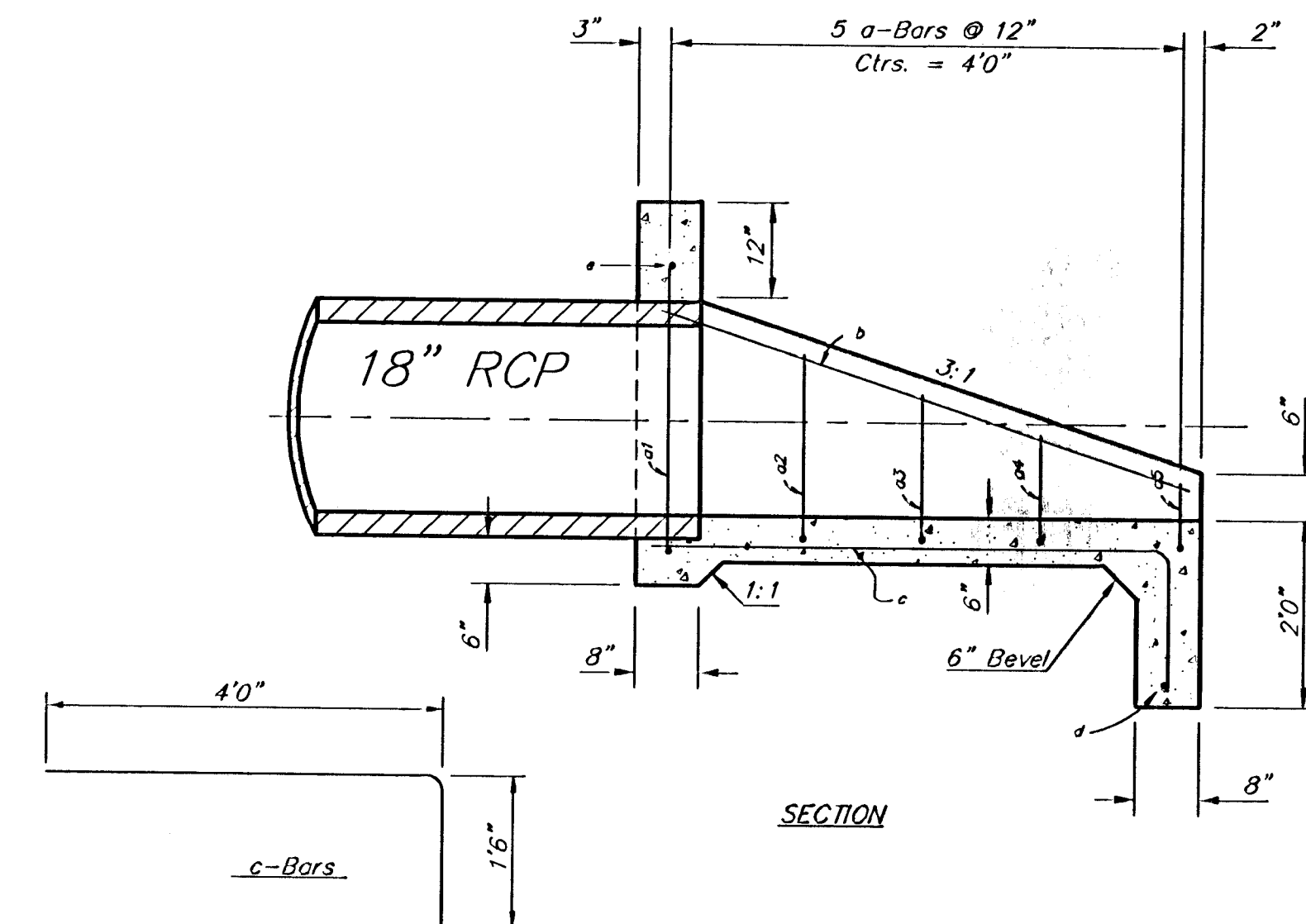
Bar	Shape	No.	Length	Weight
a1		1	9'5"	6.29
a2		1	7'7"	5.07
a3		1	7'2"	4.79
a4		1	6'9"	4.51
a5		1	6'4"	4.23
a6		1	6'1"	4.06
b1		2	2'9"	3.67
b2		2	5'10"	7.79
c		6	6'11"	27.72
d		1	5'0"	3.37
e		1	3'10"	2.56
Total Rebar			74.03 Lbs.	
Concrete			1.40 C.Y.	

A Deduction in Concrete Quantities Has Been Made for Pipe Openings Through the Headwall
 * Field Bend or Cut Reinforcing as Required for Clearance.
 All Concrete Reinforcement to be #4 Rebar
 All Rebar to Have Min. of 1 1/2" Conc. Cover

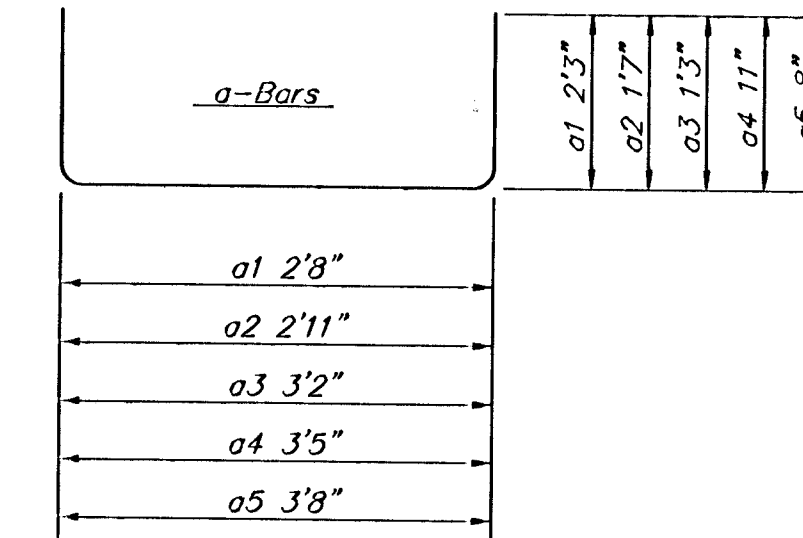
HEADWALL FOR 24" RCP



PLAN



SECTION



a-Bars

REBAR SCHEDULE

Bar	Shape	No.	Length	Weight
a1		1	7'2"	4.79
a2		1	6'1"	4.06
a3		1	5'8"	3.79
a4		1	5'3"	3.51
a5		1	5'0"	3.34
b		2	4'0"	5.34
c		5	5'6"	18.37
d		1	4'0"	2.67
e		1	3'2"	2.12
Total Rebar			47.99 Lbs.	
Concrete			0.91 C.Y.	

A Deduction in Concrete Quantities Has Been Made for Pipe Openings Through the Headwall
 * Field Bend or Cut Reinforcing as Required for Clearance.
 All Concrete Reinforcement to be #4 Rebar
 All Rebar to Have Min. of 1 1/2" Conc. Cover

HEADWALL FOR 18" RCP

GENERAL NOTES
 1. All pipes shall be flush cut prior to being cast into concrete headwall.
 2. Concrete used in headwall construction shall be same as per city standard paving mix except that it shall have a minimum 28 day compressive strength of 4000 psi.
 3. All exposed edges shall be beveled 1/2".
 4. Reinforcing steel shall comply to a.s.t.m. designation a615 grade 60. All dimensions relative to reinforcing steel are to centerline of bar unless otherwise noted.
 5. The "Rein. Conc. Headwall" shall be paid for at the unit price bid per each in place which shall include all labor, materials, excavation, concrete, reinforcing steel and all other incidental items necessary to complete the work. Material quantities shown are for information only.
 6. A deduction in concrete quantities has been made for pipe openings through the headwall.
 7. All concrete reinforcement to be #4 Rebar.
 8. All rebar to have min. of 1 1/2" conc. cover.

Baughman Clifton Cove Addition
HEADWALL DETAIL
 STORM WATER DRAIN #269

Baughman Company, P.A. 315 11th St. W. White, KS 67111 P 316-262-7171 F 316-262-1419
 ENGINEERING | SURVEYING | PLANNING | LANDSCAPE ARCHITECTURE

PROJECT NUMBER: 468-84024
 DESIGN: Staff
 DRAWN: Staff

REVISIONS:
 APPROVED: DATE: 5/30/06
 SCALE: Noted
 SHEET: 16 OF 25

Clifton Cove Addition