

PAVING FOR CASTLE ROCK & STREET IMPROVEMENTS

to serve

**KRUG NORTH ADDITION - PHASE I**

Castle Rock from the south line of the plat to the north line of Lot 4, Block C  
 Peppertree from the west line of Castle Rock, west to the east line of Burning Tree  
 Burning Tree from the south line of Peppertree to the north line of Lot 16, Block A  
 22nd St. N. from the west line of Castle Rock to the east line of Burning Tree  
 Castle Rock Ct. from the east line of Castle Rock, east to and including the cul-de-sac

**CITY OF WICHITA, KANSAS**

Neil Cable, P.E. City Engineer

Project Number

**472-83973**

O.C.A. Number:

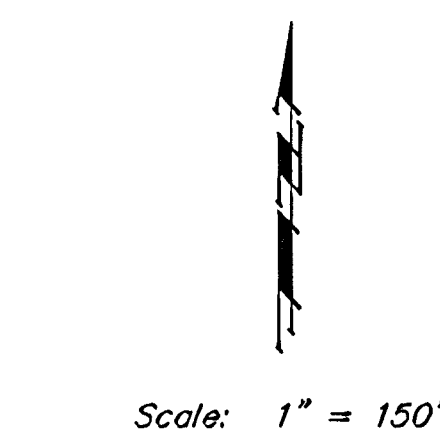
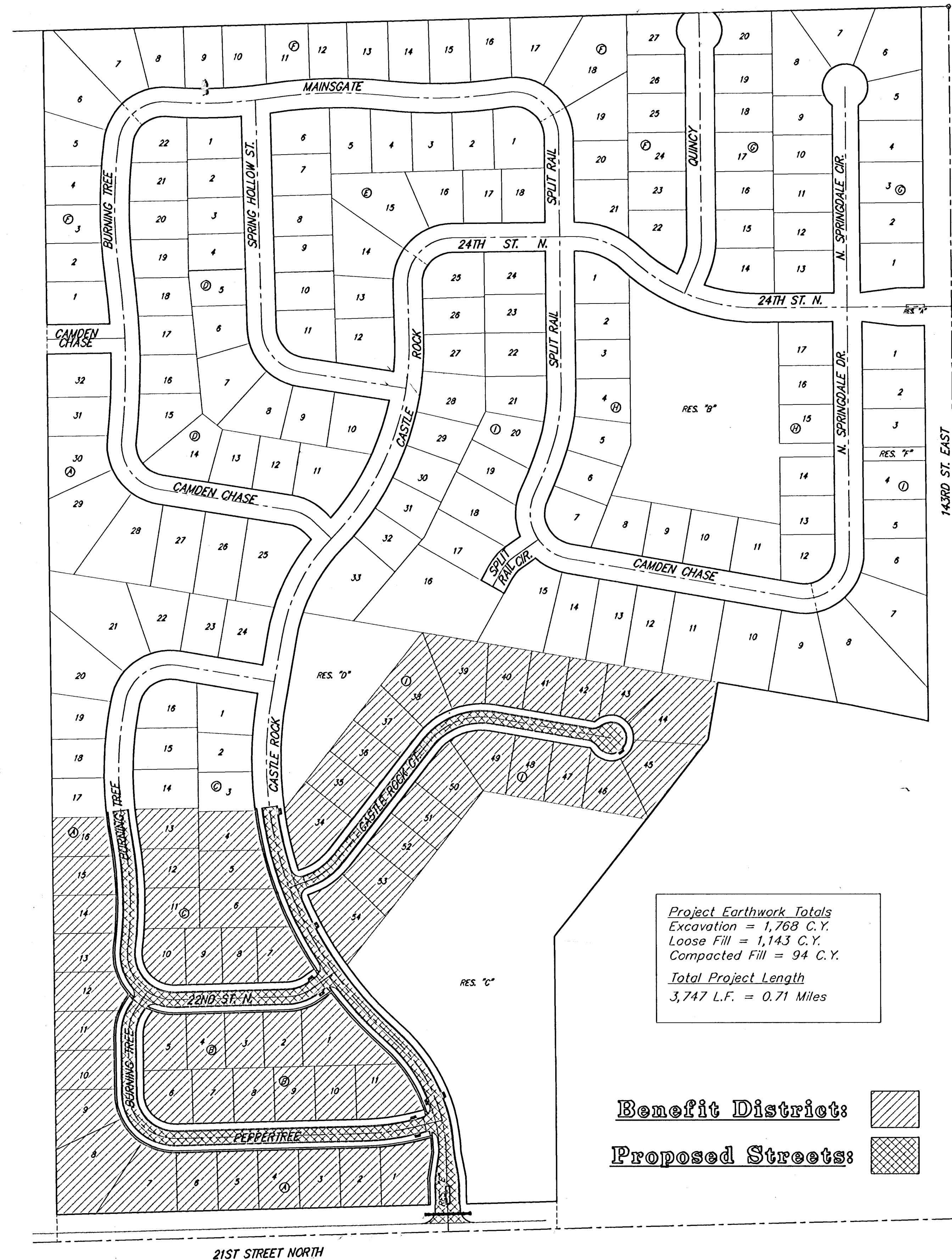
**765866**

Sheet Index

Title Sheet	1
35' Pavement Detail	2
29' Pavement Detail	3
Sign Detail	4
Miscellaneous Details	5
Entrance Detail	6
Castle Rock	7-8
Burning Tree/Peppertree	9-10
Burning Tree/22nd St. N.	11-12
Castle Rock Ct.	13-14
Soil Erosion BMPs	15-18
Erosion Control Plan & Easement Grading Plan	19
Street X-Sections	20-29
Copy of Plat	30

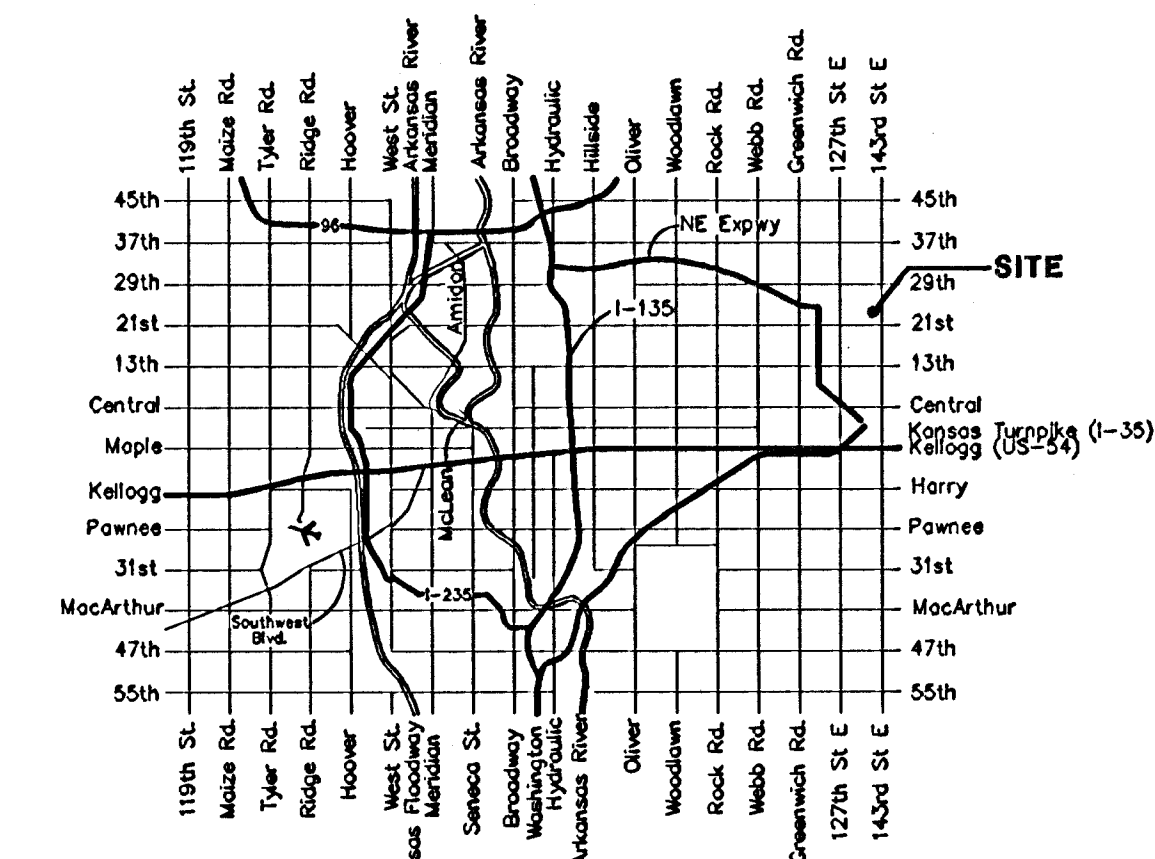
GENERAL NOTES:

- Contractor will be required to provide notice to utility companies a minimum of twenty-four (24) hours prior to any excavation, as follows:  
 Kansas One-Call 687-2470  
 The Contractor must notify the following in case of an emergency:  
 Cox Communications 262-4270  
 Kansas Gas Service 1-888-482-4950  
 Westar Energy 383-8850  
 Aquila Energy 1-800-303-0357  
 SBC 268-2245  
 City of Wichita Water Dept. 268-4563  
 City of Wichita Sewer Maint. 268-4024  
 City of Wichita Storm Sewer Maint. 268-4090  
 City of Wichita Traffic Maint. 268-4034  
 Conoco Pipeline Co. 1-800-231-2551  
 Southern Star Pipeline Co. 529-8600  
 Phillips Pipeline Co. 1-800-766-8230
- Utility service lines, poles, valve boxes, meters, and etcetera are to be adjusted as necessary by others prior to construction unless the plans specifically call for their adjustment by the Contractor or unless the plans specifically identify a utility to be adjusted by its owner during construction. Existing utilities and their location, as shown on the plans, represent the best information obtainable for design. The Contractor will be required to work around existing utilities within the right-of-way which do not conflict with proposed construction.
- Rubble from the removal of miscellaneous structures and excess excavation which is to be wasted shall be disposed of on sites to be provided by the Contractor. These sites shall be approved by the Engineer as to suitability, appearance and site location. Location, in the opinion of the Engineer, that will leave an unsightly appearance will not be approved. All disposal sites must be approved by the Kansas Department of Health and Environment. Material either stockpiled or disposed of in a flood plain would require a Kansas State Board of Agriculture permit. Any material dumped in waters of the United States or waters is subject to U.S. Corps of Engineers permitting regulations. Any material buried or stockpiled beyond approved construction limits would require additional archaeological investigations unless buried in a previously approved borrow location.
- Trees and shrubs in public right-of-way which are in direct conflict with proposed new construction shall be removed by the Contractor with the Engineer's approval. Trees and shrubs which are not in direct conflict with proposed new construction shall be saved and protected from damage.
- The Contractor shall give all property owners and/or tenants of developed property abutting the construction of this project a minimum of ten (10) days advance notice prior to start of construction.
- The Contractor shall be responsible for preserving property irons. The Contractor will be required to re-establish any property irons which are damaged or destroyed by his construction operations. Such irons shall be re-established by a licensed land surveyor in accordance with state laws.
- All existing and proposed erosion control measures including silt fencing, erosion control mat, straw bales, inlet barriers, and const. entrance shall be maintained throughout construction by the contractor and until project is accepted by the City of Wichita. The on-site engineer shall complete weekly reports on the status of erosion control measures. The contractor shall be required to comply with maintenance and/or replacement of erosion control measures as determined by the on-site engineer until project is accepted by City of Wichita. Maintenance and/or replacement of erosion control measures to be paid by L.S. bid item "Erosion Control BMP's."
- All excess excavation shall remain on-site and shall be stockpiled or spread at a location determined by the engineer.
- All areas disturbed during construction shall be seeded at 300 lbs./acre with Ryegrass immediately following construction in that area. Contractor shall prepare ground per City Specifications.
- A saw cut of at least one-half the depth of existing surface courses or one-fourth the depth of the existing total pavement thickness shall be provided at locations where proposed construction abuts the existing surface course or pavement for which partial removal of that surface or pavement is required. Sawed joint to facilitate removal within three (3) feet of existing joints will not be permitted and for such instances the limits of removal shall extend to the existing joint. Such saw cuts will not be paid for directly and this cost shall be considered as subsidiary to the removal of the surface or pavement.
- The contractor shall adjust valve boxes as necessary to match proposed grade. Cost to be included in bid item, "Site Clearing & Restoration."
- Limits of earthwork shall match existing ground elevations at the right-of-way line unless otherwise noted on the plans with a new finished grade elevation. When a new finished grade elevation is shown, the earthwork shall extend one foot beyond the right-of-way line and then slope up or down using permissible slopes to match the existing ground surface.



Project Earthwork Totals  
 Excavation = 1,768 C.Y.  
 Loose Fill = 1,143 C.Y.  
 Compacted Fill = 94 C.Y.  
Total Project Length  
 3,747 L.F. = 0.71 Miles

**Benefit District:** [Hatched Box]  
**Proposed Streets:** [Cross-hatched Box]



Vicinity Map

