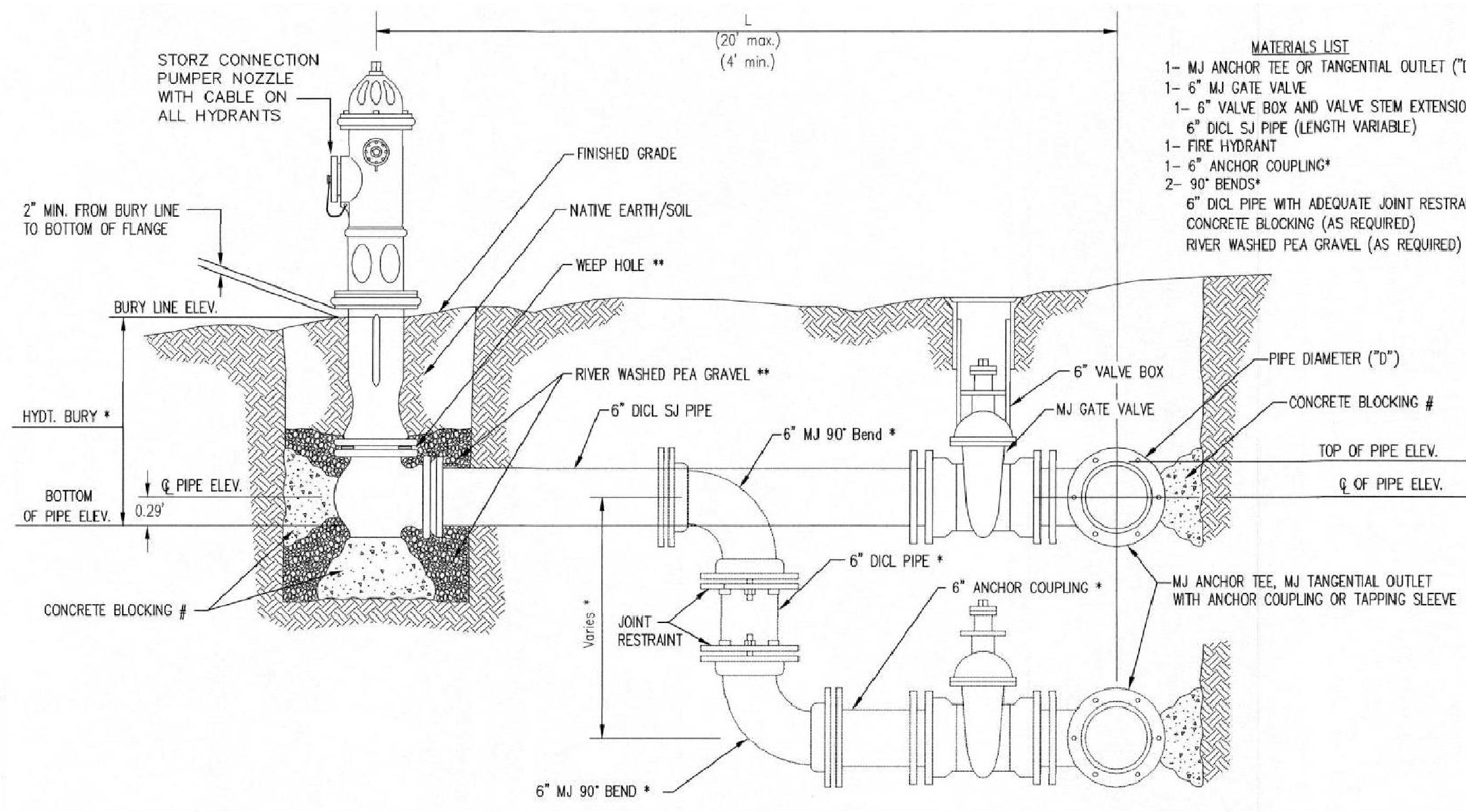
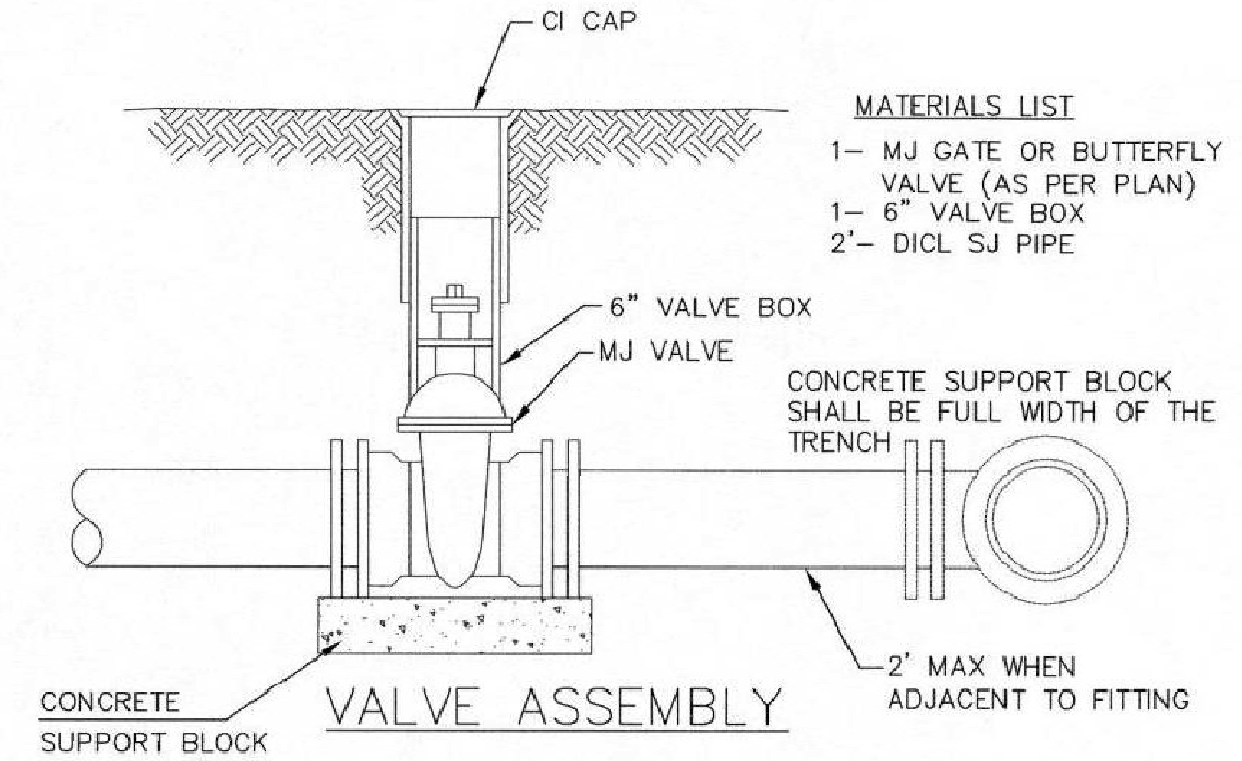


1 2 3 4 5 6

A
B
C
D
E

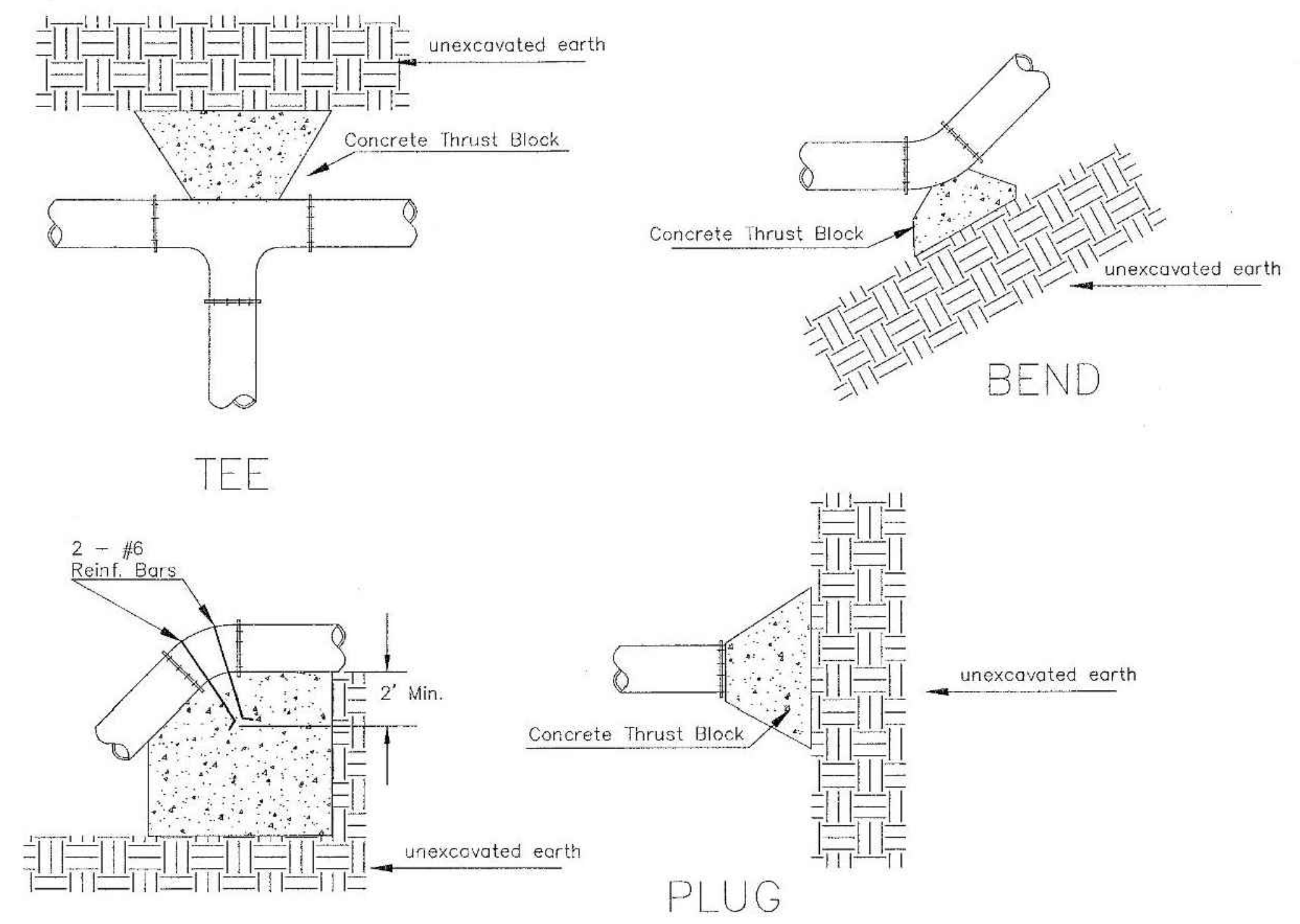


- MATERIALS LIST**
- 1- MJ ANCHOR TEE OR TANGENTIAL OUTLET (12" x 6")
 - 1- 6" MJ GATE VALVE
 - 1- 6" VALVE BOX AND VALVE STEM EXTENSION IF REQUIRED *
 - 6" DI CL SJ PIPE (LENGTH VARIABLE)
 - 1- FIRE HYDRANT
 - 1- 6" ANCHOR COUPLING*
 - 2- 90° BENDS*
 - 6" DI CL PIPE WITH ADEQUATE JOINT RESTRAINT *
 - CONCRETE BLOCKING (AS REQUIRED)
 - RIVER WASHED PEA GRAVEL (AS REQUIRED)



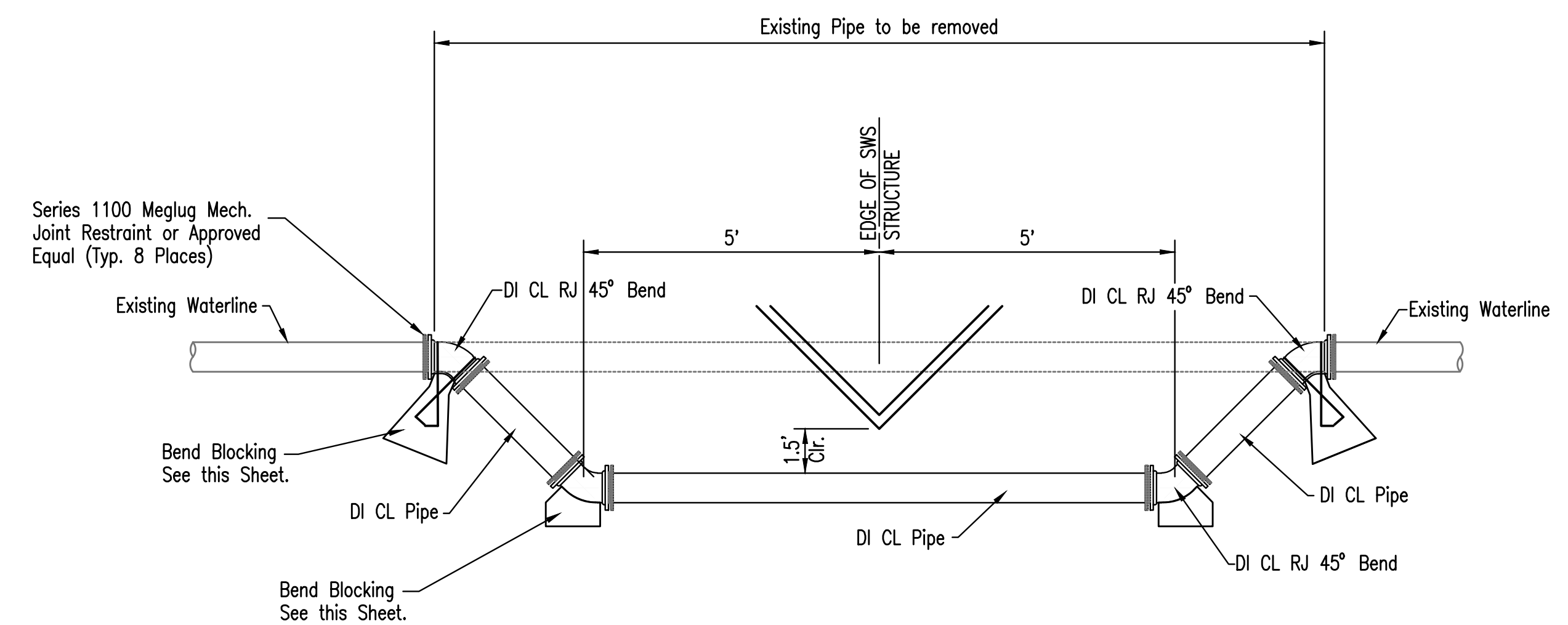
- MATERIALS LIST**
- 1- MJ GATE OR BUTTERFLY VALVE (AS PER PLAN)
 - 1- 6" VALVE BOX
 - 2- DI CL SJ PIPE

- MATERIALS LIST**
- 1- MJ GATE OR BUTTERFLY VALVE (AS PER PLAN)
 - 1- MJ ANCHOR COUPLING (12" OR SMALLER)
 - 1- 6" VALVE BOX
 - CONCRETE SUPPORT BLOCK SHALL BE FULL WIDTH OF THE TRENCH



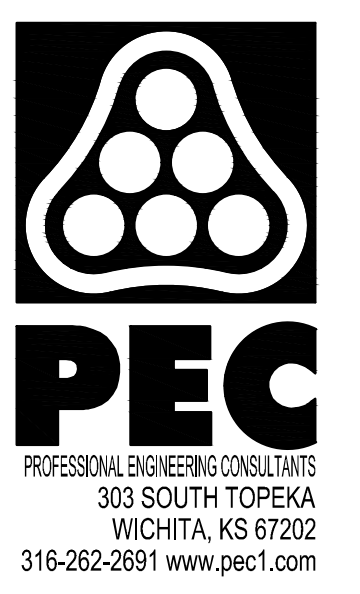
PIPE SIZE	THRUST AT FITTINGS IN TONS - AT 150#/IN ² P					
	PLUG	90°	45°	22 1/2°	11 1/4°	TEE
6"	2.8	3.95	2.15	1.09	.55	2.8
8"	4.9	6.95	3.75	1.90	.96	4.9
12"	11.4	16.1	8.75	4.45	2.25	11.4
16"	20.15	28.5	15.4	7.85	3.95	20.15
20"	31.15	44.0	23.85	12.15	6.10	31.15
24"	44.55	63.0	34.1	17.4	8.75	44.55

TYPICAL THRUST BLOCKS



WATERLINE ADJUSTMENT DETAIL (TYPICAL) φ
NOT TO SCALE

φ WATERLINE ADJUSTMENT (TYPICAL) NOTE:
CONFLICTS WITH EXISTING WATER LINES ARE UNKNOWN, THEREFORE PRIOR TO INSTALLING THE STORM WATER SEWER AND STRUCTURES, THE CONTRACTOR SHALL EXCAVATE THE EXISTING WATER MAIN AT ALL CROSSINGS, DETERMINE THE HORIZONTAL AND VERTICAL LOCATIONS AND REPORT THIS INFORMATION TO THE ENGINEER. IF NECESSARY, THE CONTRACTOR SHALL ADJUST THE WATERLINE AS SHOWN. CONTRACTOR SHALL COORDINATE SHUT-DOWN OF THE EXISTING WATER MAINS WITH THE CITY, AND SHALL MINIMIZE THE LOSS OF WATER SERVICE TO WATER CUSTOMERS TO A MAXIMUM PERIOD OF 4 HOURS. ANY CUSTOMERS THAT WILL HAVE WATER SERVICE AFFECTED BY THIS WORK SHALL BE PROVIDED WRITTEN NOTICE AT LEAST 72 HOURS PRIOR TO THE SHUTDOWN. ALL FITTINGS, ADAPTORS, PIPE, INCIDENTALS AND ALL WORK NECESSARY TO COMPLETE THIS RELOCATION SHALL BE INCLUDED IN THE LUMP SUM BID PRICE FOR "WATERLINE ADJUSTMENT".



STORMWATER SEWER IMPROVEMENTS
AT WASSALL AND HYDRAULIC

CITY OF WICHITA
SEDGWICK COUNTY, KANSAS
458-2024-085592

Issue:		

JOB NO.	237042-005
DATE	JANUARY 2025
PM	KMS
DESIGNED BY	HJW
DRAWN BY	BJH
CHECKED BY	TPA

UTILITY ADJUSTMENT & RELOCATION DETAILS

1 2 3 4 5 6

SAVED 1/3/2025 1:39:44 PM BY HUNTER WILES
PLOTTED 1/3/2025 2:16:24 PM BY BRADLEY HAYNES
U:\WICHITA-CIVIL\2023\237042\05\2PD4_PLANS\03\237042-005-CP501.DWG