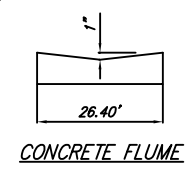
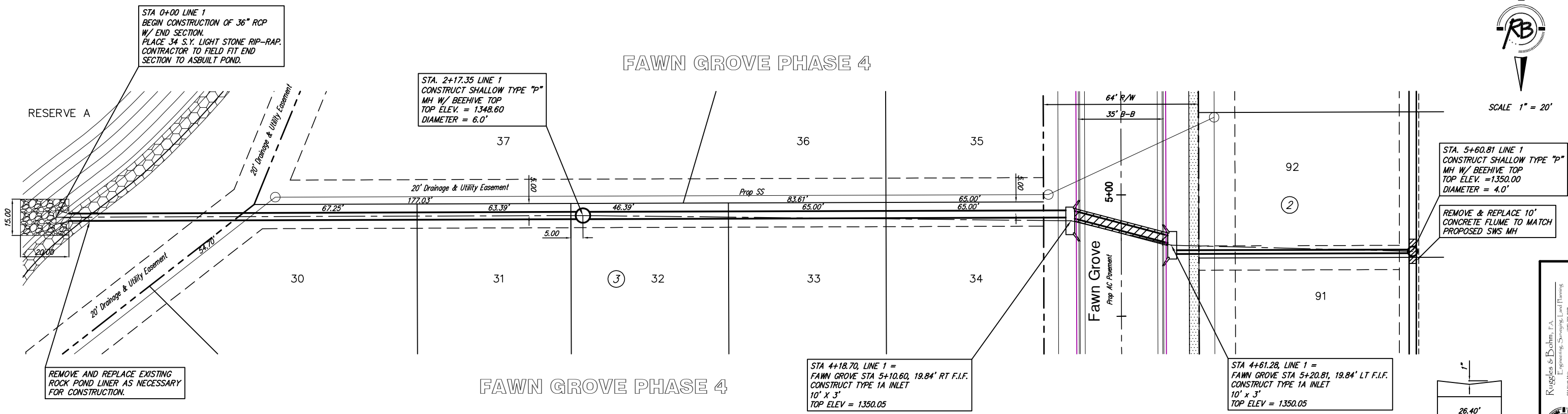


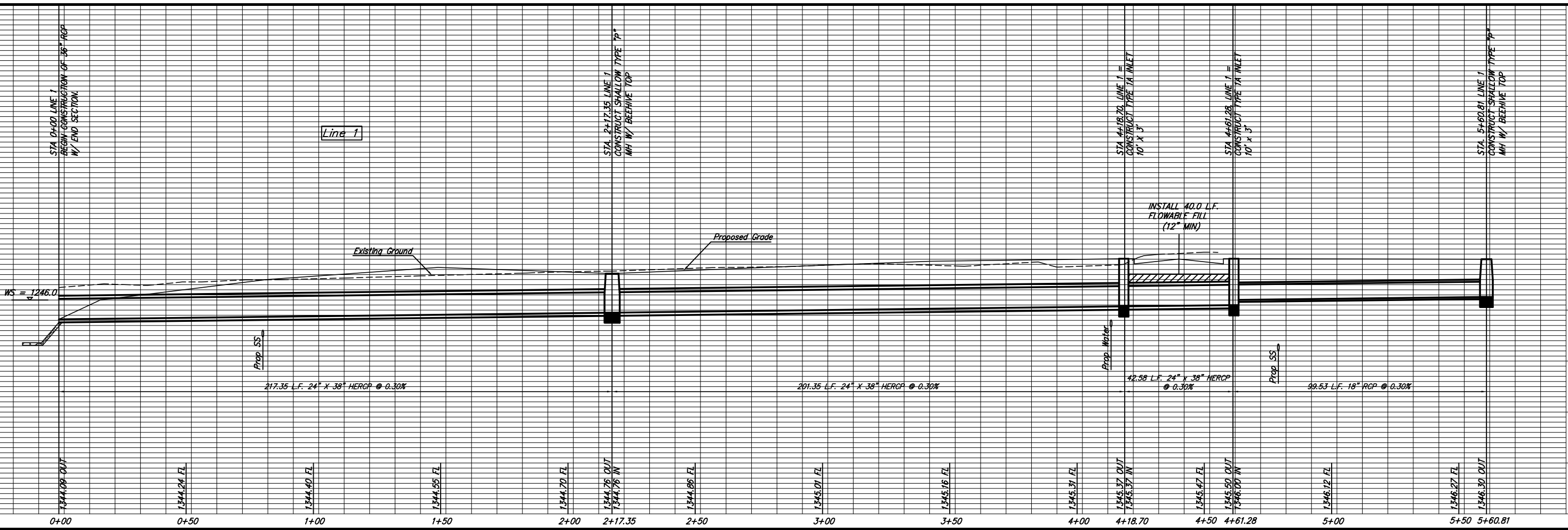


SCALE 1" = 20'

FAWN GROVE PHASE 4



Ruggles & Bohm, P.A.
 Engineering, Surveying, Land Planning
 1000 West 10th Street
 Wichita, Kansas 67202
 Phone: 316.261.0000
 Fax: 316.261.0001
 Email: info@ruggles.com



PROJECT NUMBER	472-8678
DRAWING FILE	SWS (SWS Line 1)
DESIGN	EJG
REVIEW	RLS
DATE	June 13, 2007
UTILITY	

FAWN GROVE PHASE 4
Storm Water Sewer
WICHITA, KANSAS

REVISIONS:

NO.	DATE	DESCRIPTION
1	June 13, 2007	REVIEW

RB JOB: 3075E
SHEET: 10 OF 32