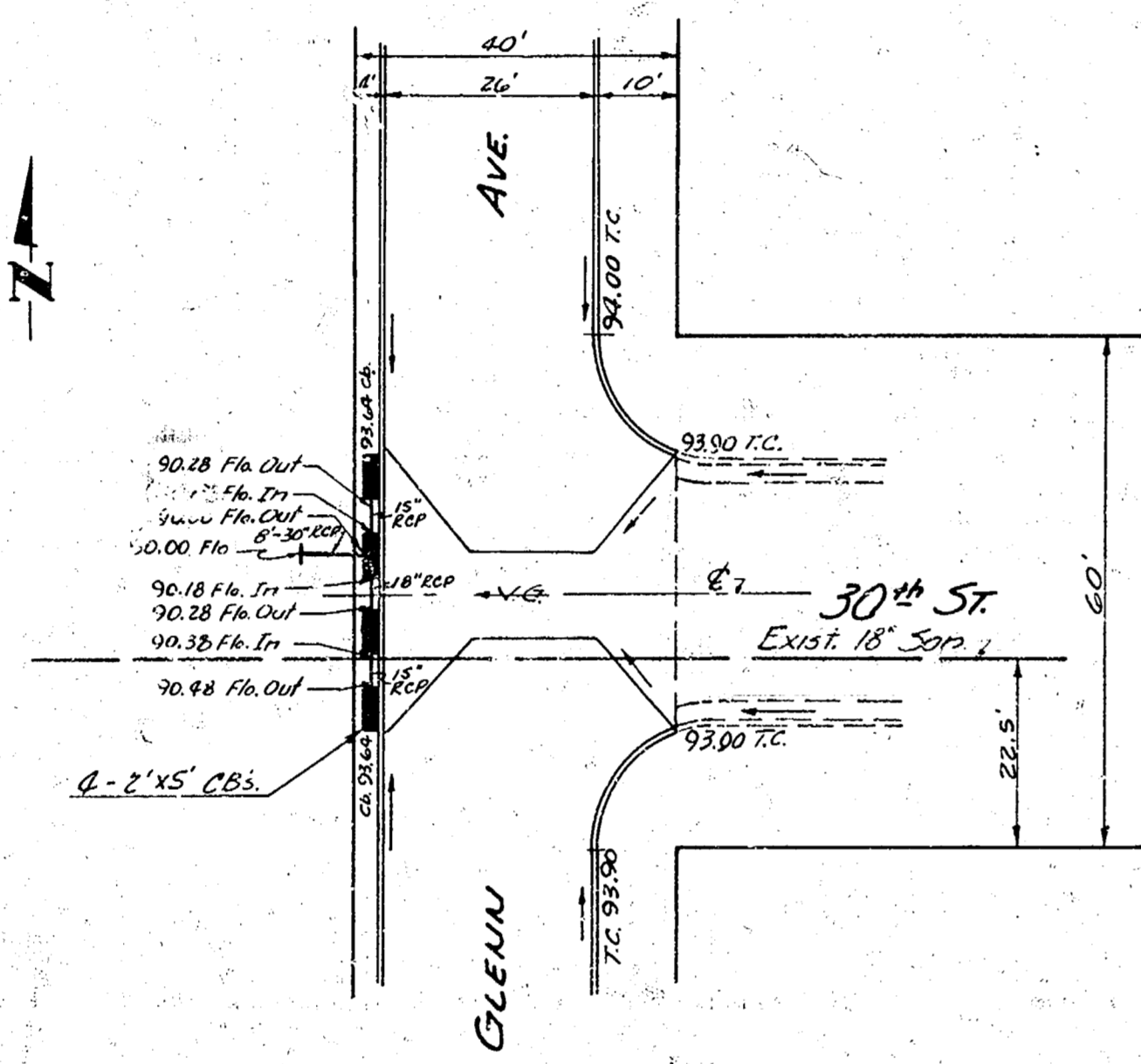
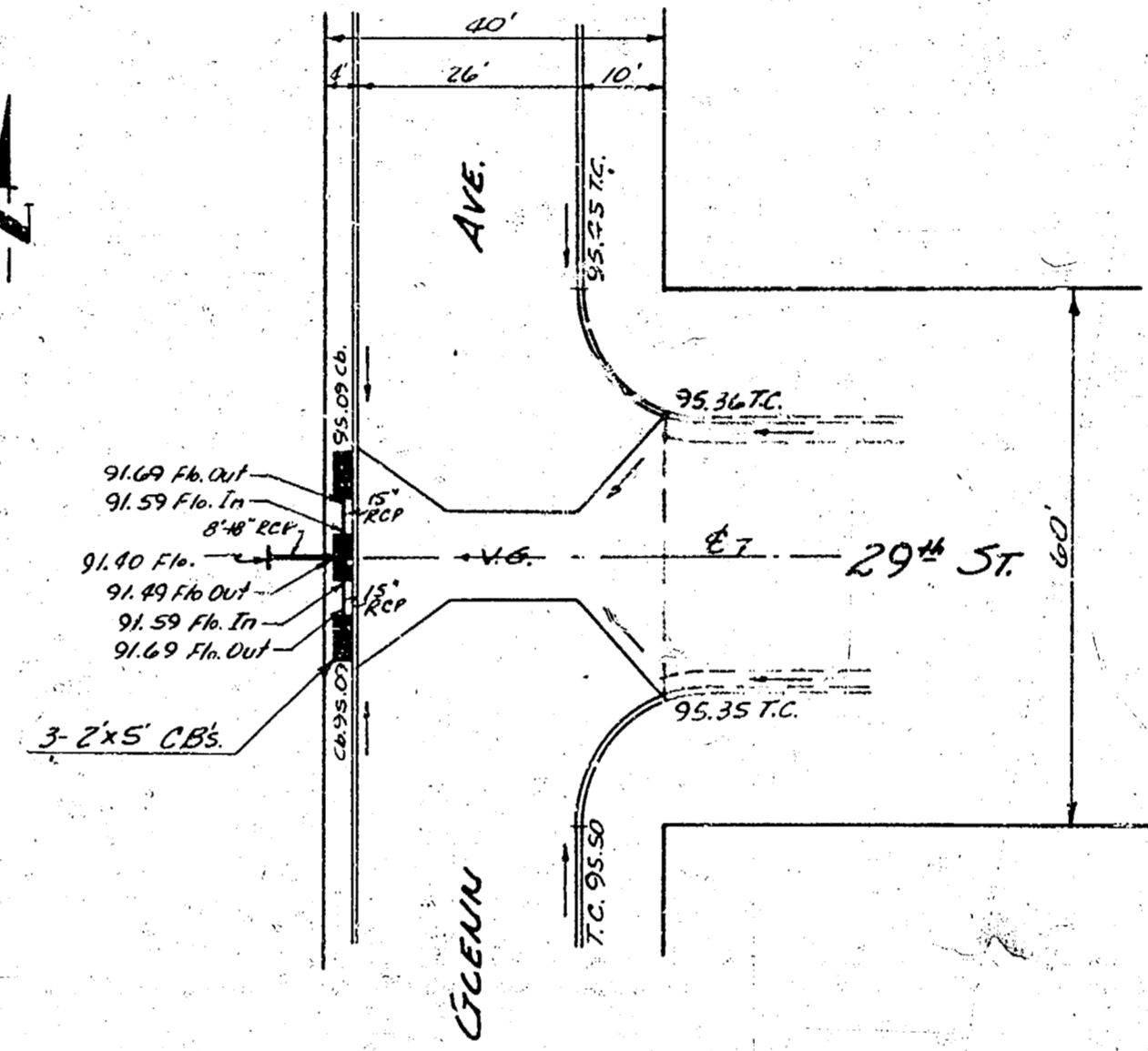


B.M. 95.65 Std. 2" W. Northeast Cor. Glenn & 31st So.
 B.M. 98.045 City Sid 6" E. & 2nd So. SW Cor. Glenn & 27th So.

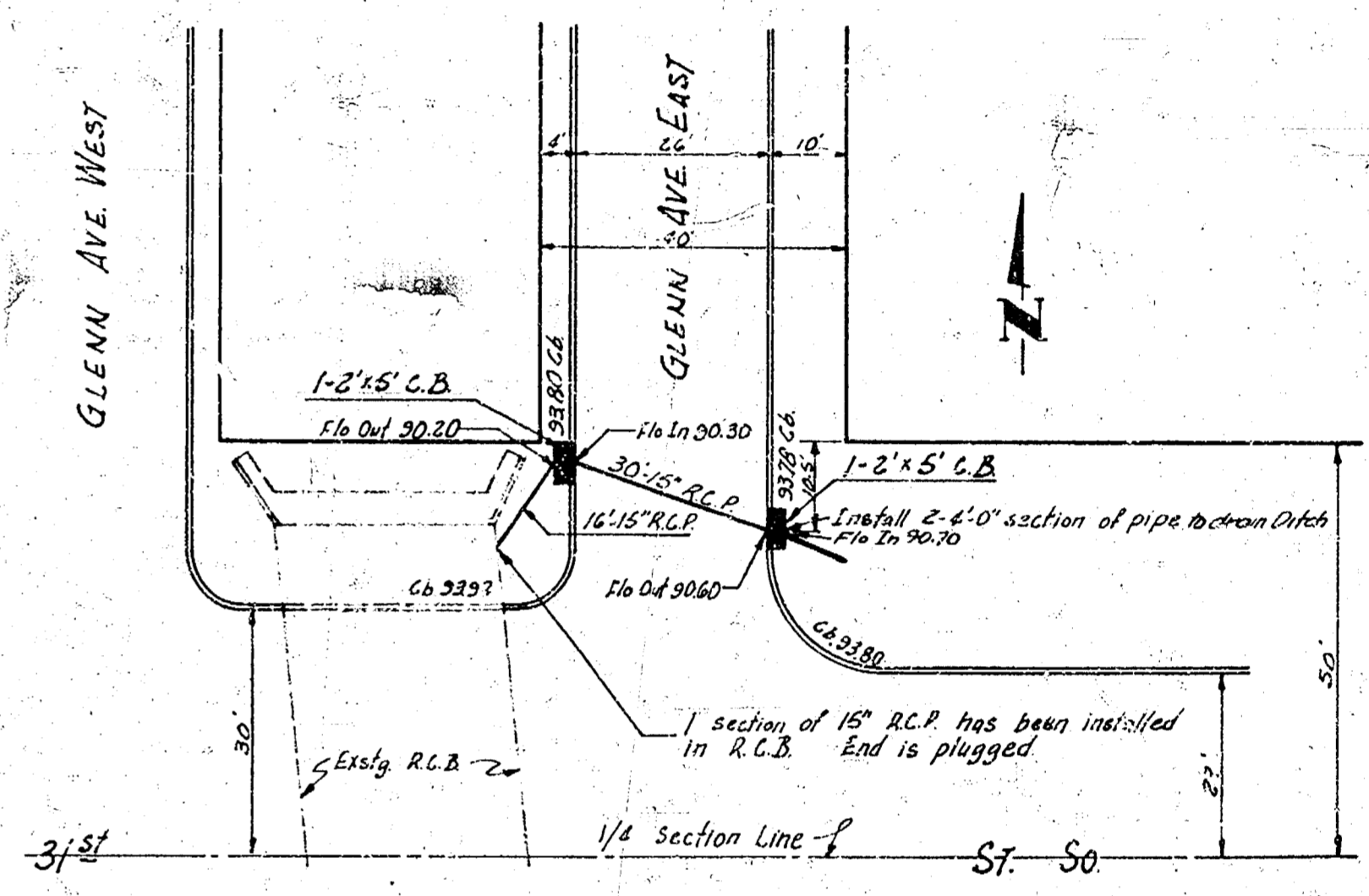
BR. 31 47
 DEC
 1955



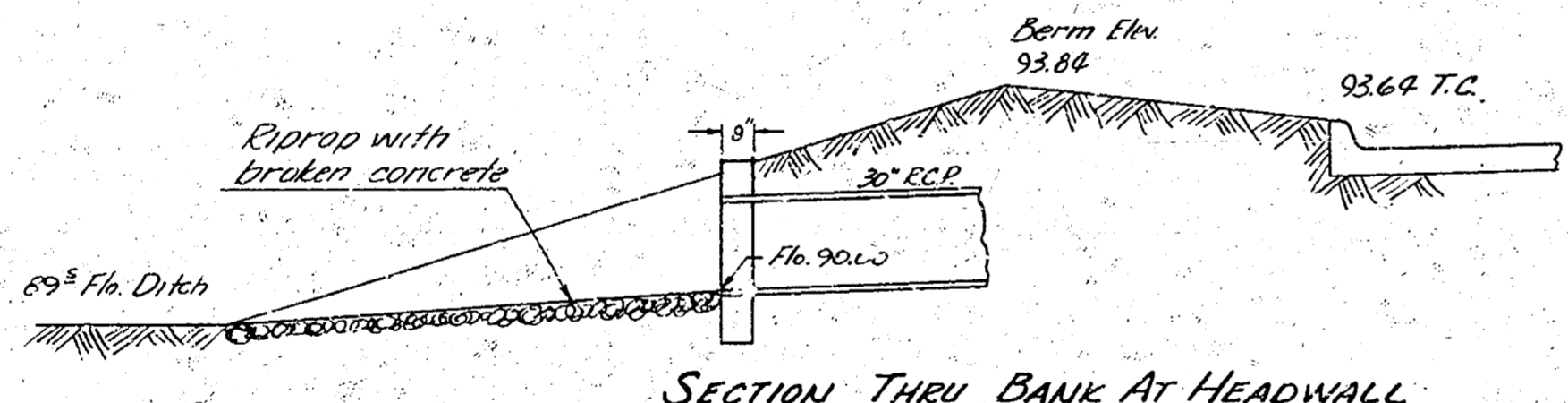
PLAN
 SCALE: 1" = 20'



PLAN
 SCALE: 1" = 20'

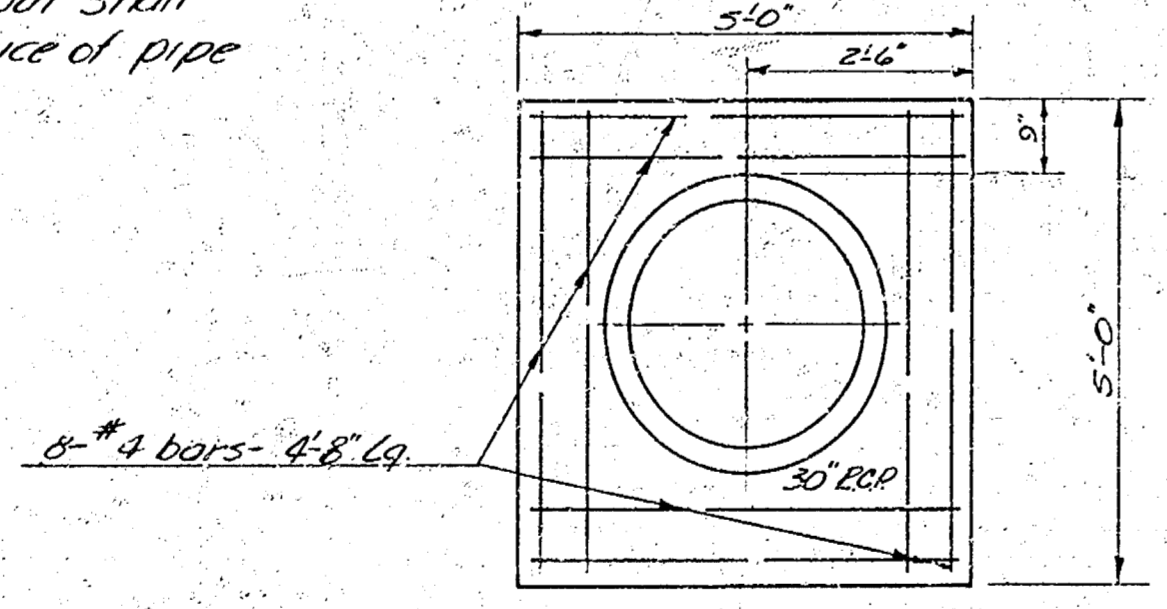


PLAN
 SCALE: 1" = 20'

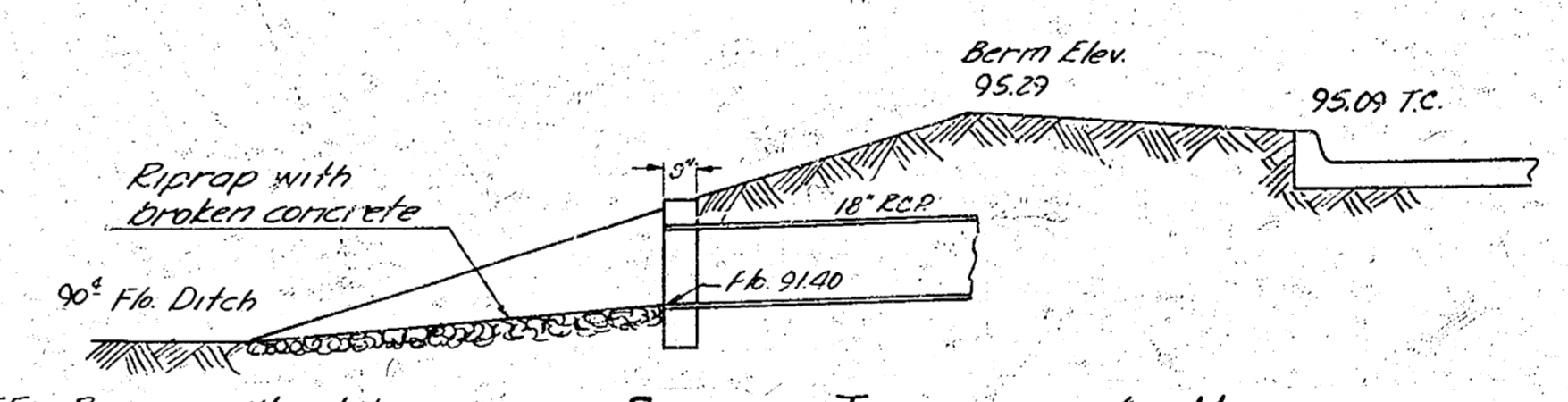


SECTION THROUGH BANK AT HEADWALL
 NO SCALE

NOTE: Riprap will not be a separate bid item, but shall be included in the price of pipe

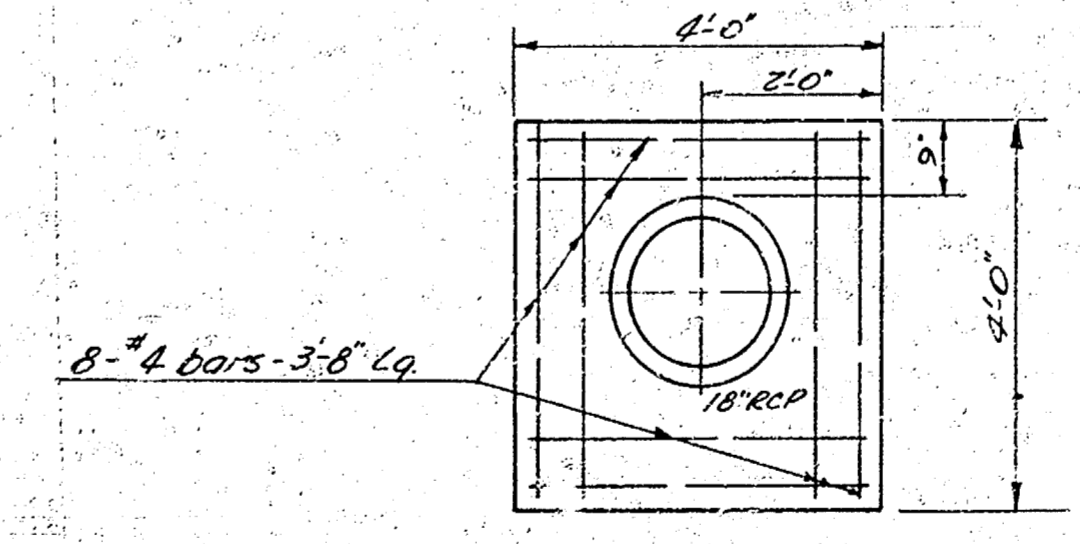


ELEV. OF REINFORCED CONC. HEADWALL - 1 RCP
 NO SCALE



SECTION THROUGH BANK AT HEADWALL
 NO SCALE

NOTE: Riprap will not be a separate bid item, but shall be included in the price of pipe



ELEV. OF REINFORCED CONC. HEADWALL - 1 RCP
 NO SCALE

INCIDENTAL DRAINAGE
 IN CONNECTION WITH
 GLENN AVE EAST
 S.E. 27th St. So. To N.E. 31st St. So.
 CITY OF WICHITA, KANSAS
 B.E. SMITH CITY ENGINEER
 AUG. 1955 PROJ. No. C15-191



B.M. 95.65 Std. 2nd W. Northeast Cor. Glenn & 31st So.
 B.M. 98.045 City Std. 6th E. & 2nd So. S.W. Cor. Glenn & 27th So.

Chaining No. on E. & E. of E. Glenn

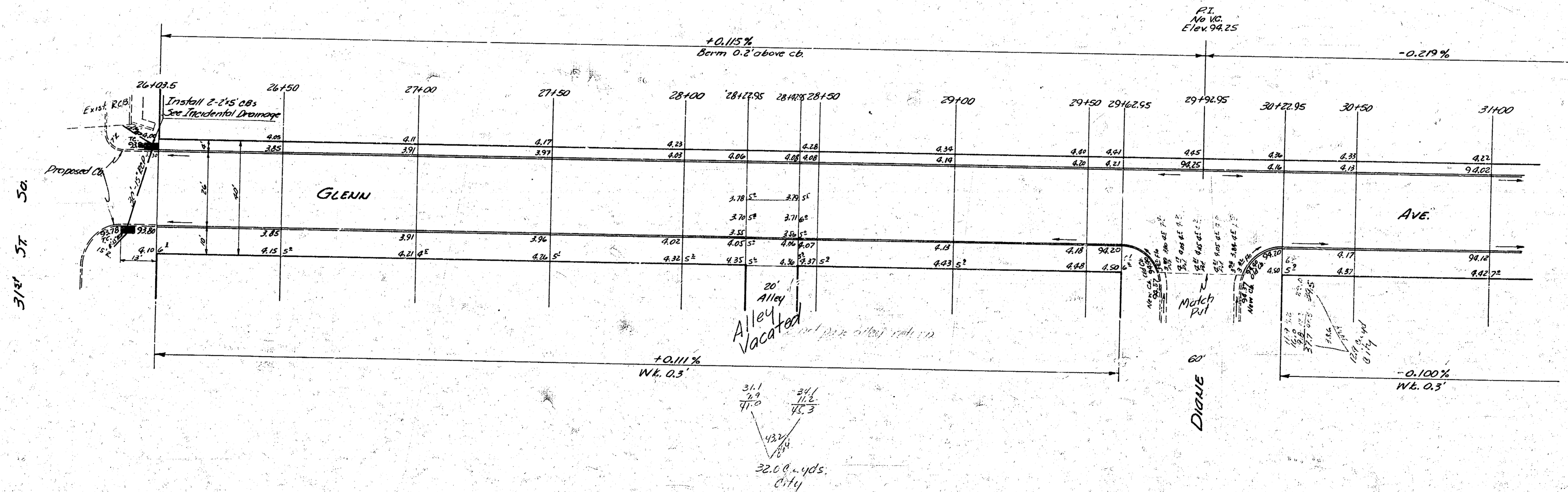


NOTE TO FIELD ENGINEER:
 Re-X Section when this
 job is staked

Excav
 Prop. 0.74
 12.7 cu. yd.
 30.5
 40.9

Grand Total Excav
 Prop. 0.14
 12.7 cu. yd.
 10.3
 15.1
 38.0
 477.7 cu. yd.
 149% 477.7
 Total 527.8 cu. yd.

Survey Seal
 Plan OK
 Checked 7/14



1
12



GLENN AVE EAST
 S.L. 27th ST. So. To N.L. 31st ST. So.
 26' CONC. I. CB.
 CITY OF WICHITA, KANSAS
 B.E. SMITH CITY ENGINEER
 Aug 1955 Proj. No. C15-101

Eicos
Prep: City
1 set 10.3 2011

