

GENERAL NOTES:
 Corrugated pipe is to be 18" dia. 16 ga., riveted, galvanized, & bit coated. The 15" R.C.P. is to be installed prior to street paving. The 10" C.M.P. will be installed after fill is completed. Fill in drainage easement (7' either side of pipe) is to be compacted to top of pipe elevation.

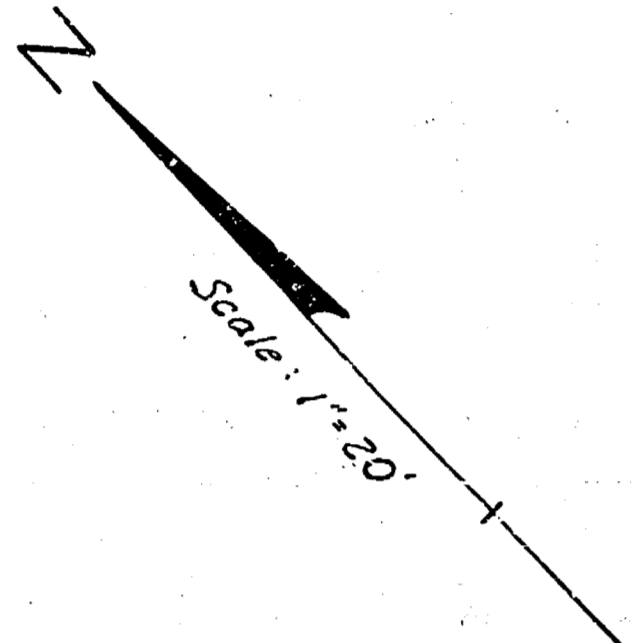
PRIVATE CONTRACT QUANTITIES
 218'-18" C.M.P. Other inlets & 18" leads are to be constructed by City.
 246'-15" R.C.P. Leads are to be constructed by City.
 - Sand fill & flushing
 1 - 2x5 Inlet @ (214) Incidental to St. paving.

NOTE TO CONTRACTOR
 This project will be constructed under the supervision of the CITY ENGINEER. In accordance with the SPECIFICATIONS of the CITY OF WICHITA, the CDA CONTRACTOR will reimburse the City of Wichita for all cost of Engineering, Plans, and Inspection.

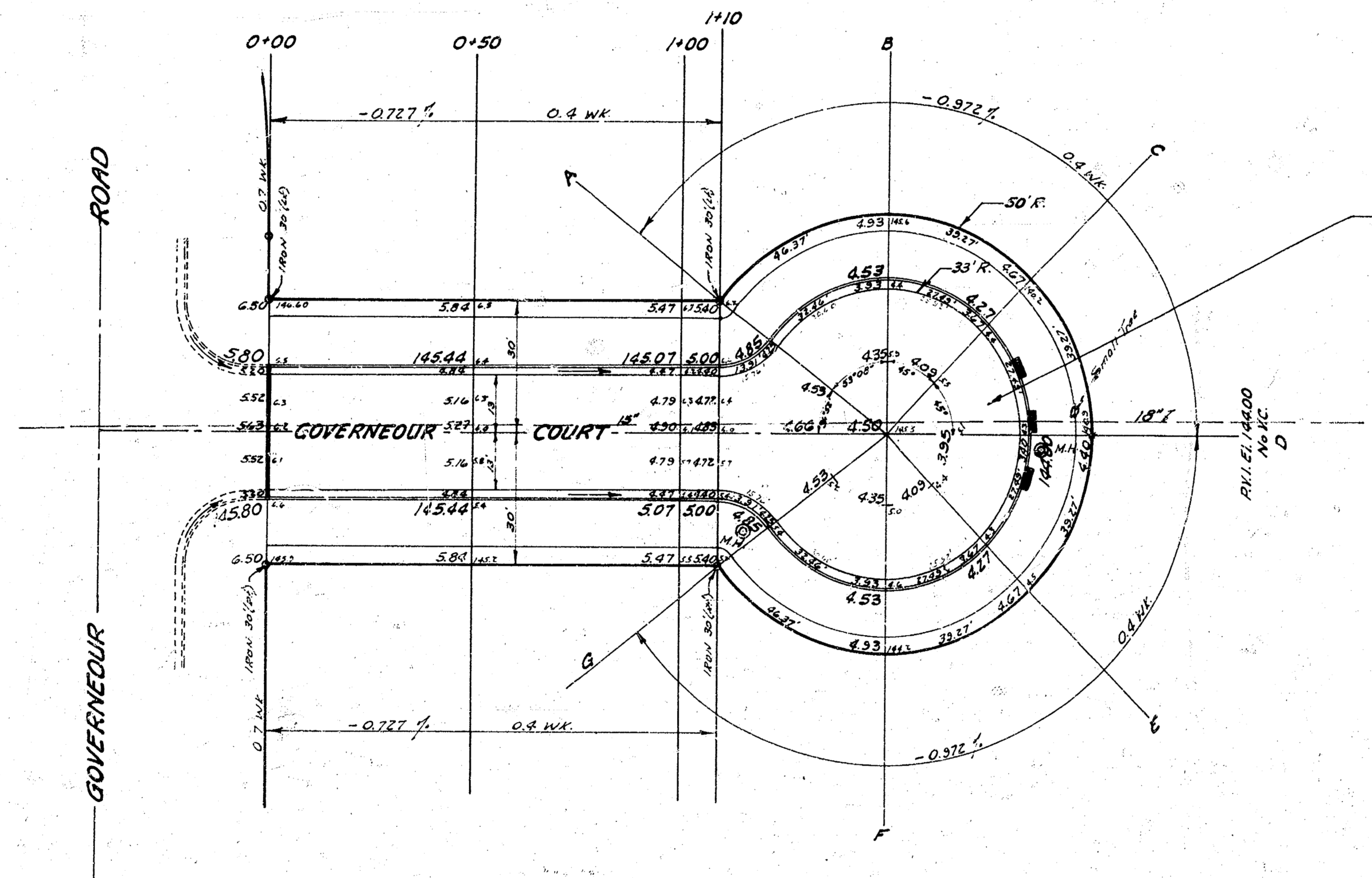
Plan Scale 1"=20'
 Profile Scale 1"=20' Hor.
 1"=4' Vert.

INCIDENTAL DRAINAGE
 GOVERNEUR COURT
 CITY OF WICHITA, KANSAS
 B.E. SMITH, CITY ENGINEER
 PRIVATE PROJECT
 DATE:

Survey of corner
Plan
Exc
Drawing



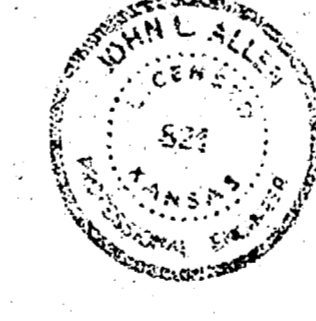
B.M. 150.38 "M" in Mueller Fire Hydr.
N.W. Corner Gouverneur & Royal Rd.



Remove all loose fill and re-construct
sub-grade with Comp. Fill.
(Est. 100 Cu Yds.) Take X-sec. as needed.

	PROPERTY	
	EXCAVATION	COMP. FILL
+10.1	605 Cu Yds.	210 Cu Yds.
	60 "	21 "
Totals	665 Cu Yds.	231 Cu Yds.

No E.A.C. Exc. or Fill



GOVERNEUR COURT
Block 4 EASTLINK VILLAGE 2nd Addⁿ
From E.L. GOVERNEUR ROAD
to & Including CUL-DE-SAC
26-2-30 Asph Conc.
B.E. SMITH CITY ENGINEER
CITY OF WICHITA KANSAS
Date: 4-68
Project No. C16-34