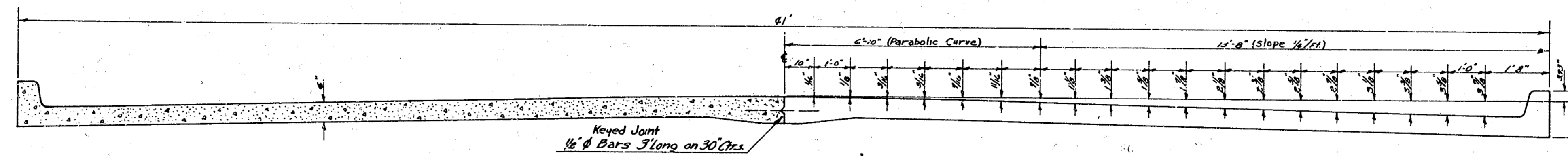
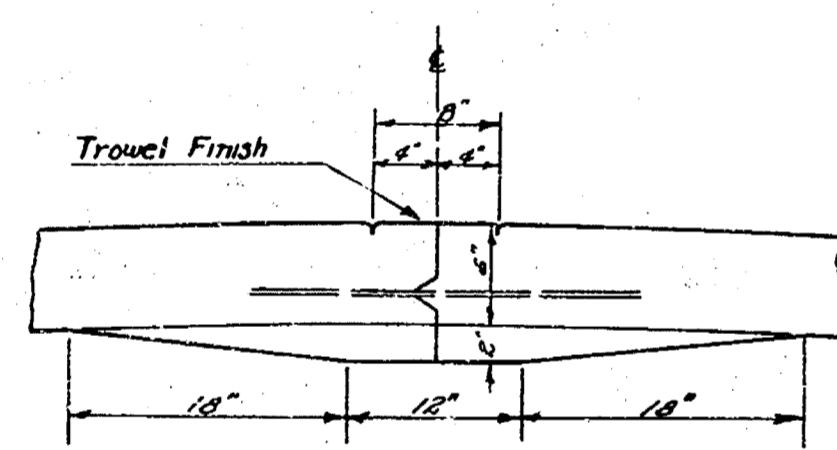


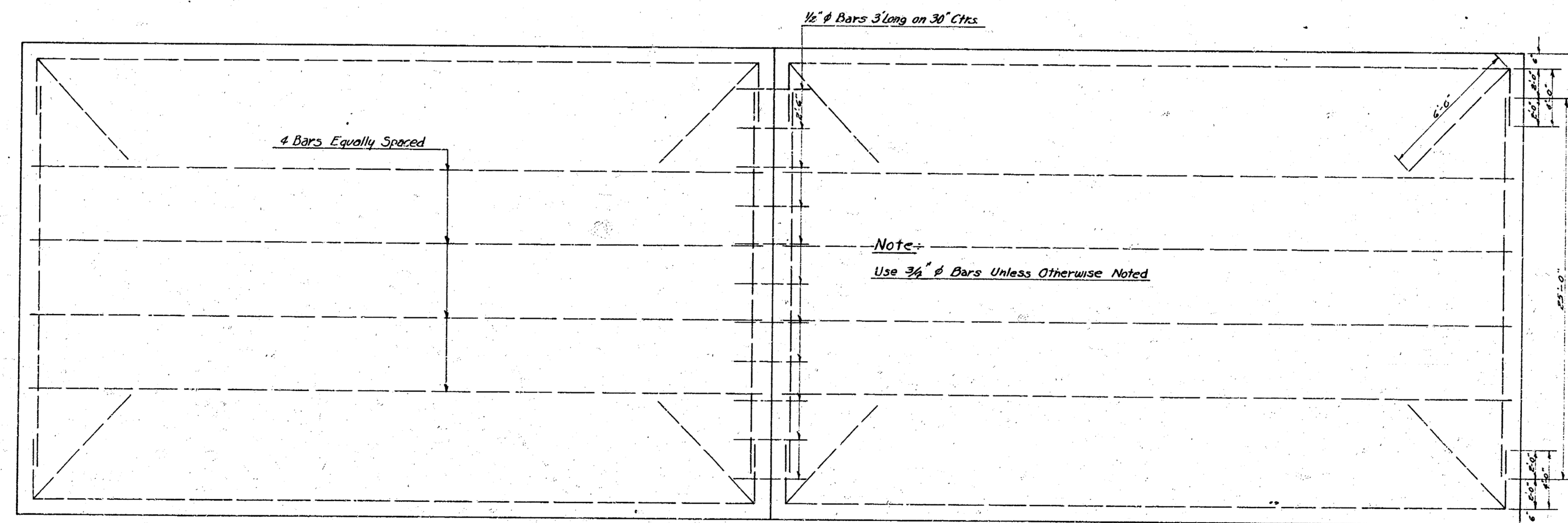
TYPICAL SECTION
 4'-6" CONCRETE
 GREENWAY BOULEVARD
 C.L. PALISADE TO W.L. WATER.



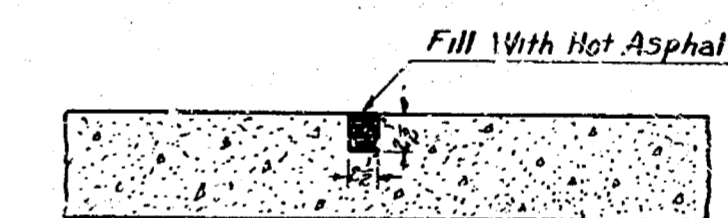
TYPICAL SECTION
 NO SCALE



DETAIL OF KEYED JOINT
 NO SCALE



STEEL PATTERN
 NO SCALE

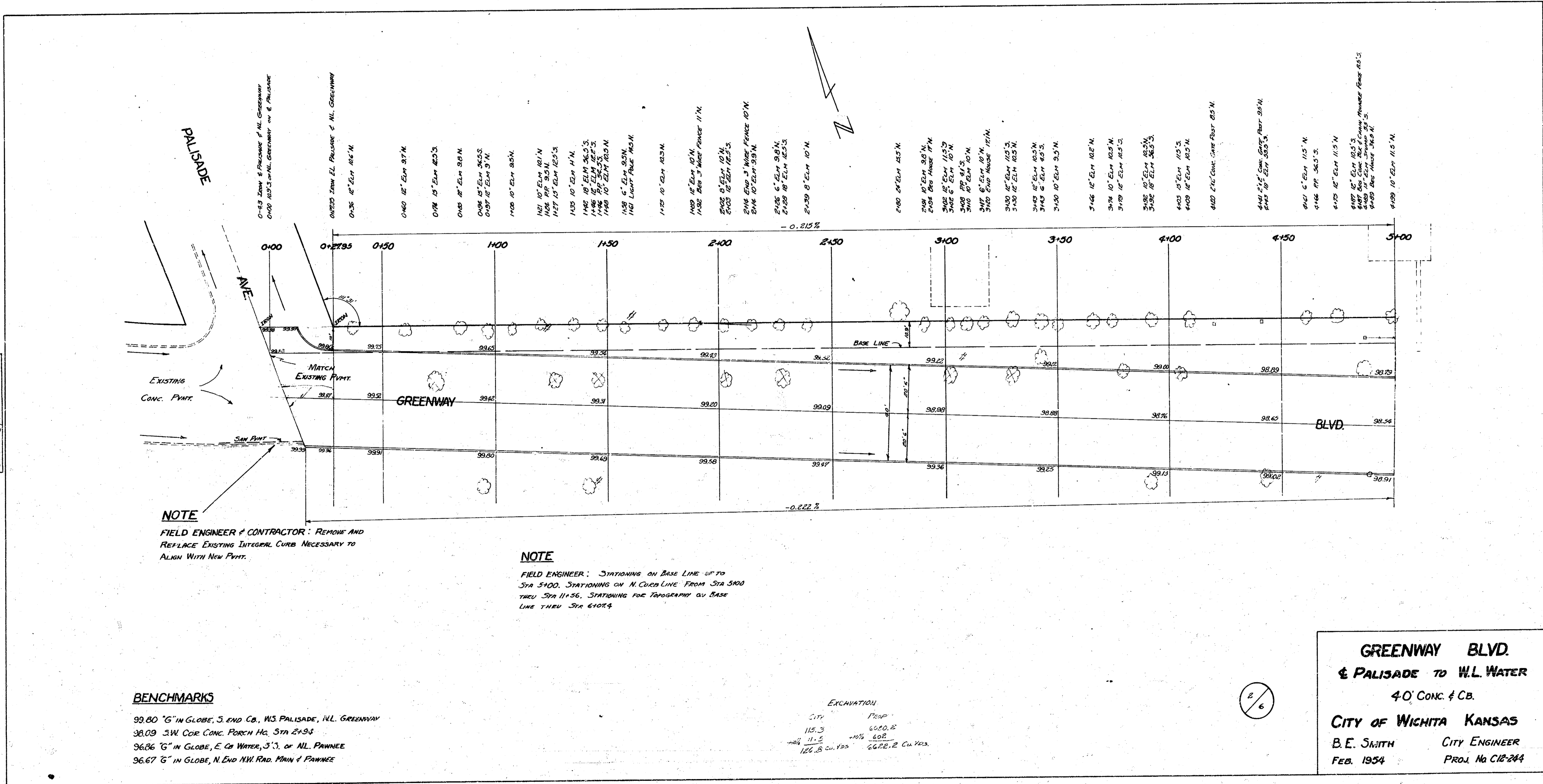


DETAIL OF CONTRACTION JOINT
 NO SCALE



1/6

Survey C.M.M.
Plan A.V.
Checked J.T.

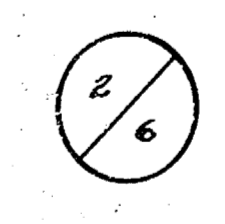


BENCHMARKS
 99.80 6" IN GLOBE, S. END CB, W.S. PALISADE, N.L. GREENWAY
 98.09 3" W. COR. CONC. PORCH HQ, STA 2+54.4
 96.86 6" IN GLOBE, E. CO. WATER, S.S. OF N.L. PANNEE
 96.67 6" IN GLOBE, N. END NW. RAD. MAIN & PANNEE

NOTE
 FIELD ENGINEER: STATIONING ON BASE LINE UP TO STA 3+00. STATIONING ON N. CURB LINE FROM STA 3+00 THRU STA 1+56. STATIONING FOR TOPOGRAPHY ON BASE LINE THRU STA 6+00.9.

EXCAVATION

CITY	PROP.
115.3	6020.8
11.5	602
126.8	6622.2



GREENWAY BLVD.
& PALISADE TO W.L. WATER
 40" CONC. & CB.
CITY OF WICHITA KANSAS
 B.E. SMITH CITY ENGINEER
 FEB. 1934 PROJ. NO. C16-244

