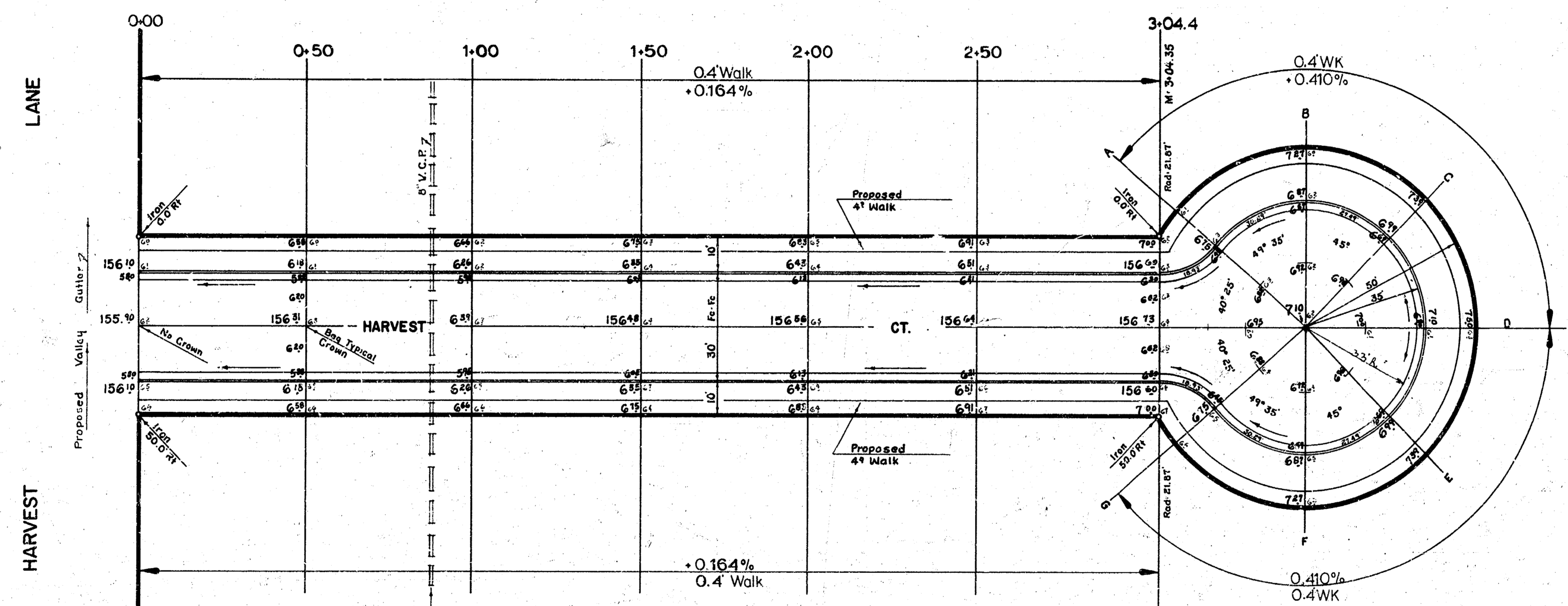
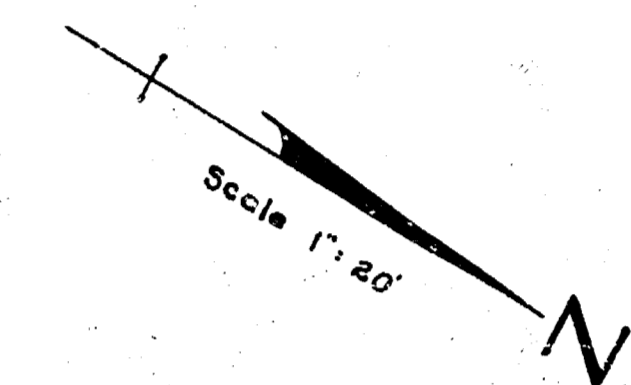


B.M. 158.25 R.R. Spike So. Side P.Pole. So. Side 157'
 150' North of Center Line Cul-de-Sac.



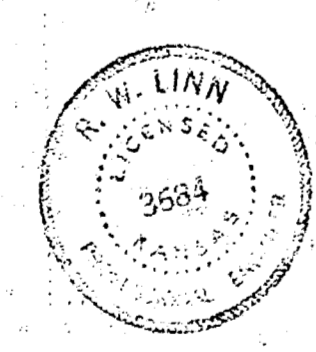
Surveyed by: R. J. K. S. B.
 Checked: [Signature]
 Date: [Blank]

NOTE TO CONTRACTOR -
 Co-ordinate Work with Sewer Contractor on
 8" Line Crossing Pavement.

Top of Curb Elevations Shown are for
 ROLL CURB 0.30' to Flo.

SIDEWALK
NOTE To Field Engineer and Contractor. Grade
 Parking and Clear Right of Way for Proposed
 Sidewalk. Compact Backfill in Sidewalk Area.
 Sidewalk to be Constructed by OTHERS

EARTHWORK QUANTITIES	
Excavation	Comp. Fill
223.3 Cu Yds	62.4 Cu Yds
+10% 22.3	+10% 6.2
Total 245.6 Cu Yds	68.6 Cu Yds



SHEET 1 of 2

HARVEST COURT
 Lots 46 thru 56, Blk 2, Westlink Village
 5th Add. to & incl Cul-de-Sac.
 26' - 2' - 30" ASPH-CONC.
 (ROLL TYPE CURB)
 B.E. SMITH City Engineer
 CITY OF Wichita, Kansas
 DATE: MAY 1967 Proj No. C14-34