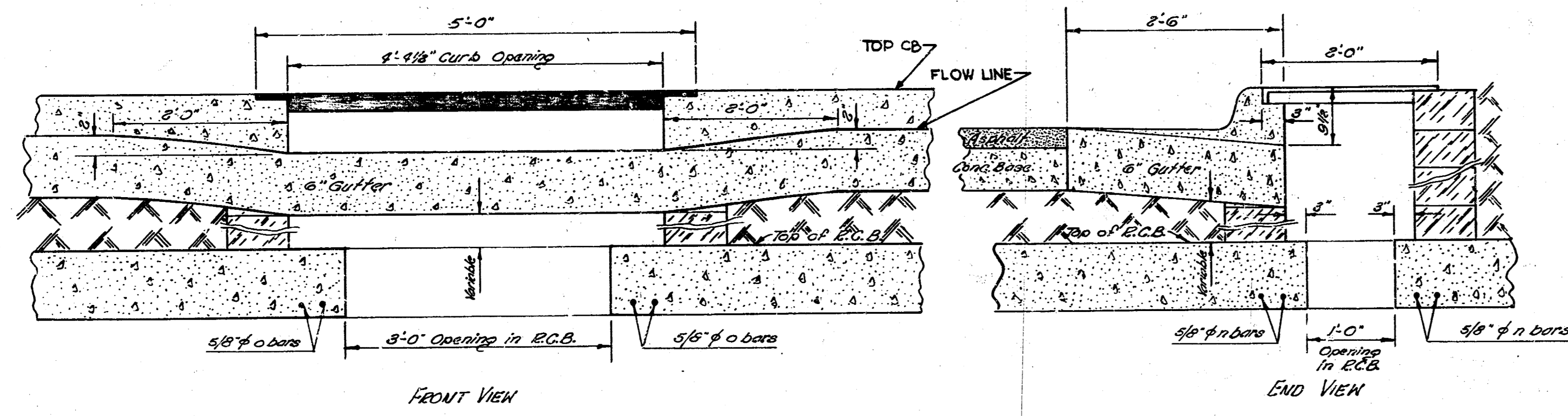
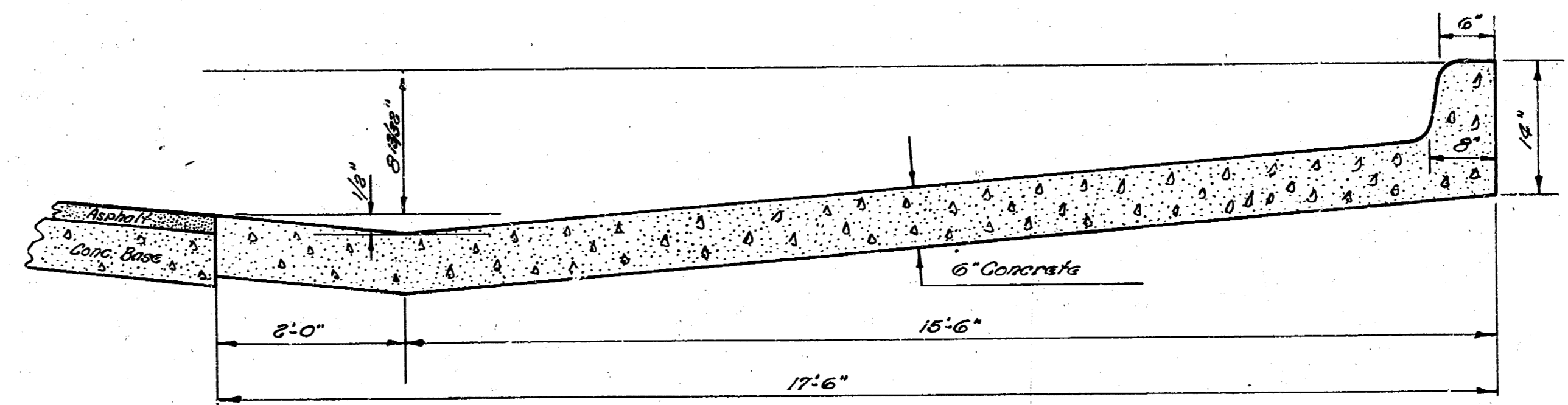


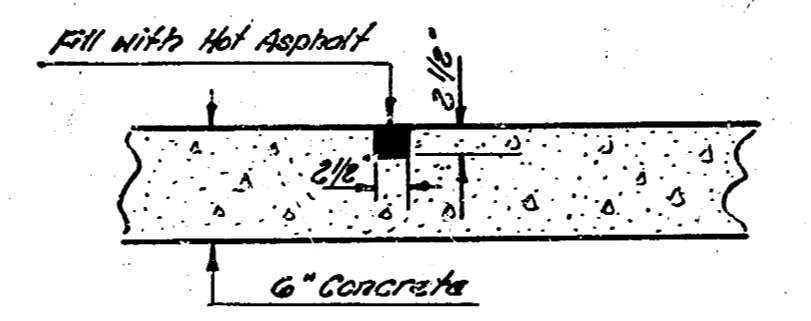
**KELLOGG DRIVE**  
 E.L. ARMOUR DR. TO E.L. EASTRIDGE 8TH ADDN.



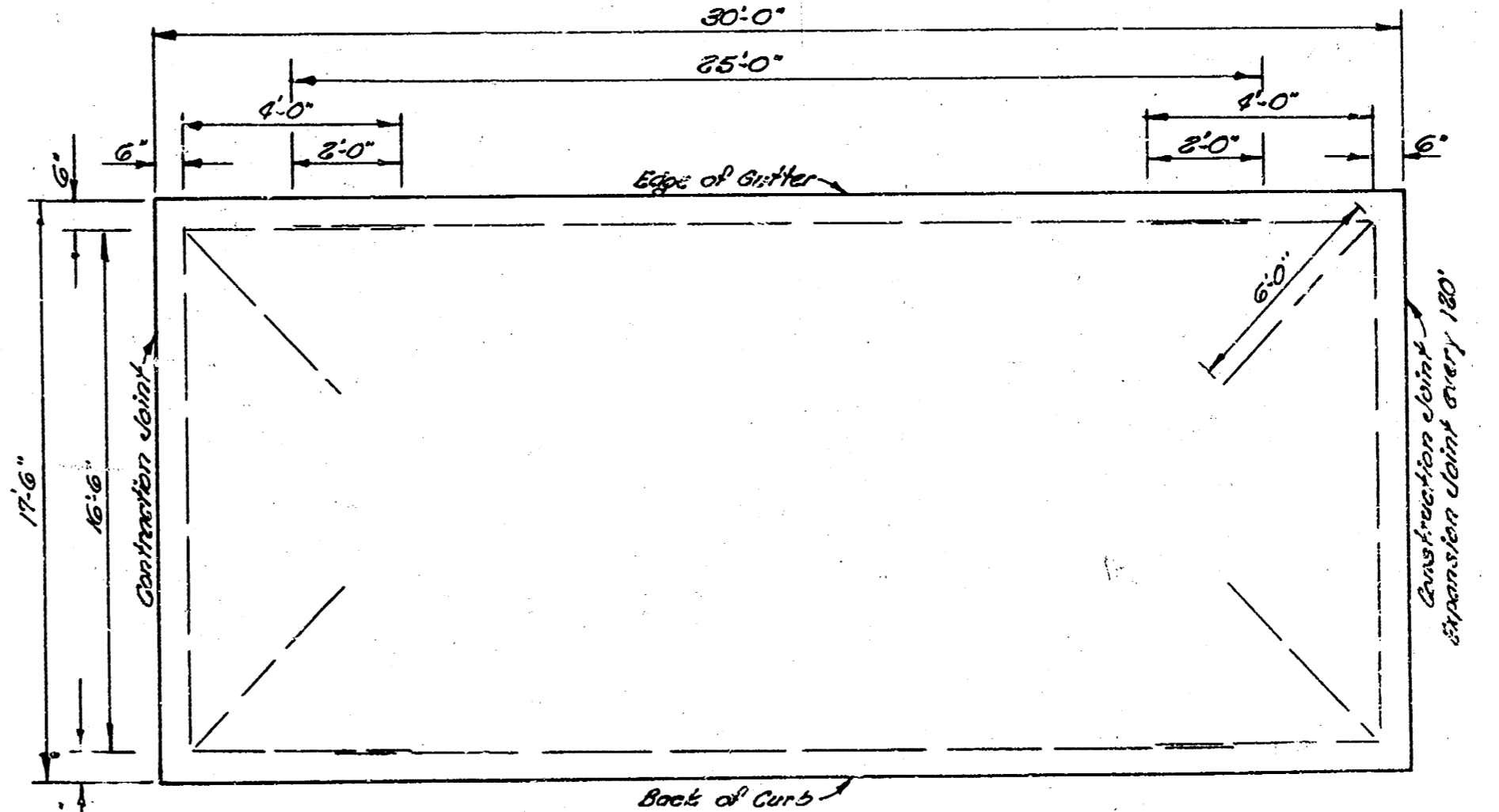
TYPICAL SECTIONS THROUGH CATCH BASIN  
 NOT TO SCALE



TYPICAL SECTION THROUGH WIDENING STRIP  
 NOT TO SCALE



DETAIL OF CONTRACTION JOINT  
 NOT TO SCALE



STEEL PATTERN FOR WIDENING STRIP  
 Use 5/8" #4 Bars  
 NOT TO SCALE

Runway 11/22  
 Bill 252  
 Plan Checked  
 E. J. ...

Viewed  
 Y  
 A

11

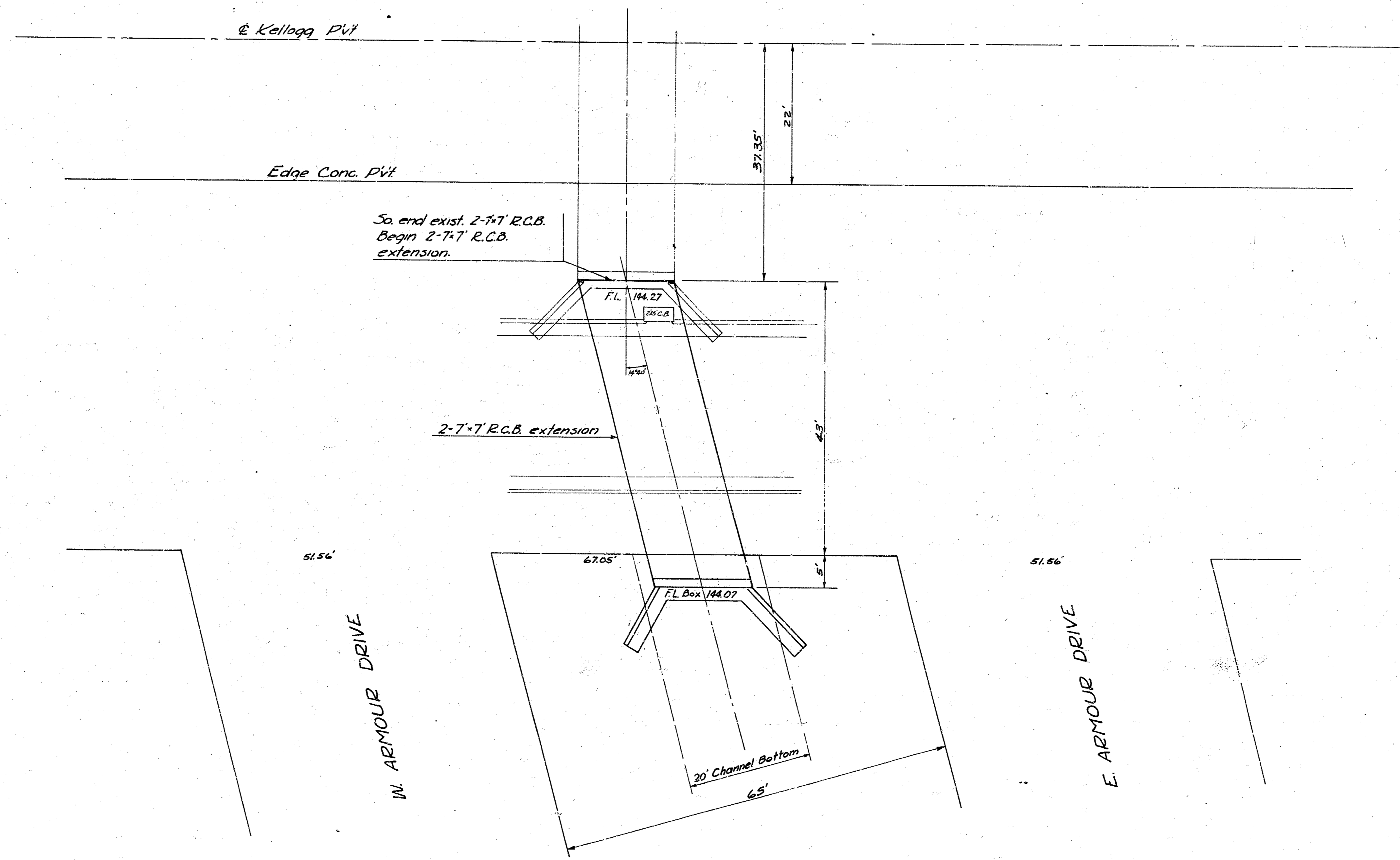


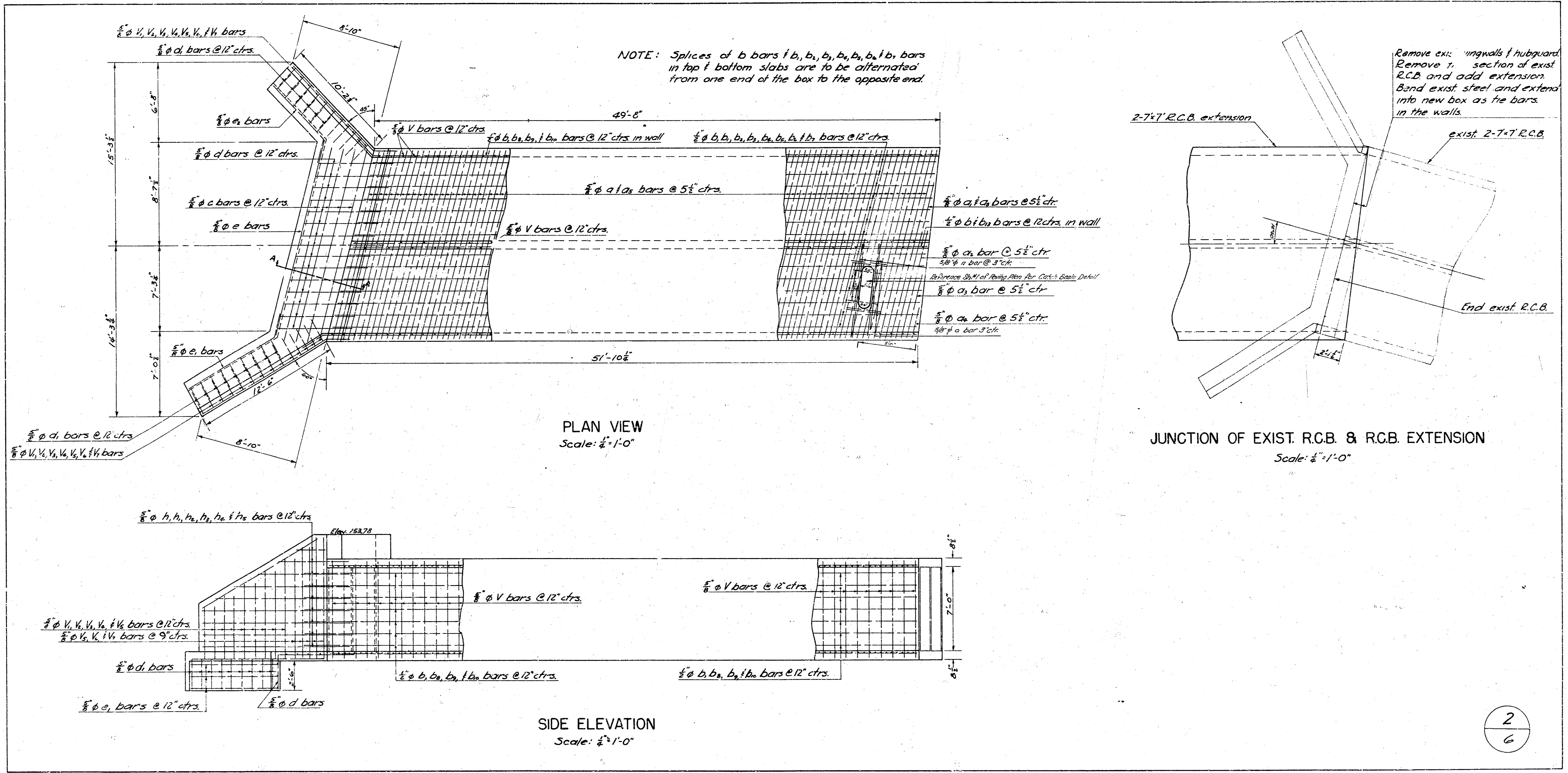
Book 306  
Page 5.13

BM 153.82 2" in Ritchie W. Co. Colhoun, S.L. Kellogg

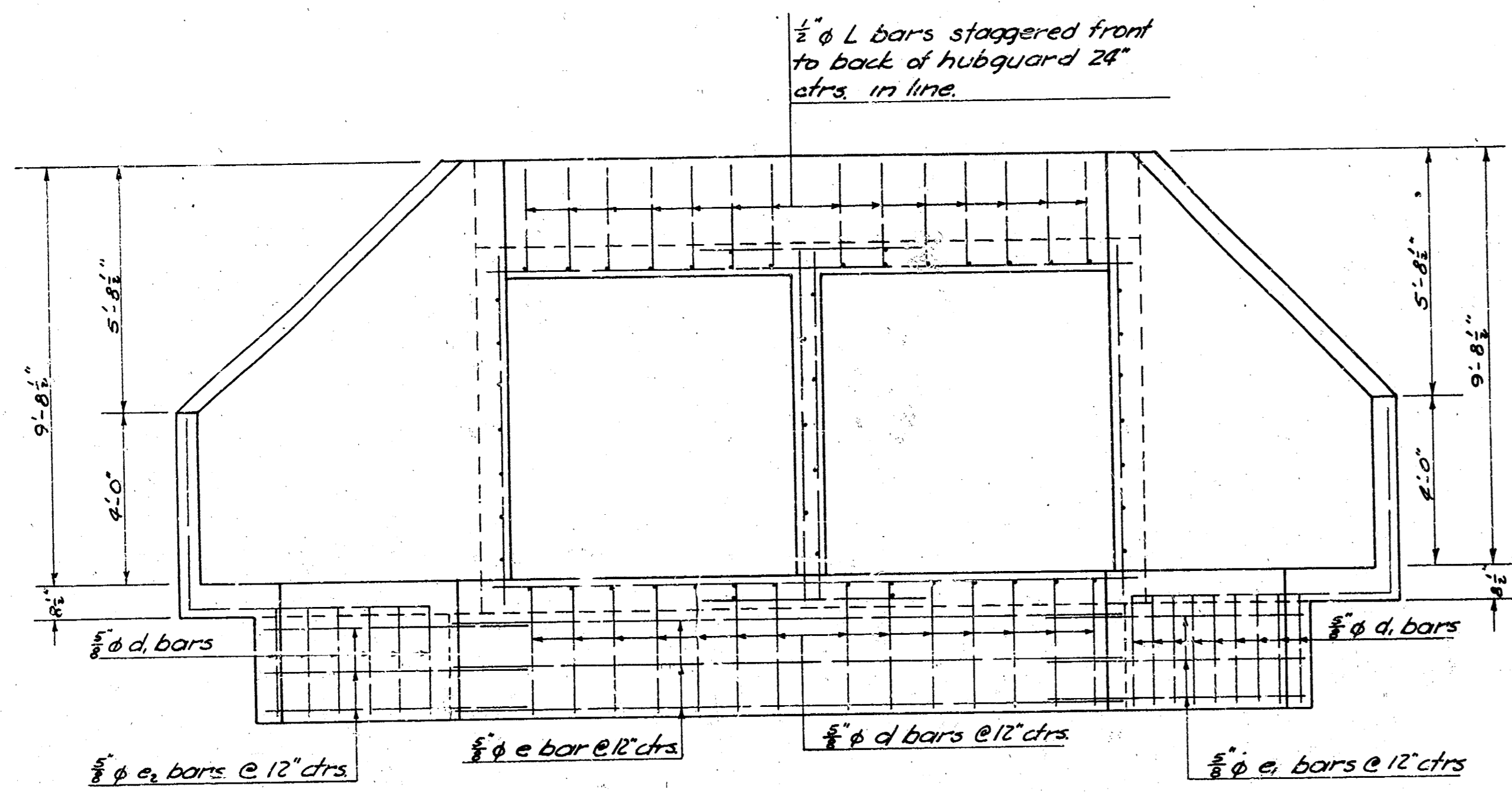
# REINFORCED CONCRETE BOX EXTENSION 2-7x7' KELLOGG & ARMOUR

PLAN LAYOUT  
Scale: 1"=10'-0"

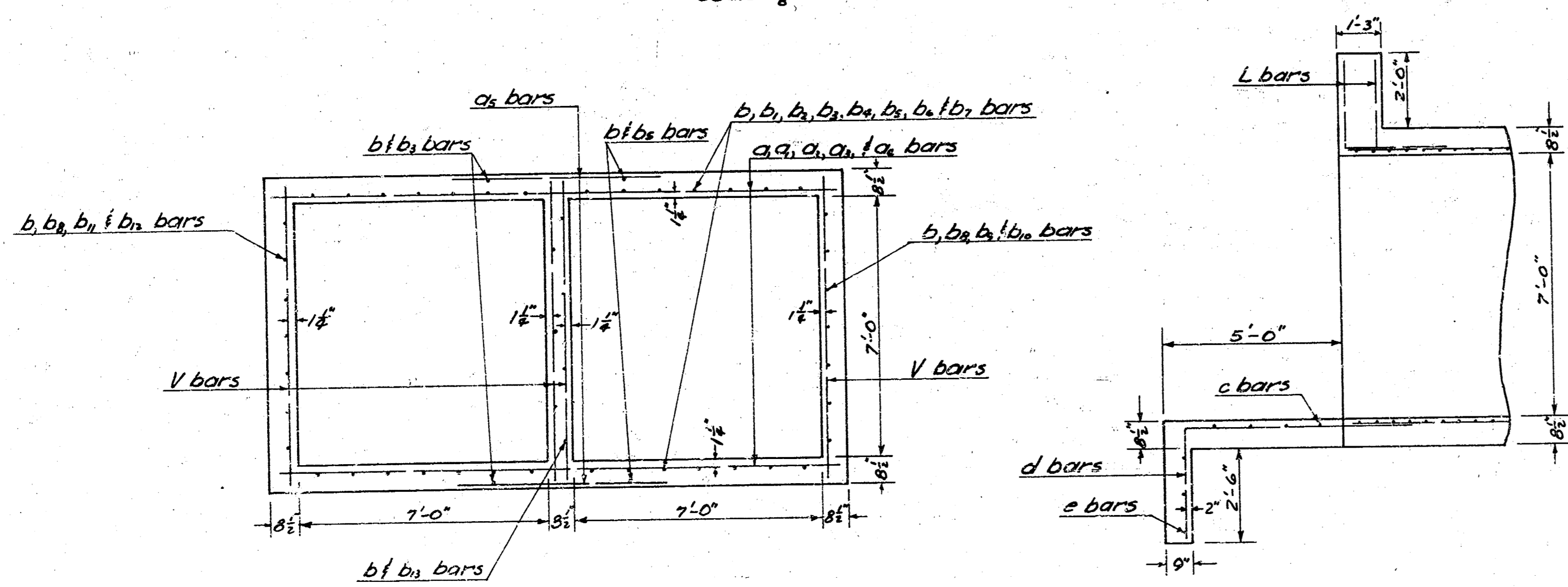




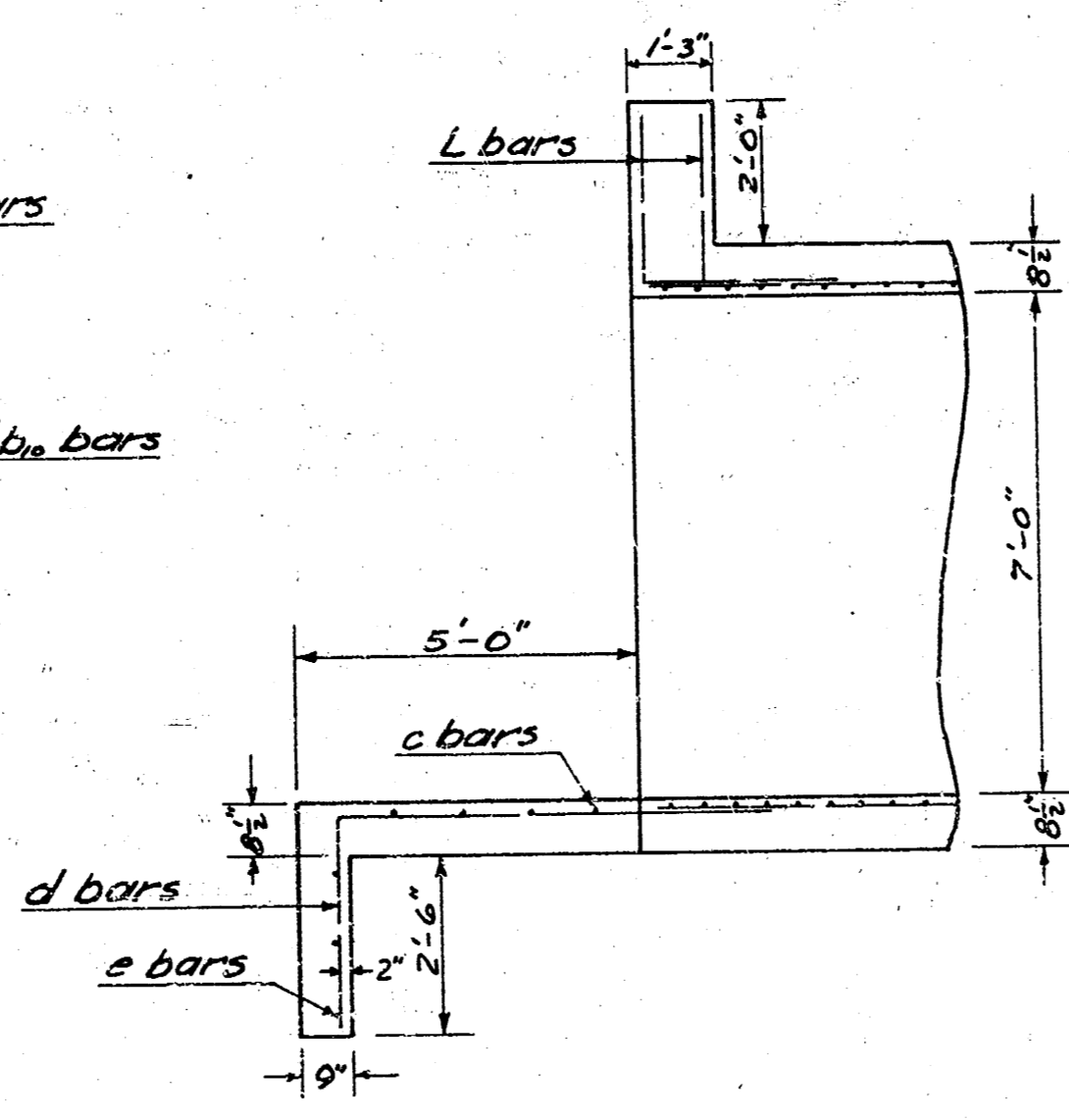
NOTE: Excav. to be extended 3' each side of box and 3' behind end of exist box.  
 Excav. 2' below bottom of box & wingwalls and compact back-fill with sand & dirt.  
 X-sec. are to be taken after excav is completed, before backfilling and beginning construction.



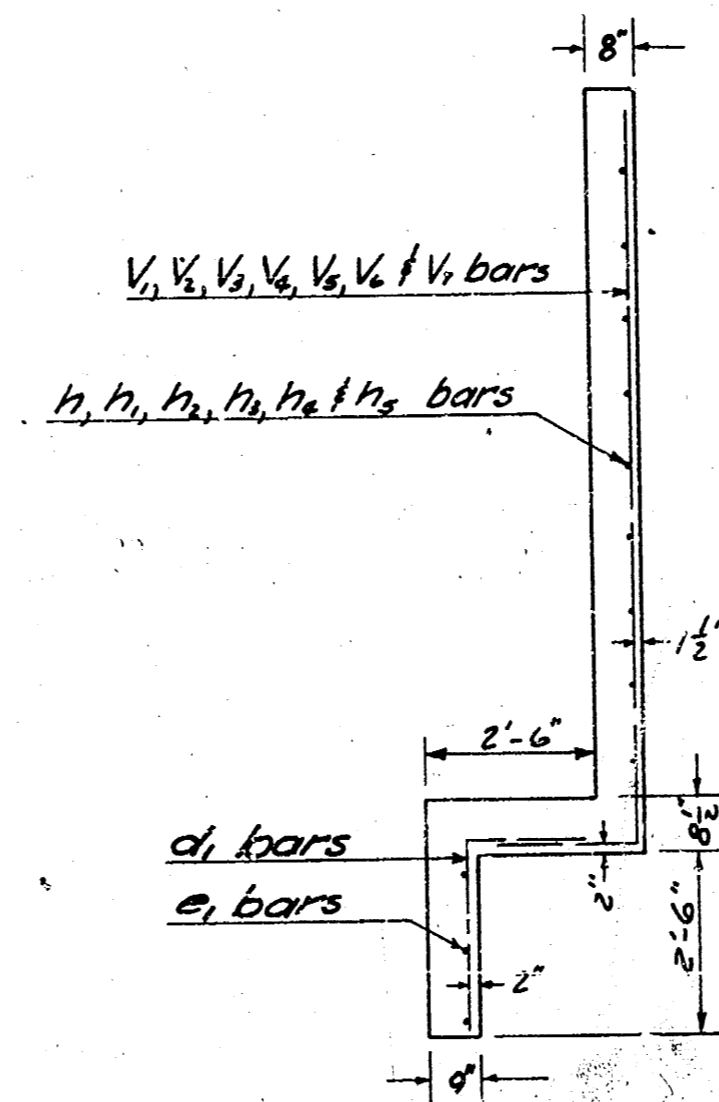
END ELEVATION  
 Scale: 1/8" = 1'-0"



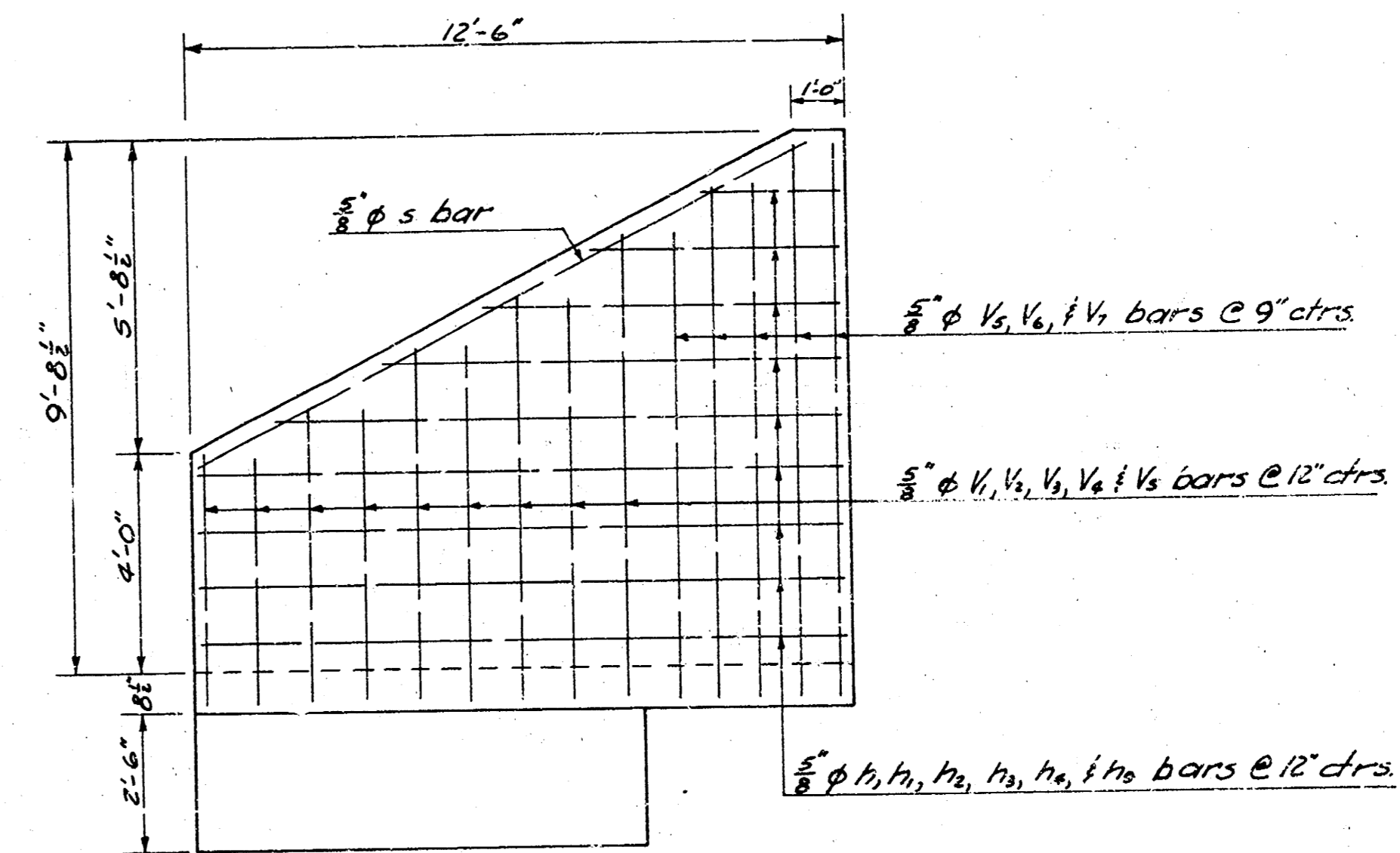
CROSS SECTION OF BOX  
 Scale: 1/8" = 1'-0"



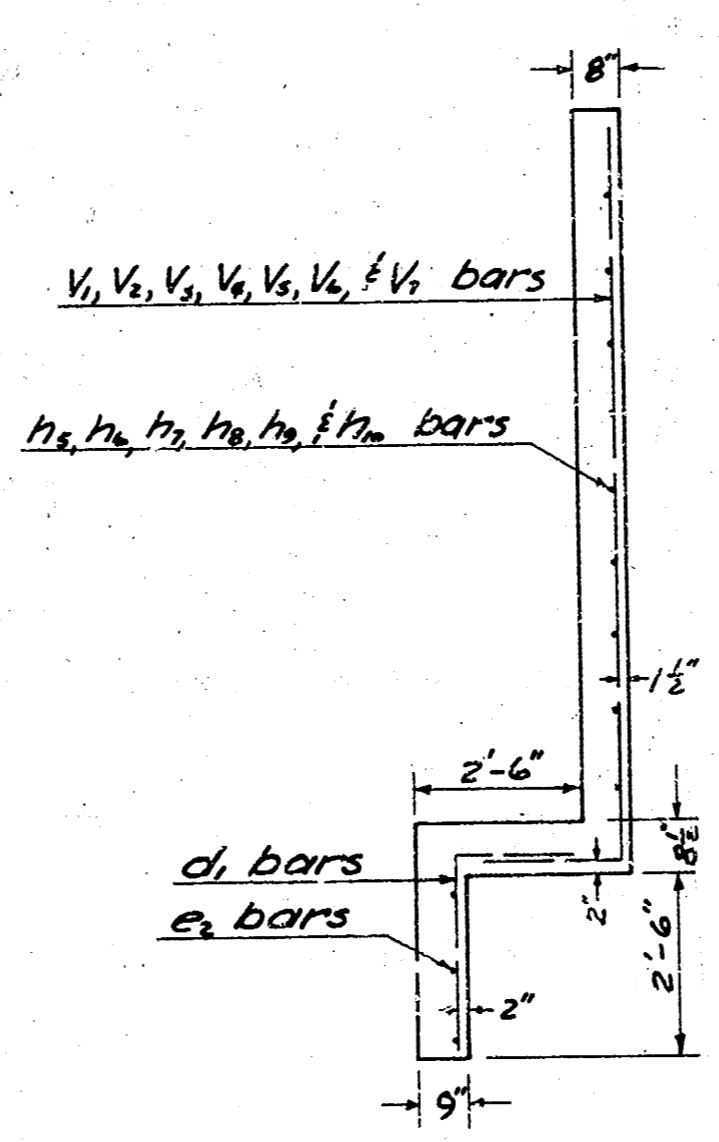
SECTION A-A  
 Scale: 1/8" = 1'-0"



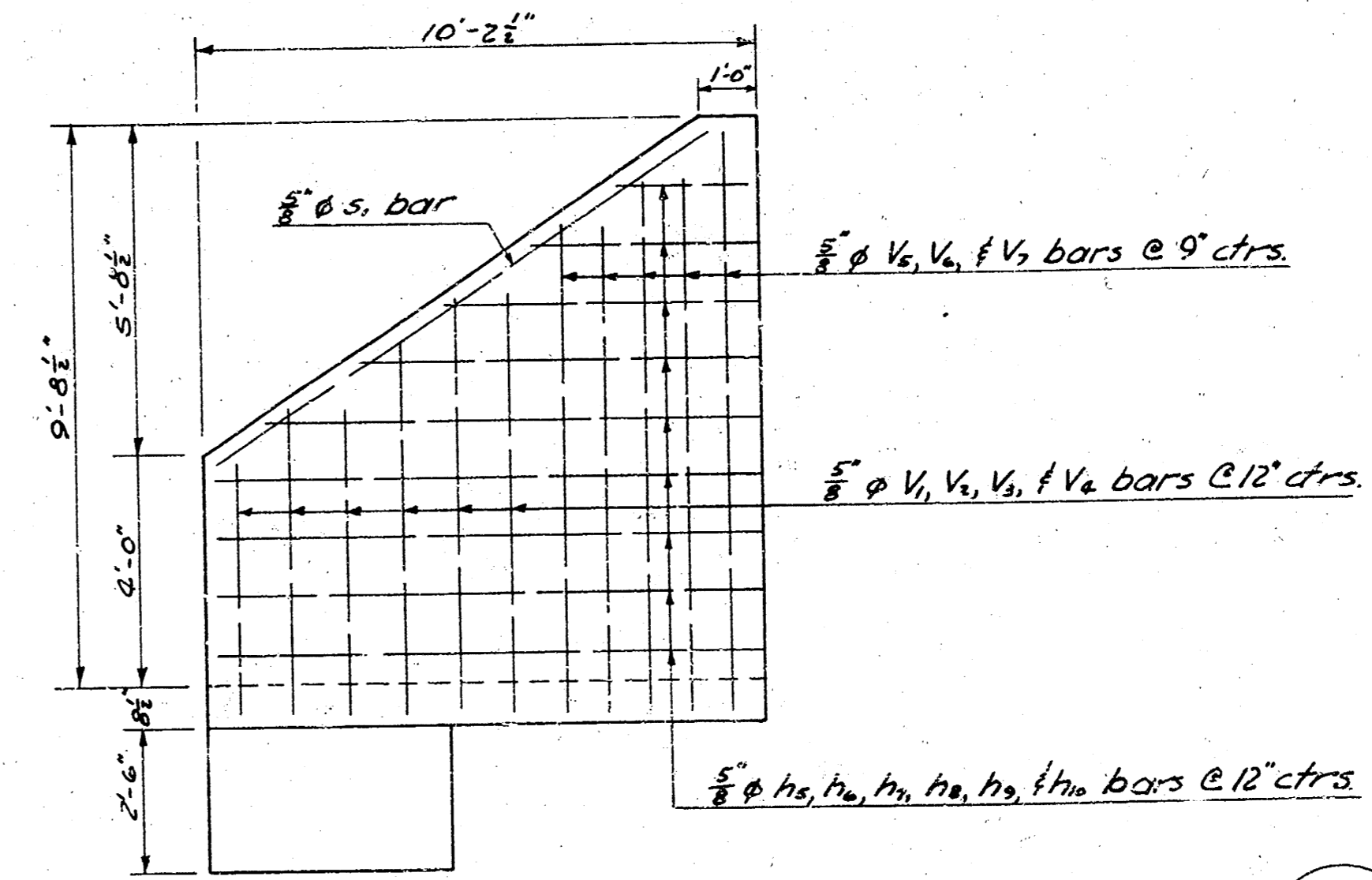
SECTION EAST WINGWALL  
 Scale: 1/8" = 1'-0"



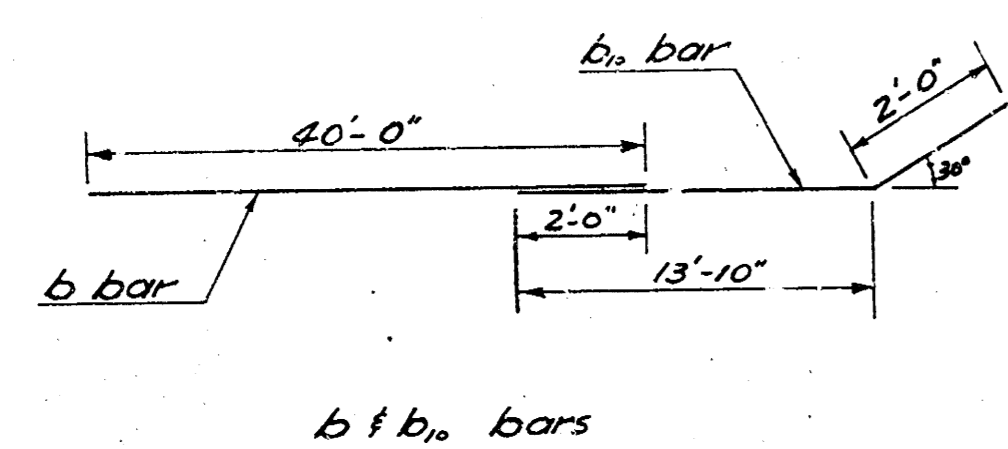
LONGITUDINAL SECTION OF EAST WINGWALL  
 Scale: 1/8" = 1'-0"



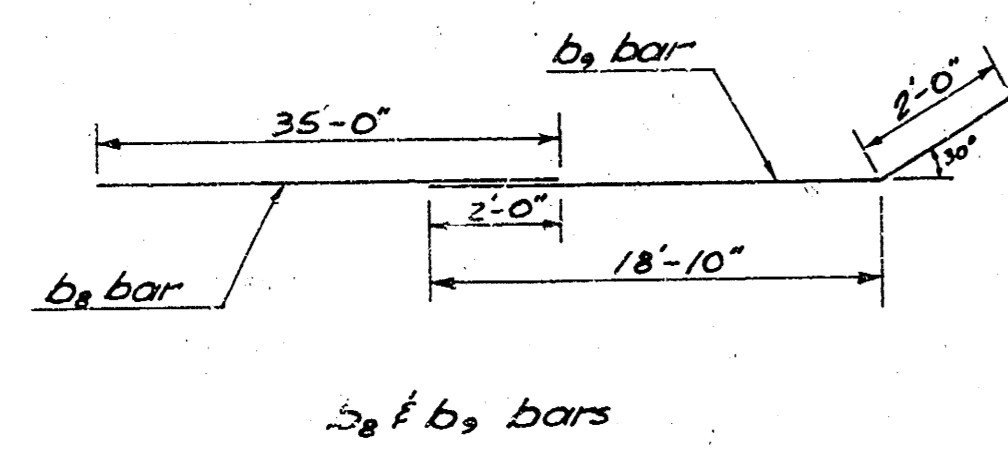
SECTION WEST WINGWALL  
 Scale: 1/8" = 1'-0"



LONGITUDINAL SECTION OF WEST WINGWALL  
 Scale: 1/8" = 1'-0"

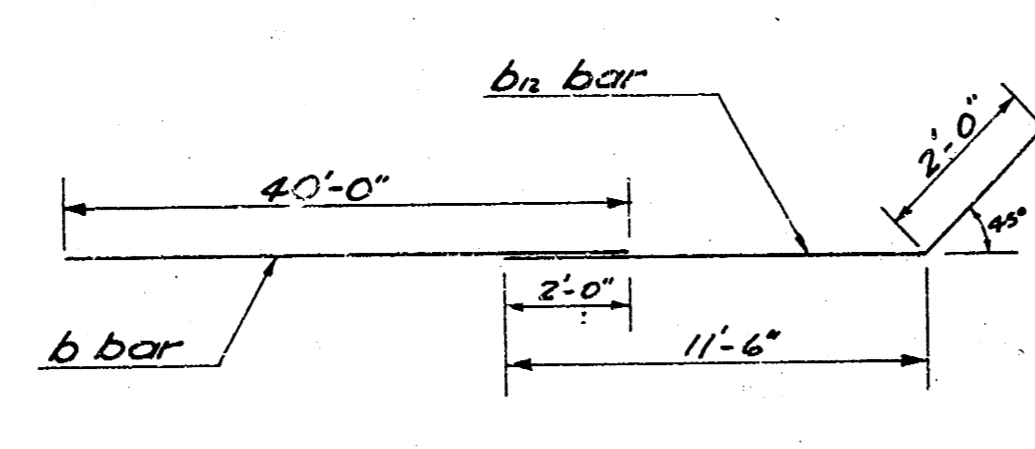


b1 & b2 bars

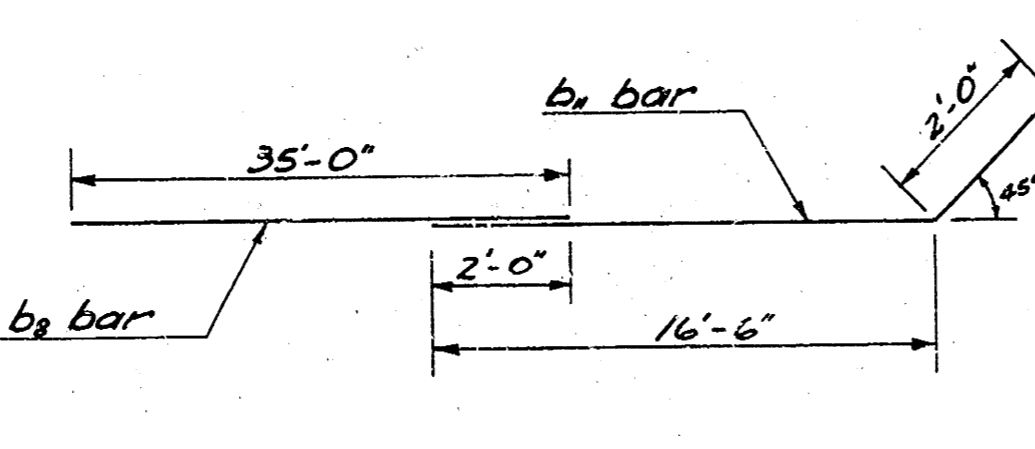


b3 & b4 bars

NOTE: Alternate b1 & b2 bars with b3 & b4 bars in east wall

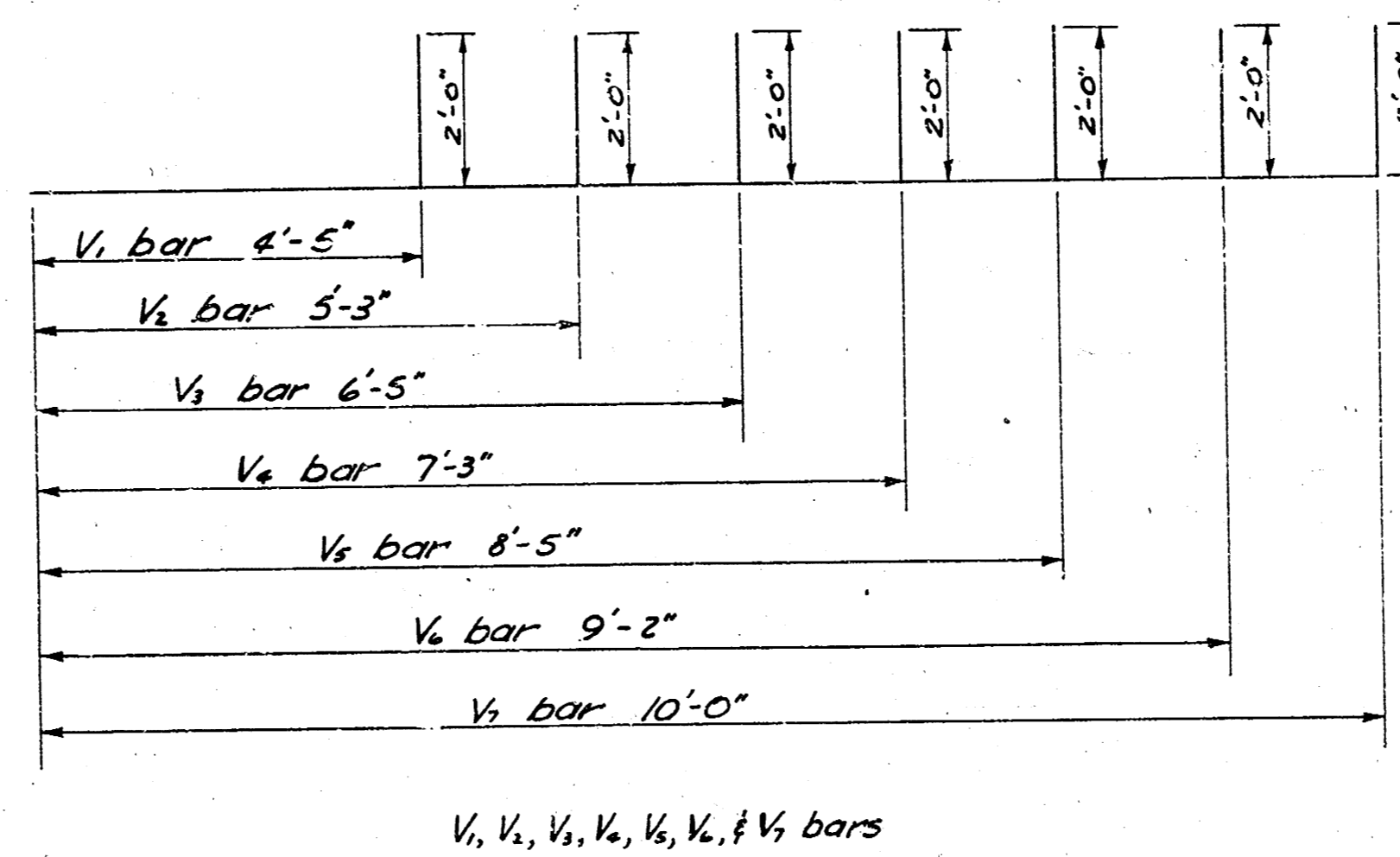


b1 & b2 bars

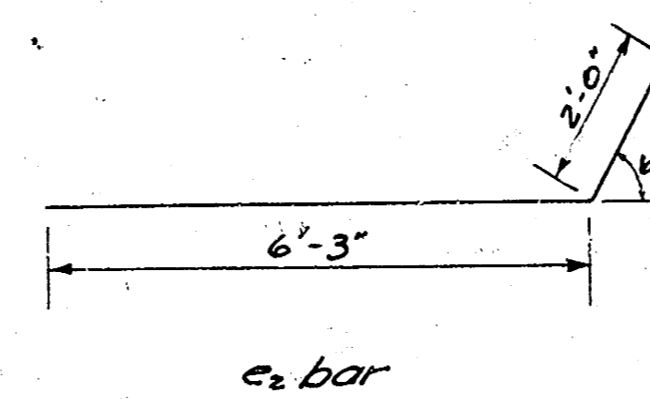


b3 & b4 bars

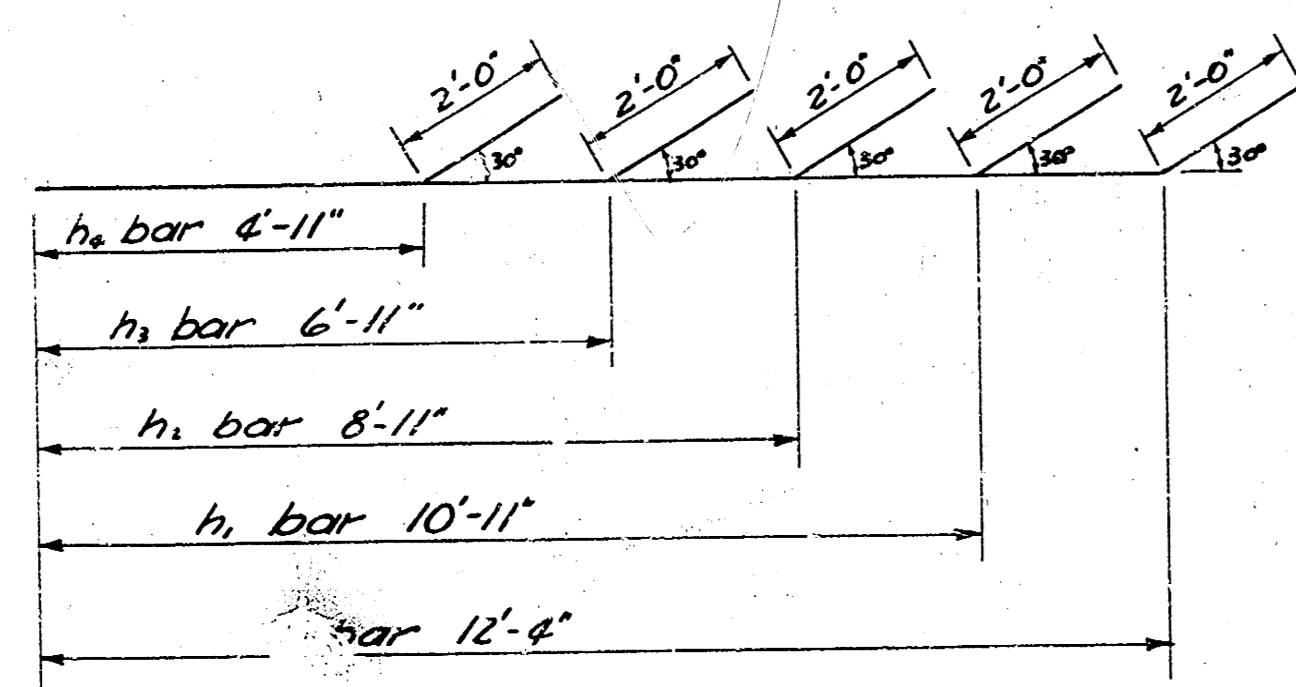
NOTE: Alternate b1 & b2 bars with b3 & b4 bars in west wall



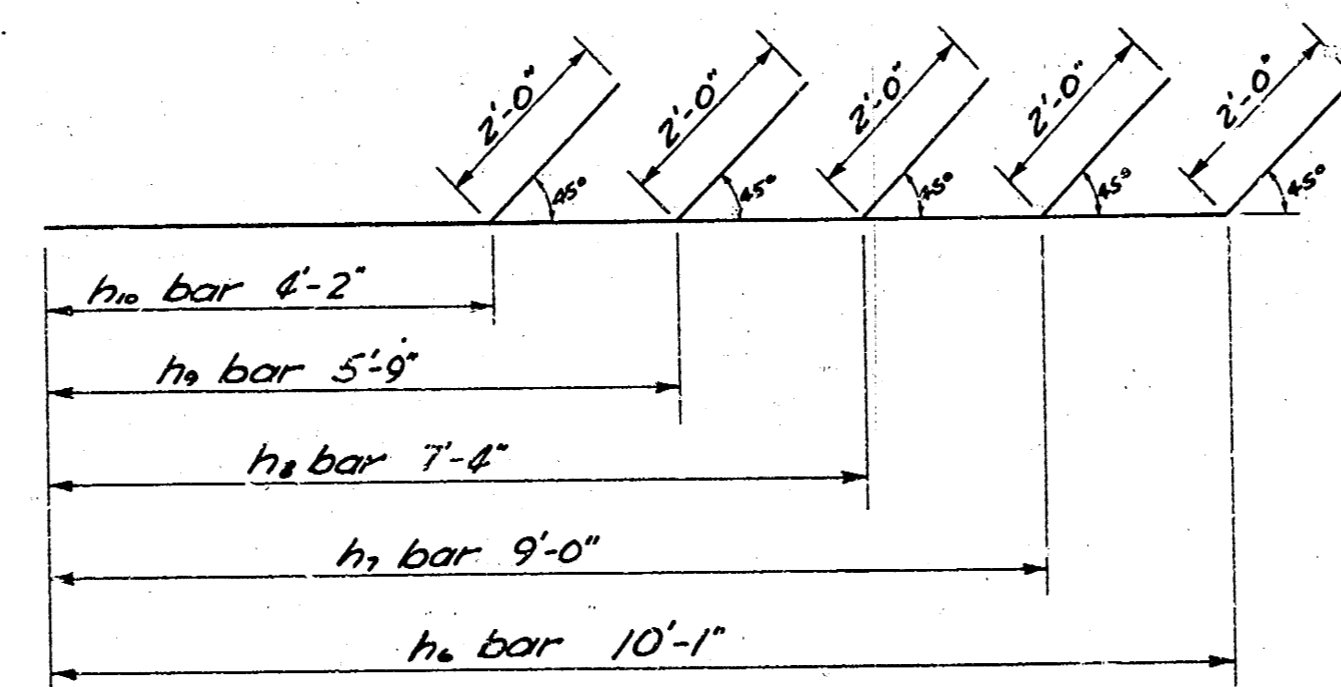
V1, V2, V3, V4, V5, & V6 bars



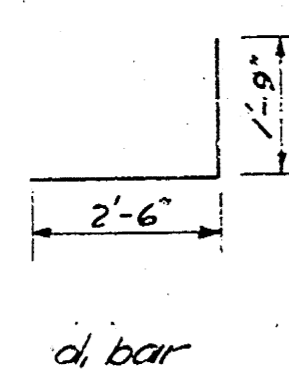
e1 bar



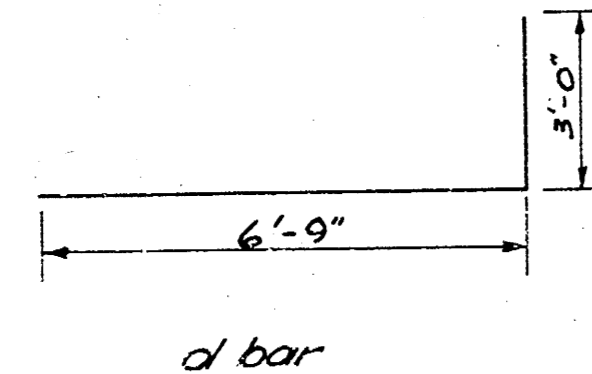
h1, h2, h3, & h4 bars



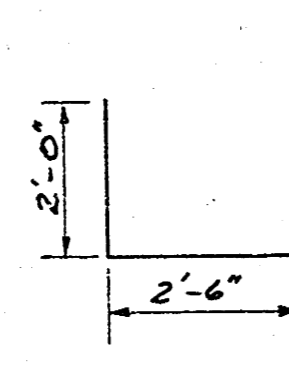
h5, h6, h7, h8, & h9 bars



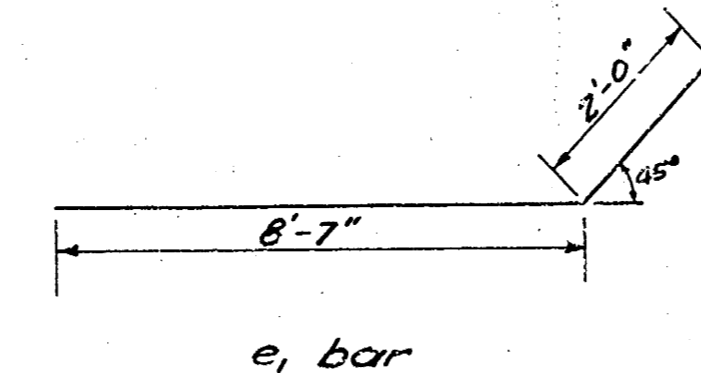
d1 bar



d2 bar



L bar



e2 bar

BAR BENDING DIAGRAMS.  
No Scale

BILL OF MATERIALS		
ITEM	QUANTITY	UNITS
Class A Concrete	33.0	Cu. Yds.
General Excavation	160	Cu. Yds.
Compacted Backfill (Sand)	54.3	Tons
Rein. Steel	9,101	Lbs.
Removal Heatwall Exist. Box		

STEEL SCHEDULE									
BAR	SIZE	NO.	LENGTH	SHAPE	BAR	SIZE	NO.	LENGTH	SHAPE
a	3/8"	216	16'-8"		h1	3/8"	1	12'-11"	
a1	"	2	15'-4"		h2	"	1	10'-11"	
a2	"	2	9'-4"		h3	"	1	8'-11"	
a3	"	2	5'-4"		h4	"	1	6'-11"	
a4	"	2	2'-4"		h5	"	2	7'-6"	
a5	3/8"	218	5'-9"		h6	"	4	12'-1"	
b	3/8"	45	40'-0"		h7	"	1	11'-0"	
b1	"	4	11'-7"		h8	"	1	9'-4"	
b2	"	4	11'-10"		h9	"	1	7'-9"	
b3	"	6	12'-1"		h10	"	1	6'-2"	
b4	"	4	12'-5"		L	3/8"	14	4'-5"	
b5	"	6	12'-9"		S	3/8"	1	13'-0"	
b6	"	4	13'-0"		S1	"	1	10'-9"	
b7	"	4	13'-3"		V	"	153	8'-2"	
b8	"	8	35'-0"		V1	"	3	6'-5"	
b9	"	4	20'-10"		V2	"	4	7'-3"	
b10	"	3	15'-10"		V3	"	3	8'-5"	
b11	"	4	18'-6"		V4	"	4	9'-3"	
b12	"	3	13'-6"		V5	"	4	10'-5"	
b13	3/8"	7	12'-5"		V6	"	4	11'-2"	
c	3/8"	4	16'-8"		V7	3/8"	3	12'-0"	
d	"	14	9'-9"		O	3/8"	1	3'-0"	
d1	"	15	4'-3"		P	3/8"	1	8'-2"	
e	"	3	16'-8"						
e1	3/8"	3	8'-3"						
e2	3/8"	4	18'-8"						