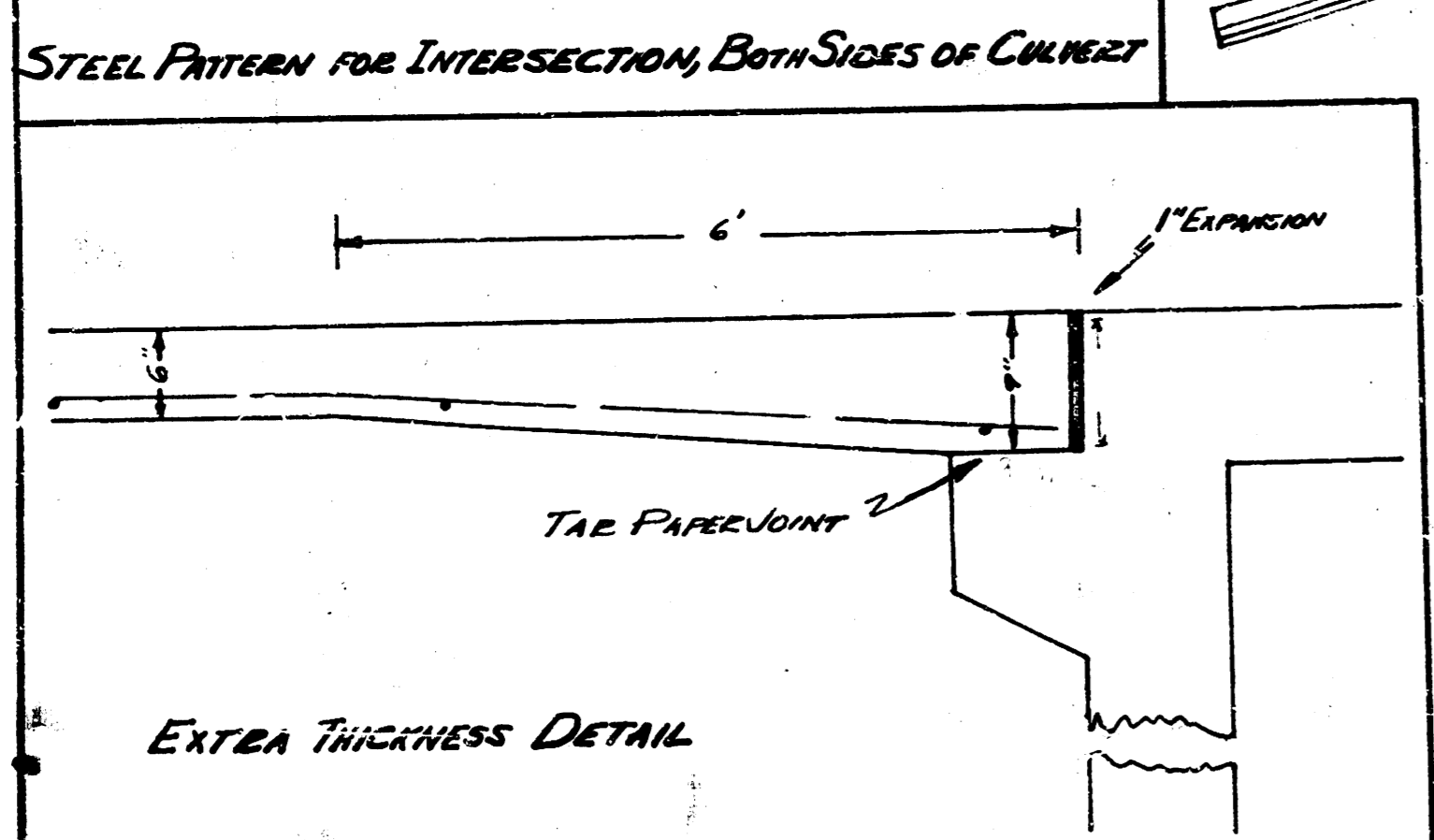
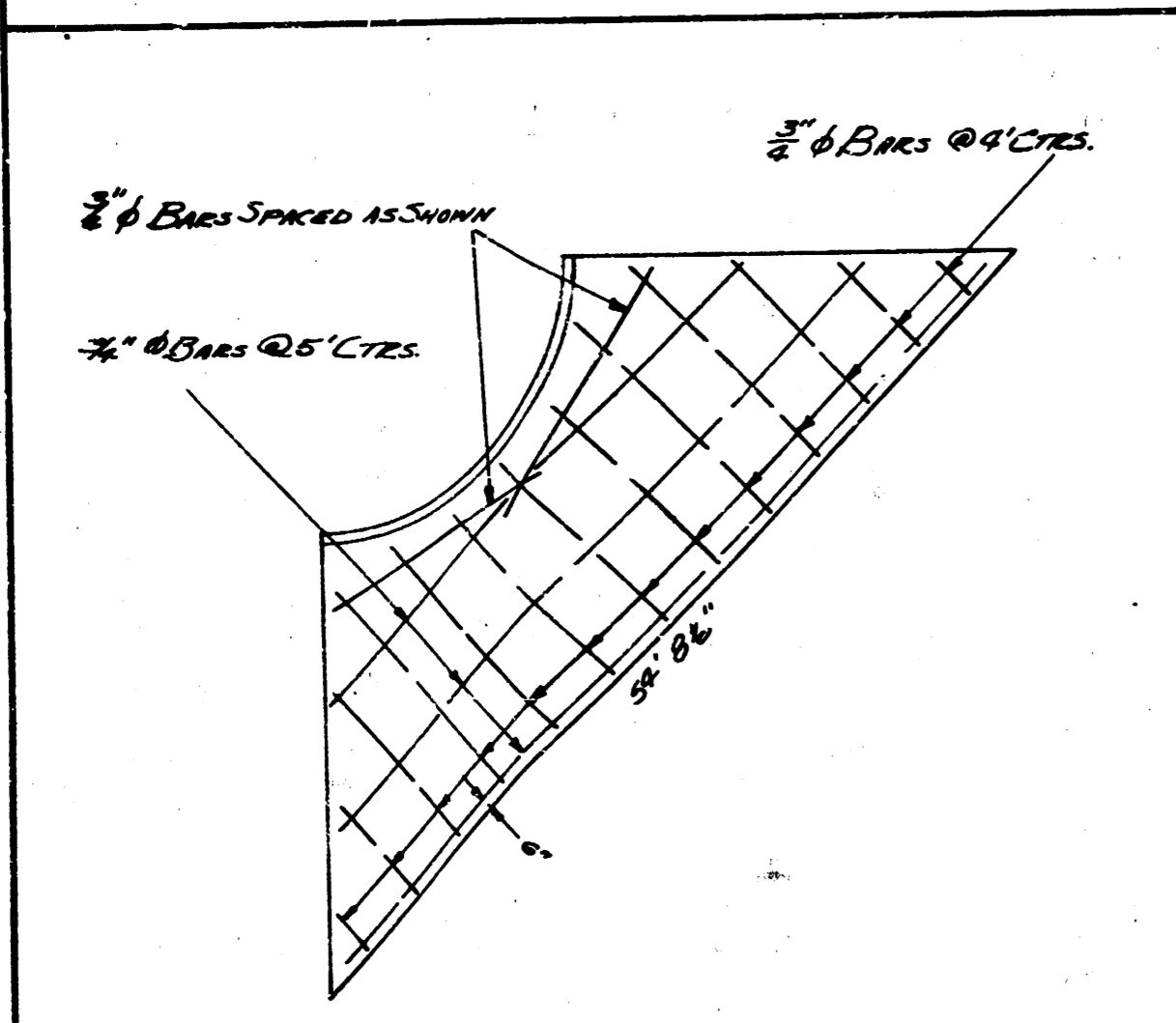
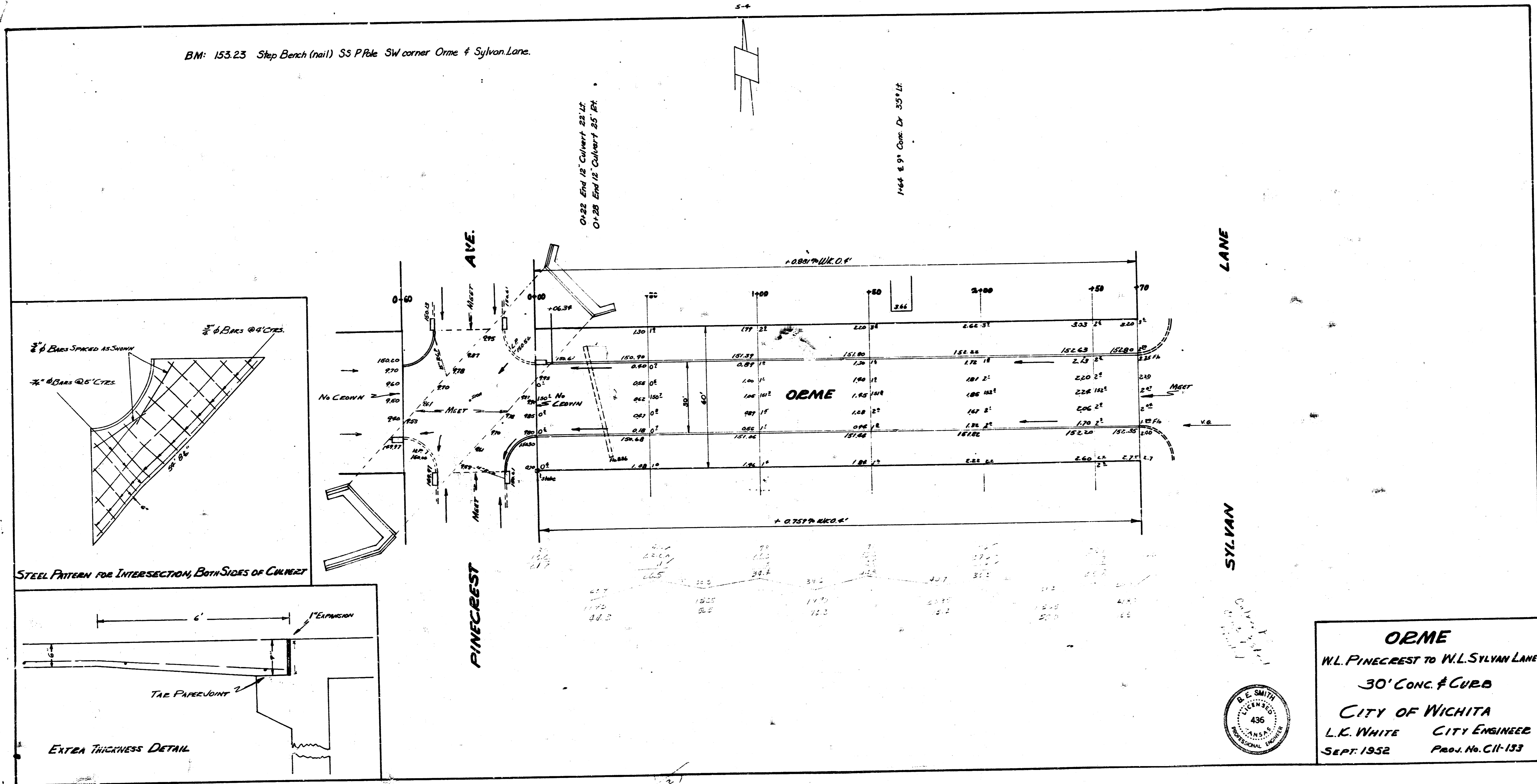
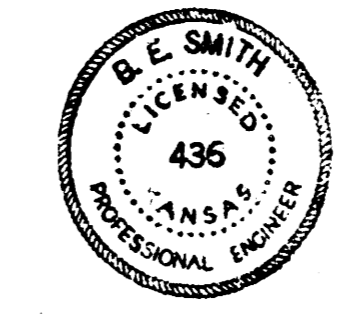


BM: 153.23 Step Bench (nail) SS P Pole SW corner Orme & Sylvan Lane.

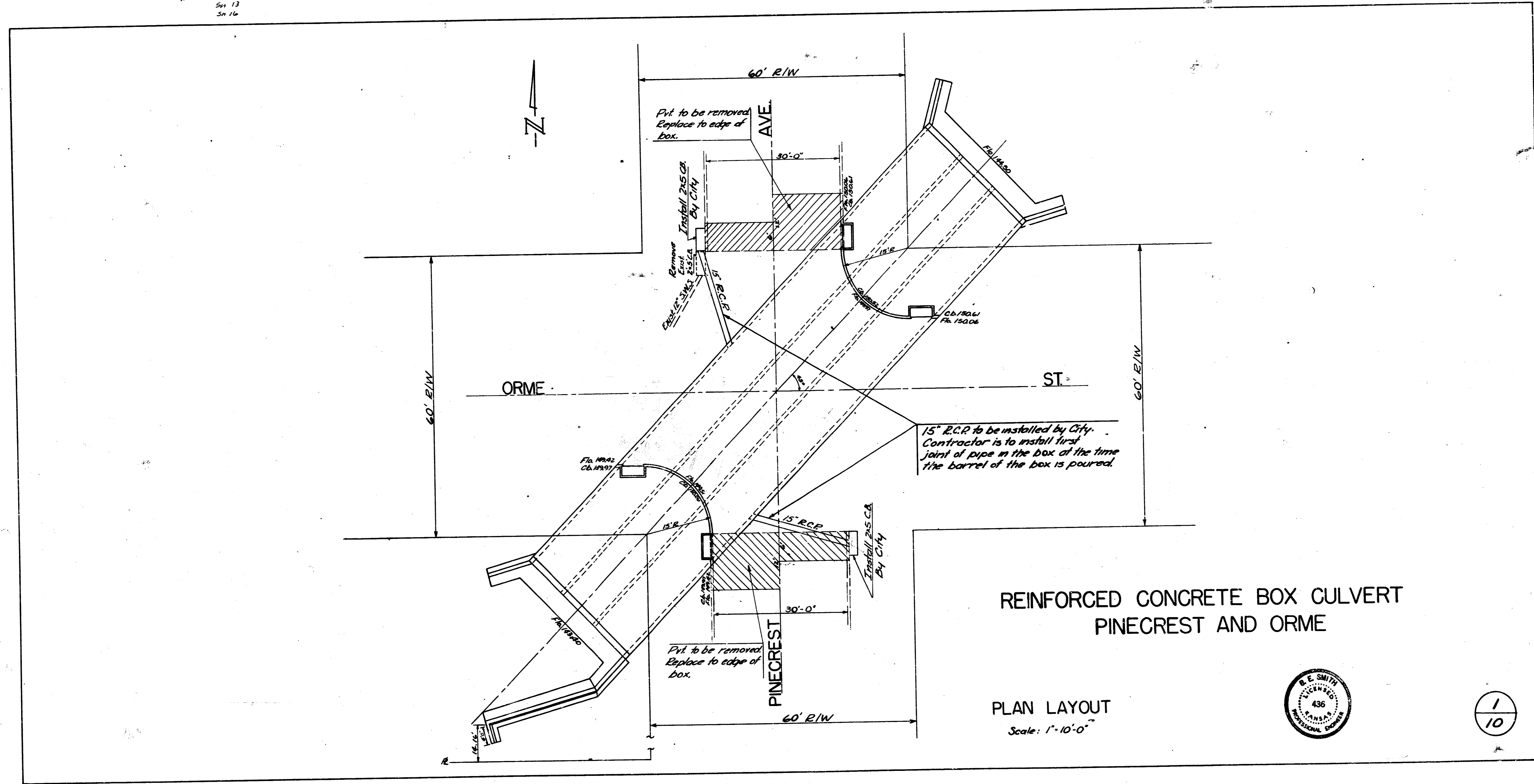


Reinforcing Bars: All 3/4\"/>

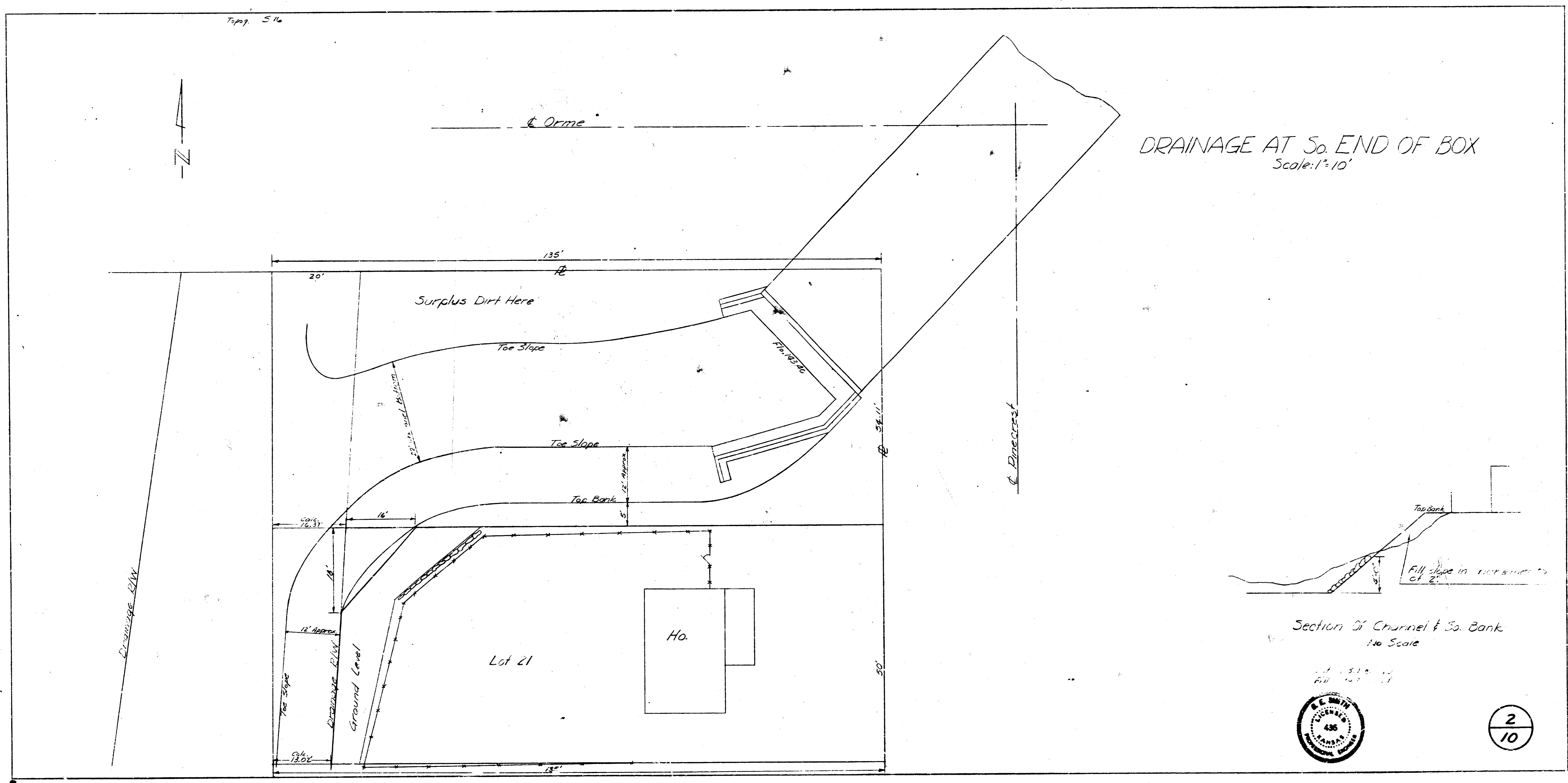


ORME
 W.L. PINECREST TO W.L. SYLVAN LANE
 30' CONC. & CURB
 CITY OF WICHITA
 L.K. WHITE CITY ENGINEER
 SEPT. 1952 Proj. No. C11-133

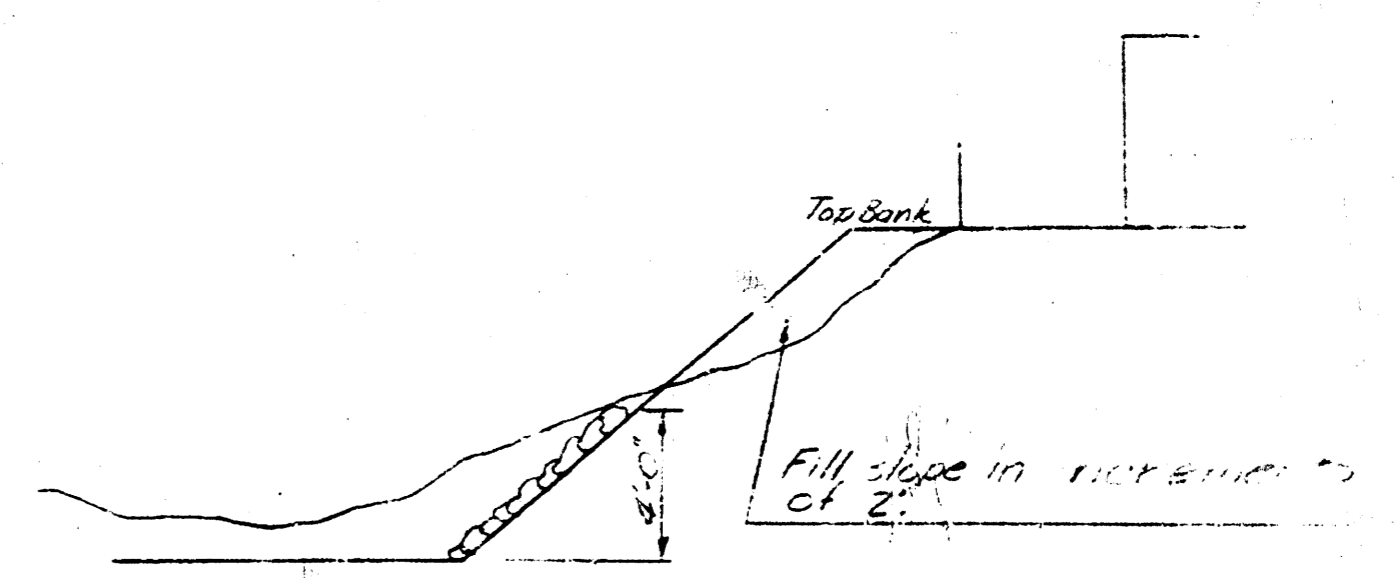
Book S-2
S-13
S-16



Page 516



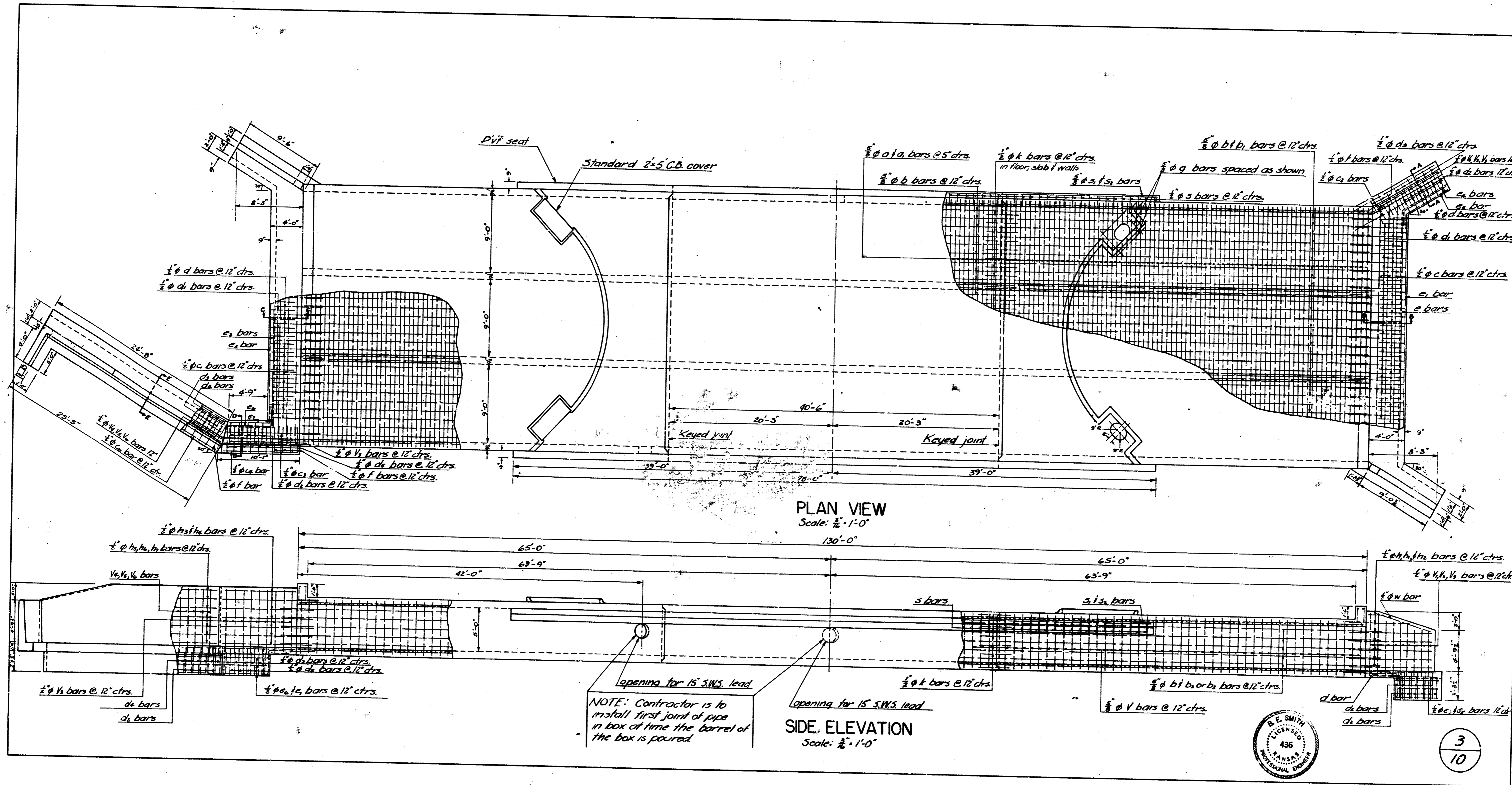
DRAINAGE AT So. END OF BOX
Scale: 1" = 10'

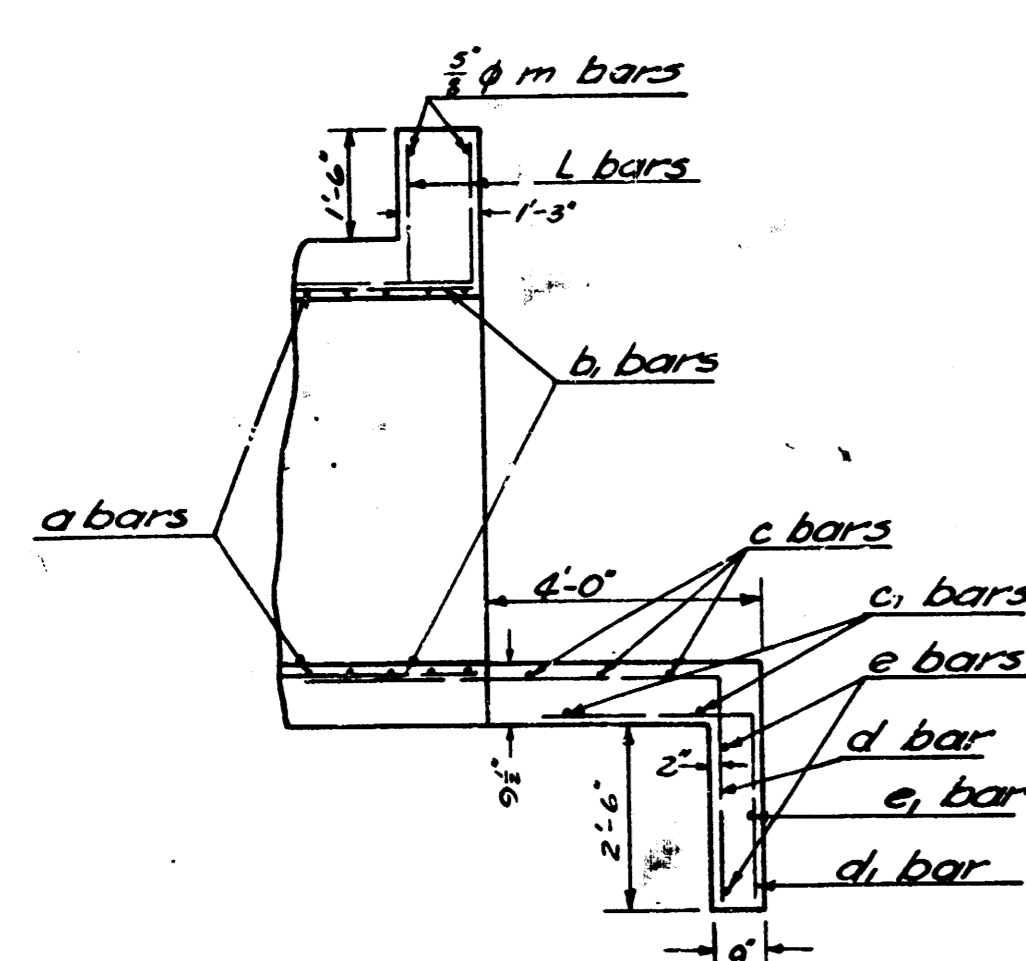


Section of Channel & So. Bank
1/4" Scale

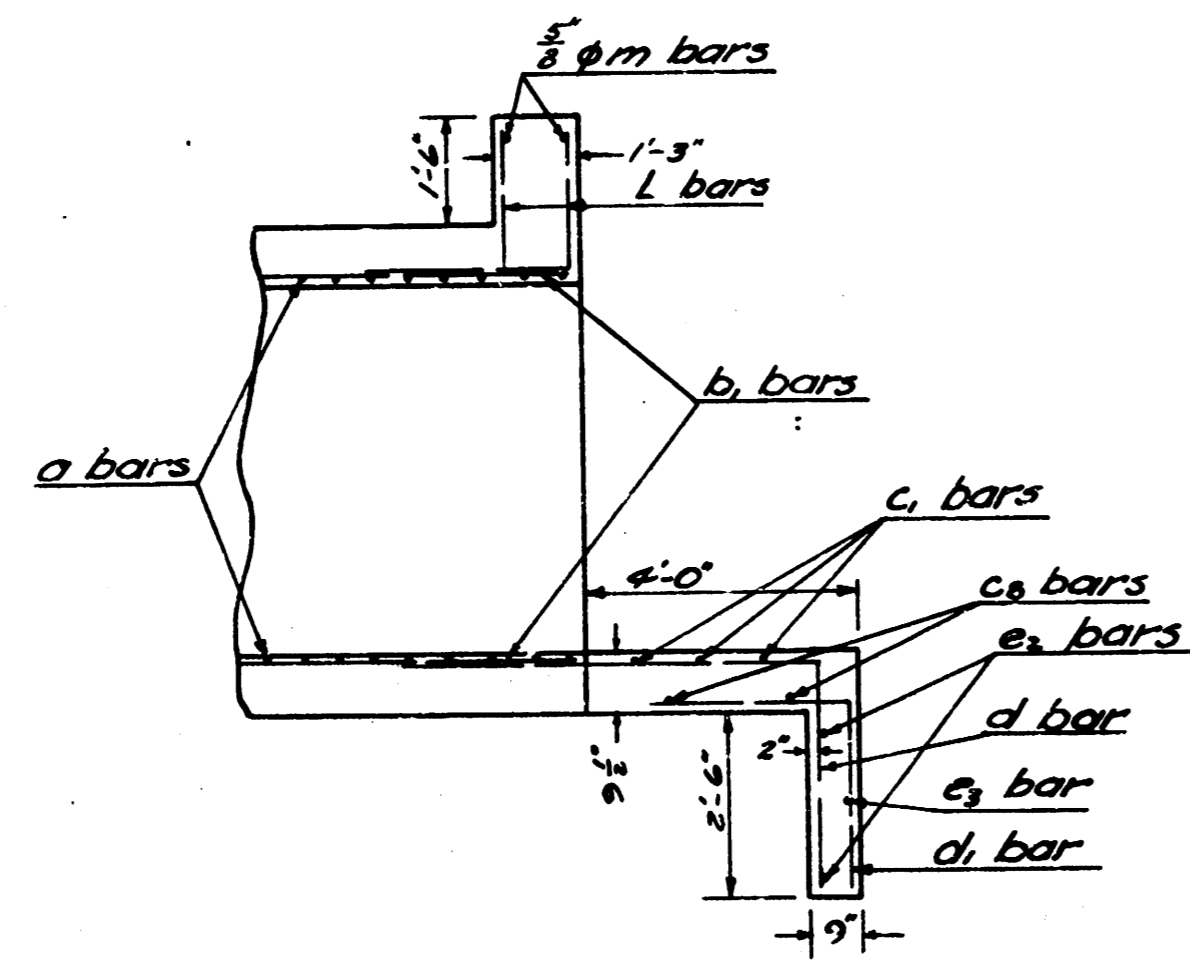


2
10

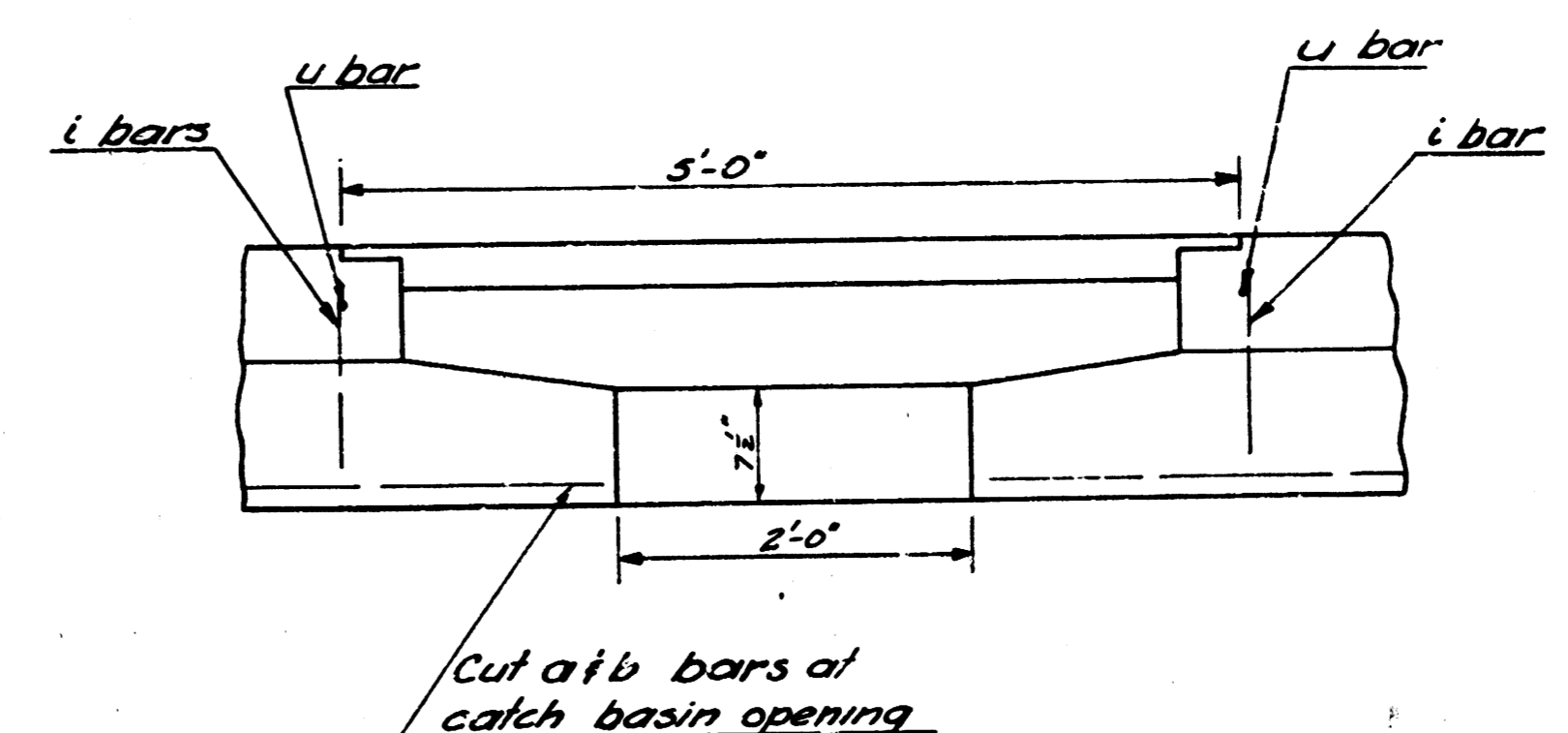
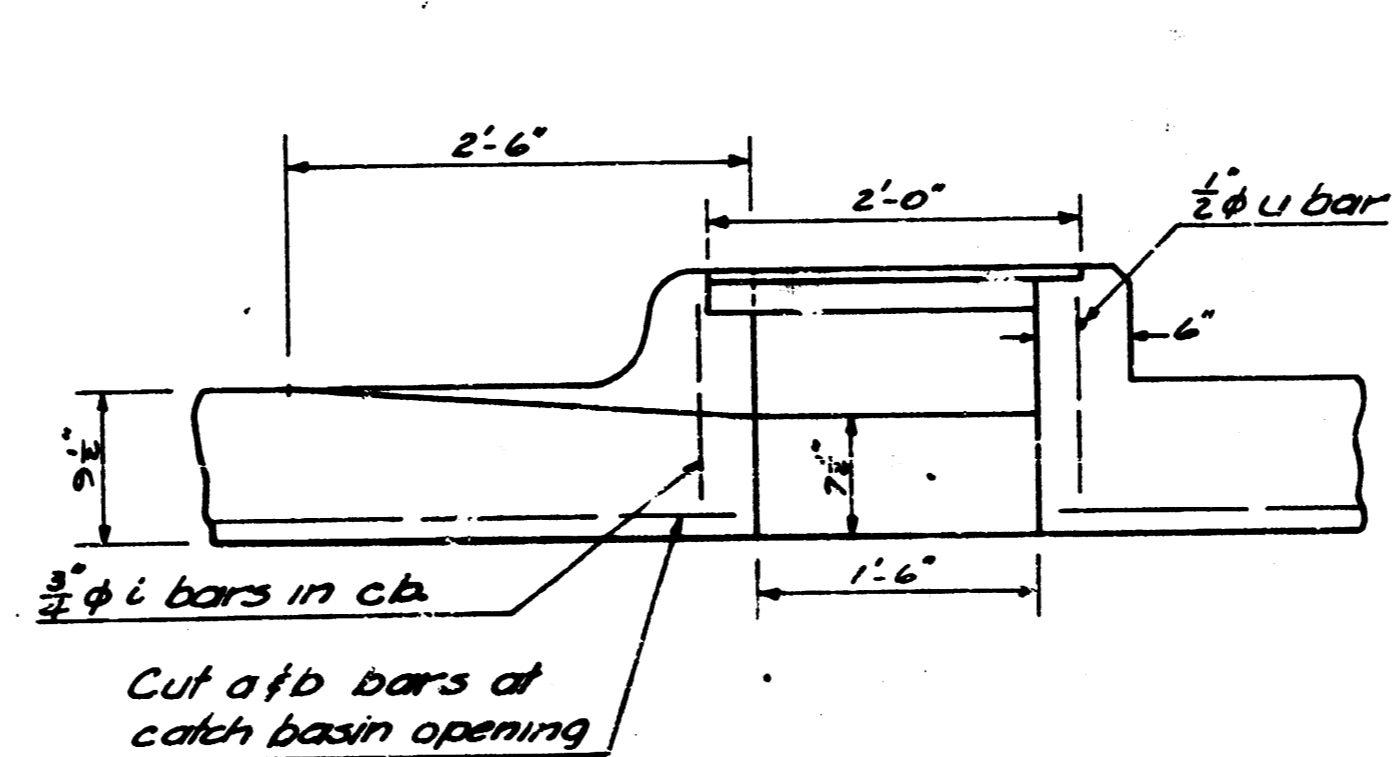




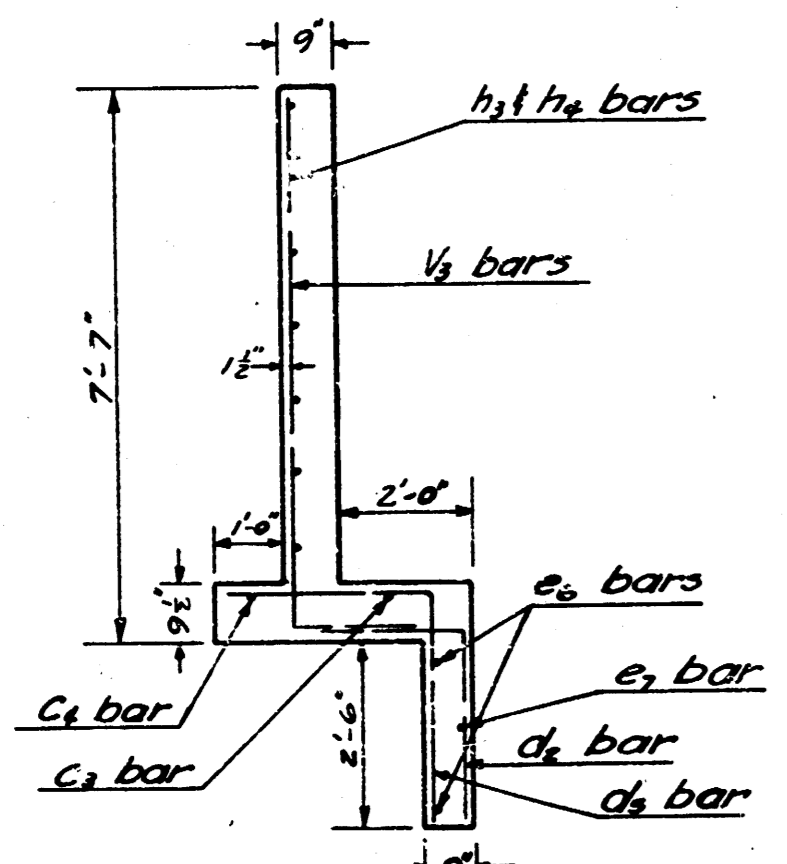
SECTION B-B
Scale: 1/8" = 1'-0"



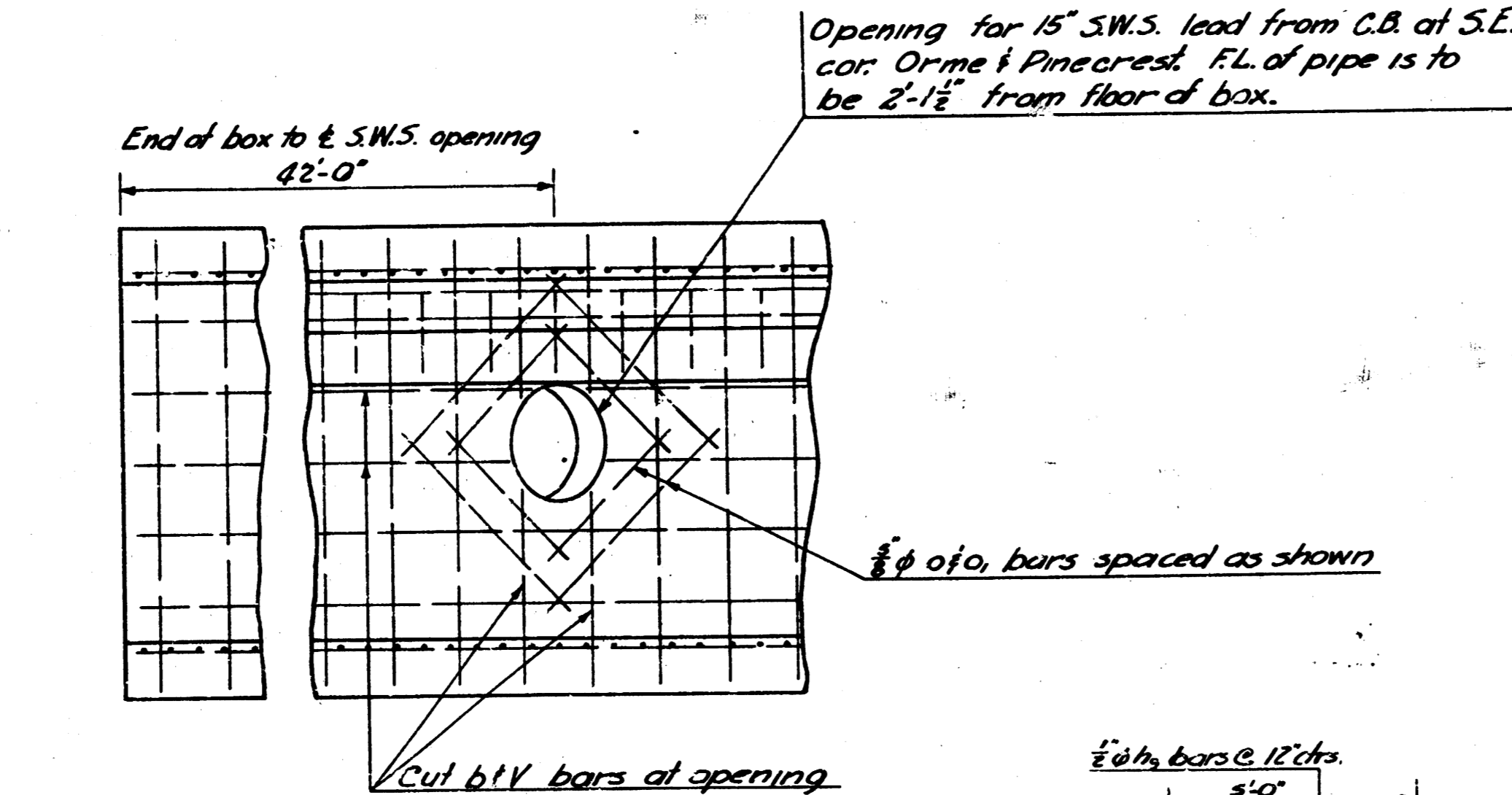
SECTION C-C
Scale: 1/8" = 1'-0"



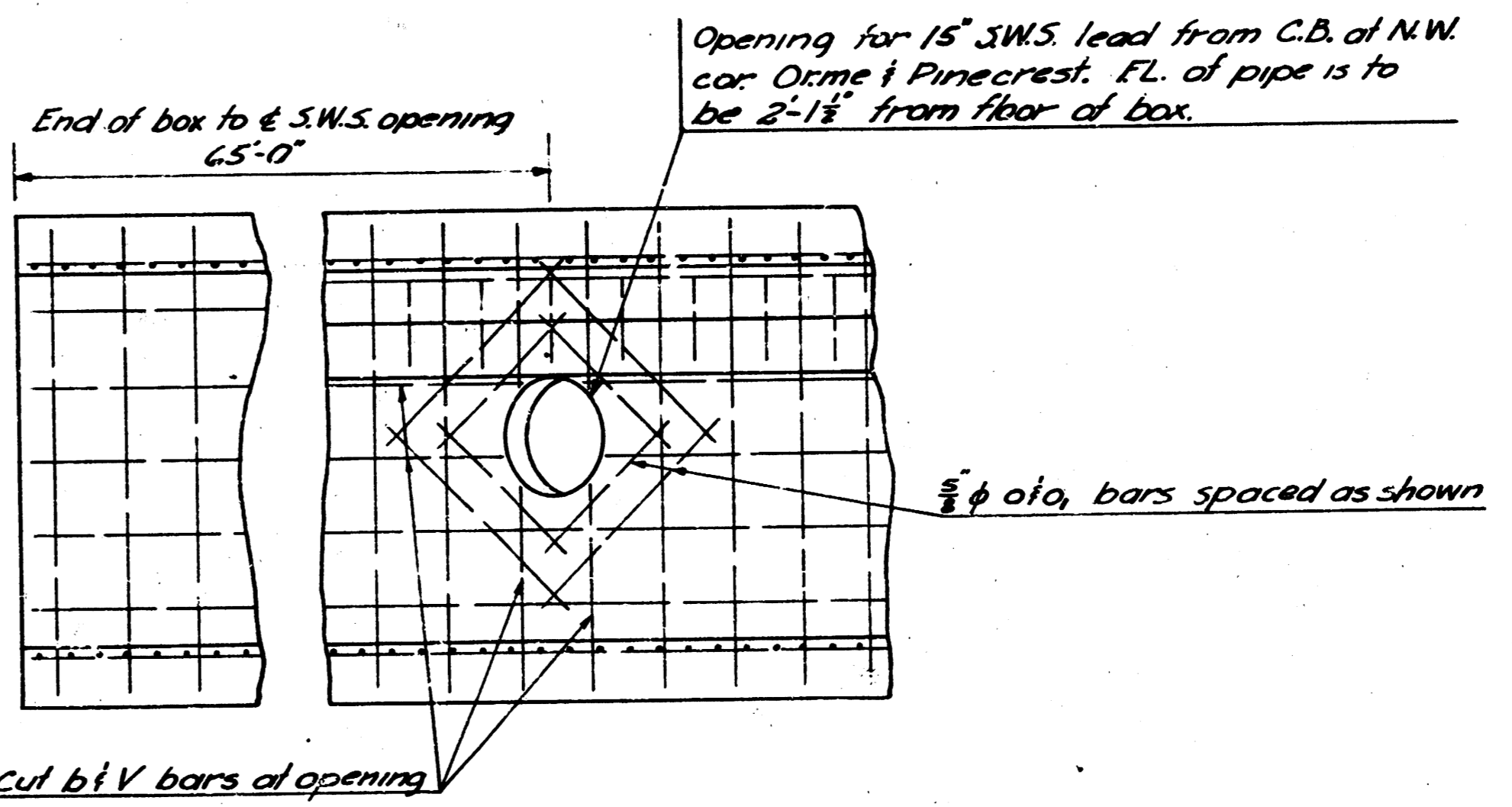
SECTIONS THROUGH C.B.S.
Scale: 1" = 1'-0"



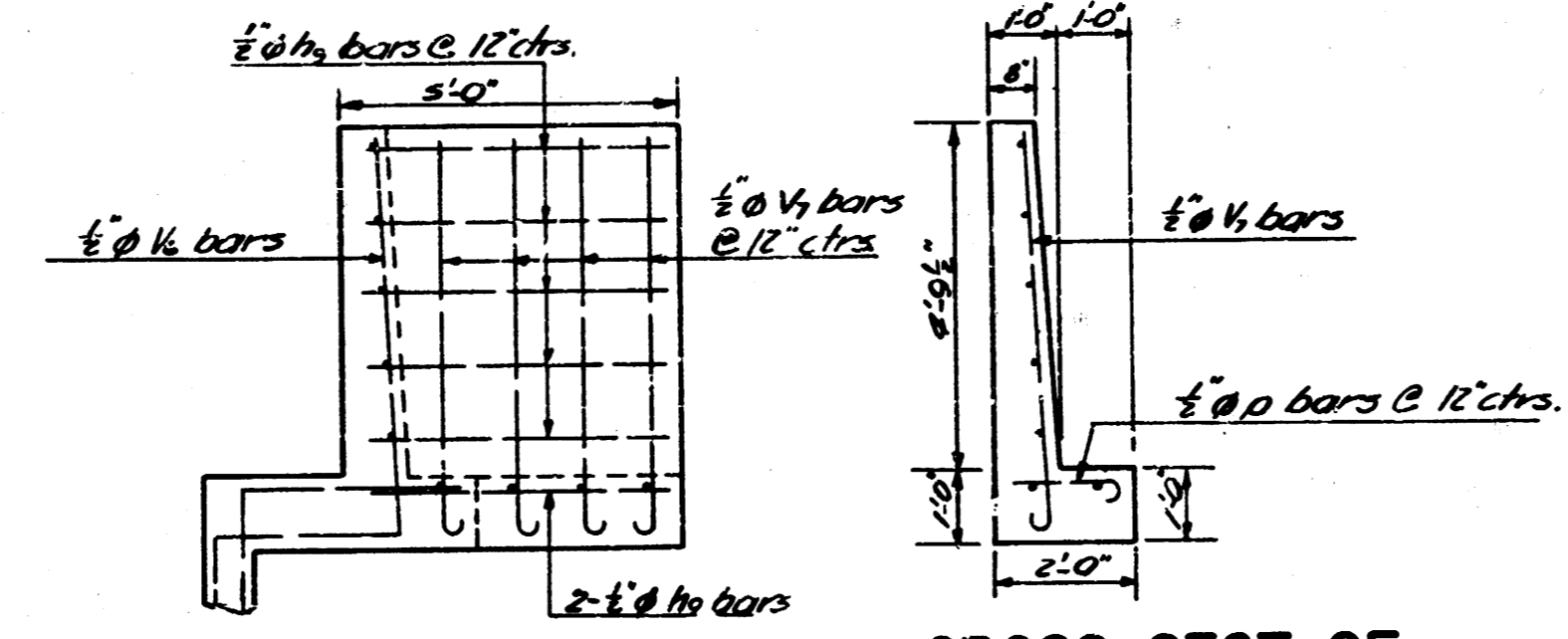
SECTION D-D
Scale: 1/8" = 1'-0"



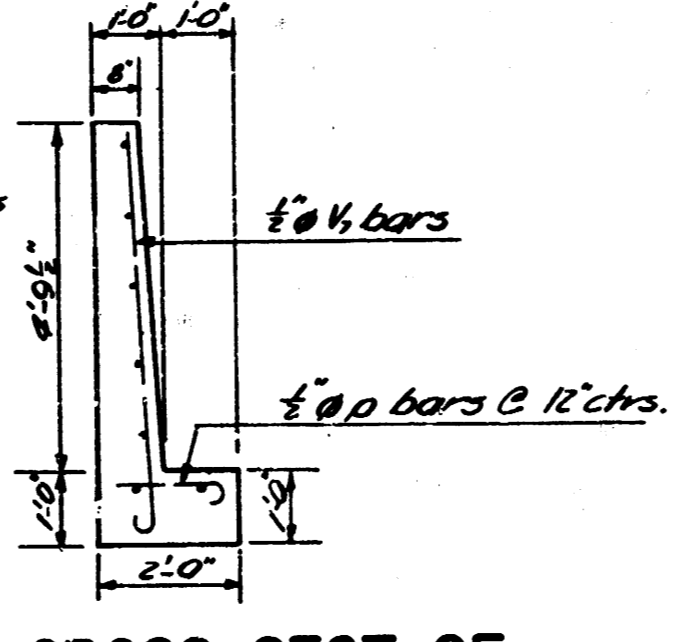
SECTION S.W.S. OPENING E.S. BOX
Scale: 1/8" = 1'-0"



SECTION S.W.S. OPENING W.S. OF BOX
Scale: 1/8" = 1'-0"

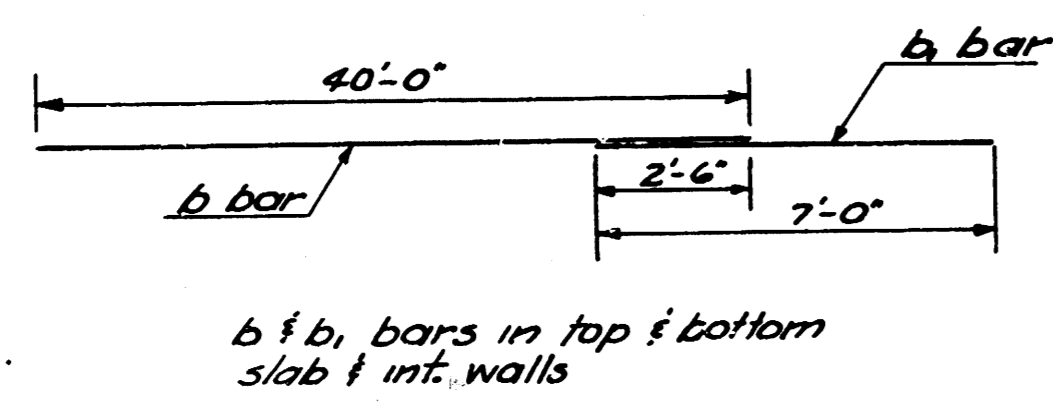


LONG SECT. OF EXTENSION AT END OF RET. WALL
Scale: 1/8" = 1'-0"

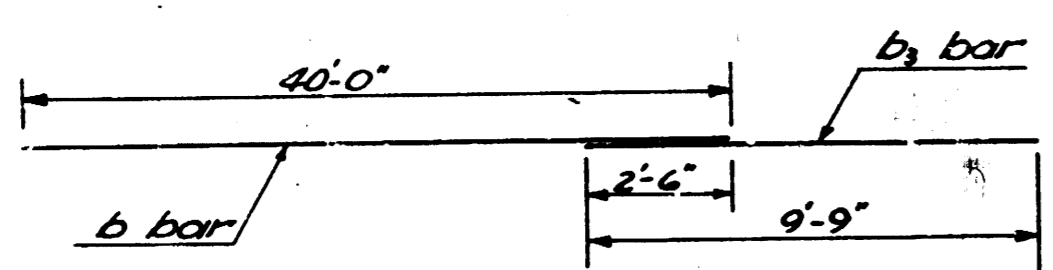


CROSS SECT. OF EXTENSION
Scale: 1/8" = 1'-0"

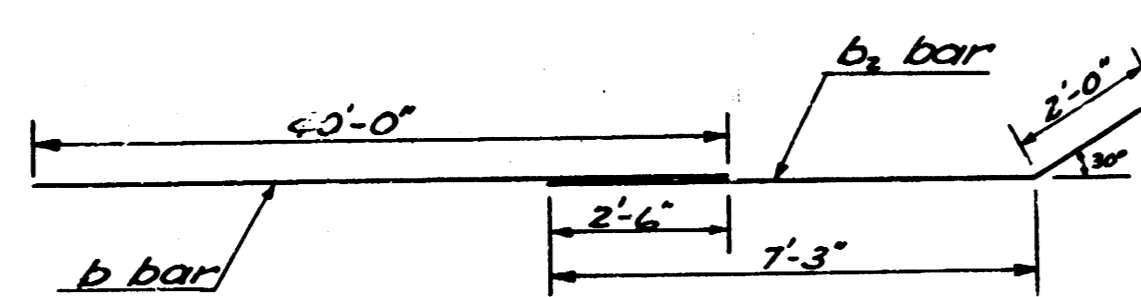




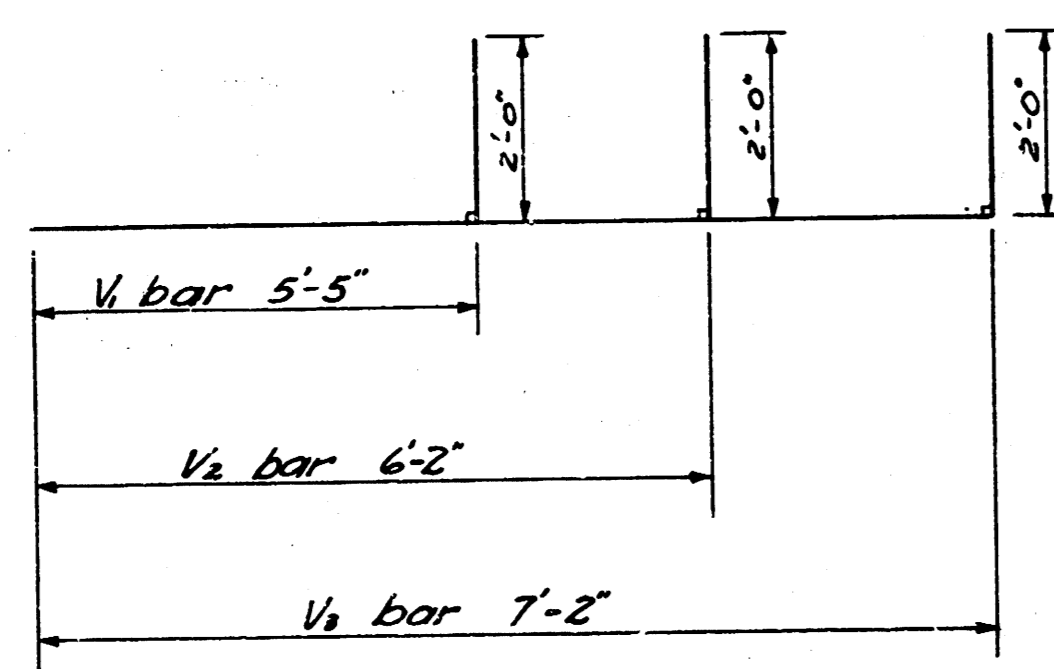
b f b₁ bars in top f bottom slab f int. walls



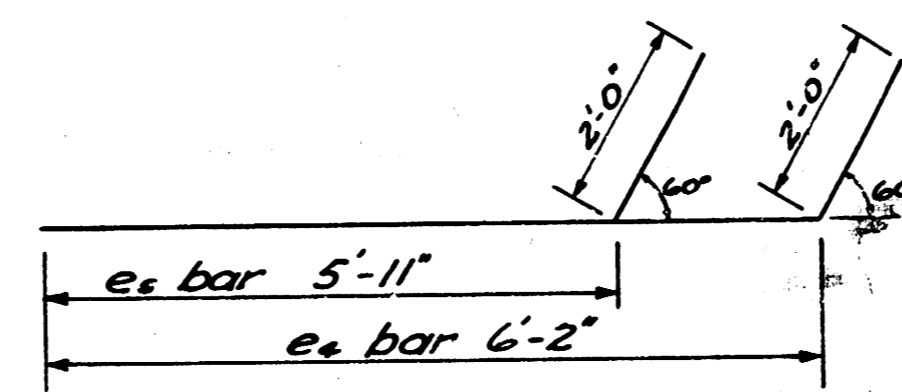
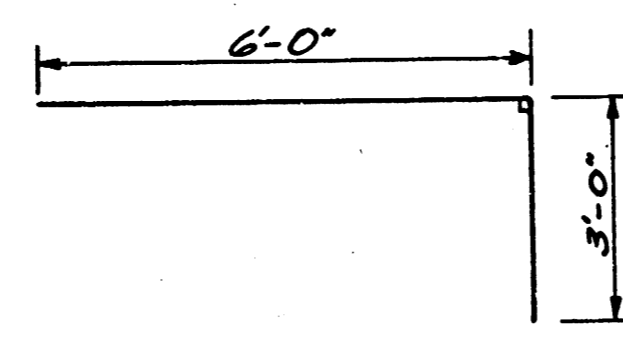
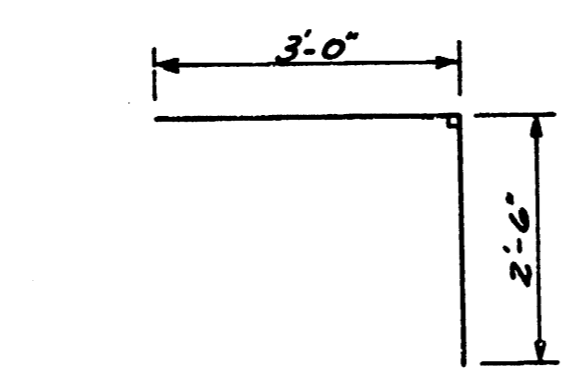
b f b₁ bars in ext. wall of straight wing wall



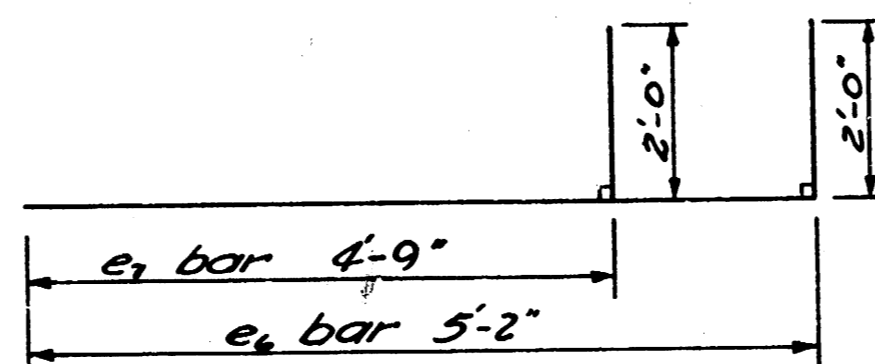
b f b₁ bars in ext. walls



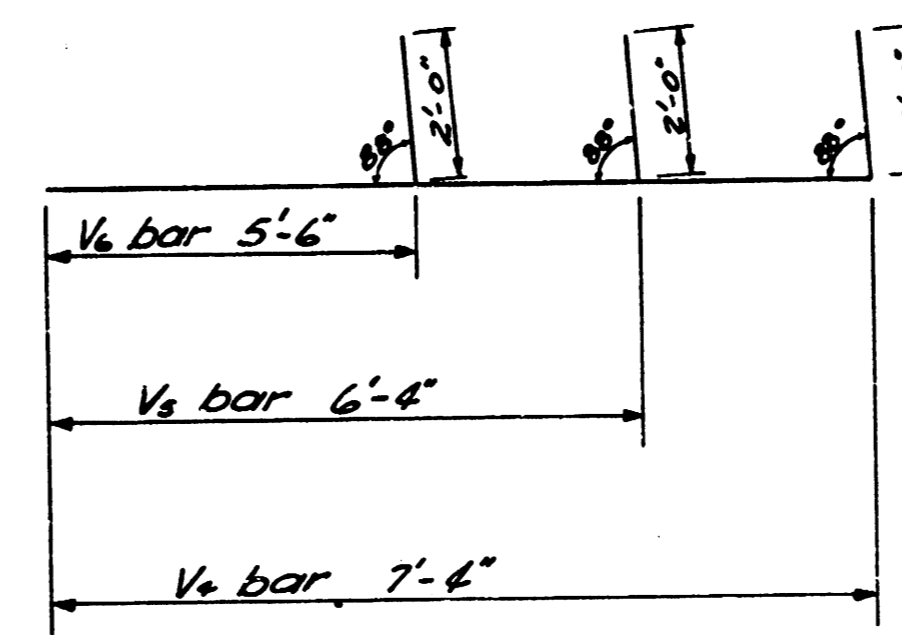
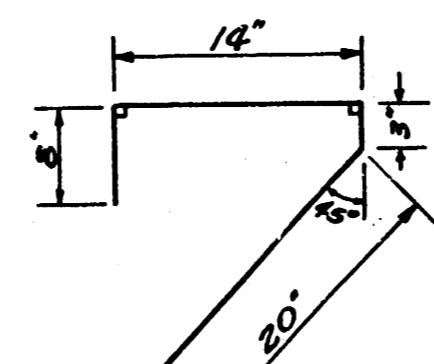
V₁, V₂, f V₃ bars



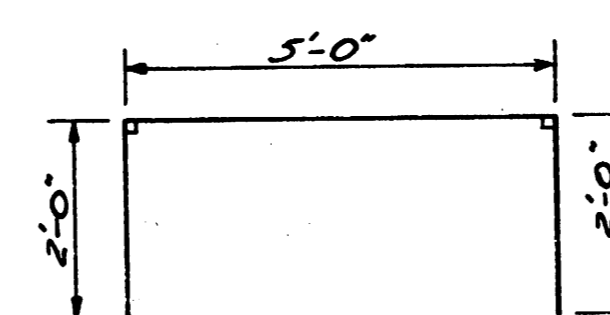
e₁ f e₂ bars



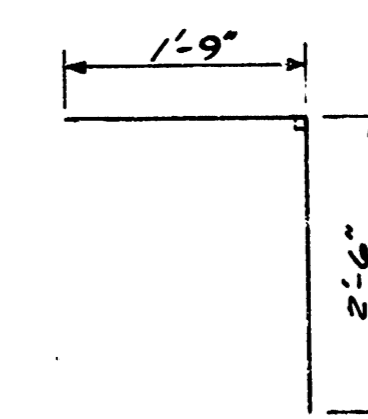
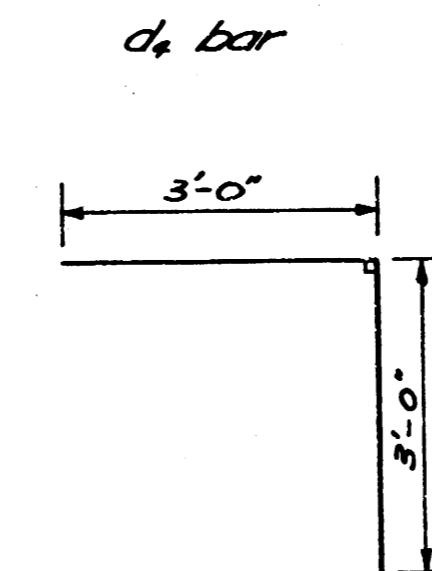
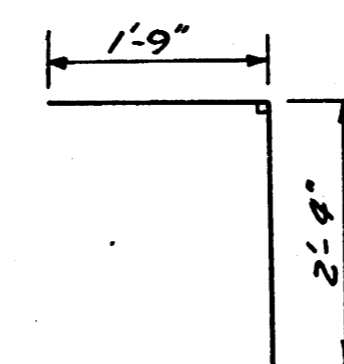
e₁ f e₂ bars



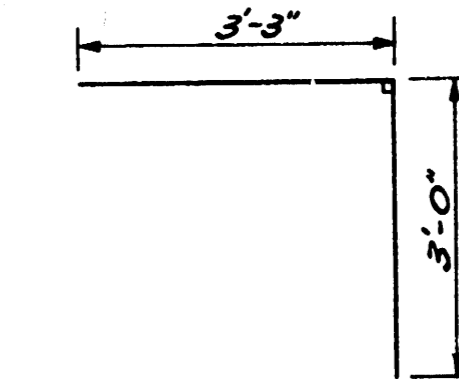
V₄, V₅, f V₆ bars



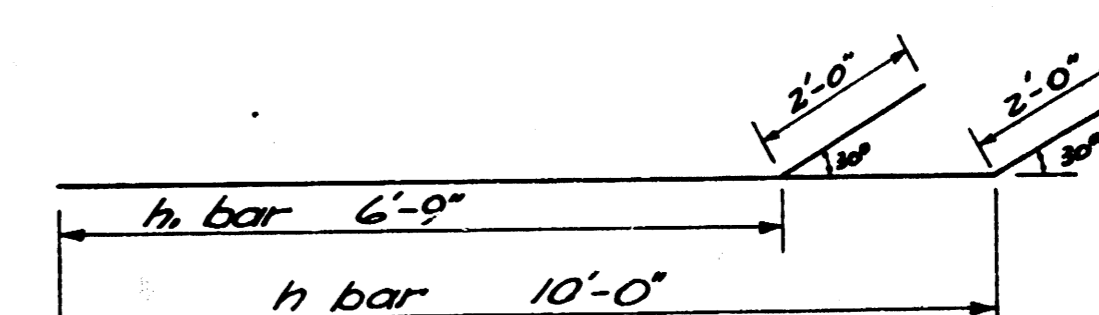
u bar



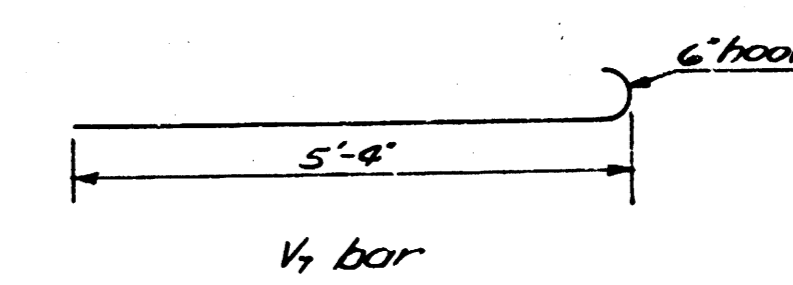
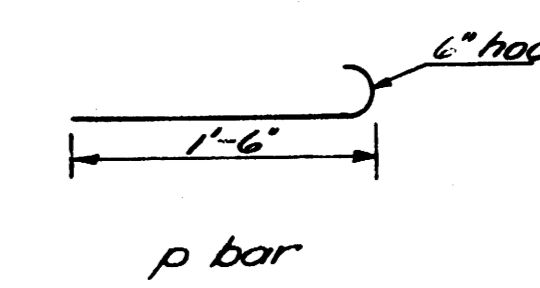
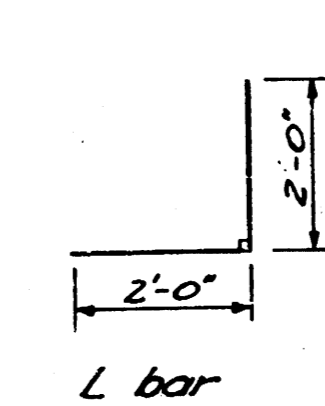
d₂ bar



d₃ bar



h₁ f h₂ bars



BAR BENDING DIAGRAMS
No Scale



Fig - 100
 1.10
 1.10
 1.10
 1.10
 1.10
 1.10

STEEL SCHEDULE									
BAR	SIZE	NO.	LENGTH	SHAPE	BAR	SIZE	NO.	LENGTH	SHAPE
C	#8	622	20'-10"		f	#8	14	3'-0"	
D	#8	1244	6'-0"		g	#8	16	4'-0"	
E	#8	1244	40'-0"		h	#8	15	12'-0"	
F	#8	144	7'-0"		i	#8	3	8'-9"	
G	#8	15	9'-3"		ja	#8	3	1'-9"	
H	#8	5	9'-9"		jb	#8	6	11'-10"	
I	#8	3	30'-3"		jc	#8	1	9'-2"	
J	#8	3	29'-0"		jd	#8	5	25'-0"	
K	#8	6	12'-0"		je	#8	1	21'-0"	
L	#8	1	11'-6"		jf	#8	2	16'-0"	
M	#8	1	9'-6"		kg	#8	2	10'-0"	
N	#8	3	28'-5"		lh	#8	36	1'-0"	
O	#8	1	25'-0"		li	#8	144	4'-0"	
P	#8	2	28'-0"		lj	#8	54	4'-0"	
Q	#8	2	26'-0"		lk	#8	4	29'-2"	
R	#8	54	9'-0"		ll	#8	8	2'-6"	
S	#8	54	5'-6"		lm	#8	8	3'-6"	
T	#8	23	4'-3"		ln	#8	150	3'-9"	
U	#8	24	6'-3"		lo	#8	2	40'-0"	
V	#8	25	4'-1"		lp	#8	4	18'-5"	
W	#8	24	6'-0"		lq	#8	4	9'-0"	
X	#8	2	28'-3"		lr	#8	528	6'-0"	
Y	#8	1	28'-9"		ls	#8	9	7'-5"	
Z	#8	2	27'-5"		lt	#8	12	8'-2"	
aa	#8	1	26'-10"		lu	#8	15	9'-2"	
ab	#8	4	8'-2"		lv	#8	16	9'-4"	
ac	#8	3	7'-11"		lw	#8	5	8'-4"	
ad	#8	2	7'-2"		lx	#8	4	7'-6"	
ae	#8	1	6'-9"		ly	#8	4	5'-0"	
af	#8	3	28'-5"		lz	#8	3	8'-6"	
					ma	#8	7	4'-6"	
					mb	#8	4	2'-0"	

BILL OF MATERIALS		
ITEM	QUANTITY	UNITS
Class A Conc	348.5	cu yds
General Excavation	890	cu yds
Compacted Backfill	227	cu yds
Hand Excavation	23	cu yds
Reinf Steel	45,675	Lbs
Integral Curb	75	Lin Ft
4" Tile	2	Lin Ft
Catch Basins	2	
Catch Basin Covers	4	
15" RCP	46	Lin Ft
6" Conc. Pit removed	61	Sq Yds
6" Conc. Pit replaced	54	Sq Yds
Removal of exist. culvert	-	-

6400 = 34266
 1100 = 4929
 150 = 7849
 500 = 2666
 1000 = 44380
 0.53
 150
 2.85
 100.00

2 cent
 48'-9" = 48'-9"
 317'-11" = 317'-11"
 217'-2" = 217'-2"
 117'-6" = 117'-6"
 217'-8" = 217'-8"
 147'-3" = 147'-3"
 217'-5" = 217'-5"
 217'-7" = 217'-7"
 317'-9" = 317'-9"
 417'-1" = 417'-1"
 517'-3" = 517'-3"
 617'-5" = 617'-5"
 717'-7" = 717'-7"
 817'-9" = 817'-9"
 917'-1" = 917'-1"
 1017'-3" = 1017'-3"
 1117'-5" = 1117'-5"
 1217'-7" = 1217'-7"
 1317'-9" = 1317'-9"
 1417'-1" = 1417'-1"
 1517'-3" = 1517'-3"
 1617'-5" = 1617'-5"
 1717'-7" = 1717'-7"
 1817'-9" = 1817'-9"
 1917'-1" = 1917'-1"
 2017'-3" = 2017'-3"
 2117'-5" = 2117'-5"
 2217'-7" = 2217'-7"
 2317'-9" = 2317'-9"
 2417'-1" = 2417'-1"
 2517'-3" = 2517'-3"
 2617'-5" = 2617'-5"
 2717'-7" = 2717'-7"
 2817'-9" = 2817'-9"
 2917'-1" = 2917'-1"
 3017'-3" = 3017'-3"
 3117'-5" = 3117'-5"
 3217'-7" = 3217'-7"
 3317'-9" = 3317'-9"
 3417'-1" = 3417'-1"
 3517'-3" = 3517'-3"
 3617'-5" = 3617'-5"
 3717'-7" = 3717'-7"
 3817'-9" = 3817'-9"
 3917'-1" = 3917'-1"
 4017'-3" = 4017'-3"
 4117'-5" = 4117'-5"
 4217'-7" = 4217'-7"
 4317'-9" = 4317'-9"
 4417'-1" = 4417'-1"
 4517'-3" = 4517'-3"
 4617'-5" = 4617'-5"
 4717'-7" = 4717'-7"
 4817'-9" = 4817'-9"
 4917'-1" = 4917'-1"
 5017'-3" = 5017'-3"
 5117'-5" = 5117'-5"
 5217'-7" = 5217'-7"
 5317'-9" = 5317'-9"
 5417'-1" = 5417'-1"
 5517'-3" = 5517'-3"
 5617'-5" = 5617'-5"
 5717'-7" = 5717'-7"
 5817'-9" = 5817'-9"
 5917'-1" = 5917'-1"
 6017'-3" = 6017'-3"
 6117'-5" = 6117'-5"
 6217'-7" = 6217'-7"
 6317'-9" = 6317'-9"
 6417'-1" = 6417'-1"
 6517'-3" = 6517'-3"
 6617'-5" = 6617'-5"
 6717'-7" = 6717'-7"
 6817'-9" = 6817'-9"
 6917'-1" = 6917'-1"
 7017'-3" = 7017'-3"
 7117'-5" = 7117'-5"
 7217'-7" = 7217'-7"
 7317'-9" = 7317'-9"
 7417'-1" = 7417'-1"
 7517'-3" = 7517'-3"
 7617'-5" = 7617'-5"
 7717'-7" = 7717'-7"
 7817'-9" = 7817'-9"
 7917'-1" = 7917'-1"
 8017'-3" = 8017'-3"
 8117'-5" = 8117'-5"
 8217'-7" = 8217'-7"
 8317'-9" = 8317'-9"
 8417'-1" = 8417'-1"
 8517'-3" = 8517'-3"
 8617'-5" = 8617'-5"
 8717'-7" = 8717'-7"
 8817'-9" = 8817'-9"
 8917'-1" = 8917'-1"
 9017'-3" = 9017'-3"
 9117'-5" = 9117'-5"
 9217'-7" = 9217'-7"
 9317'-9" = 9317'-9"
 9417'-1" = 9417'-1"
 9517'-3" = 9517'-3"
 9617'-5" = 9617'-5"
 9717'-7" = 9717'-7"
 9817'-9" = 9817'-9"
 9917'-1" = 9917'-1"
 10017'-3" = 10017'-3"
 10117'-5" = 10117'-5"
 10217'-7" = 10217'-7"
 10317'-9" = 10317'-9"
 10417'-1" = 10417'-1"
 10517'-3" = 10517'-3"
 10617'-5" = 10617'-5"
 10717'-7" = 10717'-7"
 10817'-9" = 10817'-9"
 10917'-1" = 10917'-1"
 11017'-3" = 11017'-3"
 11117'-5" = 11117'-5"
 11217'-7" = 11217'-7"
 11317'-9" = 11317'-9"
 11417'-1" = 11417'-1"
 11517'-3" = 11517'-3"
 11617'-5" = 11617'-5"
 11717'-7" = 11717'-7"
 11817'-9" = 11817'-9"
 11917'-1" = 11917'-1"
 12017'-3" = 12017'-3"
 12117'-5" = 12117'-5"
 12217'-7" = 12217'-7"
 12317'-9" = 12317'-9"
 12417'-1" = 12417'-1"
 12517'-3" = 12517'-3"
 12617'-5" = 12617'-5"
 12717'-7" = 12717'-7"
 12817'-9" = 12817'-9"
 12917'-1" = 12917'-1"
 13017'-3" = 13017'-3"
 13117'-5" = 13117'-5"
 13217'-7" = 13217'-7"
 13317'-9" = 13317'-9"
 13417'-1" = 13417'-1"
 13517'-3" = 13517'-3"
 13617'-5" = 13617'-5"
 13717'-7" = 13717'-7"
 13817'-9" = 13817'-9"
 13917'-1" = 13917'-1"
 14017'-3" = 14017'-3"
 14117'-5" = 14117'-5"
 14217'-7" = 14217'-7"
 14317'-9" = 14317'-9"
 14417'-1" = 14417'-1"
 14517'-3" = 14517'-3"
 14617'-5" = 14617'-5"
 14717'-7" = 14717'-7"
 14817'-9" = 14817'-9"
 14917'-1" = 14917'-1"
 15017'-3" = 15017'-3"
 15117'-5" = 15117'-5"
 15217'-7" = 15217'-7"
 15317'-9" = 15317'-9"
 15417'-1" = 15417'-1"
 15517'-3" = 15517'-3"
 15617'-5" = 15617'-5"
 15717'-7" = 15717'-7"
 15817'-9" = 15817'-9"
 15917'-1" = 15917'-1"
 16017'-3" = 16017'-3"
 16117'-5" = 16117'-5"
 16217'-7" = 16217'-7"
 16317'-9" = 16317'-9"
 16417'-1" = 16417'-1"
 16517'-3" = 16517'-3"
 16617'-5" = 16617'-5"
 16717'-7" = 16717'-7"
 16817'-9" = 16817'-9"
 16917'-1" = 16917'-1"
 17017'-3" = 17017'-3"
 17117'-5" = 17117'-5"
 17217'-7" = 17217'-7"
 17317'-9" = 17317'-9"
 17417'-1" = 17417'-1"
 17517'-3" = 17517'-3"
 17617'-5" = 17617'-5"
 17717'-7" = 17717'-7"
 17817'-9" = 17817'-9"
 17917'-1" = 17917'-1"
 18017'-3" = 18017'-3"
 18117'-5" = 18117'-5"
 18217'-7" = 18217'-7"
 18317'-9" = 18317'-9"
 18417'-1" = 18417'-1"
 18517'-3" = 18517'-3"
 18617'-5" = 18617'-5"
 18717'-7" = 18717'-7"
 18817'-9" = 18817'-9"
 18917'-1" = 18917'-1"
 19017'-3" = 19017'-3"
 19117'-5" = 19117'-5"
 19217'-7" = 19217'-7"
 19317'-9" = 19317'-9"
 19417'-1" = 19417'-1"
 19517'-3" = 19517'-3"
 19617'-5" = 19617'-5"
 19717'-7" = 19717'-7"
 19817'-9" = 19817'-9"
 19917'-1" = 19917'-1"
 20017'-3" = 20017'-3"
 20117'-5" = 20117'-5"
 20217'-7" = 20217'-7"
 20317'-9" = 20317'-9"
 20417'-1" = 20417'-1"
 20517'-3" = 20517'-3"
 20617'-5" = 20617'-5"
 20717'-7" = 20717'-7"
 20817'-9" = 20817'-9"
 20917'-1" = 20917'-1"
 21017'-3" = 21017'-3"
 21117'-5" = 21117'-5"
 21217'-7" = 21217'-7"
 21317'-9" = 21317'-9"
 21417'-1" = 21417'-1"
 21517'-3" = 21517'-3"
 21617'-5" = 21617'-5"
 21717'-7" = 21717'-7"
 21817'-9" = 21817'-9"
 21917'-1" = 21917'-1"
 22017'-3" = 22017'-3"
 22117'-5" = 22117'-5"
 22217'-7" = 22217'-7"
 22317'-9" = 22317'-9"
 22417'-1" = 22417'-1"
 22517'-3" = 22517'-3"
 22617'-5" = 22617'-5"
 22717'-7" = 22717'-7"
 22817'-9" = 22817'-9"
 22917'-1" = 22917'-1"
 23017'-3" = 23017'-3"
 23117'-5" = 23117'-5"
 23217'-7" = 23217'-7"
 23317'-9" = 23317'-9"
 23417'-1" = 23417'-1"
 23517'-3" = 23517'-3"
 23617'-5" = 23617'-5"
 23717'-7" = 23717'-7"
 23817'-9" = 23817'-9"
 23917'-1" = 23917'-1"
 24017'-3" = 24017'-3"
 24117'-5" = 24117'-5"
 24217'-7" = 24217'-7"
 24317'-9" = 24317'-9"
 24417'-1" = 24417'-1"
 24517'-3" = 24517'-3"
 24617'-5" = 24617'-5"
 24717'-7" = 24717'-7"
 24817'-9" = 24817'-9"
 24917'-1" = 24917'-1"
 25017'-3" = 25017'-3"
 25117'-5" = 25117'-5"
 25217'-7" = 25217'-7"
 25317'-9" = 25317'-9"
 25417'-1" = 25417'-1"
 25517'-3" = 25517'-3"
 25617'-5" = 25617'-5"
 25717'-7" = 25717'-7"
 25817'-9" = 25817'-9"
 25917'-1" = 25917'-1"
 26017'-3" = 26017'-3"
 26117'-5" = 26117'-5"
 26217'-7" = 26217'-7"
 26317'-9" = 26317'-9"
 26417'-1" = 26417'-1"
 26517'-3" = 26517'-3"
 26617'-5" = 26617'-5"
 26717'-7" = 26717'-7"
 26817'-9" = 26817'-9"
 26917'-1" = 26917'-1"
 27017'-3" = 27017'-3"
 27117'-5" = 27117'-5"
 27217'-7" = 27217'-7"
 27317'-9" = 27317'-9"
 27417'-1" = 27417'-1"
 27517'-3" = 27517'-3"
 27617'-5" = 27617'-5"
 27717'-7" = 27717'-7"
 27817'-9" = 27817'-9"
 27917'-1" = 27917'-1"
 28017'-3" = 28017'-3"
 28117'-5" = 28117'-5"
 28217'-7" = 28217'-7"
 28317'-9" = 28317'-9"
 28417'-1" = 28417'-1"
 28517'-3" = 28517'-3"
 28617'-5" = 28617'-5"
 28717'-7" = 28717'-7"
 28817'-9" = 28817'-9"
 28917'-1" = 28917'-1"
 29017'-3" = 29017'-3"
 29117'-5" = 29117'-5"
 29217'-7" = 29217'-7"
 29317'-9" = 29317'-9"
 29417'-1" = 29417'-1"
 29517'-3" = 29517'-3"
 29617'-5" = 29617'-5"
 29717'-7" = 29717'-7"
 29817'-9" = 29817'-9"
 29917'-1" = 29917'-1"
 30017'-3" = 30017'-3"
 30117'-5" = 30117'-5"
 30217'-7" = 30217'-7"
 30317'-9" = 30317'-9"
 30417'-1" = 30417'-1"
 30517'-3" = 30517'-3"
 30617'-5" = 30617'-5"
 30717'-7" = 30717'-7"
 30817'-9" = 30817'-9"
 30917'-1" = 30917'-1"
 31017'-3" = 31017'-3"
 31117'-5" = 31117'-5"
 31217'-7" = 31217'-7"
 31317'-9" = 31317'-9"
 31417'-1" = 31417'-1"
 31517'-3" = 31517'-3"
 31617'-5" = 31617'-5"
 31717'-7" = 31717'-7"
 31817'-9" = 31817'-9"
 31917'-1" = 31917'-1"
 32017'-3" = 32017'-3"
 32117'-5" = 32117'-5"
 32217'-7" = 32217'-7"
 32317'-9" = 32317'-9"
 32417'-1" = 32417'-1"
 32517'-3" = 32517'-3"
 32617'-5" = 32617'-5"
 32717'-7" = 32717'-7"
 32817'-9" = 32817'-9"
 32917'-1" = 32917'-1"
 33017'-3" = 33017'-3"
 33117'-5" = 33117'-5"
 33217'-7" = 33217'-7"
 33317'-9" = 33317'-9"
 33417'-1" = 33417'-1"
 33517'-3" = 33517'-3"
 33617'-5" = 33617'-5"
 33717'-7" = 33717'-7"
 33817'-9" = 33817'-9"
 33917'-1" = 33917'-1"
 34017'-3" = 34017'-3"
 34117'-5" = 34117'-5"
 34217'-7" = 34217'-7"
 34317'-9" = 34317'-9"
 34417'-1" = 34417'-1"
 34517'-3" = 34517'-3"
 34617'-5" = 34617'-5"
 34717'-7" = 34717'-7"
 34817'-9" = 34817'-9"
 34917'-1" = 34917'-1"
 35017'-3" = 35017'-3"
 35117'-5" = 35117'-5"
 35217'-7" = 35217'-7"
 35317'-9" = 35317'-9"
 35417'-1" = 35417'-1"
 35517'-3" = 35517'-3"
 35617'-5" = 35617'-5"
 35717'-7" = 35717'-7"
 35817'-9" = 35817'-9"
 35917'-1" = 35917'-1"
 36017'-3" = 36017'-3"
 36117'-5" = 36117'-5"
 36217'-7" = 36217'-7"
 36317'-9" = 36317'-9"
 36417'-1" = 36417'-1"
 36517'-3" = 36517'-3"
 36617'-5" = 36617'-5"
 36717'-7" = 36717'-7"
 36817'-9" = 36817'-9"
 36917'-1" = 36917'-1"
 37017'-3" = 37017'-3"
 37117'-5" = 37117'-5"
 37217'-7" = 37217'-7"
 37317'-9" = 37317'-9"
 37417'-1" = 37417'-1"
 37517'-3" = 37517'-3"
 37617'-5" = 37617'-5"
 37717'-7" = 37717'-7"
 37817'-9" = 37817'-9"
 37917'-1" = 37917'-1"
 38017'-3" = 38017'-3"
 38117'-5" = 38117'-5"
 38217'-7" = 38217'-7"
 38317'-9" = 38317'-9"
 38417'-1" = 38417'-1"
 38517'-3" = 38517'-3"
 38617'-5" = 38617'-5"
 38717'-7" = 38717'-7"
 38817'-9" = 38817'-9"
 38917'-1" = 38917'-1"
 39017'-3" = 39017'-3"
 39117'-5" = 39117'-5"
 39217'-7" = 39217'-7"
 39317'-9" = 39317'-9"
 39417'-1" = 39417'-1"
 39517'-3" = 39517'-3"
 39617'-5" = 39617'-5"
 39717'-7" = 39717'-7"
 39817'-9" = 39817'-9"
 39917'-1" = 39917'-1"
 40017'-3" = 40017'-3"
 40117'-5" = 40117'-5"
 40217'-7" = 40217'-7"
 40317'-9" = 40317'-9"
 40417'-1" = 40417'-1"
 40517'-3" = 40517'-3"
 40617'-5" = 40617'-5"
 40717'-7" = 40717'-7"
 40817'-9" = 40817'-9"
 40917'-1" = 40917'-1"
 41017'-3" = 41017'-3"
 41117'-5" = 41117'-5"
 41217'-7" = 41217'-7"
 41317