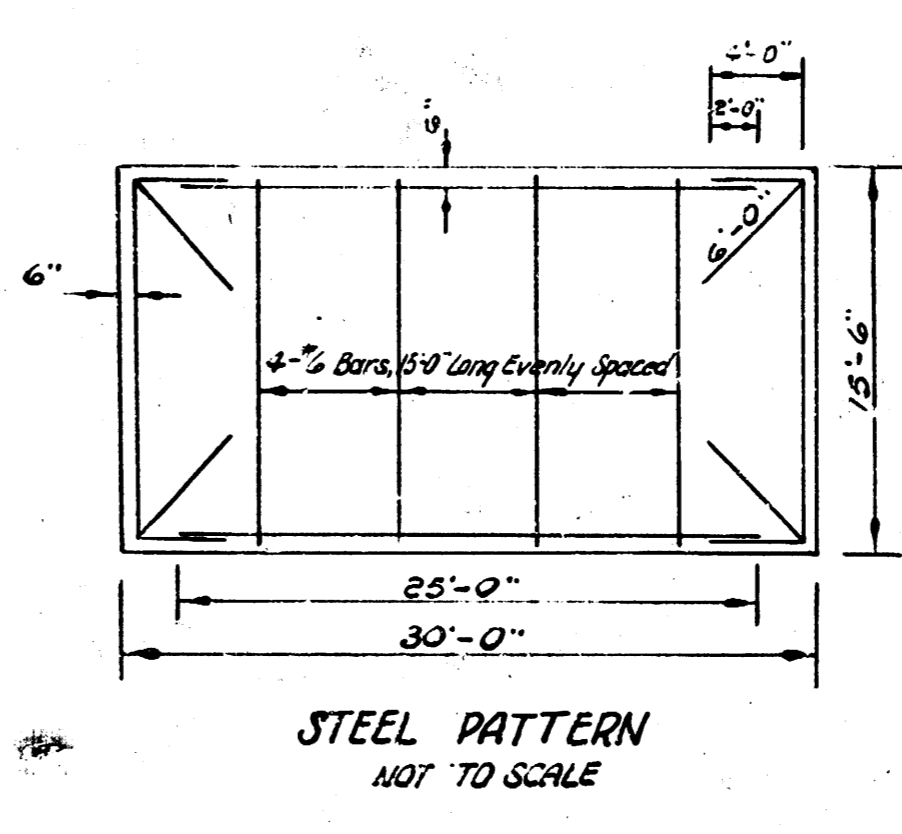
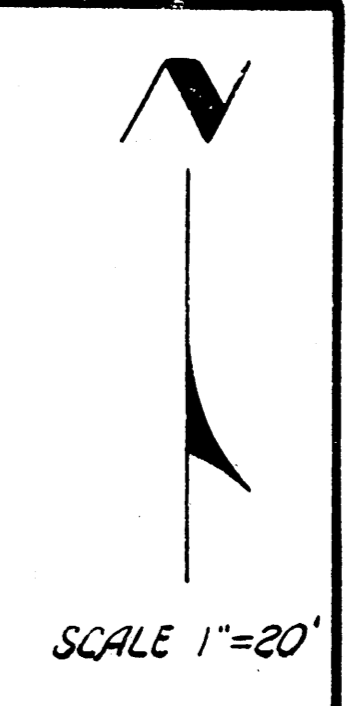
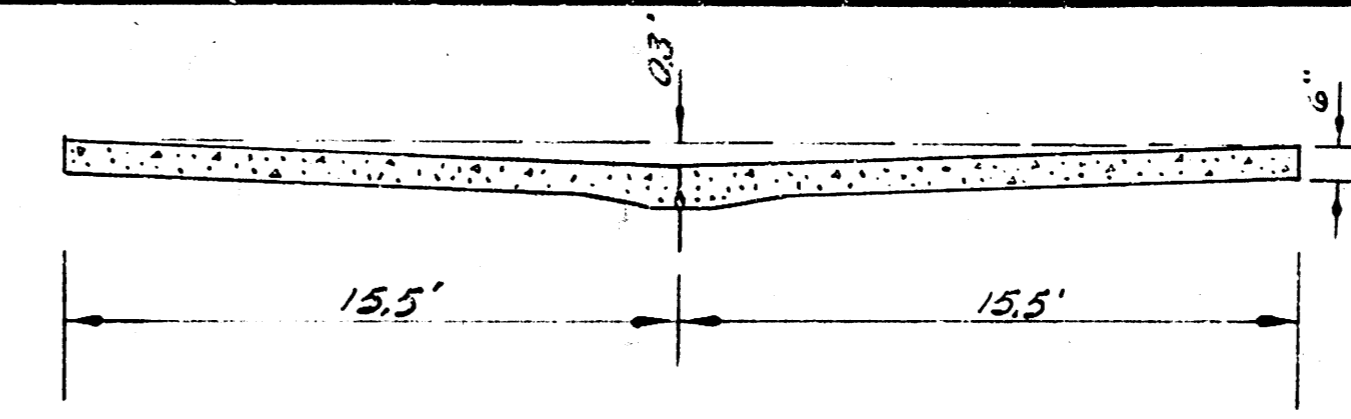
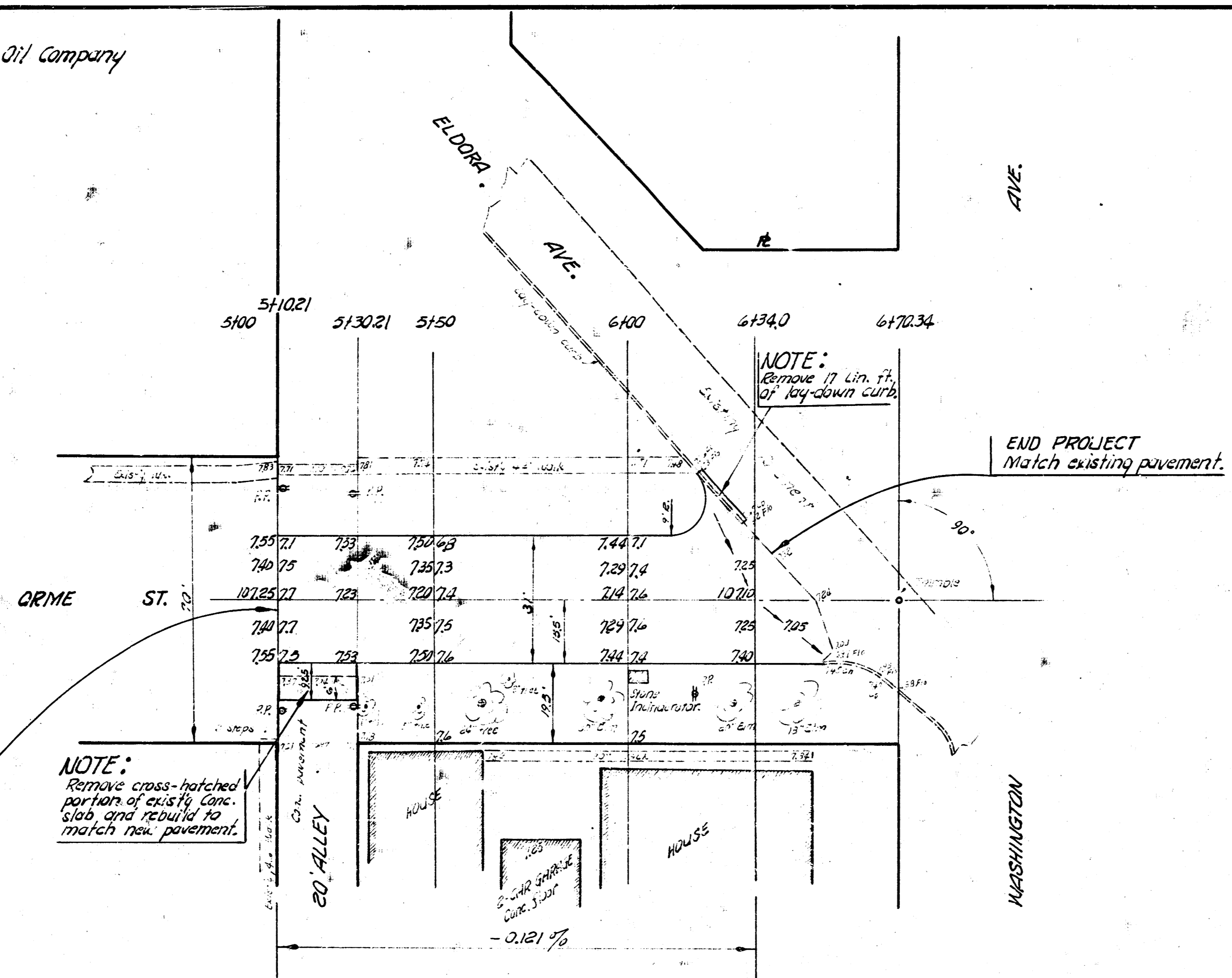
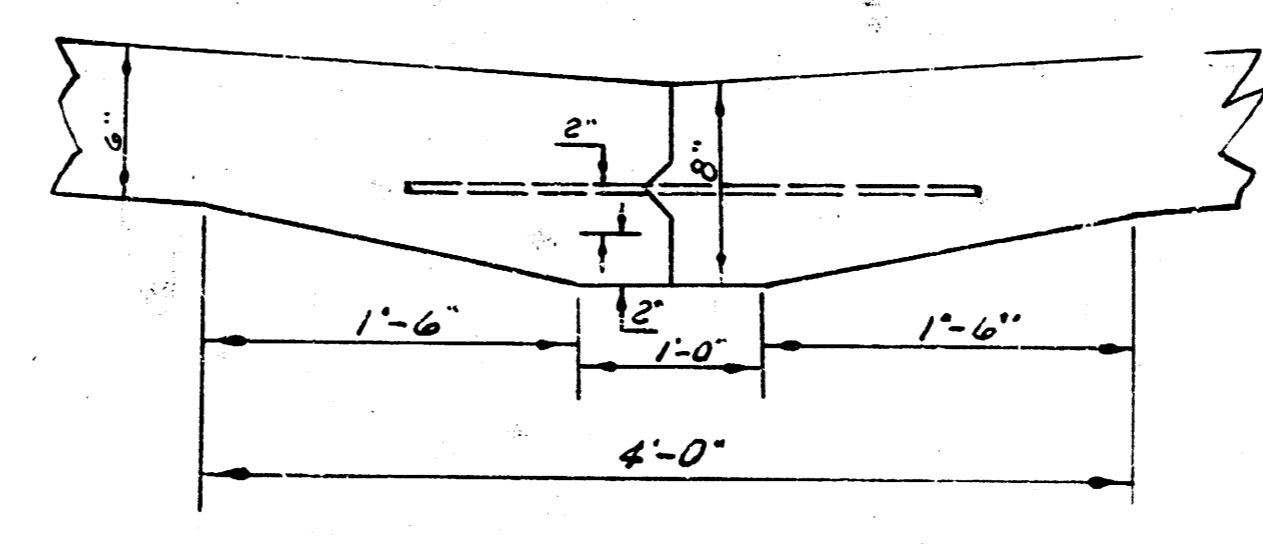


B. M. 109.35 NE cor. Lower Conc. step East Ent. to Skelly Oil Company  
Bldg. 1/2 Blk. West of Washington.

Stationing on E. of Orme St.



**NOTE TO CONTRACTOR**  
This project will be constructed under the supervision of the CITY ENGINEER and conforming to the SPECIFICATIONS of the CITY OF WICHITA, KANS. The CONTRACTOR shall be responsible for the layout of the work and shall be held liable for any errors or omissions.



**ORME ST.**  
W. ALLEY W. OF WASHINGTON to W. EL DORA  
31' CONC.  
CITY OF WICHITA, KANS.  
B. E. SMITH - CITY ENGINEER  
AUG. 1957 PRIVATE CONTRACT



Survey G. Y. Bl. 7437  
Plan 1, 2, 3, 4, 5, 6, 7, 8, 9, 10, 11, 12, 13, 14, 15, 16, 17, 18, 19, 20, 21, 22, 23, 24, 25, 26, 27, 28, 29, 30, 31, 32, 33, 34, 35, 36, 37, 38, 39, 40, 41, 42, 43, 44, 45, 46, 47, 48, 49, 50, 51, 52, 53, 54, 55, 56, 57, 58, 59, 60, 61, 62, 63, 64, 65, 66, 67, 68, 69, 70, 71, 72, 73, 74, 75, 76, 77, 78, 79, 80, 81, 82, 83, 84, 85, 86, 87, 88, 89, 90, 91, 92, 93, 94, 95, 96, 97, 98, 99, 100