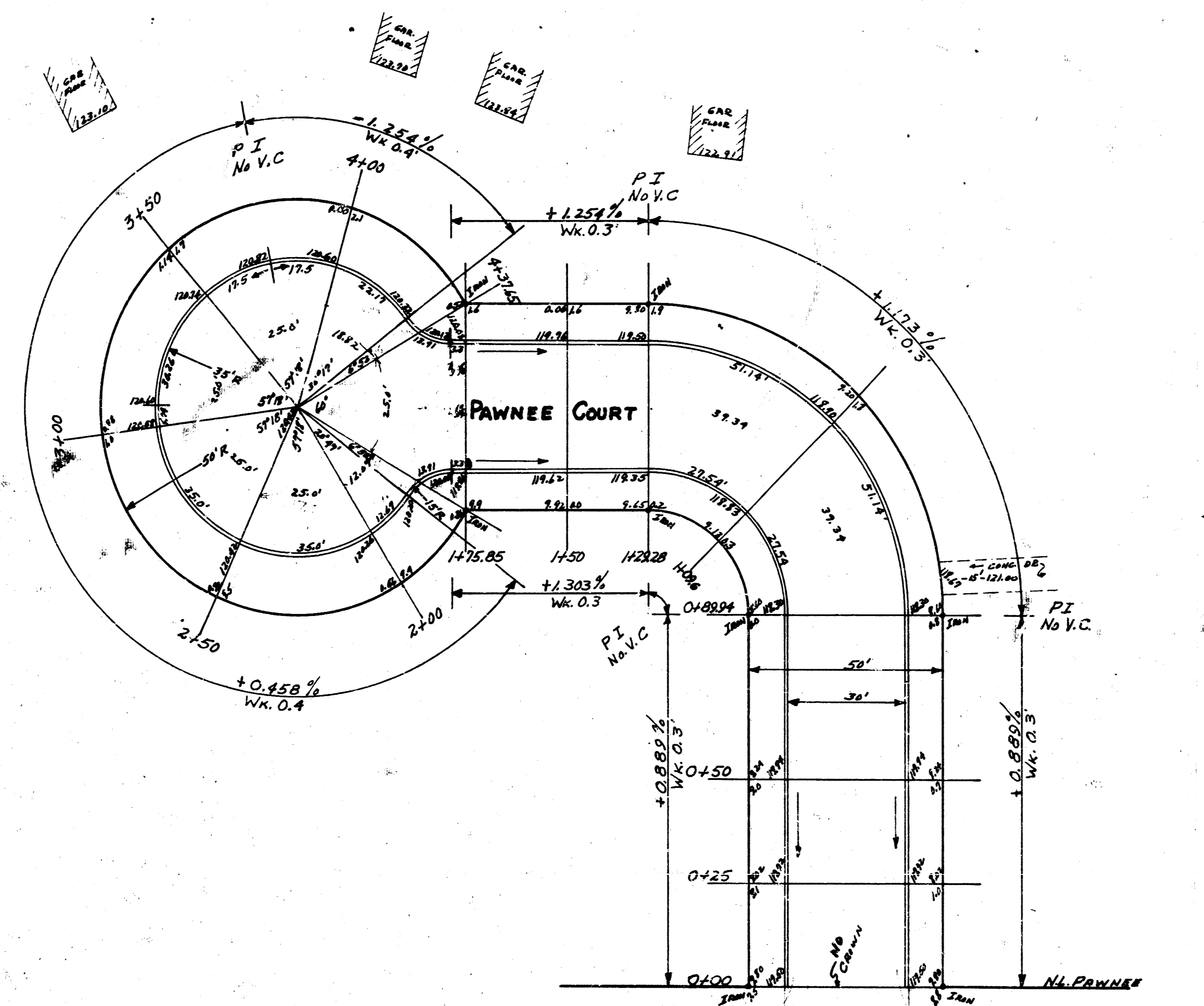


BM #1 116.14 "x" ON CENTER W. CORING CONC. CURV. S.S. OF PAWNEE W.L. ROSEBERRY LANE
 BM #2 121.00 "x" ON S.S. CONC. DR. 1ST HOUSE N. OF PAWNEE AVE 15' E OF E.L. PAWNEE COURT
 STATION ON W. PROP LINE & SOUTH PROP LINE TO BEG. OF CIRCLE THEN
 CLOCK WISE AROUND CIRCLE ON PAW LINE TILL COMPLETION OF CIRCLE

Checked
 E.L. 5/2/54
 B.E. SMITH



NOTE TO FIELD ENGR: STREET DEPT. TO
 CUT OFF & PLUG EXISTING WOOD CURB
 INSTALL 40" - 18" E.C.P. W/ OPEN ACCESS HOODUP
 INSTALL DOUNCE 40" - 18" E.C.P. ACCESS
 PAWNEE 15' WEST OF W.L. PAWNEE COURT

PROPERTY
 1963.0
 116.14 146.3
 1169.3 Cu. Yds CUT

CITY

STATION	ELEVATION	STATION	ELEVATION
0-19	25	1124	29
0-26	57	1125	57
0-34	24	1124	24
0-39	24	1124	24



PAWNEE COURT
 N.L. PAWNEE NORTH
 30' CONC & C.B.
 CITY OF WICHITA KAN
 B.E. SMITH CITY ENGINEER
 AUG. 1954 PROJ. NO. C14-199