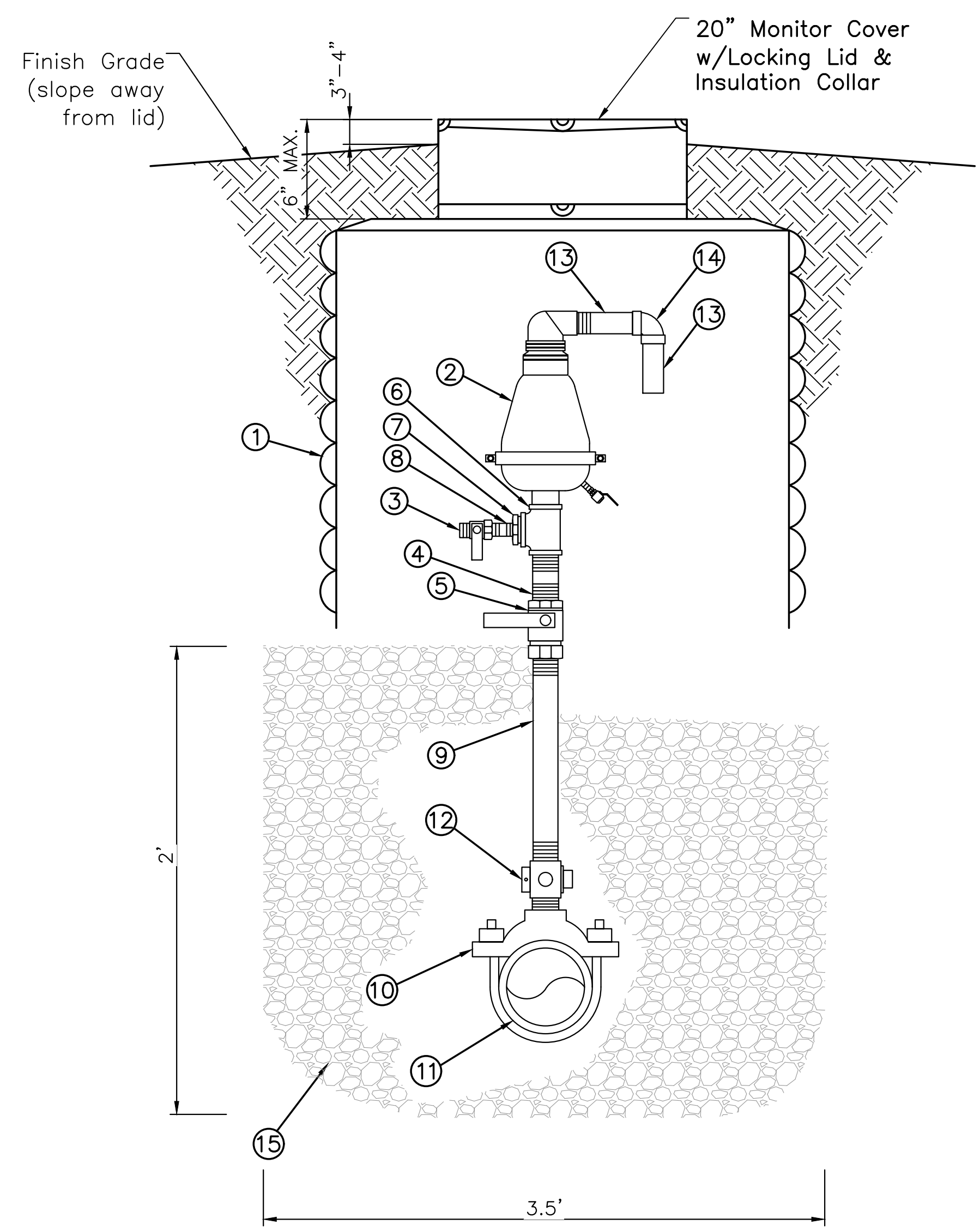


PLOTTED: Monday, July 26, 2020 @ 09:00AM

J:\PROJECTS\2020\121010875_COV_WW_EXT_FOR_VIA_CHRISTI_ST_THER (US)00_210875\CADD\SHS\WG_CIVIL\WTRC1675-AS-3103.DWG



2" COMBINATION AIR/VACUUM RELEASE VALVE ASSEMBLY

SCALE: NTS

MATERIALS LIST	
ITEM NO	SIZE AND DESCRIPTION
1	36" dia-2000 PVC Drainage Pipe (36" long)
2	Combination Air Valve 2" NPT
3	1" Curb Stop
4	2"x4" Nipple
5	2" Ball Valve
6	2" Tee
7	2"x1" Reducer
8	1" Short Nipple
9	2" Copper Pipe (length varies)
10	Main Size x 2" Service Saddle
11	Waterline Pipe
12	2" Brass Corporation Stop
13	1-1/2" Pipe, PVC, length as required
14	1-1/2" 90° Elbow, PVC
15	Pea Gravel (3.5' x 2' deep)

* All fitting to be brass.



WATER EXTENSION PLANS FOR
ASCENSION VIA CHRISTI ST TERESA
WICHITA, KS

AIR RELEASE VALVE ASSEMBLY
DETAIL

PROJECT NO.
448-2020-033964

SCALE
NTS

DRAWN	DESIGNED	CHECKED
HHK	AJK	AJK

0	ISSUED FOR CONSTRUCTION	07/28/20
NO.	REVISION	DATE

SHEET NO.
CU104-W
04 OF 24

©2020 MKEC ENGINEERING, INC. ALL RIGHTS RESERVED WWW.MKEC.COM THESE DRAWINGS AND THEIR CONTENTS, INCLUDING, BUT NOT LIMITED TO, ALL CONCEPTS, DESIGNS & DETAILS ARE THE EXCLUSIVE PROPERTY OF MKEC ENGINEERING, INC. (MKEC), AND MAY NOT BE USED OR REPRODUCED IN ANY WAY WITHOUT THE EXPRESS CONSENT OF MKEC.