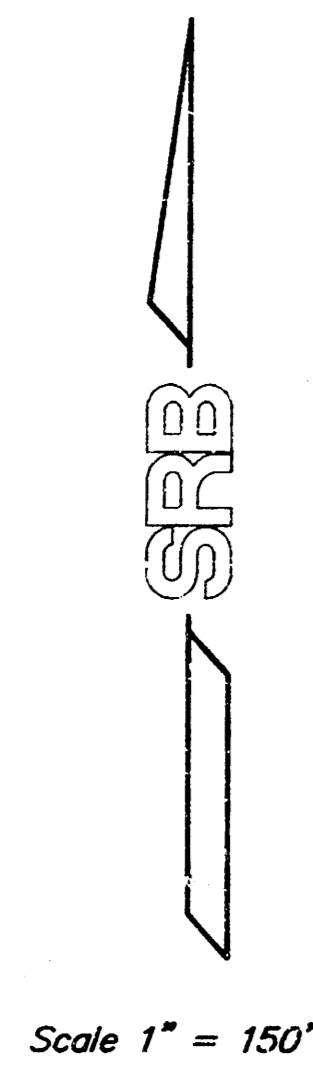
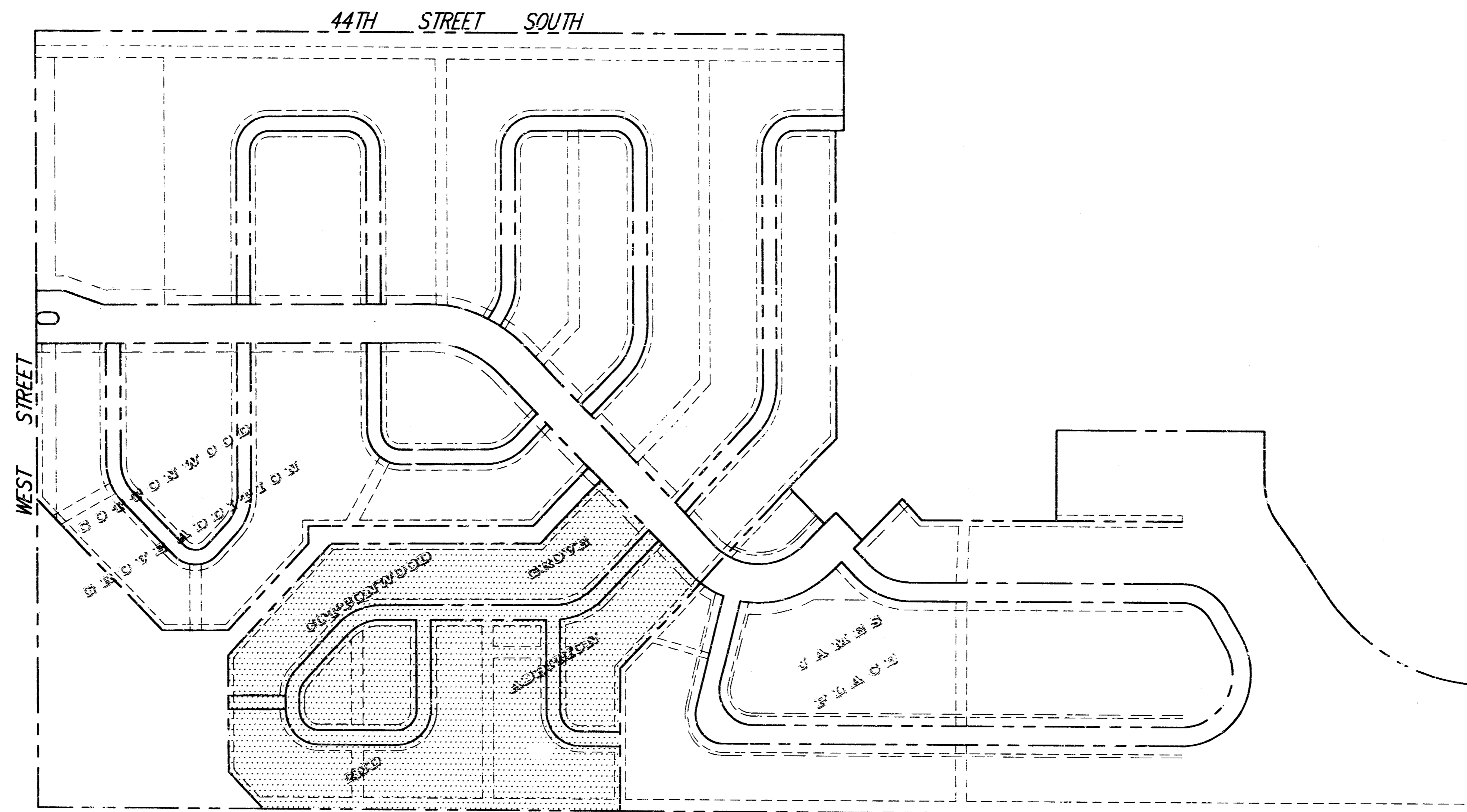
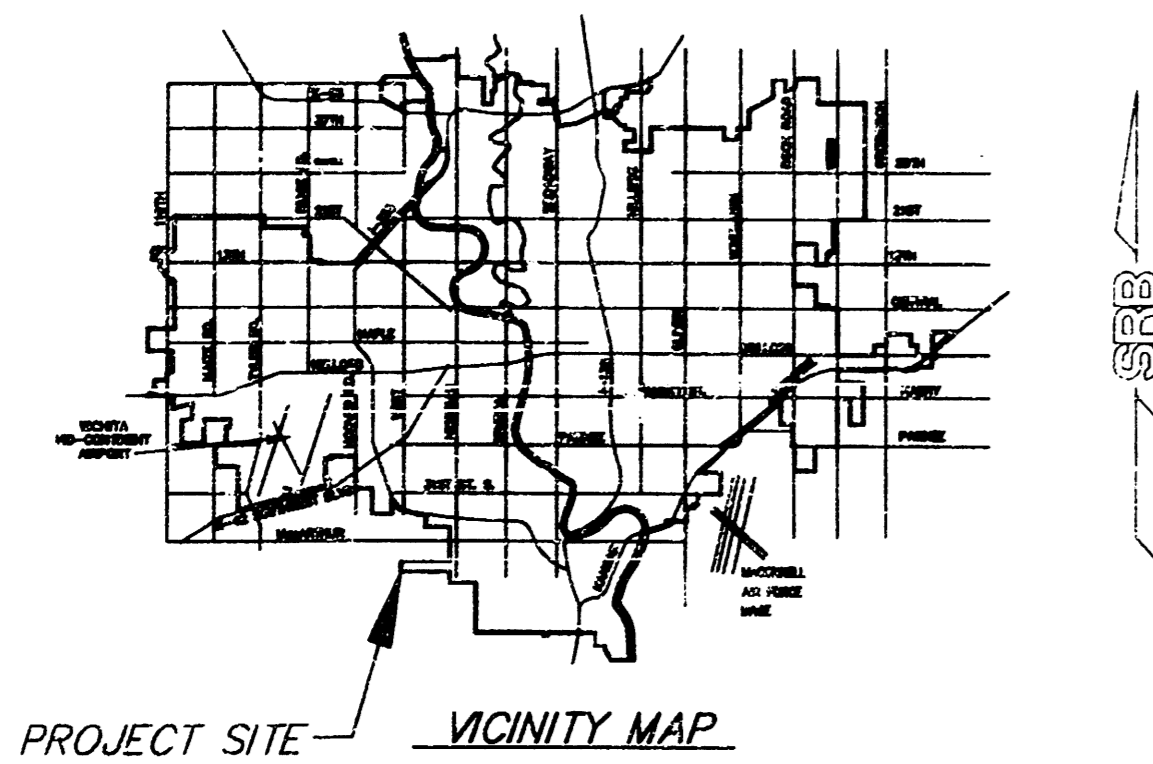


SITE DEVELOPMENT PLANS  
**COTTONWOOD GROVE 2ND ADDITION**  
 INCLUDING PRIVATE STORM SEWER #684 PPS (607861)



Scale 1" = 150'



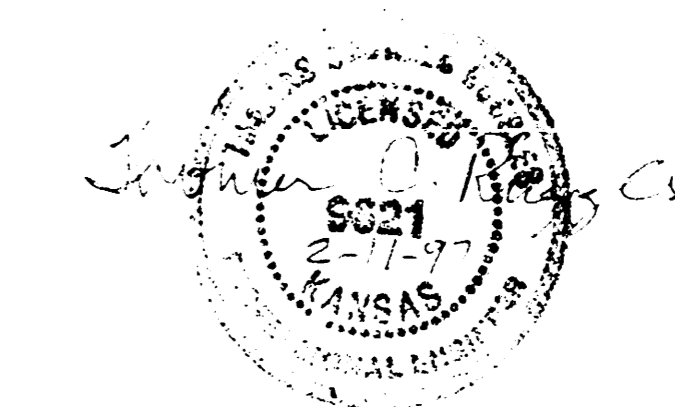
**INDEX OF SHEETS**

- |    |                              |
|----|------------------------------|
| 1. | TITLE SHEET                  |
| 2. | SITE PLAN                    |
| 3. | SITE UTILITIES PLAN          |
| 4. | SITE GRADING & PAVEMENT PLAN |
| 5. | STORM SEWER PLAN & DETAILS   |
| 6. | SITE DETAILS                 |

BOOKED  
 3-9-98  
 MCB  
 D-385

**BENCH MARKS**

- \* CUT ON TOP OF S. CURB 44TH ST. S.
- E. END OF CURVE ON N. SIDE OF LOT 3, BLOCK 2, COTTONWOOD GROVE ADDITION; ELEV. 95.40
- \* CUT ON TOP OF HUBGUARD
- CENTER OF E. GUARDRAIL OF ROBC ON WEST ST. S. OF 44TH ST.; ELEV. 94.19



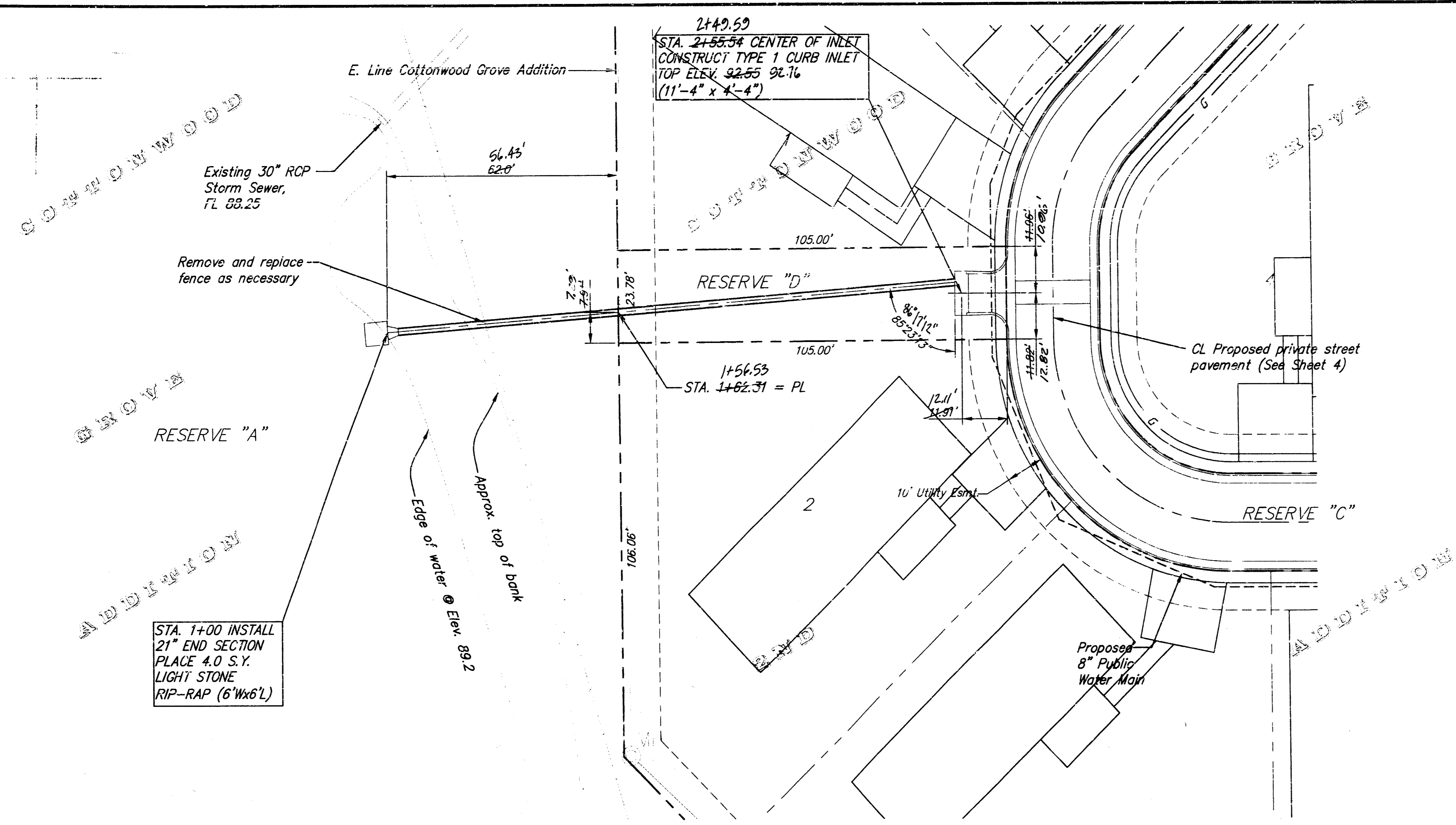
"AS BUILT" 5-21-97 TEB

**SRB** 924 NORTH MAIN 316-264-8008  
 WICHITA, KANSAS 67203 FAX 264-4621  
**SAVOY, RUGGLES & BOHM, P. A.**  
 ENGINEERING & SURVEYING









**GENERAL NOTES**

1. All work on this project shall conform to the Standard Specifications for Storm Sewer Construction of the City of Wichita.
2. Locating dimensions are to center of new inlet box.
3. All off site areas which may be disturbed by Contractors operation shall be restored in accordance with City of Wichita Administrative Regulation AR-7B.
4. The Contractor shall notify Kansas One-Call (687-2470) a minimum of 48 hours prior to any excavation.
5. Traffic will not be affected by construction of this project.

**RUNOFF CALCULATIONS:**

D.A. = 7.3 Acres  
 C<sub>1</sub> = 0.60  
 I<sub>2</sub> = 3.83"/hr.  
 Q<sub>2</sub> = 16.8 cfs

T<sub>c</sub> = 15 Min.  
 C<sub>100</sub> = 0.65  
 I<sub>100</sub> = 7.37"/hr.  
 Q<sub>100</sub> = 35.0 cfs

Scale: PLAN  
 1" = 20'  
 PROFILE  
 1" = 4' Horiz.  
 1" = 5' Vert.

**BENCH MARKS**

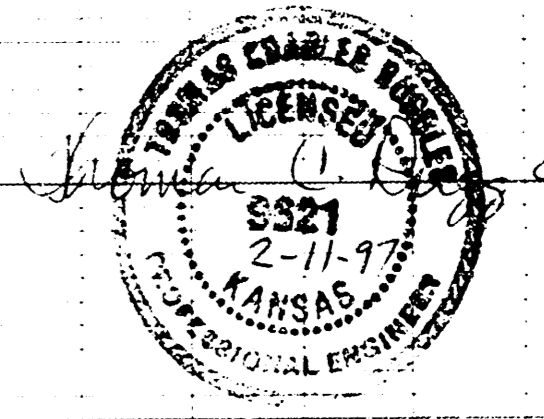
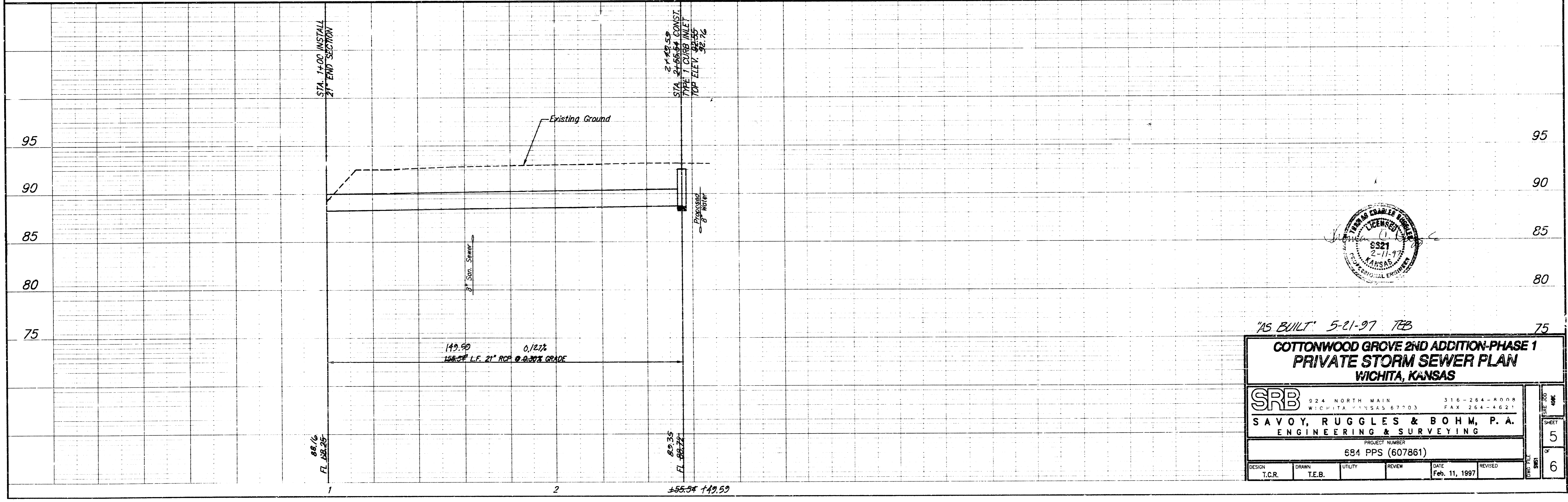
- CUT ON TOP OF S. CURB 44TH ST. S.
- ⊙ E. END OF CURVE ON N. SIDE OF LOT 3, BLOCK 2, COTTONWOOD GROVE ADDITION; ELEV. 95.40
- CUT ON TOP OF HUBGUARD
- ⊙ CENTER OF E. GUARDRAIL OF RCB ON WEST ST. S. OF 44TH ST.; ELEV. 94.19

APPROVED AS NOTED BY CITY ENGINEER OF WICHITA

Sanitary Sewers \_\_\_\_\_  
 Storm Sewers \_\_\_\_\_  
 Driveway Approaches \_\_\_\_\_  
 Water Mains \_\_\_\_\_  
 Paving \_\_\_\_\_

NOTE TO CONTRACTORS  
 Inspection and testing for this project are to be provided by a Licensed Consulting Engineer, Firm under contract with the Owner/Developer. Said inspection to be in accordance with the City of Wichita standard construction engineering practices and certified by a Licensed Professional Engineer. No work shall be performed in dedicated easements or public right-of-way by the Contractor without such inspection, nor shall any work be commenced without written authorization by the City Engineer.

F:\ACTIVE PROJECTS\170M BROOKS\ARBE (COTTONWOOD GROVE 2ND SITE)\S61 Tue Feb 11 10:36:28 1997 TEB



"AS BUILT" 5-21-97 TEB

**COTTONWOOD GROVE 2ND ADDITION-PHASE 1 PRIVATE STORM SEWER PLAN WICHITA, KANSAS**

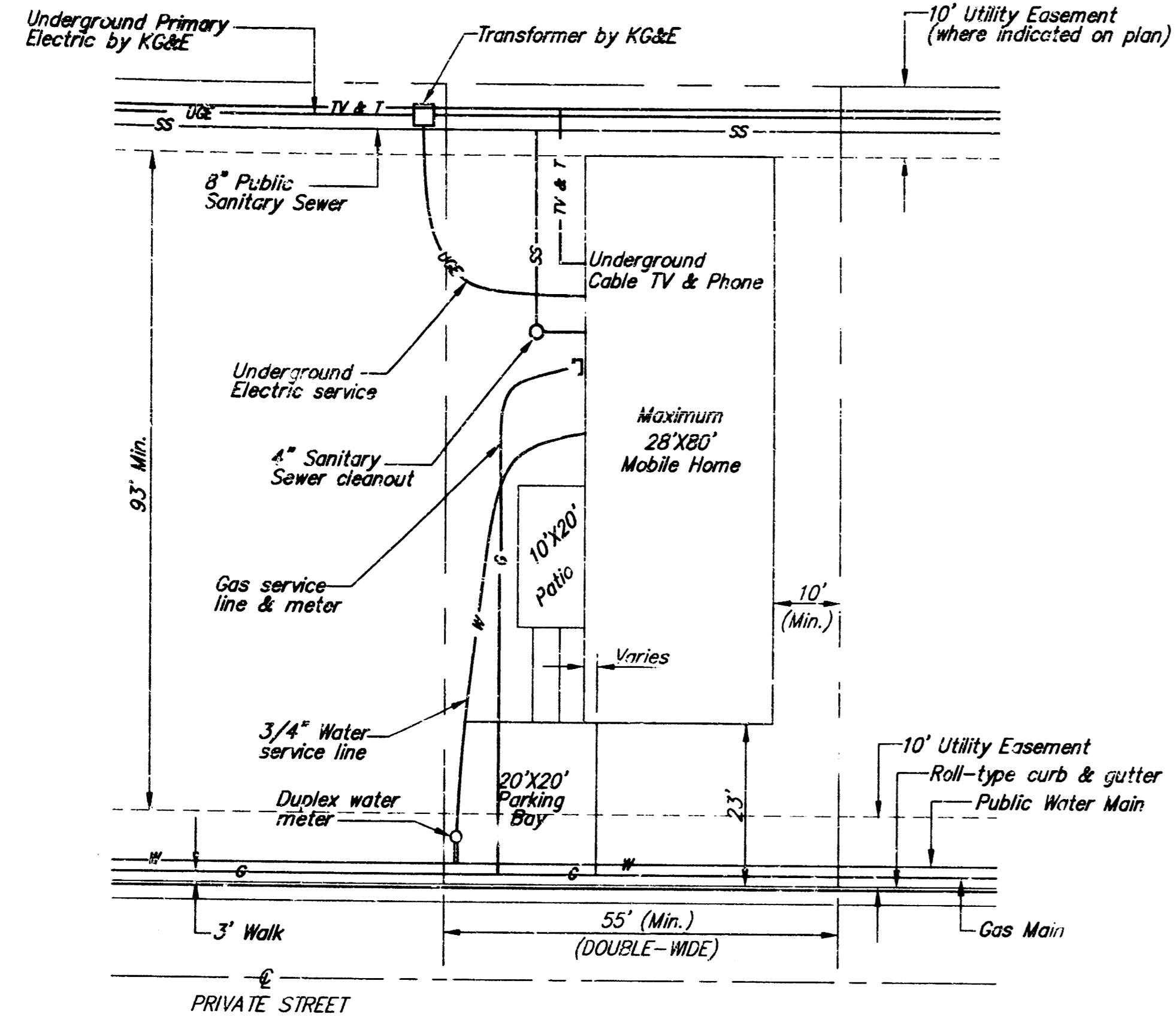
**SRB** 924 NORTH MAIN WICHITA, KANSAS 67203 316-264-8008 FAX 264-4621

**SAVOY, RUGGLES & BOHM, P.A. ENGINEERING & SURVEYING**

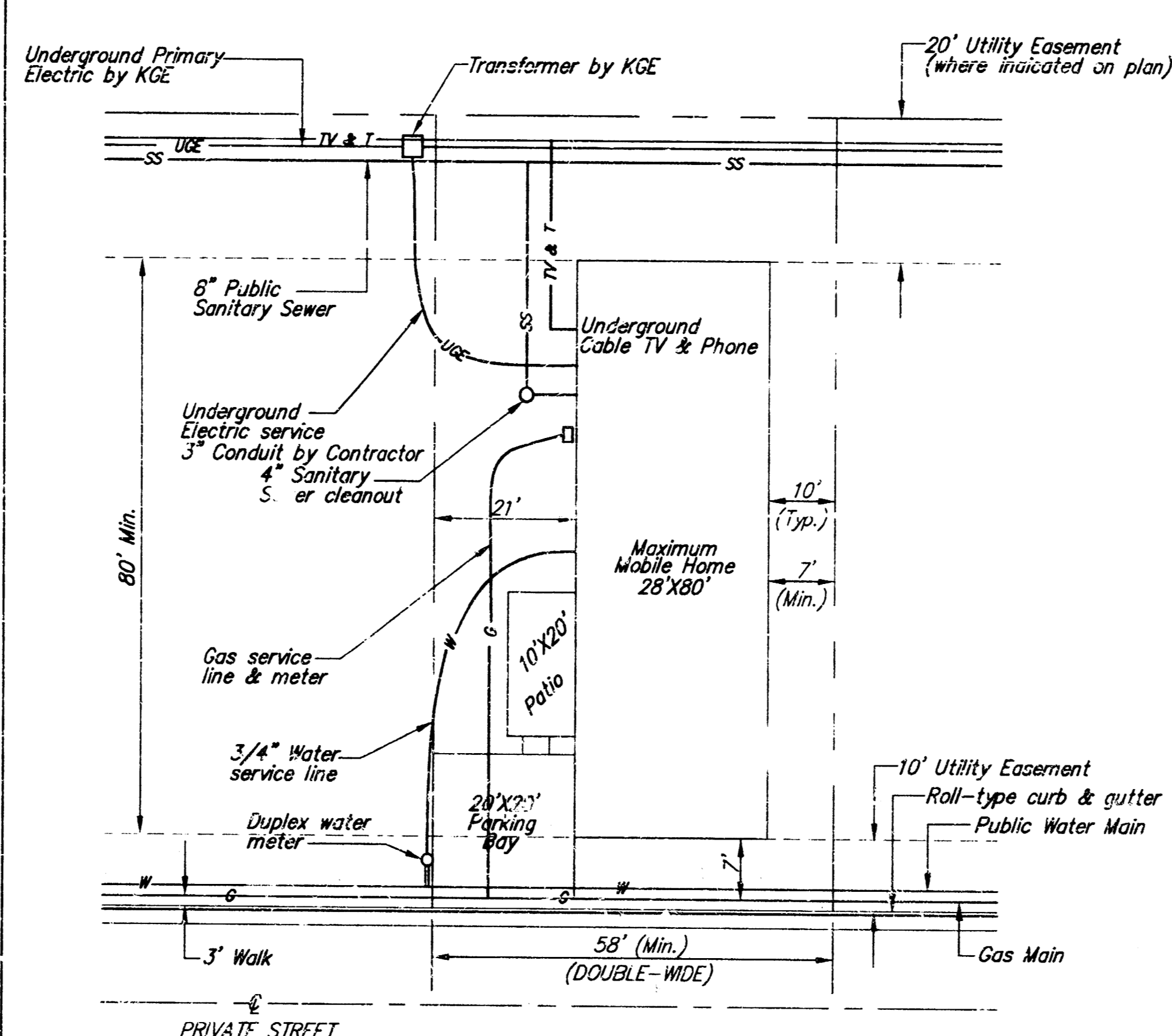
PROJECT NUMBER: 684 PPS (607861)

|        |        |       |        |         |        |      |               |         |
|--------|--------|-------|--------|---------|--------|------|---------------|---------|
| DESIGN | T.C.R. | DRAWN | T.E.B. | UTILITY | REVIEW | DATE | Feb. 11, 1997 | REVISED |
|--------|--------|-------|--------|---------|--------|------|---------------|---------|

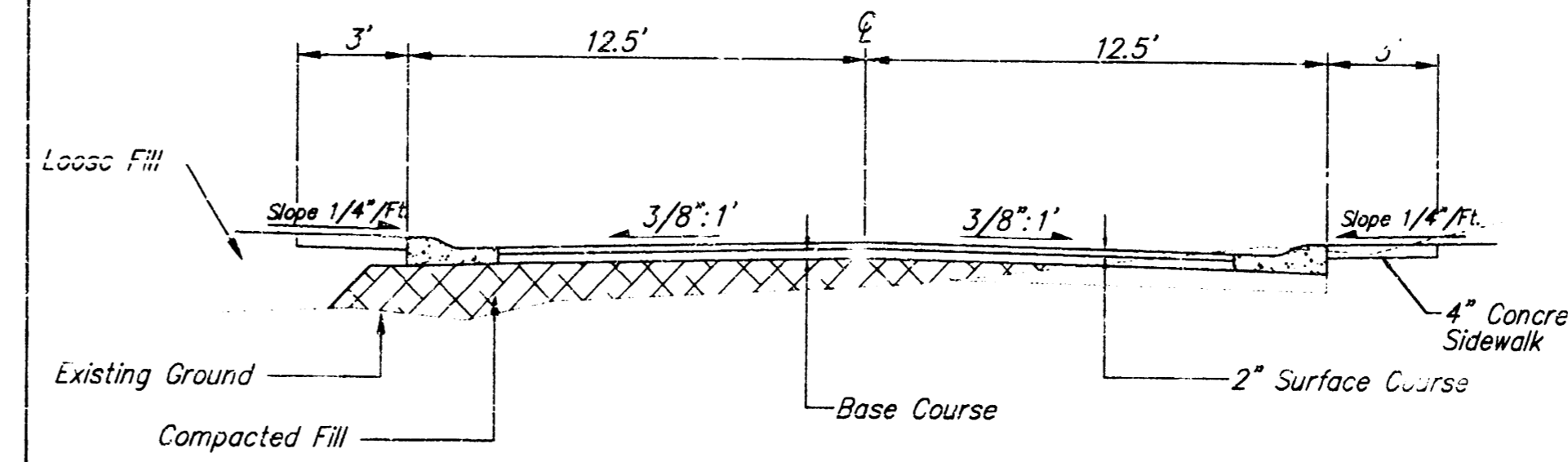
SHEET 5 OF 6



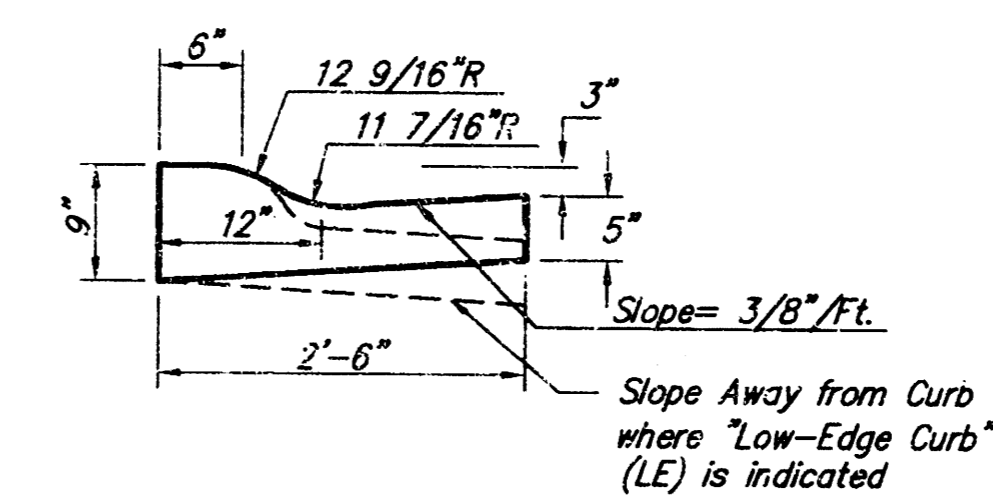
ALTERNATE MOBILE HOME LAYOUT



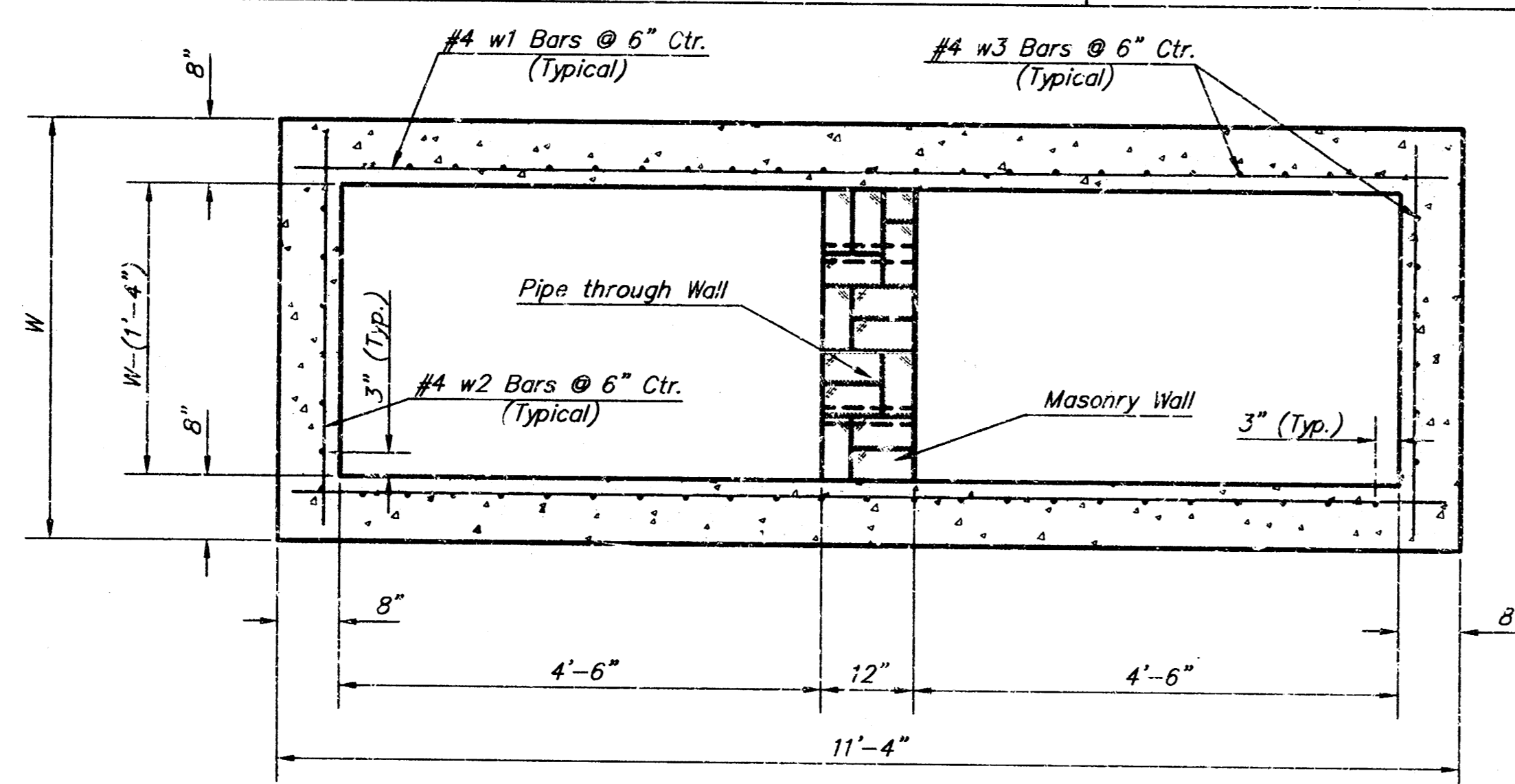
ALTERNATE MOBILE HOME LAYOUT



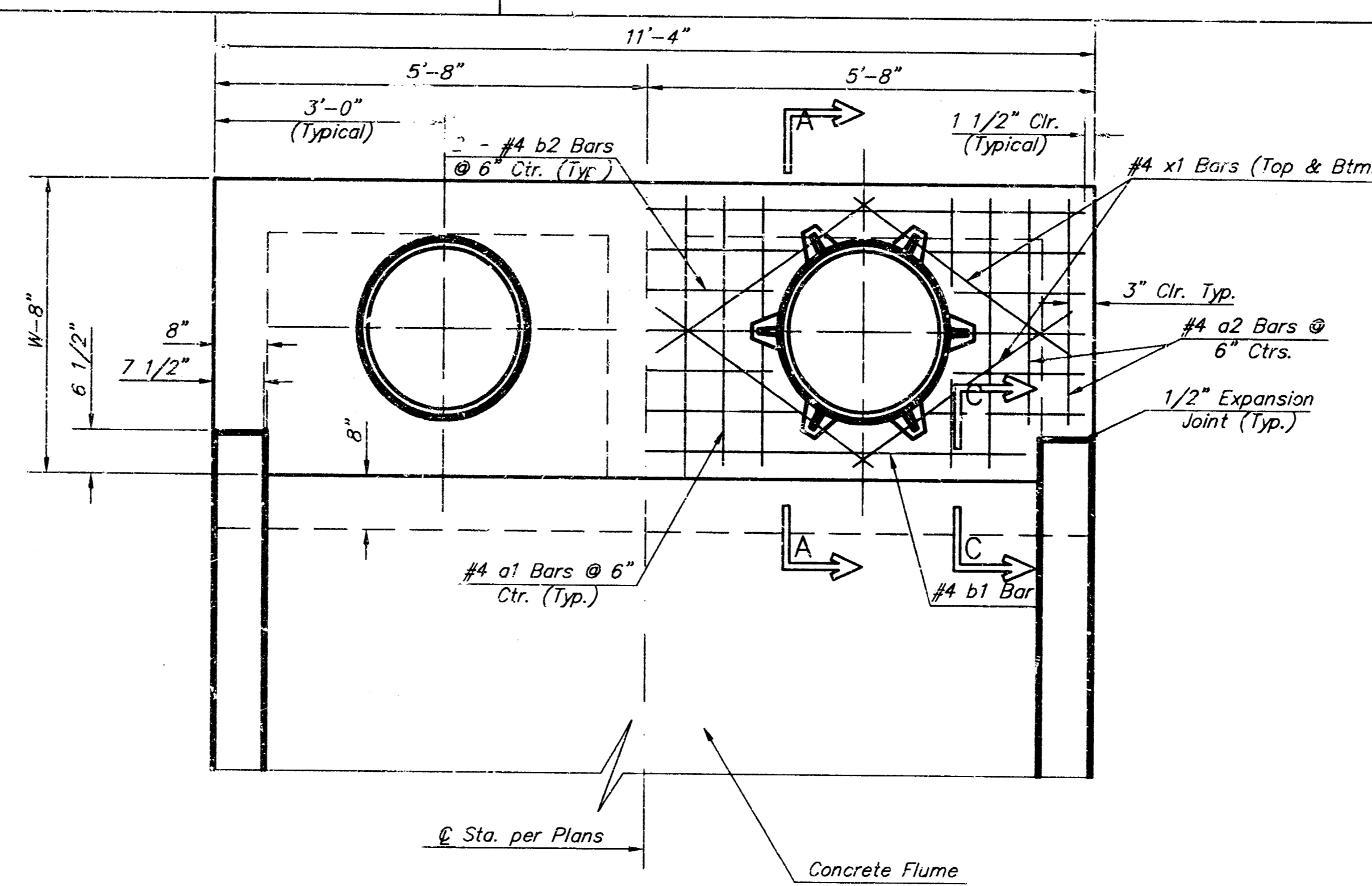
TYPICAL PAVEMENT SECTION



COMBINED ROLL TYPE CURB & GUTTER (3 5/8")

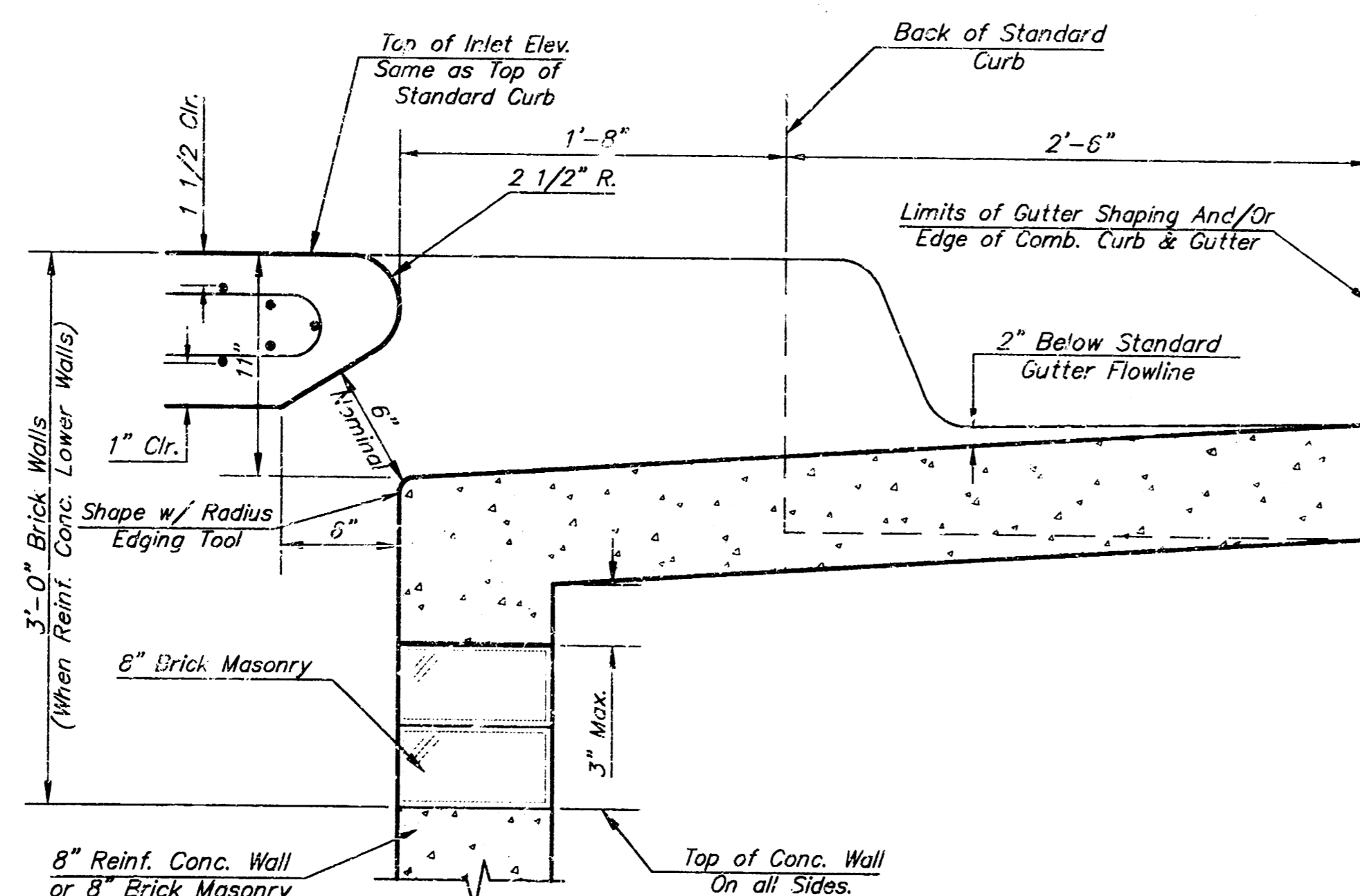


SECTION B-B

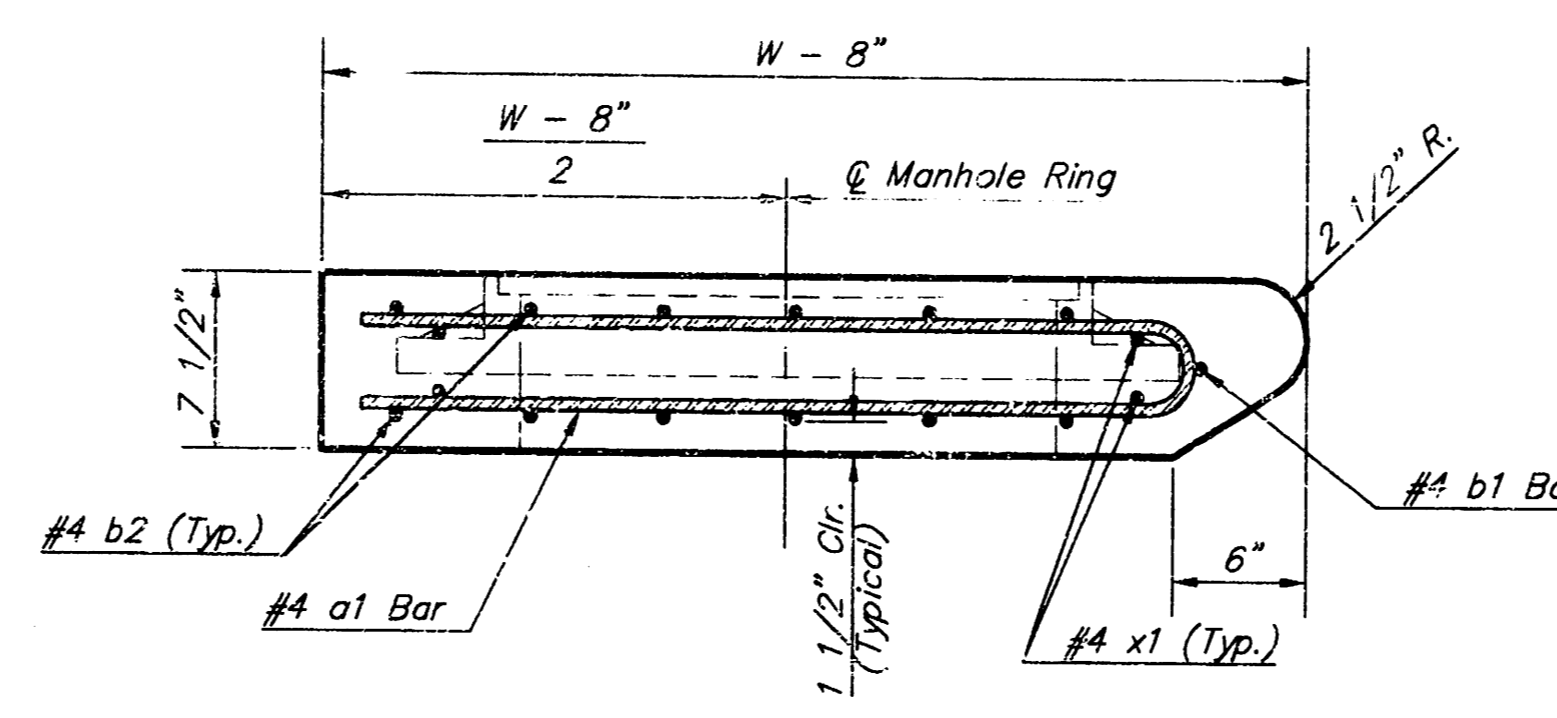


PLAN

\*Left Side Shown Without Slab Reinforcing, Right Side Shown With Slab Reinforcing



SECTION C-C



SECTION A-A

GENERAL NOTES:

1. The contractor shall be required to construct 8" brick masonry walls between the concrete inlet base and top on this inlet when  $W=6'-4"$  or less and  $H=7'-0"$  or less. When  $W$  is greater than  $6'-4"$  and  $H$  is less than  $7'-0"$  the outside inlet walls below the brick stack shall be reinforced concrete construction and the center wall shall be of masonry construction as shown for the masonry wall option.
2. Inlet invert shall be shaped with 8 sack sand mix concrete to create flow channels and to increase hydraulic efficiency such that the inlet will be self cleaning between all inlet and/or outlet pipes.
3. Concrete tops to be installed on thin mortar cushion to insure full support along brick walls. Concrete tops may be cast in place or precast. Concrete used for inlet construction shall be concrete pavement mix.
4. Inlet top reinforcing shall be spaced on 6" max. centers. Inlet lifts shall be notched out as indicated to facilitate construction of curb. Bars in inlet top to be field bent or cut to clear manhole ring.
5. The ends of all pipes installed in inlets shall be cut off flush with the inside face of the inlet wall.

F:\ACTIVE PROJECTS\SYSTEM PROJ\ 1996 COTTONWOOD GROVE 2ND STREET DETAILS - UG Feb 11 10:41:03 1997 TEB

"AS BUILT" 5-21-97 TEB

**COTTONWOOD GROVE 2ND ADDITION - PHASE 1  
UTILITY & PAVEMENT DETAILS  
WICHITA, KANSAS**

|   |        |   |        |                              |         |
|---|--------|---|--------|------------------------------|---------|
| <b>SRB</b>  |        | 924 NORTH MAIN<br>WICHITA, KANSAS 67203 |        | 316-264-8008<br>FAX 264-4621 |         |
| SAVOY, RUGGLES & BOHM, P. A.<br>ENGINEERING & SURVEYING |        |   |        |                              |         |
| PROJECT NUMBER<br>SWS PROJ. #884 PPS (607861)           |        |   |        |                              |         |
| DESIGN  | DRAWN  | UTILITY                                 | REVIEW | DATE                         | REVISED |
| T.C.R.  | T.E.B. |   |        | Feb. 11, 1997                |         |
| SHEET   |        |   |        |                              | 6       |
| OF  |        |   |        |                              | 6       |