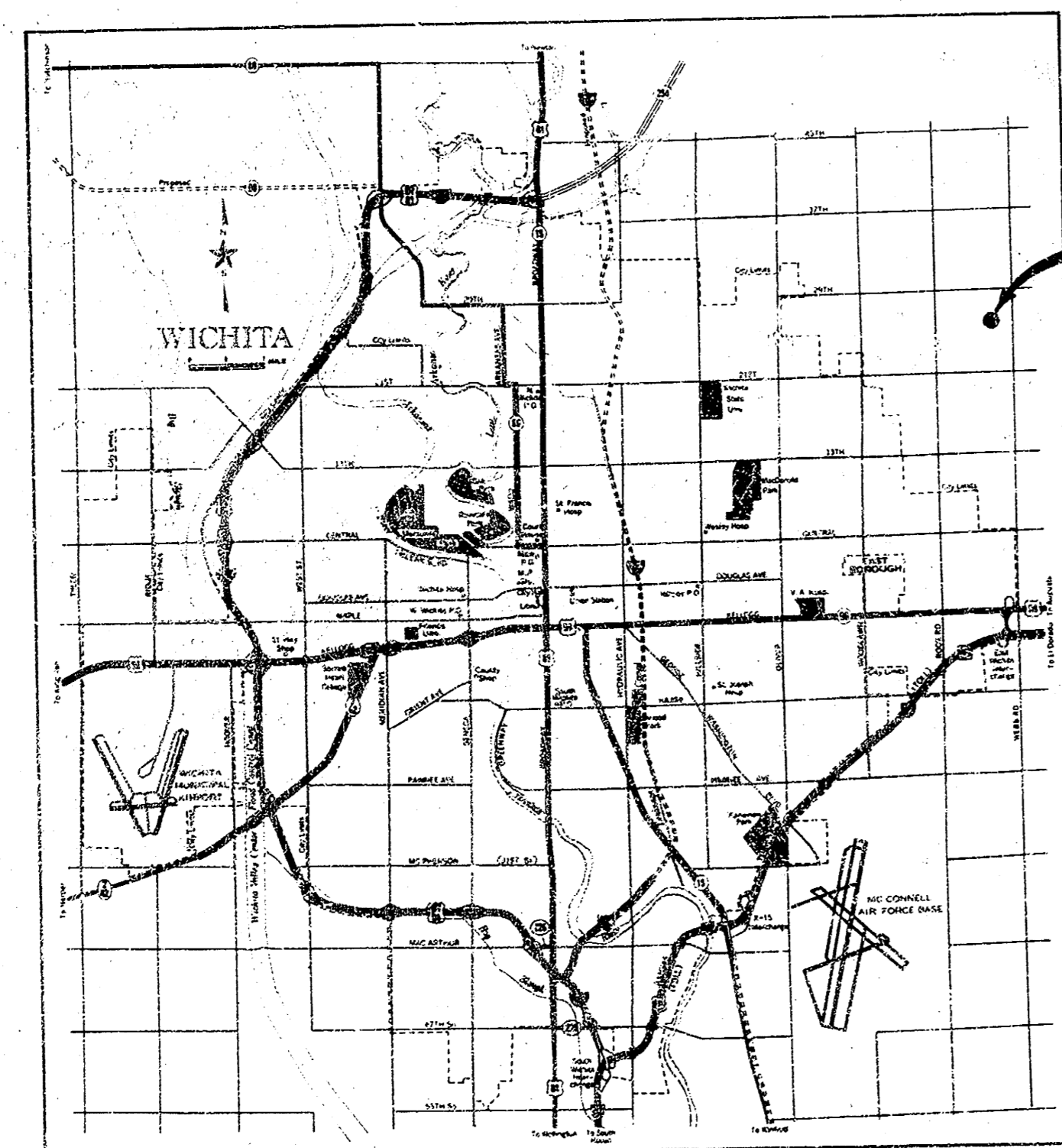


PROJECT NO. 468-76-245-81043-000-000-001
**WILDERNESS AND WOODSPRING
DETENTION RESERVOIRS**

IN
TALL GRASS

FOR THE CITY OF
WICHITA, KANSAS
R.W. BRUGGEMAN, CITY ENGINEER



LOCATION MAP

JULY 1980

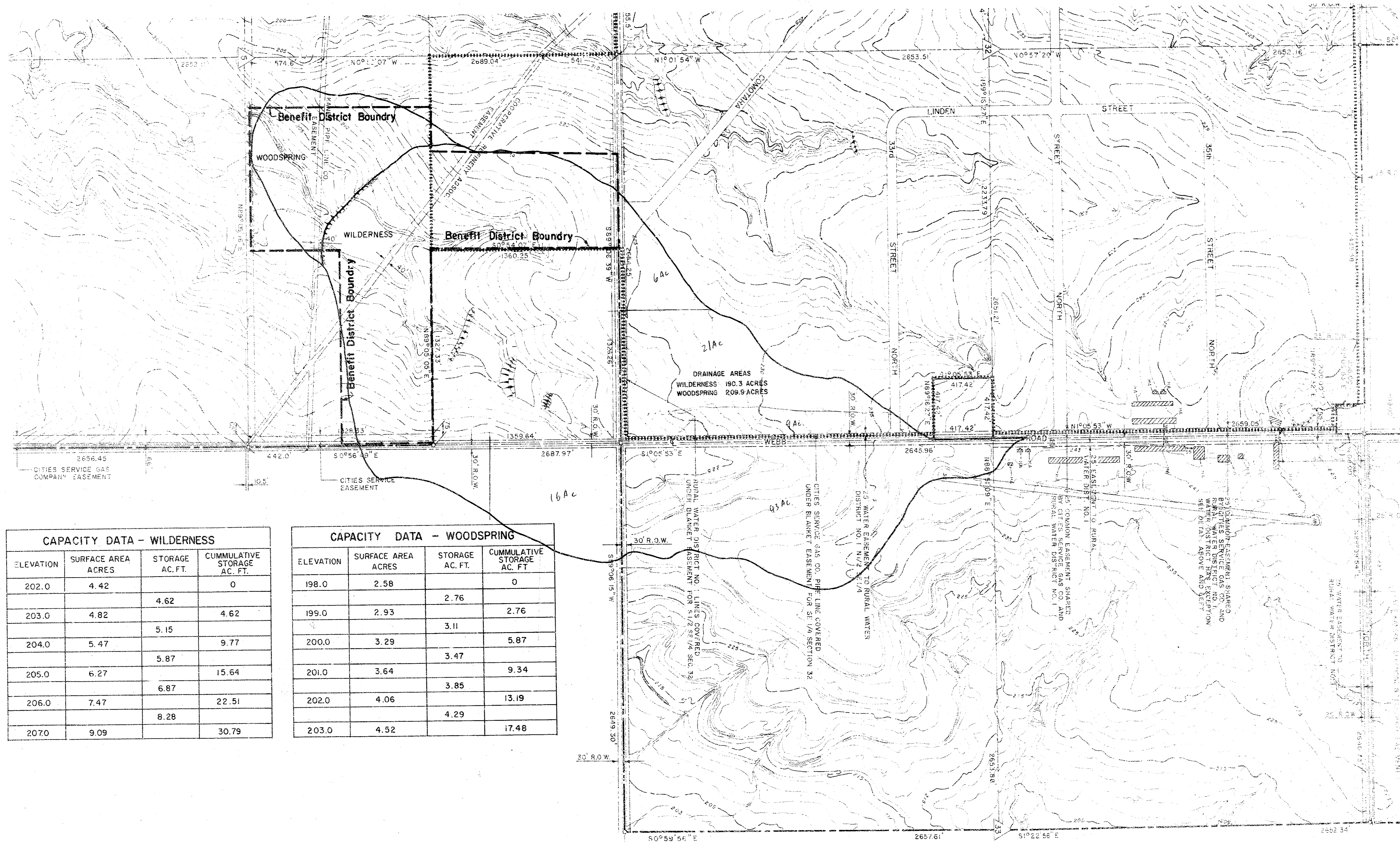
INDEX OF DRAWINGS

1. COVER SHEET
2. DRAINAGE AREA MAP
3. SITE PLAN
4. SITE PLAN
5. DETAILS

VAN DOREN-HAZARD-STALLINGS
ARCHITECTS-ENGINEERS-PLANNERS
WICHITA, KANSAS

Job No. 79-234-A0

Ronald A. Bruggeman



CAPACITY DATA - WILDERNESS

ELEVATION	SURFACE AREA ACRES	STORAGE AC. FT.	CUMULATIVE STORAGE AC. FT.
202.0	4.42		0
		4.62	
203.0	4.82		4.62
		5.15	
204.0	5.47		9.77
		5.87	
205.0	6.27		15.64
		6.87	
206.0	7.47		22.51
		8.28	
207.0	9.09		30.79

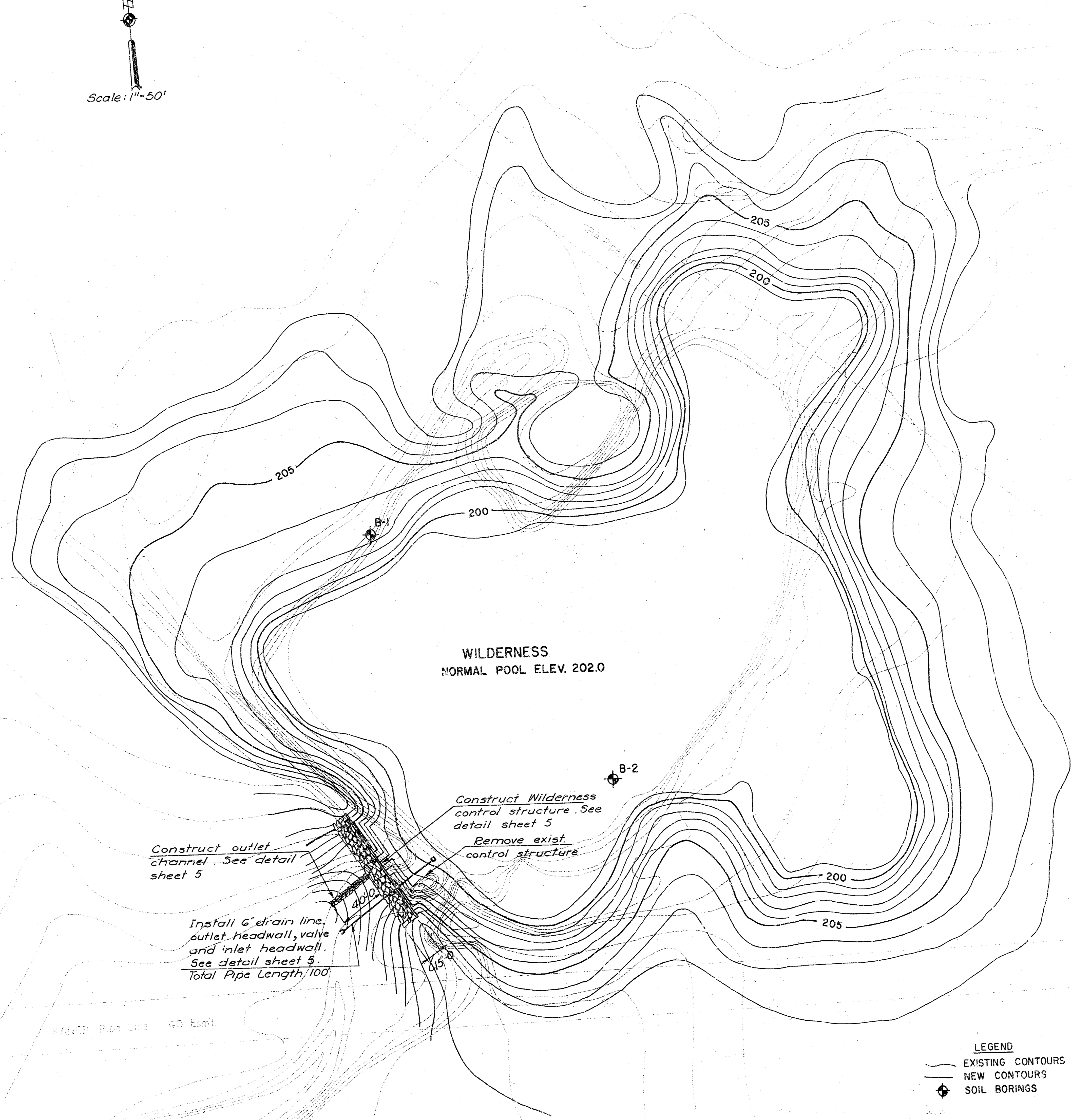
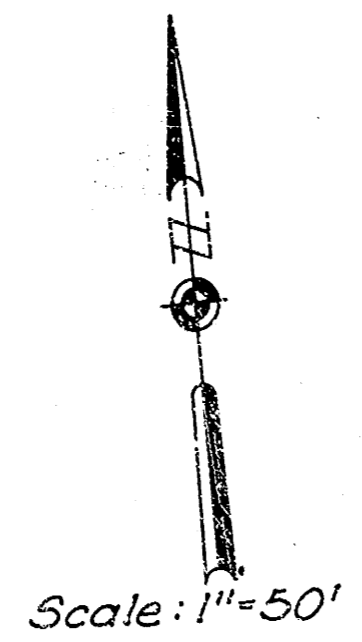
CAPACITY DATA - WOODSPRING

ELEVATION	SURFACE AREA ACRES	STORAGE AC. FT.	CUMULATIVE STORAGE AC. FT.
198.0	2.58		0
		2.76	
199.0	2.93		2.76
		3.11	
200.0	3.29		5.87
		3.47	
201.0	3.64		9.34
		3.85	
202.0	4.06		13.19
		4.29	
203.0	4.52		17.48

ESTIMATED QUANTITIES

ITEM NO.	DESCRIPTION	UNIT	AMOUNT
1.	6" DIP Drain Line	L.F.	210
2.	6" Valve, Valve Box & Anchor	Each	2
3.	Inlet Headwall	Each	2
4.	Outlet Headwall & Flapgate	Each	2
5.	Rip Rap	S.Y.	362
6.	Cast in Place Concrete	C.Y.	127.5
7.	Earthwork	By Others	
8.	Seeding & Fertilizing	By Others	

WILDERNESS AND WOODSPRING DETENTION RESERVOIRS WICHITA, KANSAS		Design: JWW Drawn by: LP Checked by: JWW Date: July 80 Job no: 79-234
DRAINAGE AREA MAP		Sheet 27 of 5
Van Doren - Hazard - Stallings Architects • Engineers • Planners Wichita • Minneapolis		



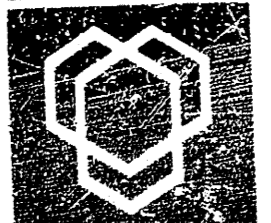
WILDERNESS
NORMAL POOL ELEV. 202.0

Construct outlet channel. See detail sheet 5

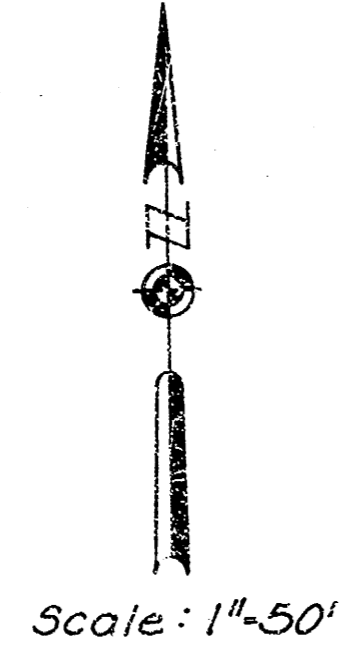
Construct Wilderness control structure. See detail sheet 5
Remove exist. control structure

Install 6" drain line, outlet headwall, valve and inlet headwall. See detail sheet 5. Total Pipe Length, 100'

SW CORNER NE 1/4 NE 1/4 N.391,433.99
SECTION 5, T-27-S, R-2-E. E.367,300.90
(STATE PLANE CO-ORDINATE SYSTEM)
C CONTROL STRUCTURE N.390,450
E.367,055
CONTROL STRUCTURE ORIENTED S.36°E.

WILDERNESS AND WOODSPRING DETENTION RESERVOIRS WICHITA, KANSAS		Design JWW
SITE PLAN		Drawn by DWS
		Checked by JWW
 Van Doren - Hazard - Stallings Architects • Engineers • Planners Topeka Wichita Minneapolis		Date July 80
		Job no 79-234
		Sheet 3 of 5

BENCH MARK:
60d Spike step in North face of power pole.
2nd pole East of center corner Section 5.
Elev. 204.07



WILDERNESS

Outline of Wilderness
Control Structure &
Outlet Channel

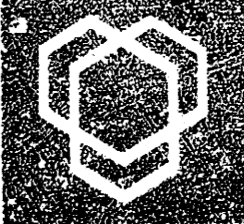
WOODSPRING
NORMAL POOL ELEV. 198.0

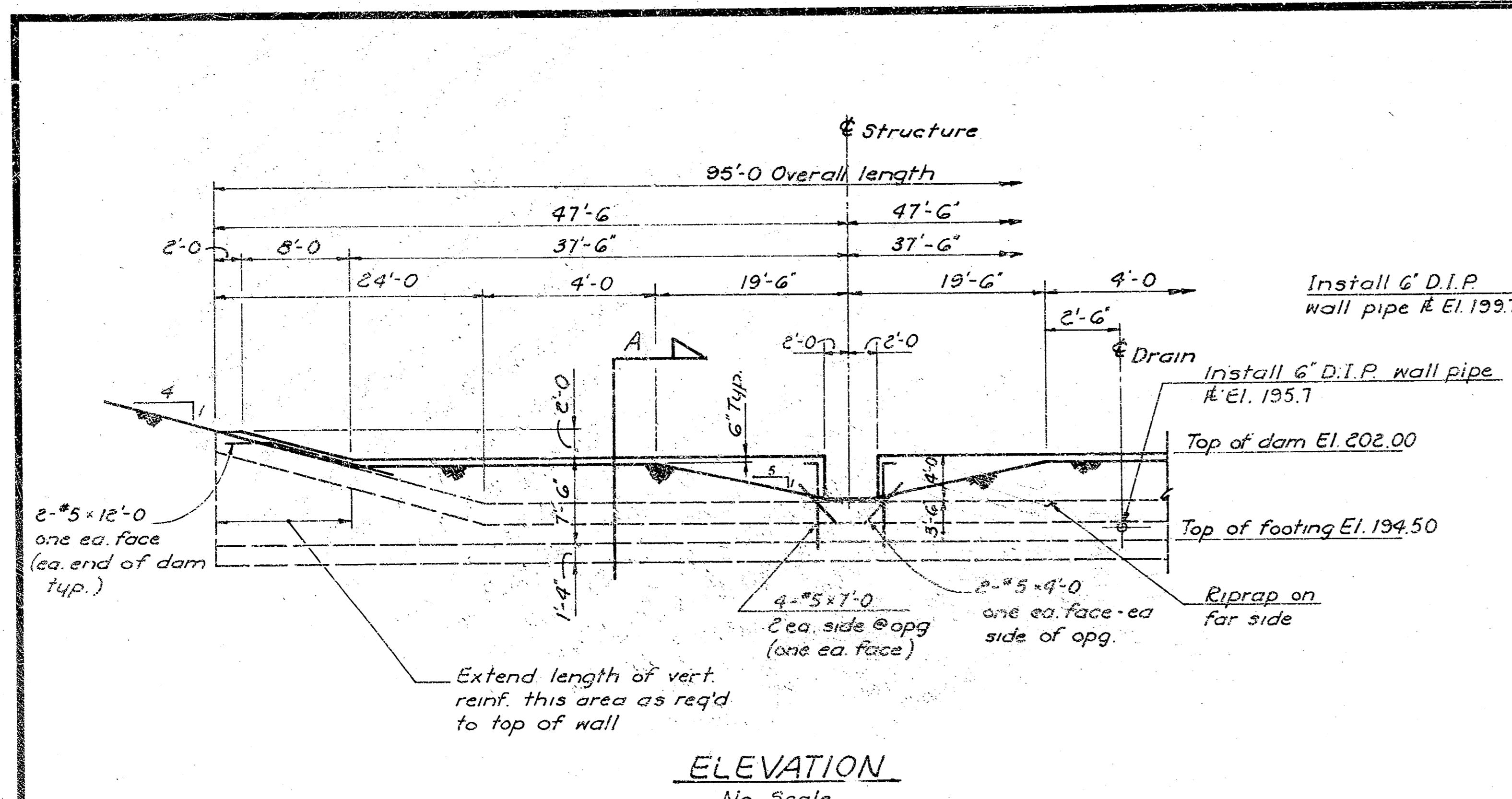
Construct Woodspring
control structure. See
details sheet 5

Install 6" drain line,
outlet headwall, valve
and inlet headwall.
See details sheet 5.
Total Pipe Length 110'

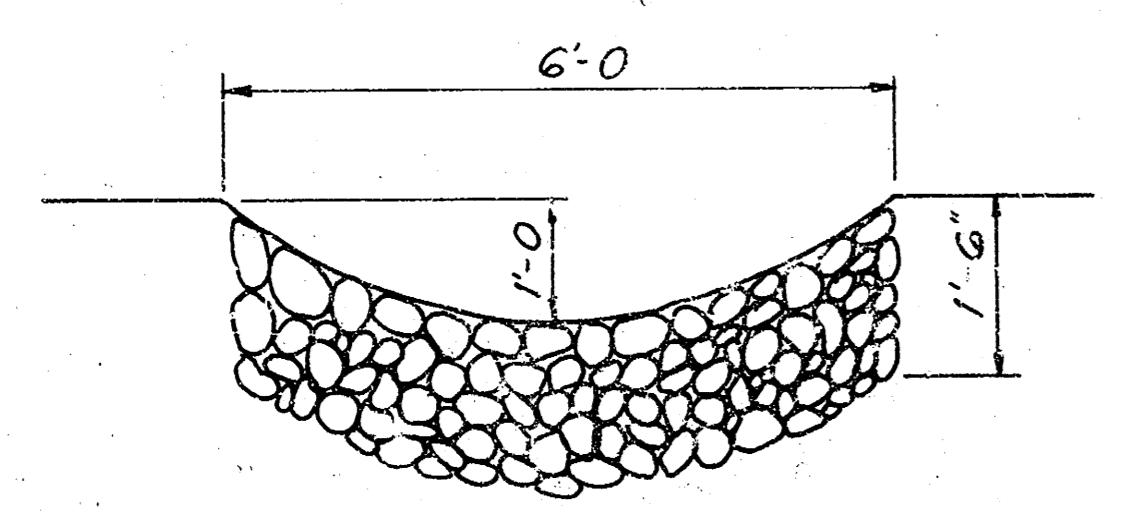
SW CORNER NE 1/4 NE 1/4 N. 391,143.59
SECTION 5, T-27-S, R-2-E. E. 367,300.90
(STATE PLANE CO-ORDINATE SYSTEM)
CONTROL STRUCTURE N. 389,870.
E. 366,455
CONTROL STRUCTURE ORIENTED S. 83° 30' E.

LEGEND
 --- EXISTING CONTOURS
 --- NEW CONTOURS
 ⊕ SOIL BORINGS

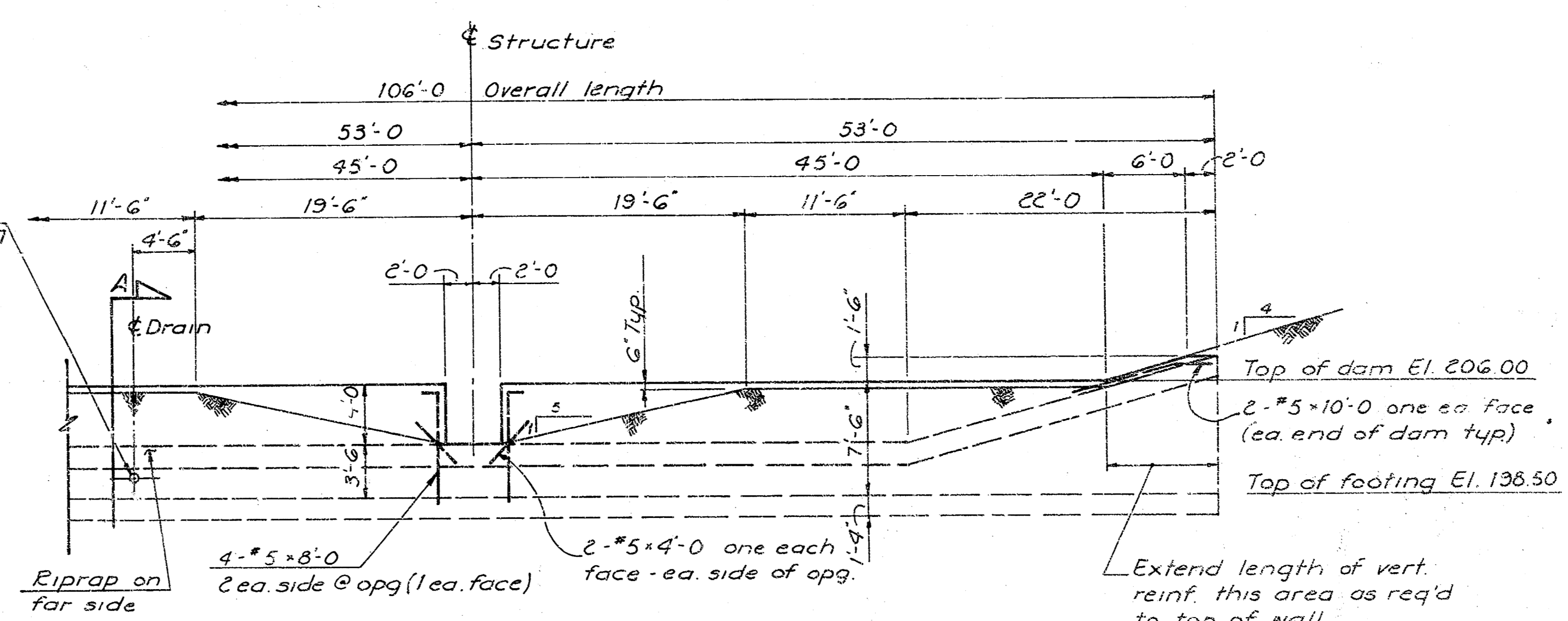
WILDERNESS AND WOODSPRING DETENTION RESERVOIRS WICHITA, KANSAS		Design JWW
		Drawn by DMS
		Checked by JWW
SITE PLAN		Date July 80
		Job no. 79-234
 Van Doren - Hazard - Stallings Architects • Engineers • Planners Topeka Wichita Minneapolis		Sheet 4/5



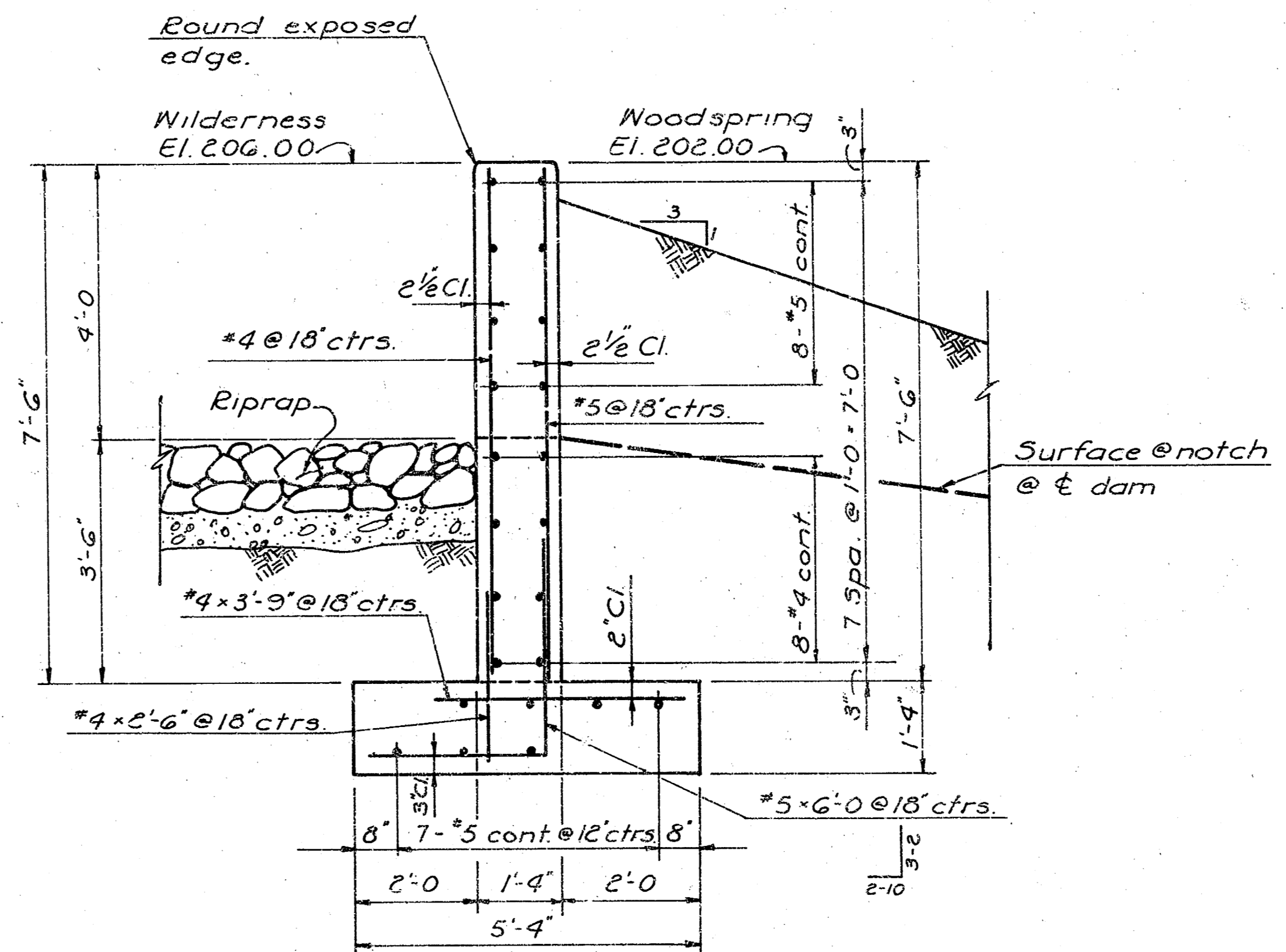
ELEVATION
No Scale
WOODSPRING RESERVOIR



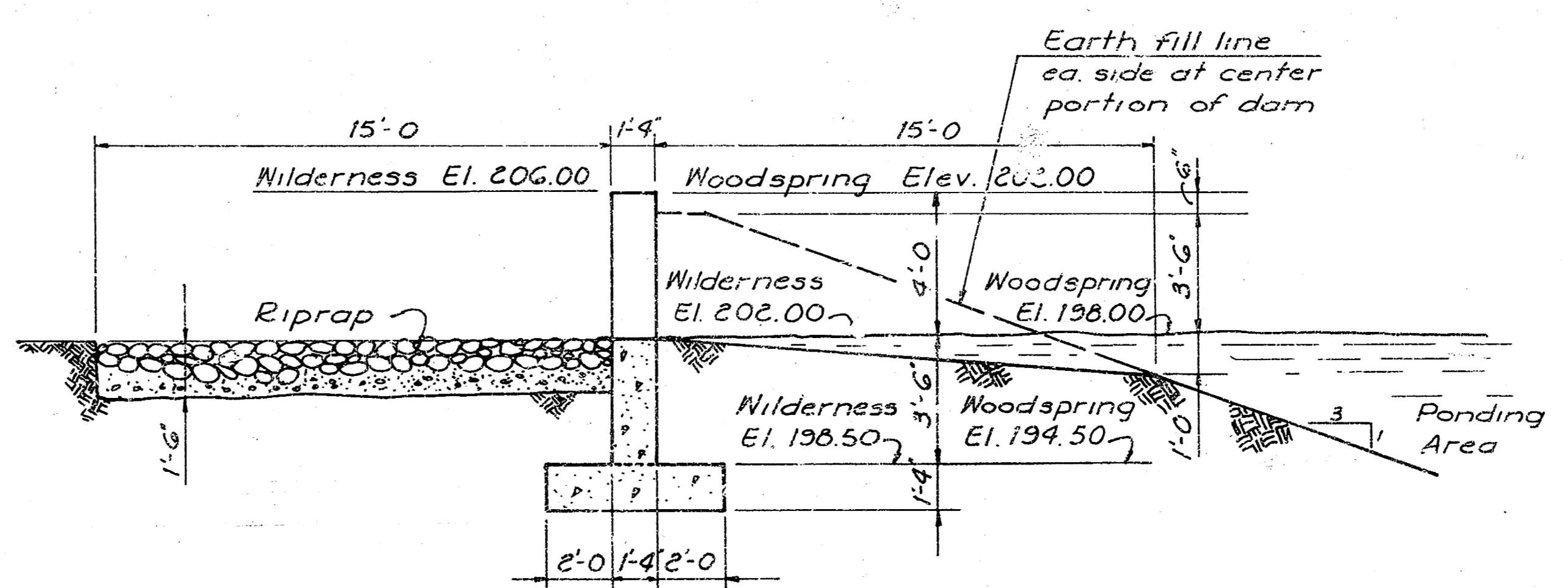
OUTLET CHANNEL DETAIL
Scale 1/2" = 1'-0"
WILDERNESS RESERVOIR



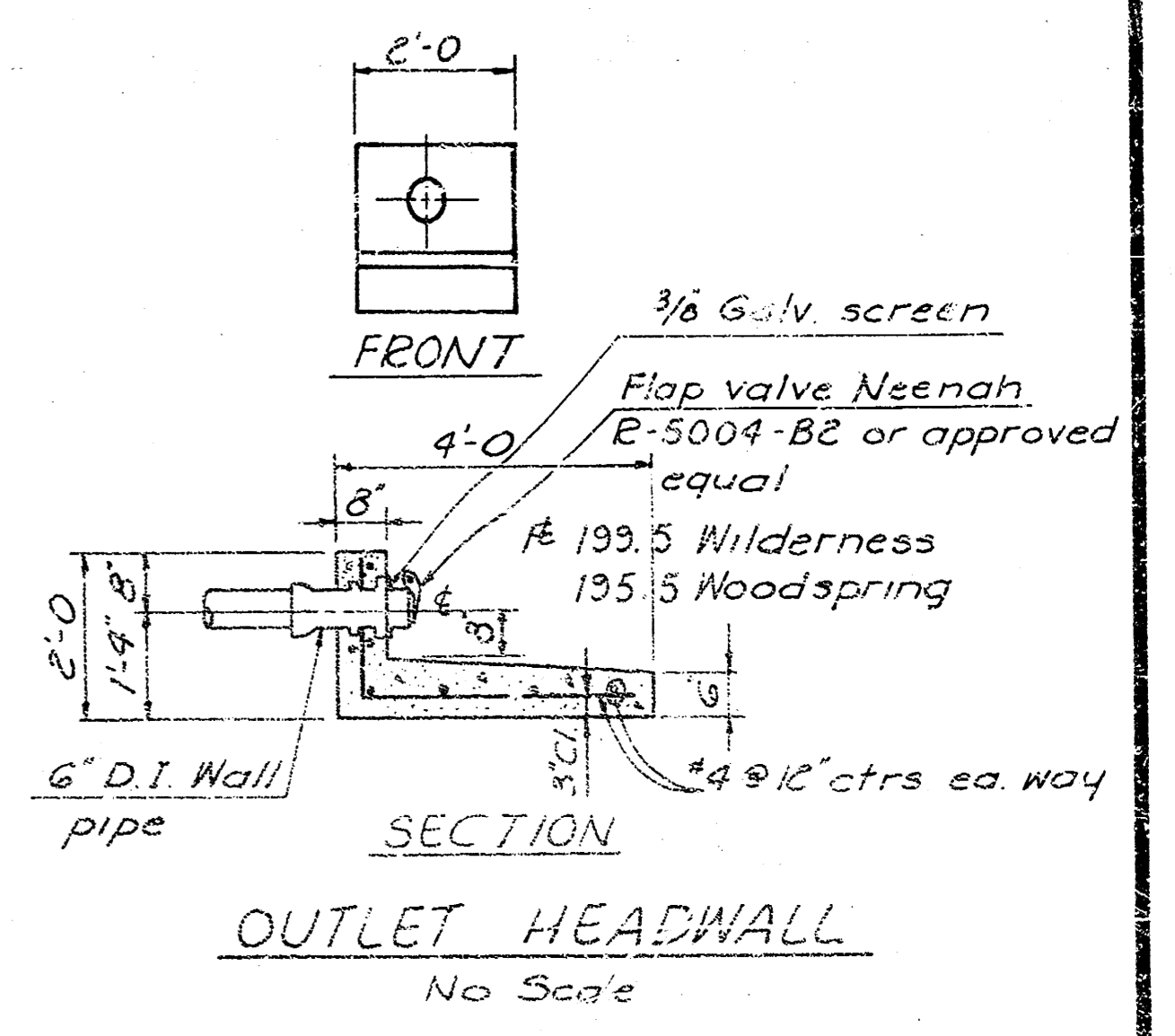
ELEVATION
Scale 1/8" = 1'-0"
WILDERNESS RESERVOIR



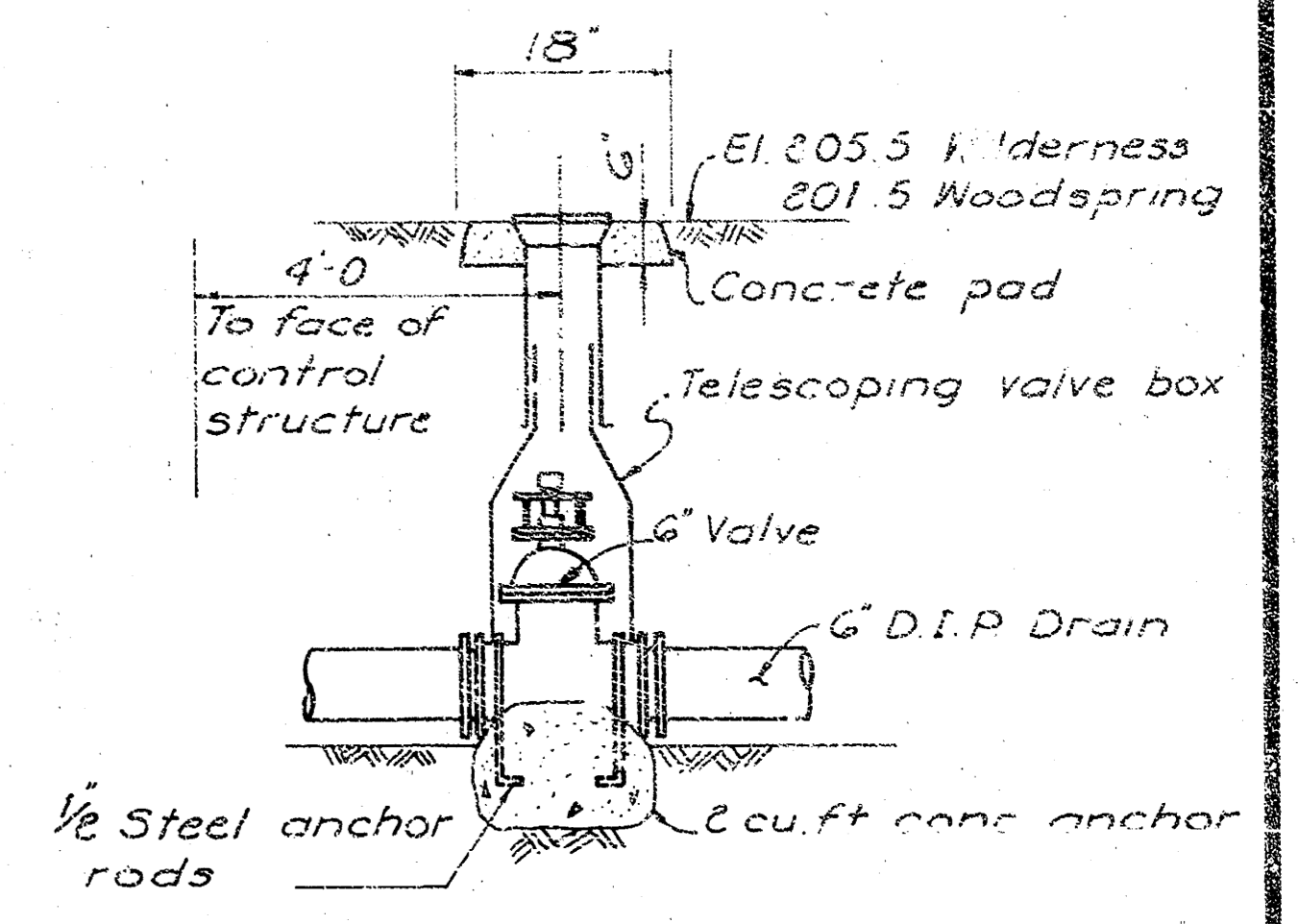
SECTION - A
Scale 1/2" = 1'-0"



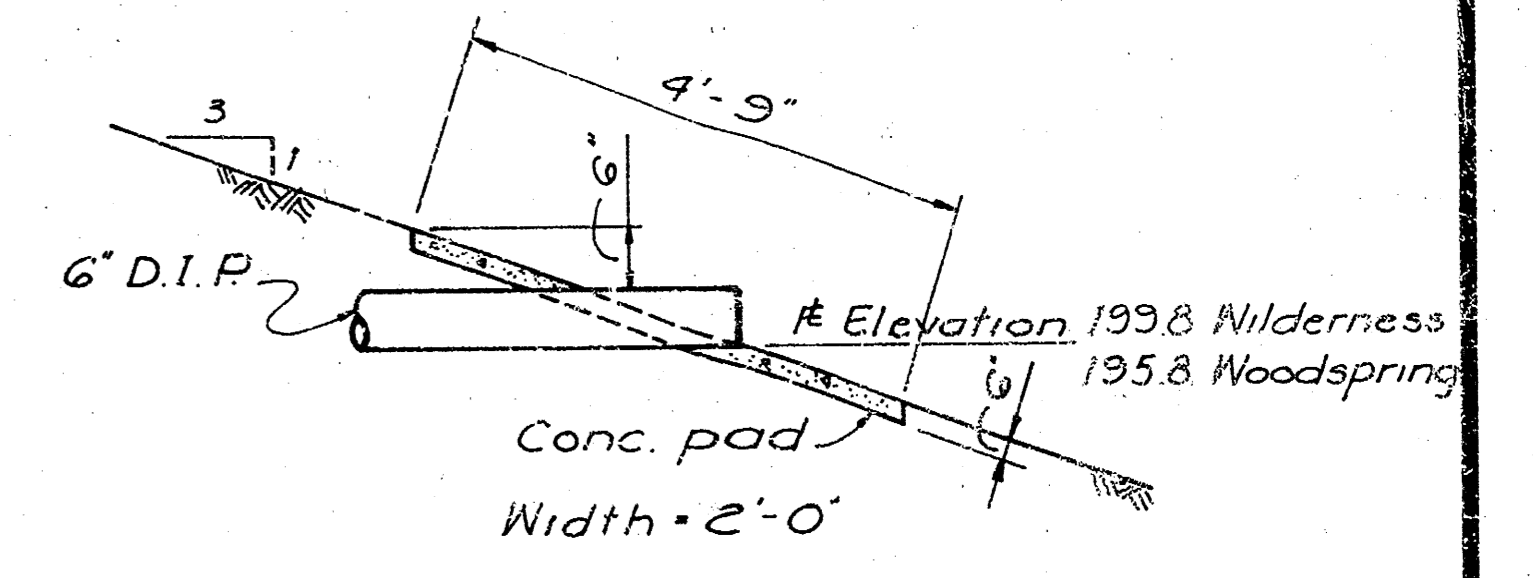
SECTION at CENTER
Scale 1/4" = 1'-0"
WILDERNESS & WOODSPRING RESERVOIRS



SECTION
No Scale
OUTLET HEADWALL



VALVE DETAIL & ANCHOR
No Scale



INLET HEADWALL
No Scale

WILDERNESS AND WOODSPRING DETENTION RESERVOIRS WICHITA, KANSAS		Design LLW
		Drawn by H.P.
		Checked by LLW
DETAILS		Date July 60
		Job no. 79-234
Van Doren - Hazard - Stallings		Sheet 5/5
Architects • Engineers • Planners Topeka • Wichita • Minneapolis		of 5