

STORM WATER DRAIN NO. 19

CITY OF WICHITA, KANSAS

R. W. LINN — CITY ENGINEER

NOV. 1974, PROJECT NO. DBKD 574089

SECTION CORNER TIES

SOUTHWEST CORNER, SOUTHWEST QUARTER, SECTION 8, TOWNSHIP 27
SOUTH, RANGE 1 WEST
5/8" REBAR 4" BELOW ASPHALT
47.83' N. TO 3 TACKS IN TRANSMISSION POLE
50.07' N. TO CONCRETE WETNESS
50.82' S. TO 3 TACKS IN TELEPHONE POLE
125.29' S.W. TO FACE OF CONCRETE STREET LIGHT POLE

NORTHEAST CORNER, SOUTHWEST QUARTER, SECTION 8, TOWNSHIP 27
SOUTH, RANGE 1 WEST
1 1/4" PIPE
0.5' N.E. TO INTERSECTION OF FENCE EAST AND NORTH
0.6' S. TO HEDGE TREE
5.96' S. TO 3 TACKS IN FENCE POST

CHANNEL DIMENSIONS

EXCAVATION = 51,230 CU. YDS.
COMPACTED FILL = 12,500 CU. YDS.

NOTE: COMPACTED FILL TO BE CONSTRUCTED TO CONFORM TO TYPE "B"
COMPACTION (90-95) OF THE 1973 KANSAS STATE HIGHWAY
SPECIFICATIONS.

SEEDING

SEED SHALL BE MIXED NATIVE GRASS SEED AS SPECIFIED IN
SECTION 13 - 13 OF THE KANSAS STATE HIGHWAY STD SPECIFICATIONS,
(EDITION) 1966. MIXTURE SHALL BE PRAIRIE HAY, FERTILIZING,
SEEDING, AND MULCHING SHALL CONFORM TO SECTIONS H2, H5, H6
AND ALL OTHER RELATED SECTIONS OF THE 1966 STANDARD SPECIFICA-
TION OF KANSAS STATE HIGHWAY COMMISSION. DESIRABLE SPECIES
GRASSES SHALL NOT BE DISTURBED EXCEPT AS NECESSARY TO CONSTRUCT
CHANNEL. NATIVE GRASS SEED SHALL BE APPLIED AT THE RATE OF
50 LBS. OF SEED PER ACRE. FERTILIZER SHALL BE APPLIED AT THE
RATE OF 300 LBS. OF FERTILIZER PER ACRE. FERTILIZER SHALL
CONTAIN 12% NITROGEN, 12% PHOSPHATE, & 12% POTASH.

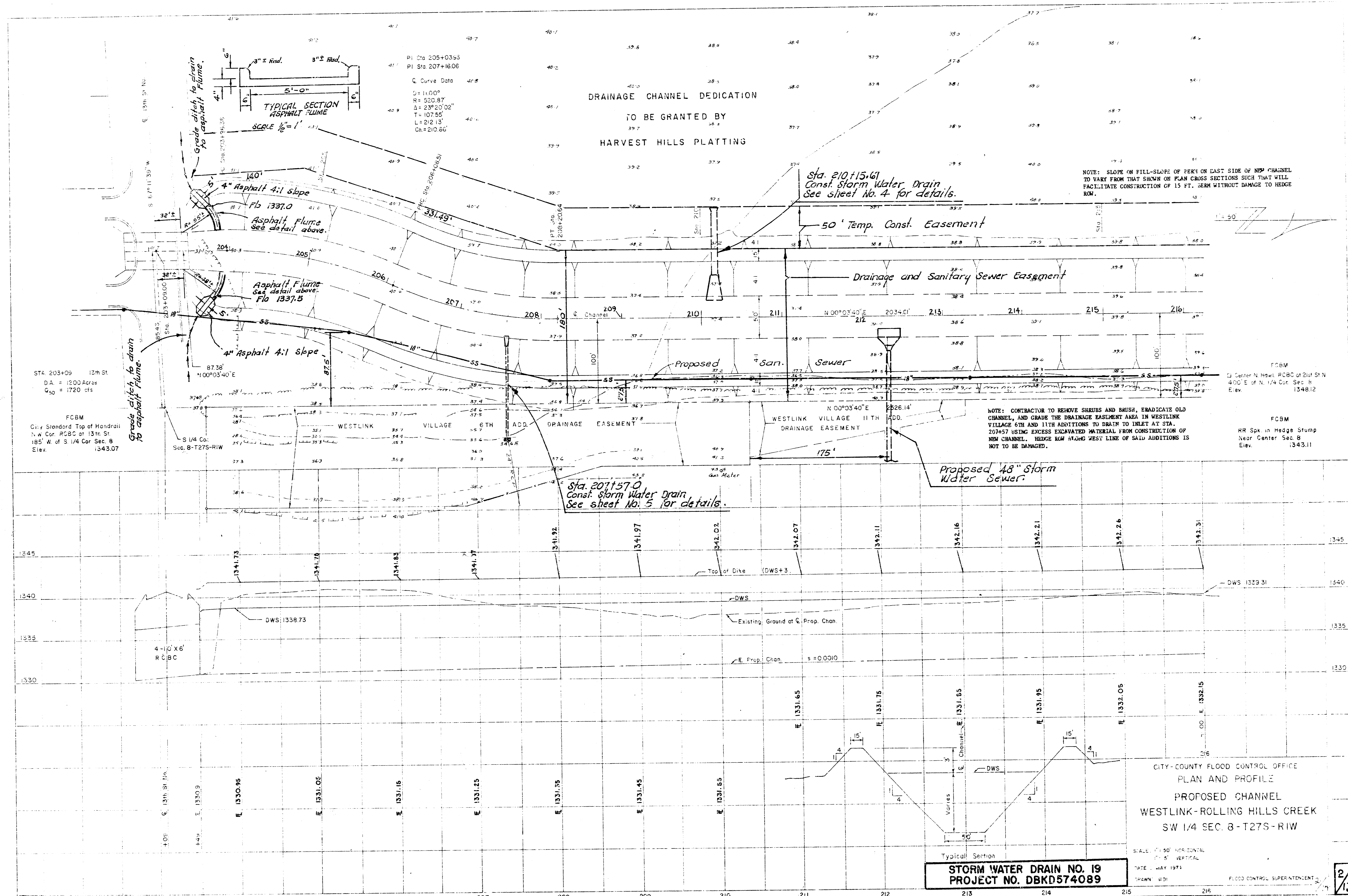
NOTE: THIS PROJECT SHALL BE COORDINATED WITH STORM WATER
SEWER #111 PROJECT AND MAIN 3, WESTLINE SEWER PROJECT.



As Built 4-21-76

STORM WATER DRAIN NO. 19
PROJECT NO. DBKD 574089

1/13



DRAINAGE CHANNEL DEDICATION
TO BE GRANTED BY
HARVEST HILLS PLATTING

NOTE: SLOPE ON FILL-SLOPE OF PERK ON EAST SIDE OF NEW CHANNEL TO VARY FROM THAT SHOWN ON PLAN CROSS SECTIONS SUCH THAT WILL FACILITATE CONSTRUCTION OF 15 FT. BERM WITHOUT DAMAGE TO HEDGE ROW.

Sta. 210+15.61
Const. Storm Water Drain
See sheet No. 4 for details.

50' Temp. Const. Easement

Drainage and Sanitary Sewer Easement

Proposed San. Sewer

NOTE: CONTRACTOR TO REMOVE SHRUBS AND BRUSH, ERADICATE OLD CHANNEL, AND GRADE THE DRAINAGE EASEMENT AREA IN WESTLINK VILLAGE 6TH AND 11TH ADDITIONS TO DRAIN TO INLET AT STA. 207+57 USING EXCESS EXCAVATED MATERIAL FROM CONSTRUCTION OF NEW CHANNEL. HEDGE ROW ALONG WEST LINE OF SAID ADDITIONS IS NOT TO BE DAMAGED.

Proposed 48" Storm Water Sewer

Sta. 207+57.0
Const. Storm Water Drain
See sheet No. 5 for details.

STA. 203+09 12th St
D.A. = 12.00 Acres
Q₅₀ = 1720 cfs

FCBM
City Standard Top of Handrail
N.W. Cor. R28C at 13th St
185' W. of S 1/4 Cor. Sec. 8
Elev. 1343.07

FCBM
City Center N. Handl. R28C at 21st St N
400' E. of N 1/4 Cor. Sec. 8
Elev. 1348.12

FCBM
RR Spk. in Hedge Stump
Near Center Sec. 8
Elev. 1343.11

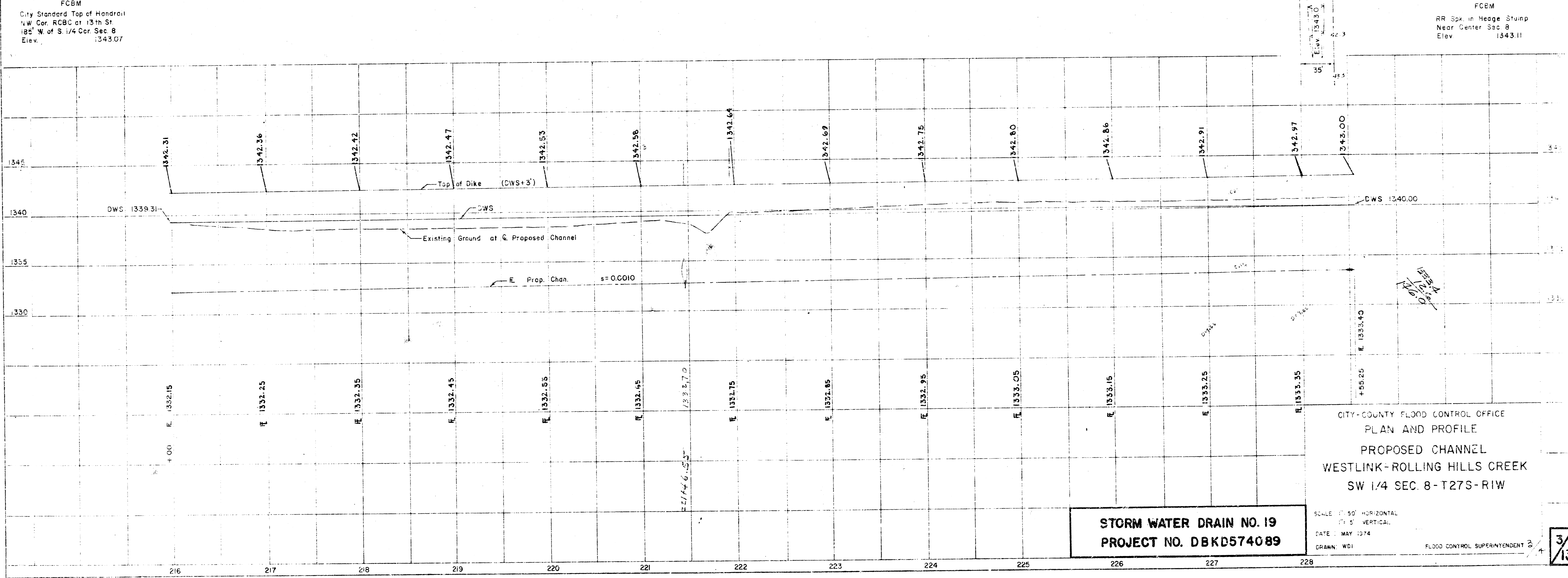
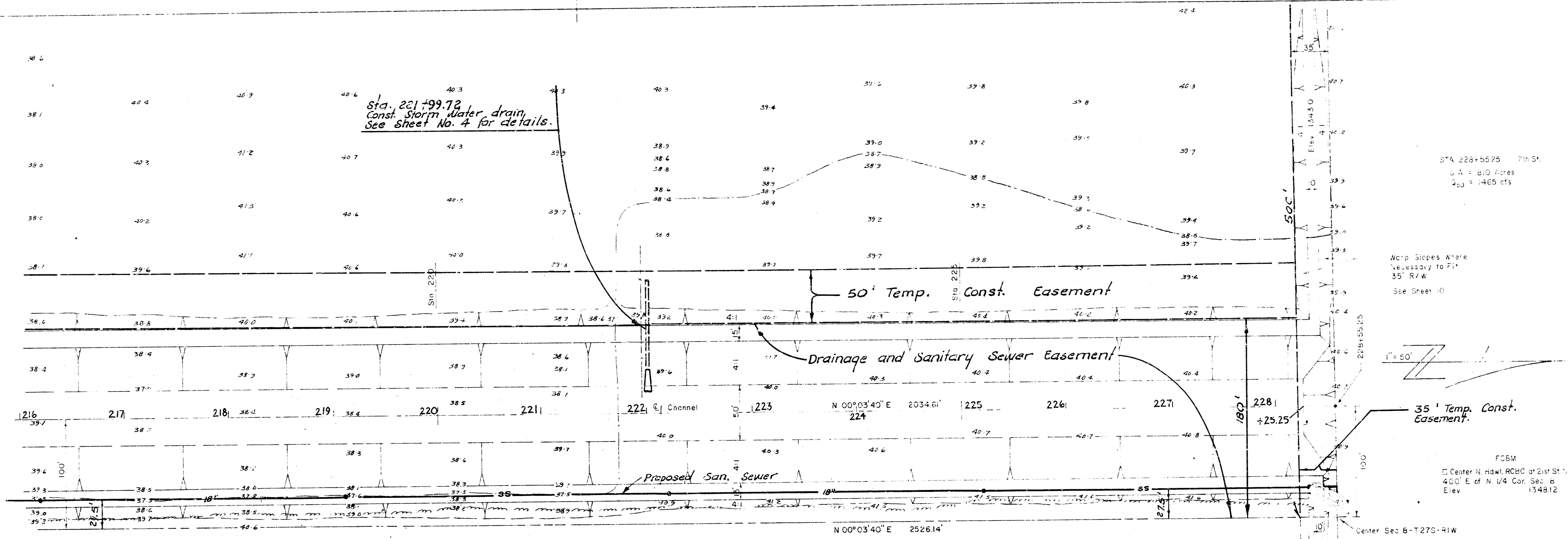
CITY-COUNTY FLOOD CONTROL OFFICE
PLAN AND PROFILE
PROPOSED CHANNEL
WESTLINK-ROLLING HILLS CREEK
SW 1/4 SEC. 8-T27S-RIW

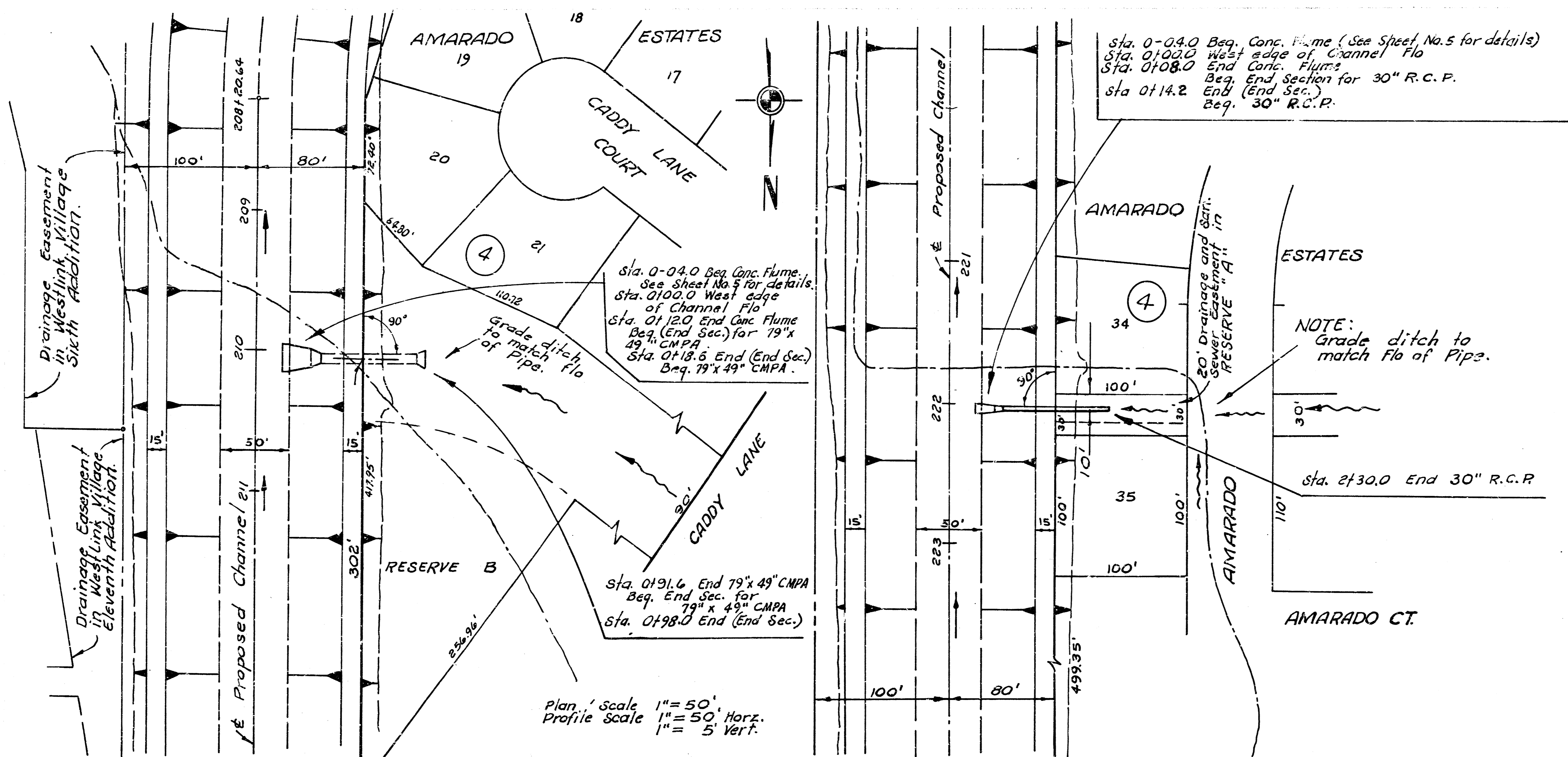
STORM WATER DRAIN NO. 19
PROJECT NO. DBKD574089

SCALE: 1" = 50' HORIZONTAL
1" = 5' VERTICAL

DATE: MAY 1971

DRAWN: WDI FLOOD CONTROL SUPERINTENDENT



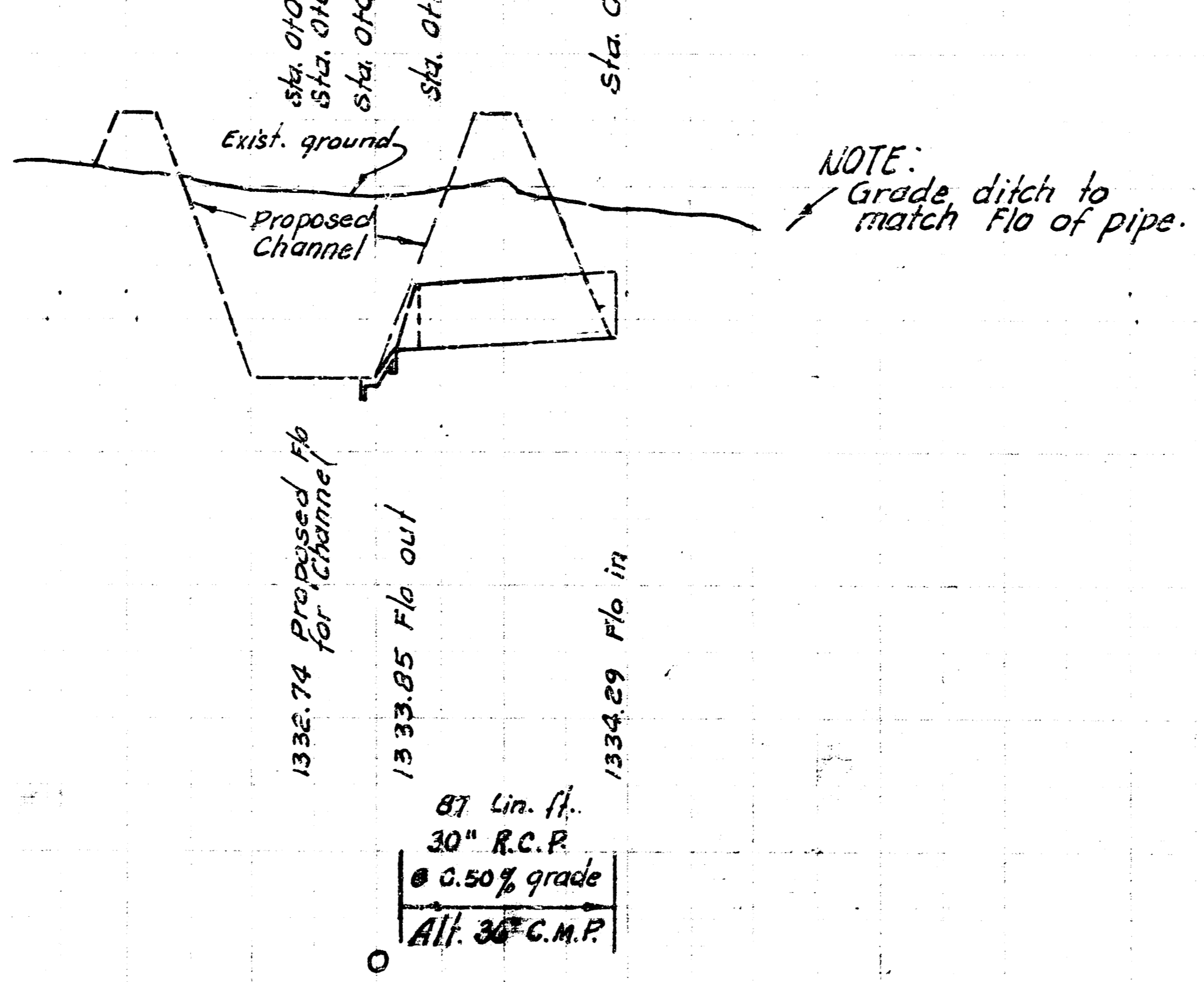
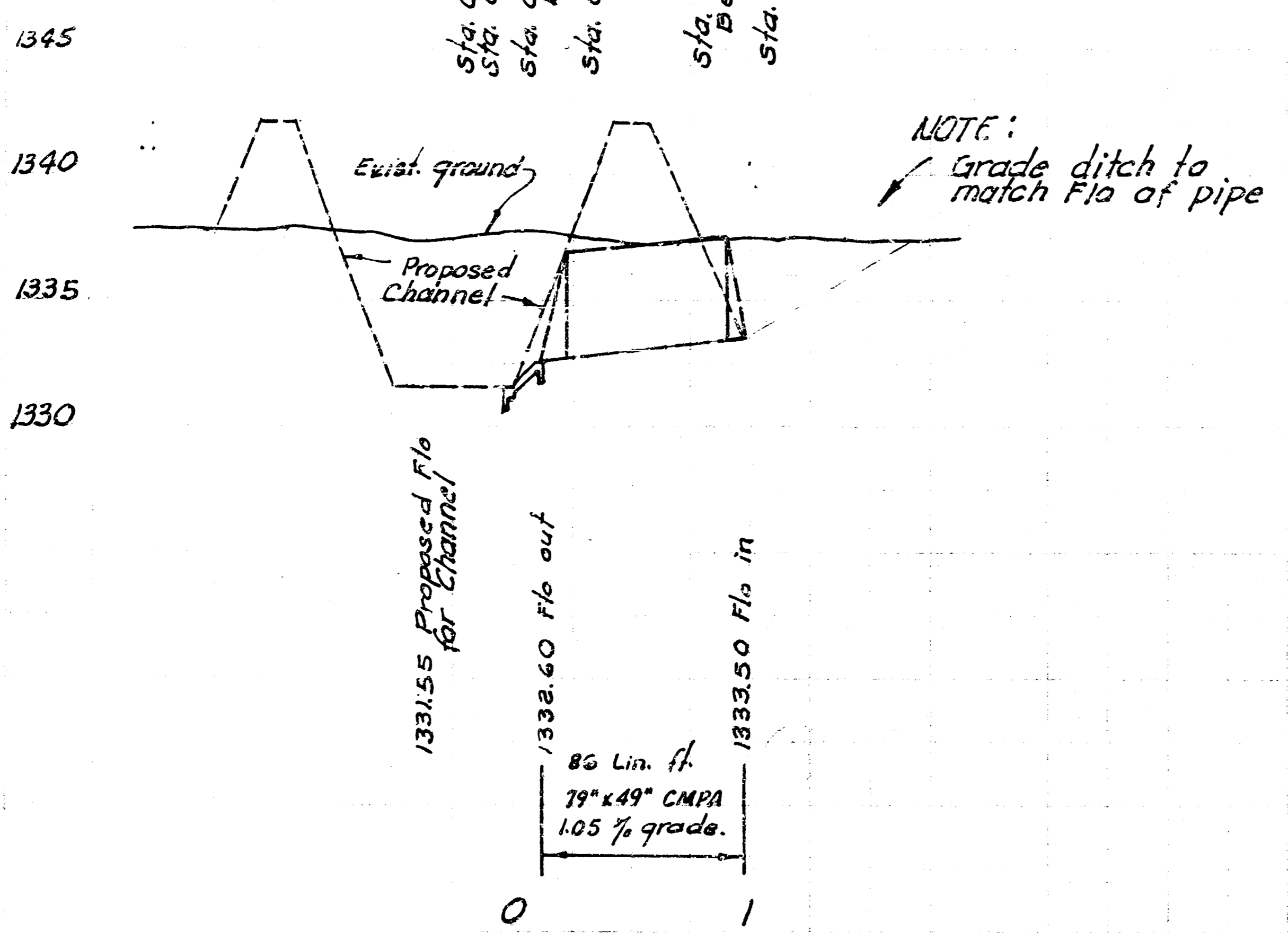


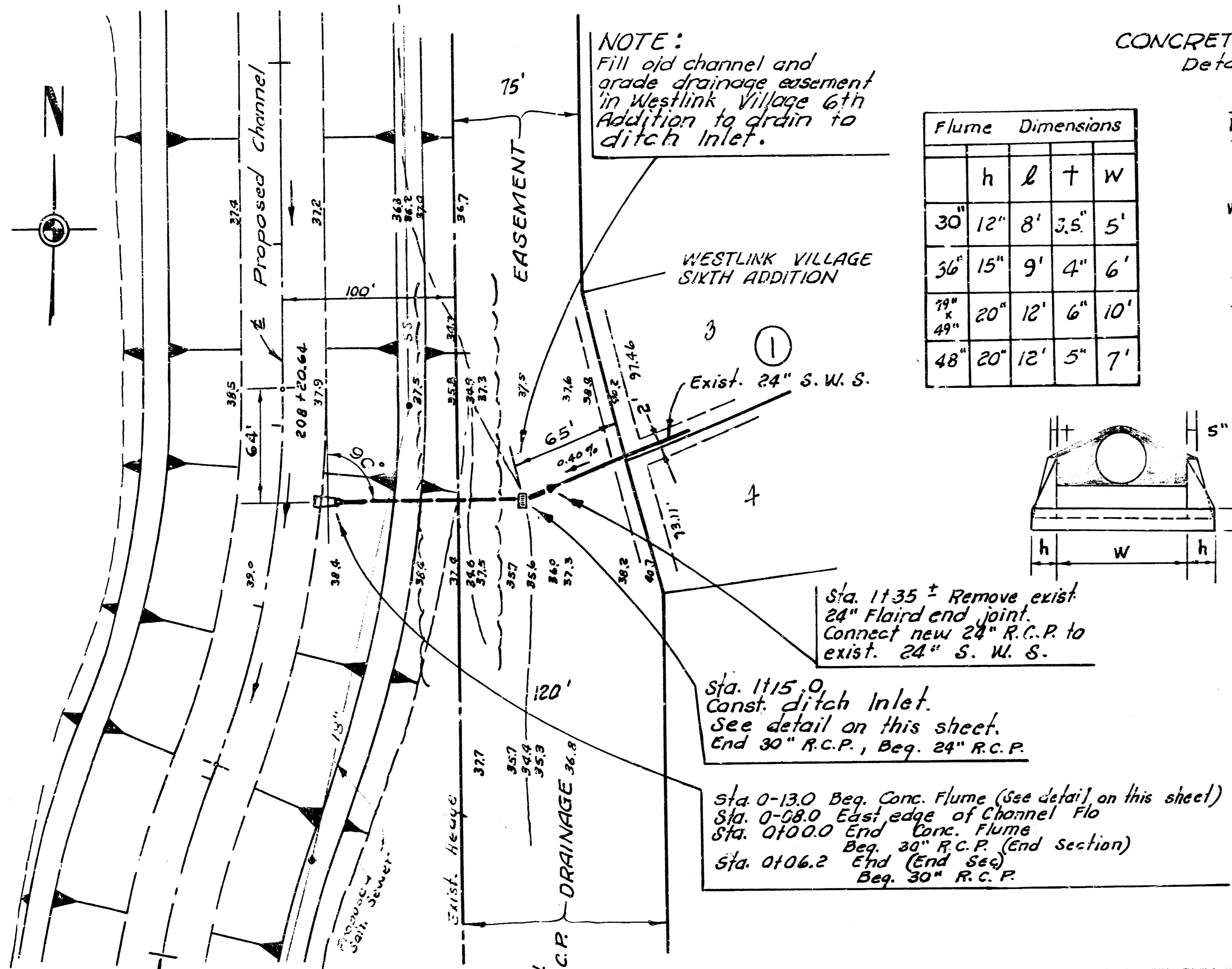
Plan Scale 1" = 50'
 Profile Scale 1" = 50' Horiz.
 1" = 5' Vert.

NOTE:
 See sheet No. 5
 for Concrete Flume
 details.

Sta. 0+04.0 Beg. Conc. Flume
 Sta. 0+100.0 West edge of
 Channel Flume
 Sta. 0+120.0 End Conc. Flume
 Sta. 0+184.4 End (End Sec.)
 Sta. 0+191.6 End 79"x49" CMPA
 Sta. 0+198.0 End (End Sec.)
 Sta. 0+198.0 End (End Sec.)

Sta. 0+04.0 Beg. Conc. Flume
 Sta. 0+100.0 West edge of
 Channel Flume
 Sta. 0+108.0 End Conc. Flume
 Sta. 0+142.2 End (End Sec.)
 Sta. 0+195.0 End
 30" R.C.P.

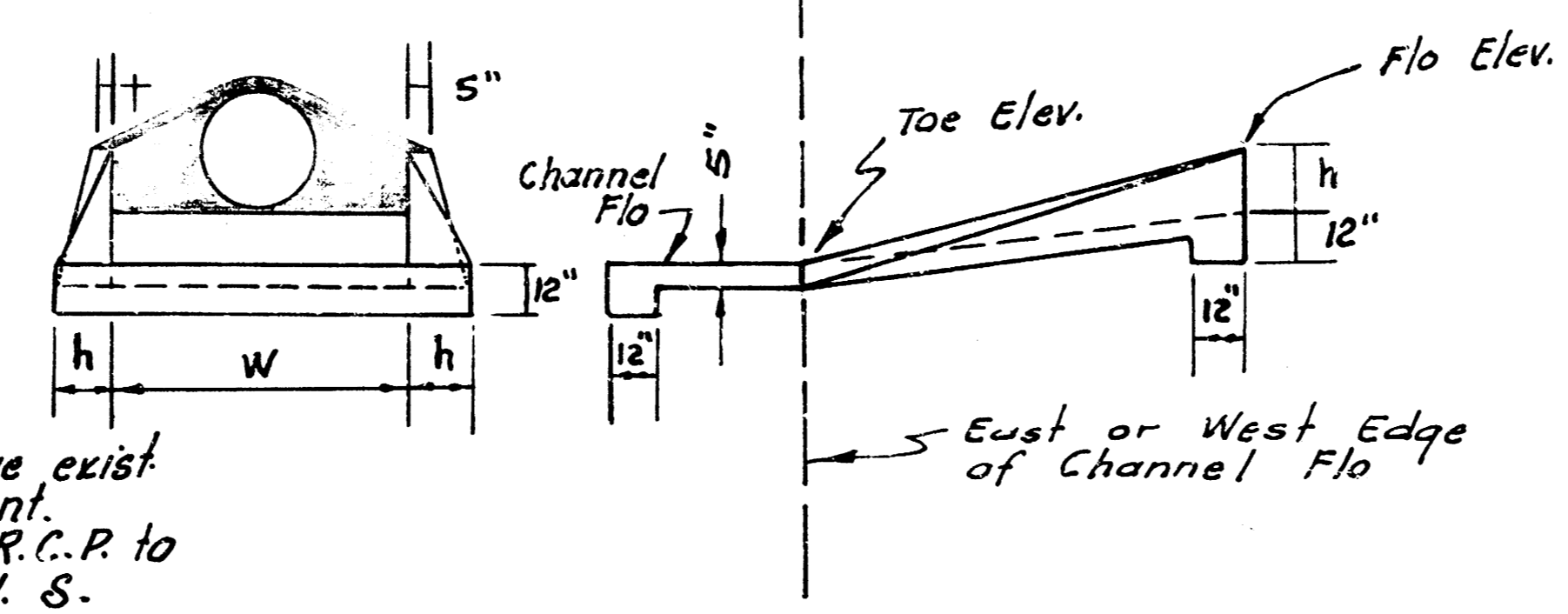
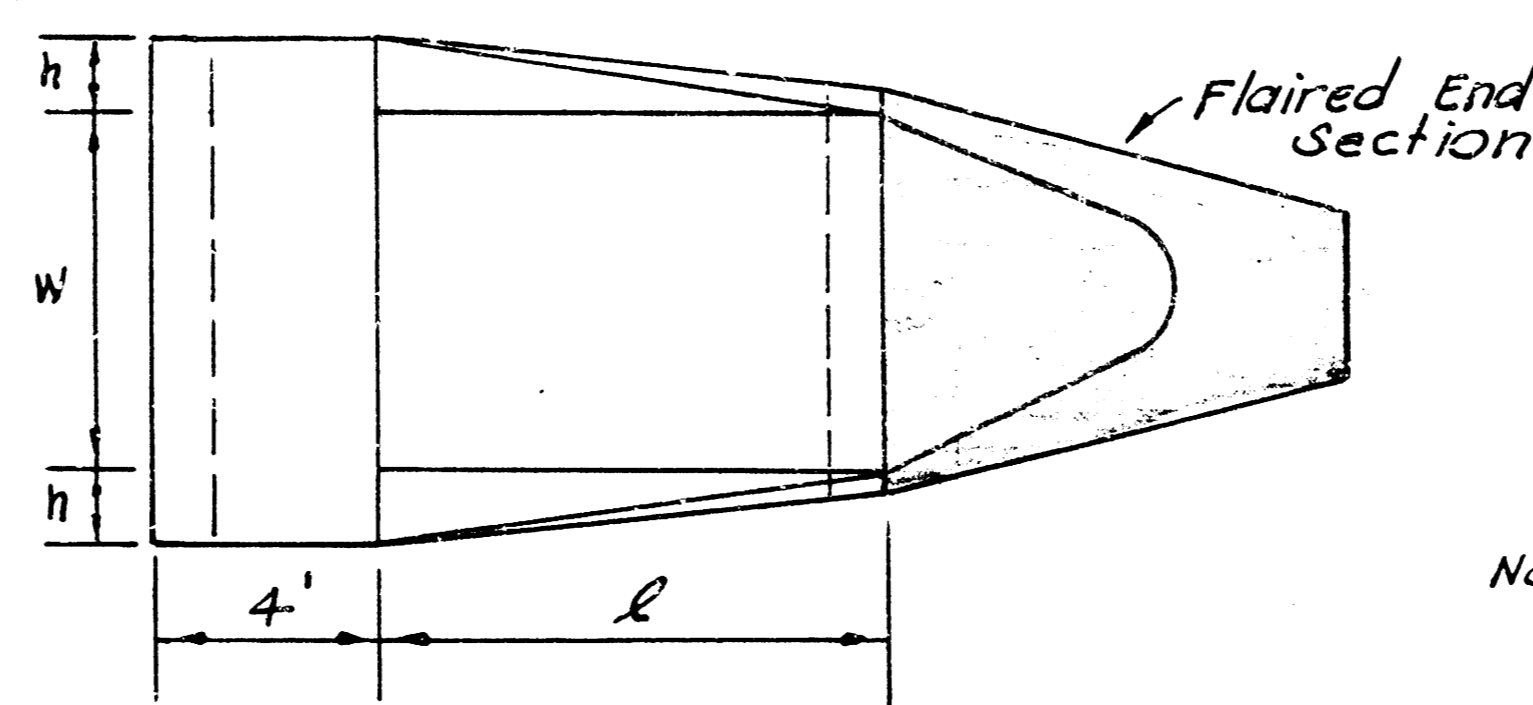




NOTE:
Fill old channel and grade drainage easement in Westlink Village 6th Addition to drain to ditch inlet.

CONCRETE FLUME
Detail

Flume Dimensions				
h	l	t	W	
30"	12'	8"	3.5"	5'
36"	15'	9"	4"	6'
48"	20'	12'	6"	10'
48"	20'	12'	5"	7'

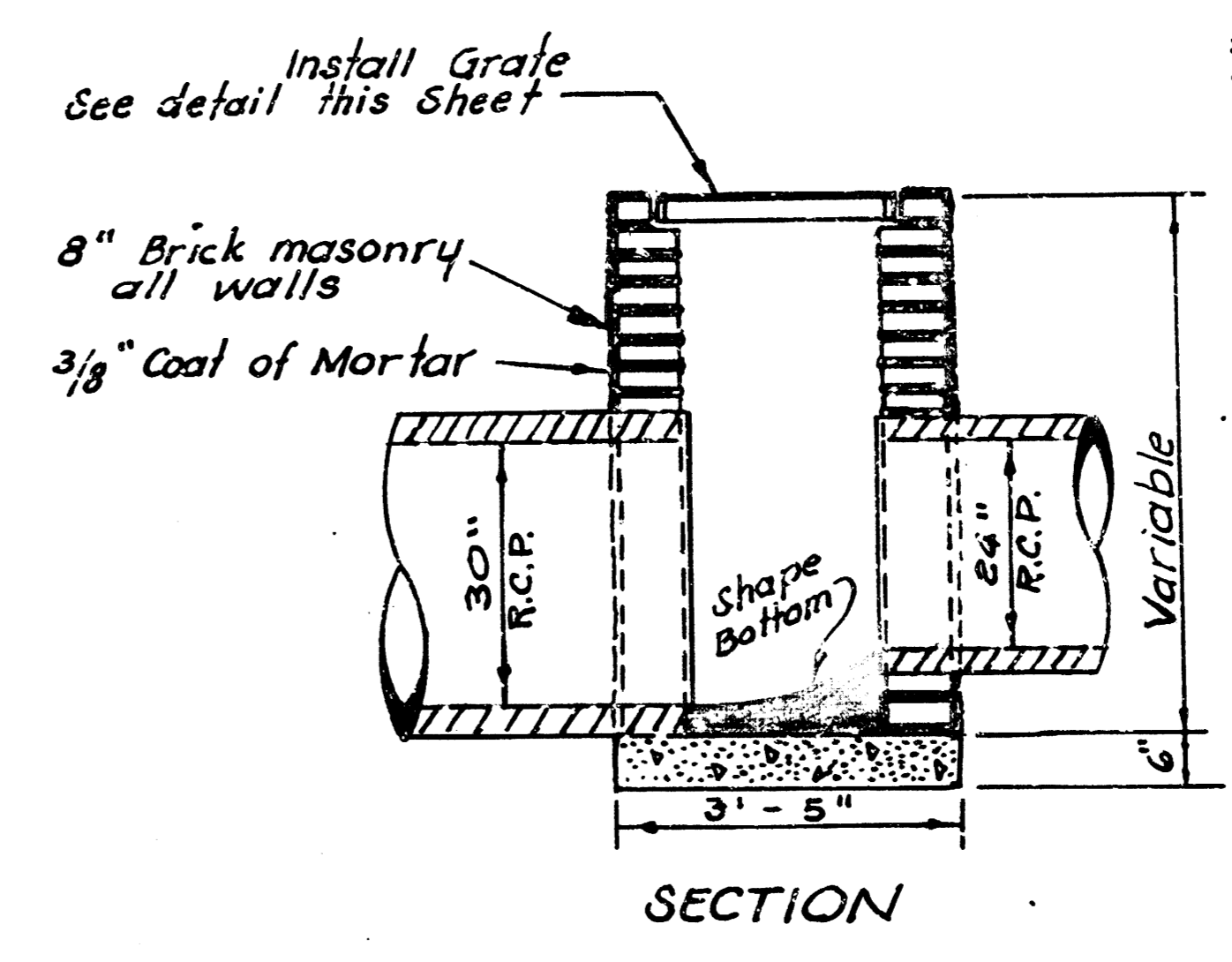
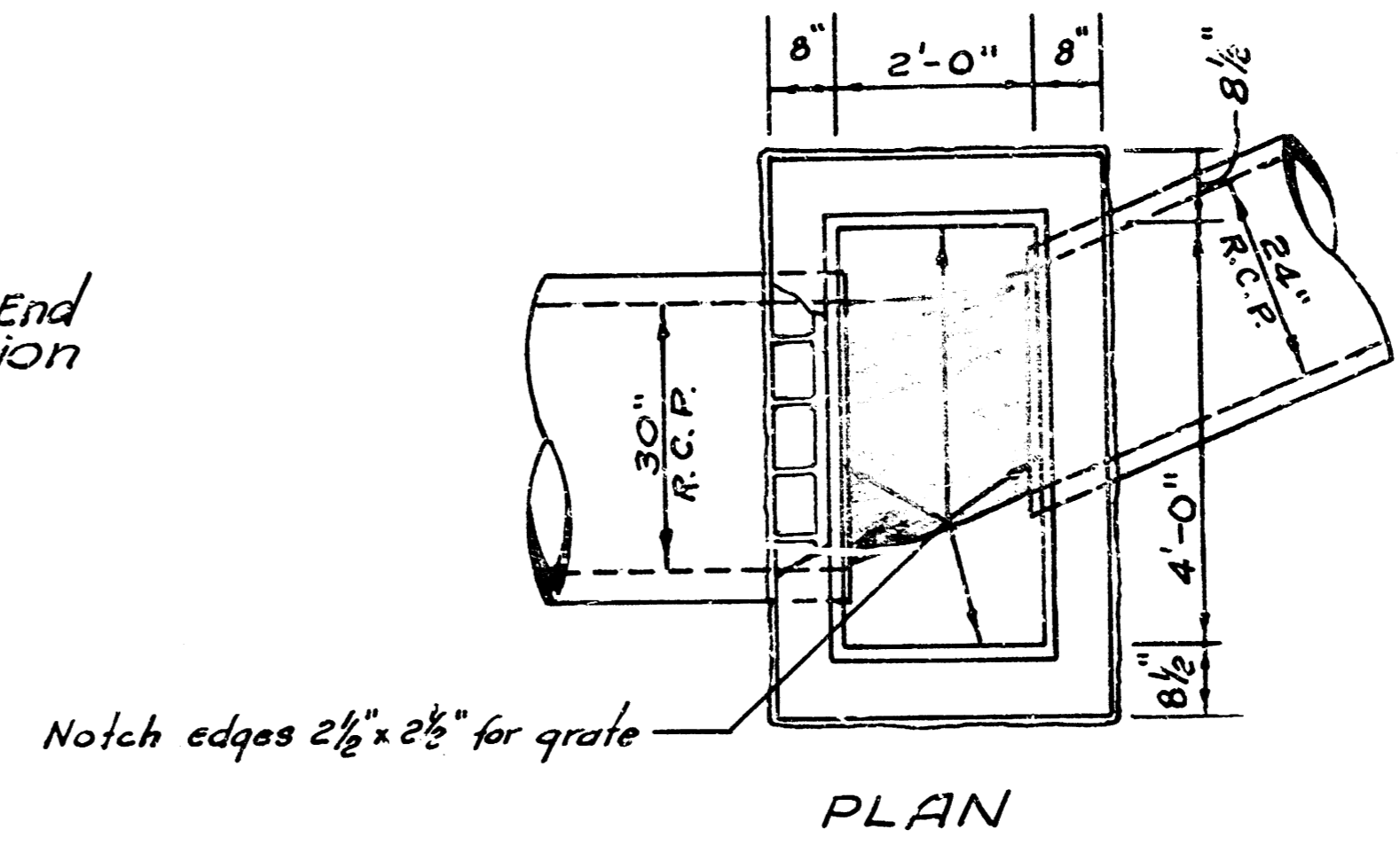


Sta. 1135 ± Remove exist. 24" Flaired end joint. Connect new 24" R.C.P. to exist. 24" S. W. S.

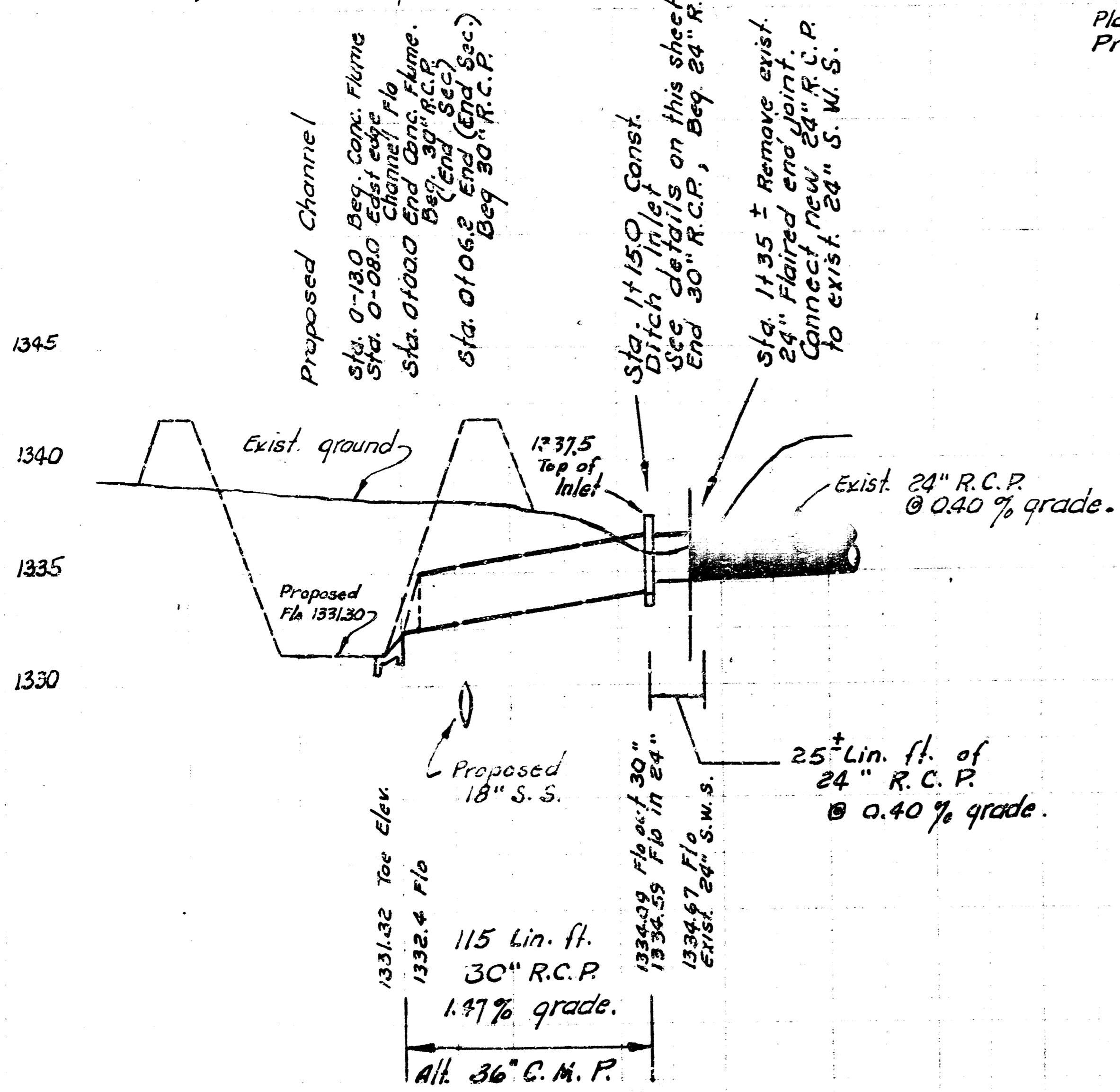
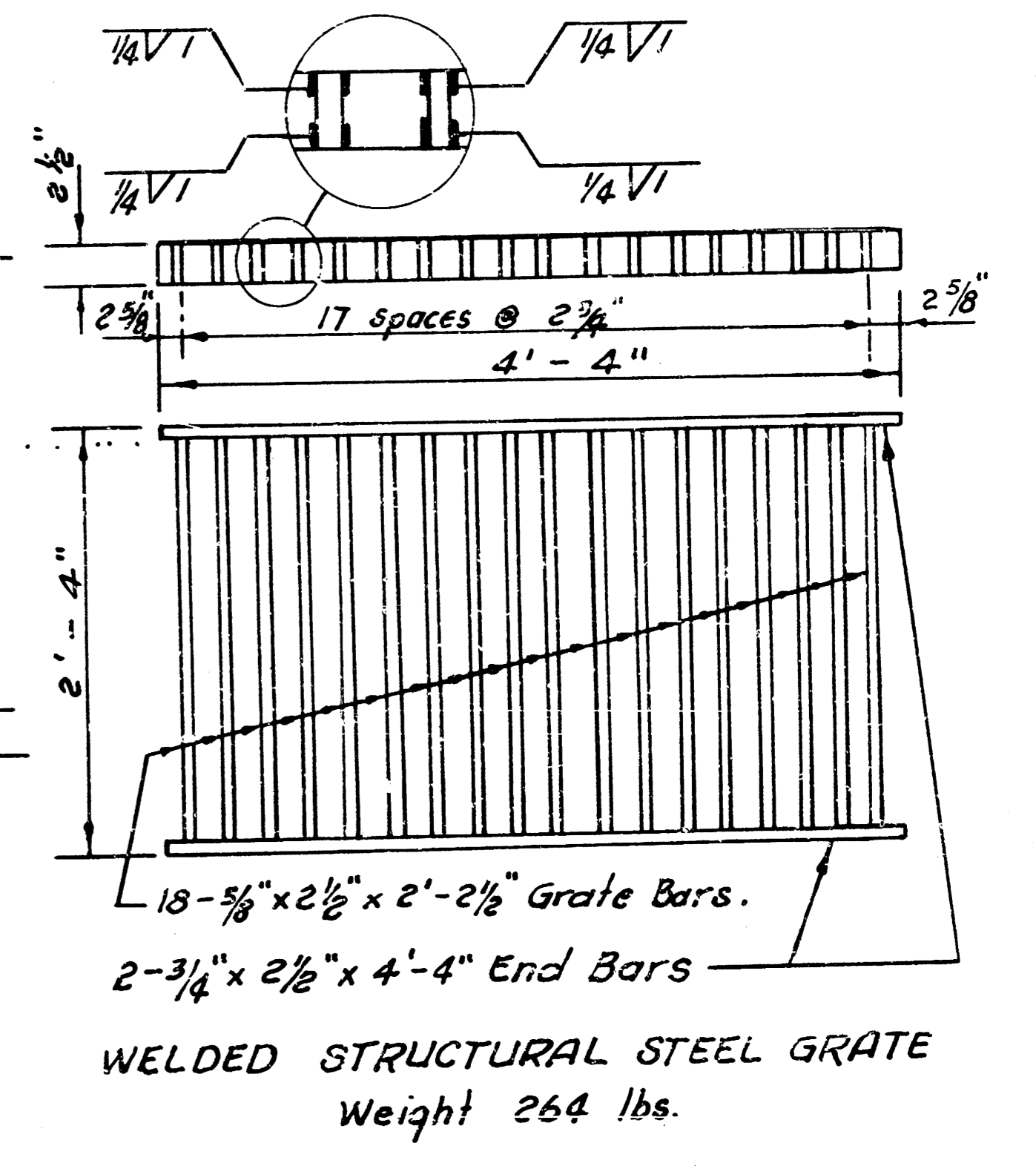
Sta. 1115.0 Const. Ditch Inlet. See detail on this sheet. End 30" R.C.P., Beg. 24" R.C.P.

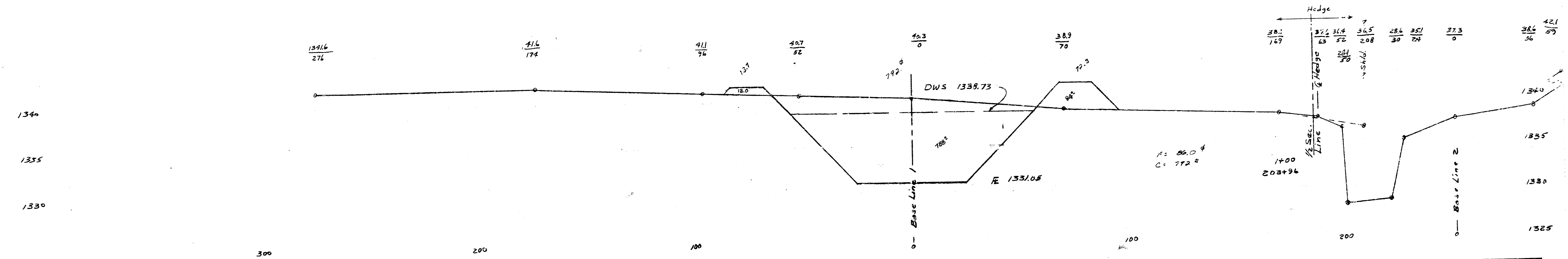
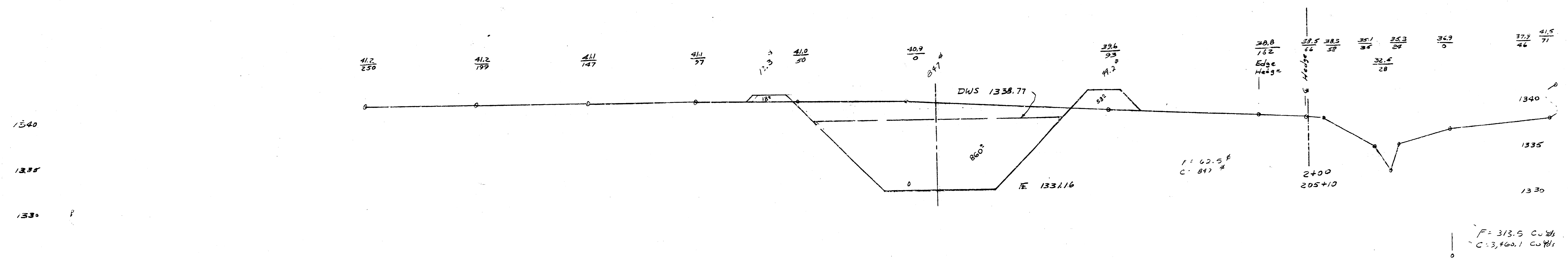
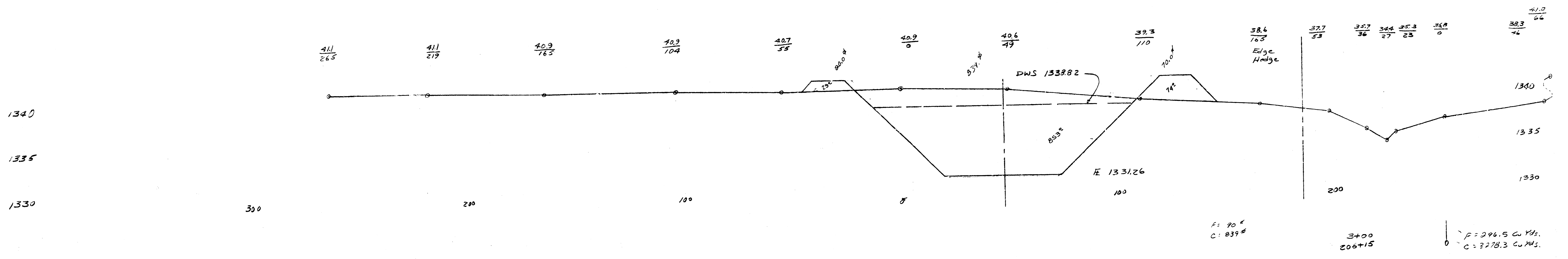
Sta. 0-130.0 Beg. Conc. Flume (See detail on this sheet)
Sta. 0-58.0 East edge of Channel Flo
Sta. 0100.0 End Conc. Flume Beg. 30" R.C.P. (End section)
Sta. 0106.2 End (End sec.) Beg. 30" R.C.P.

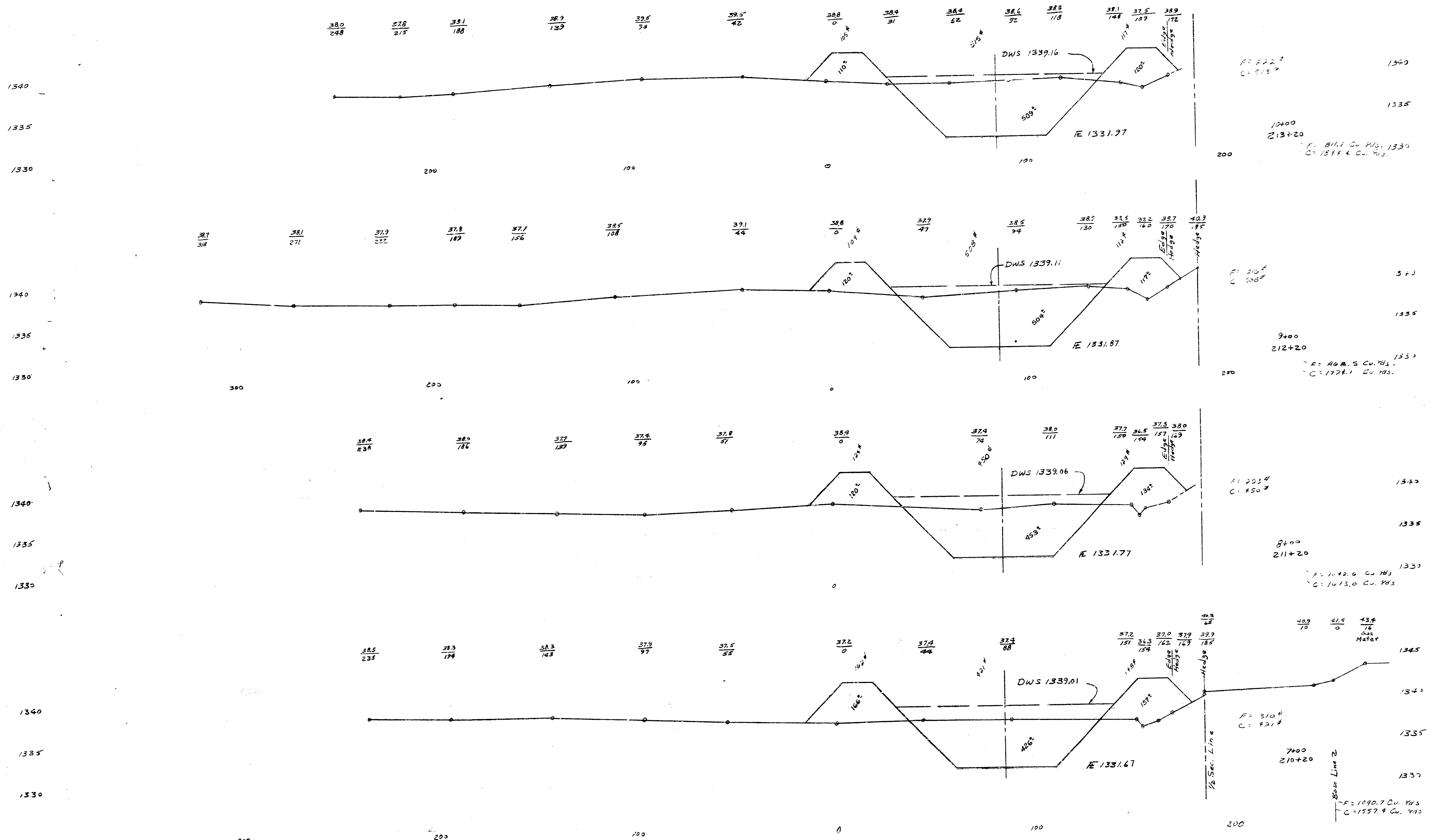
Plan Scale 1" = 50'
Profile Scale 1" = 50' Horiz.
5" Vert.



DITCH INLET
detail





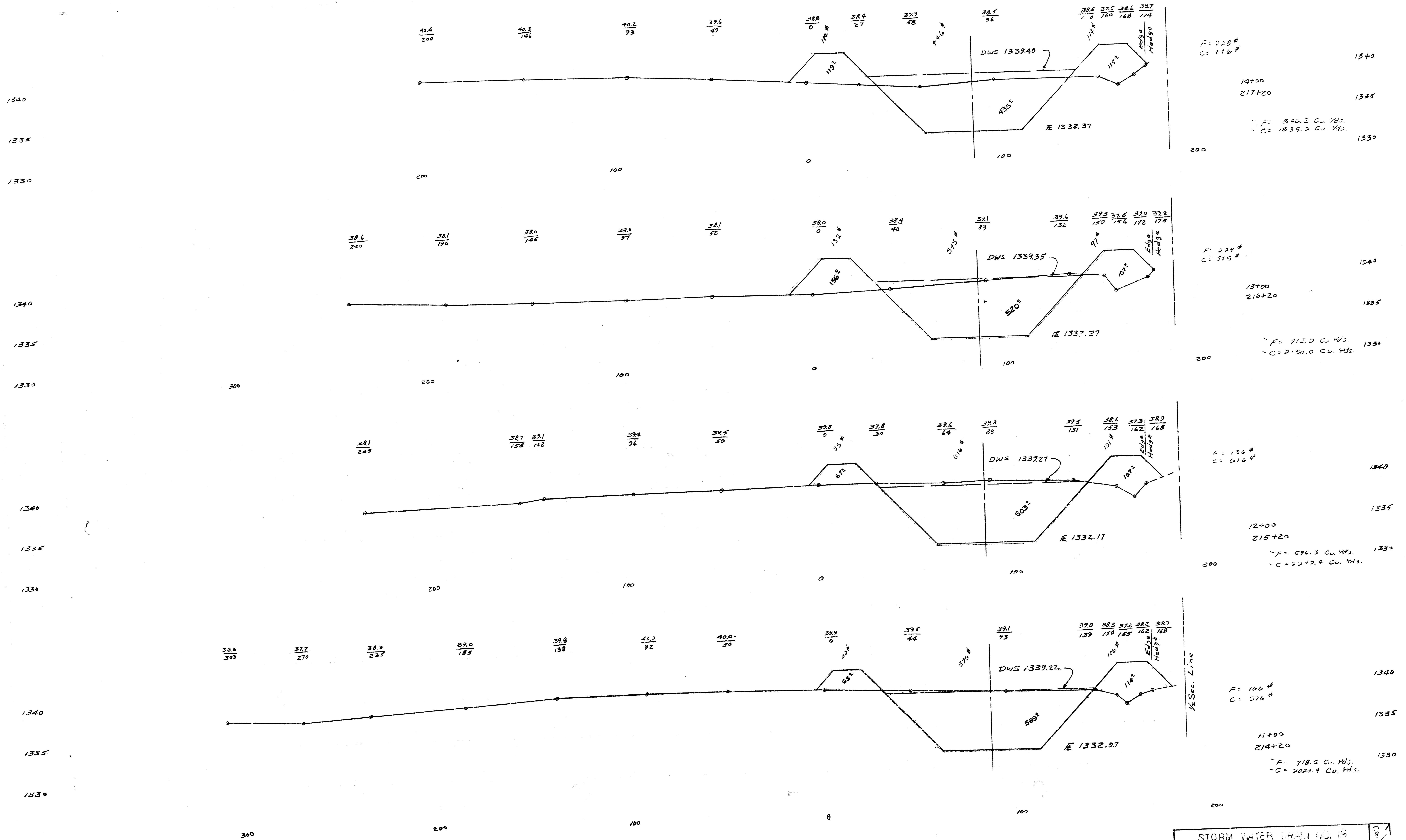


F= 222.3
 C= 513.7
 1340
 1335
 10400
 213+20
 F= 811.1 Cu. Yds. 1330
 C= 1577.4 Cu. Yds.

F= 210.4
 C= 508.2
 1340
 1335
 9400
 212+20
 F= 968.5 Cu. Yds. 1330
 C= 1774.1 Cu. Yds.

F= 253.4
 C= 450.7
 1340
 1335
 8400
 211+20
 F= 1092.6 Cu. Yds. 1330
 C= 1613.0 Cu. Yds.

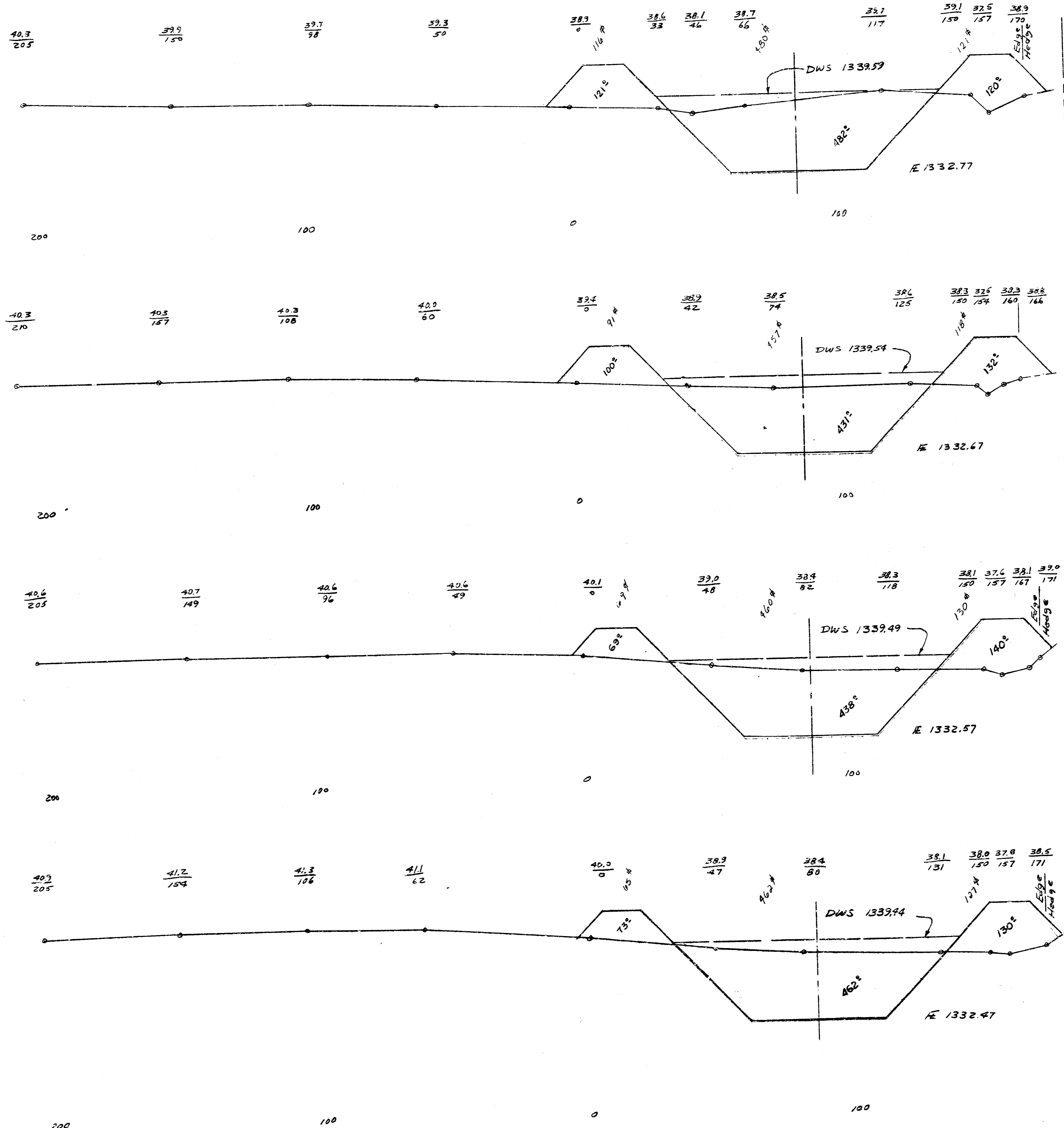
F= 310.4
 C= 421.4
 1340
 1335
 7400
 210+20
 Base Line 2
 F= 1090.7 Cu. Yds
 C= 1557.4 Cu. Yds.



STORM WATER DRAIN NO. 19
PROJECT NO. DBN 057-039

9
14
10

1340
1335
1330
1340
1335
1330
1340
1335
1330
1340
1335
1330



A: 237 #
C: 480 #

18+00
221+20

F = 825.9 Cu. Yds.
C = 1735.2 Cu. Yds.

A: 209 #
C: 457 #

17+00
220+20

F = 755.6 Cu. Yds.
C = 1698.1 Cu. Yds.

F: 179 #
C: 460 #

16+00
219+20

F = 729.1 Cu. Yds.
C = 1707.4 Cu. Yds.

F: 172 #
C: 462 #

15+00
218+20

F = 777.8 Cu. Yds.
C = 1681.5 Cu. Yds.

300

300

100

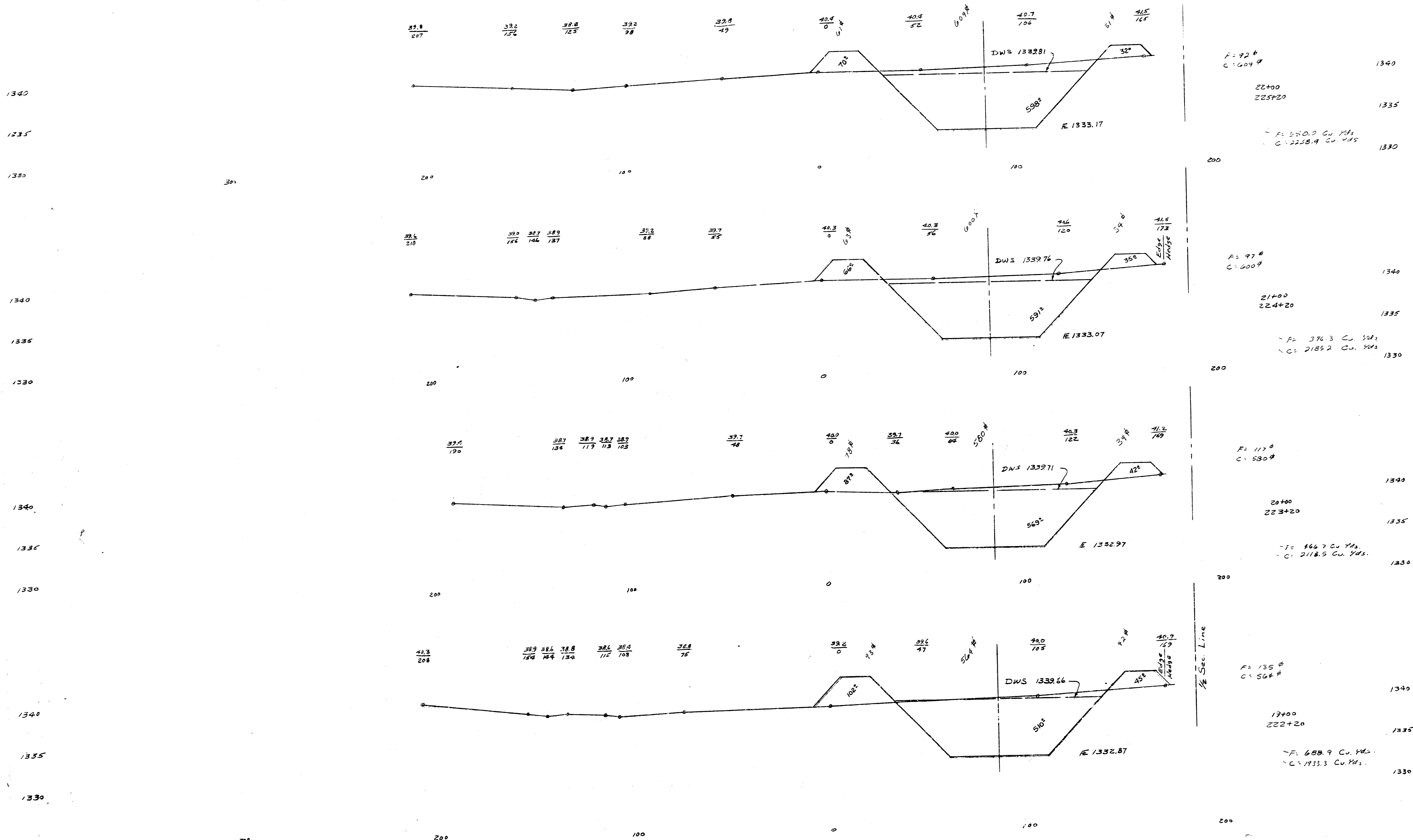
0

100

200

STORM WATER DRAIN NO. 19
PROJECT NO. 1BKD574089

10/15

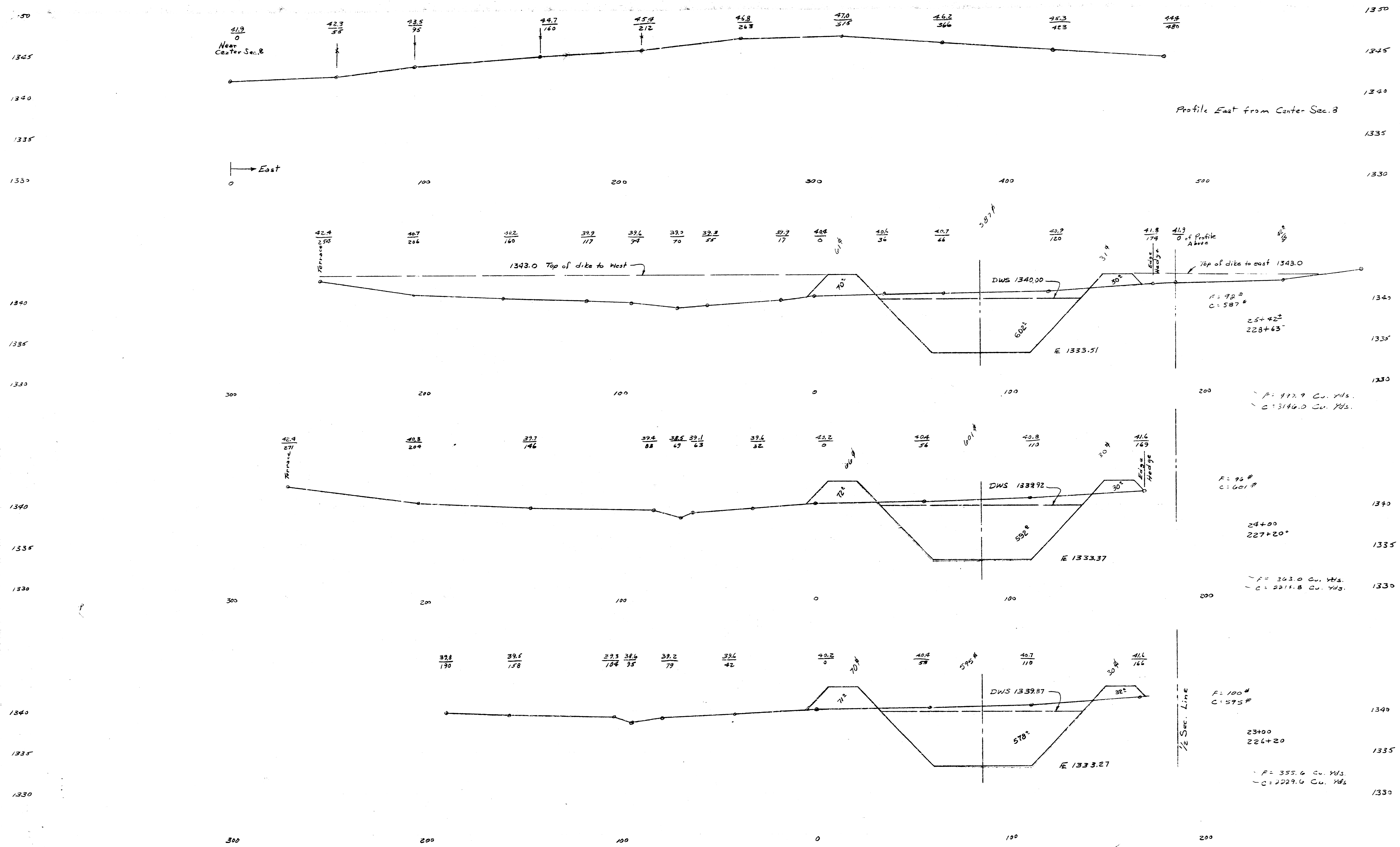


F = 92 #
C = 604 #
1340
22+00
225+20
1335
F = 550.0 Cu Yds
C = 2228.9 Cu Yds
1330

F = 97 #
C = 600 #
1340
21+00
224+20
1335
F = 376.3 Cu Yds
C = 2185.2 Cu Yds
1330

F = 117 #
C = 530 #
1340
20+00
223+20
1335
F = 466.7 Cu Yds
C = 2118.5 Cu Yds
1330

F = 135 #
C = 564 #
1340
17+00
222+20
1335
F = 688.9 Cu Yds
C = 1933.3 Cu Yds
1330



Total Fill 15,560.8 Cu. Yds.
 Total Cut 51,338.7 Cu. Yds.

STORM WATER DRAIN NO. 19
 PROJECT NO. DBRD574089

FILMED FROM THE BEST AVAILABLE COPY

145
Sta. 3+80 West
140
9.0 x 30

145
Sta. 3+50 West
140
19.0 x 50

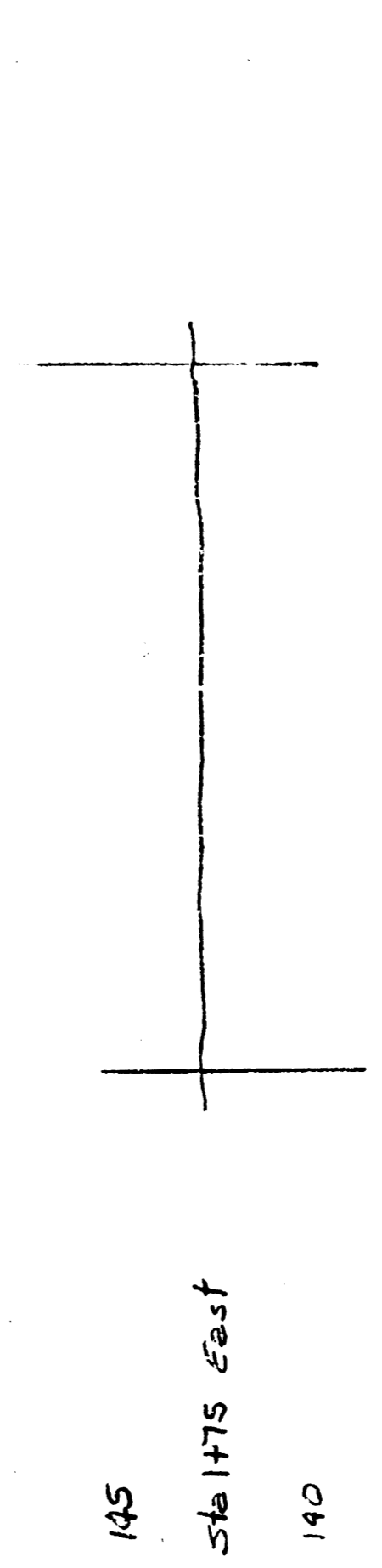
145
Sta. 3+00 West
140
40.0 x 50

145
Sta. 2+50 West
140
66.0 x 50

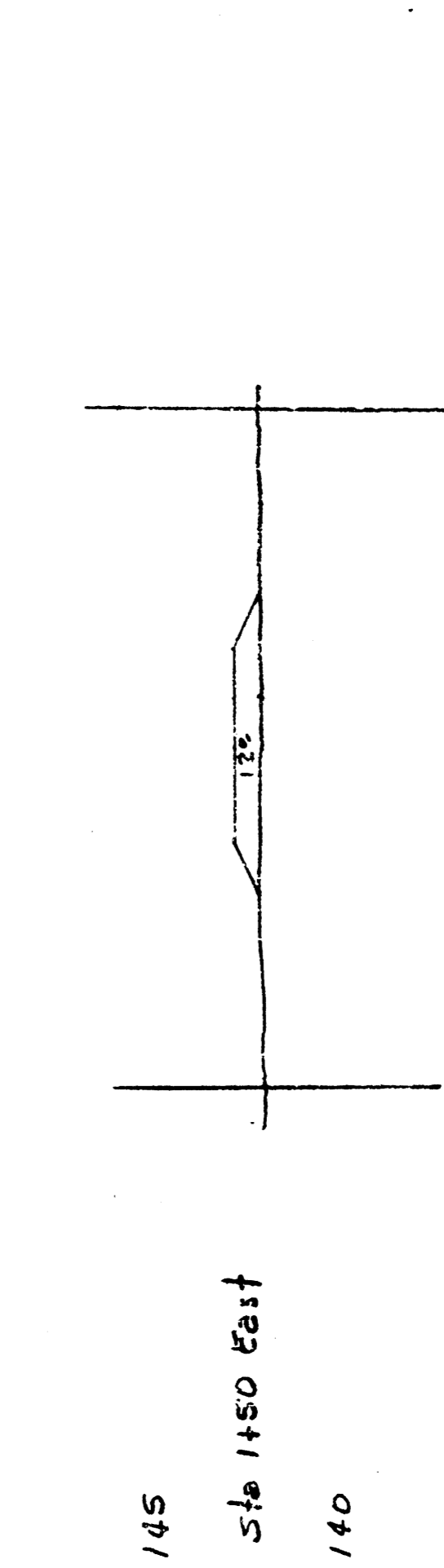
145
Sta. 2+00 West
140
93.5 x 50

145
Sta. 1+60 West
140
91.5 x 50

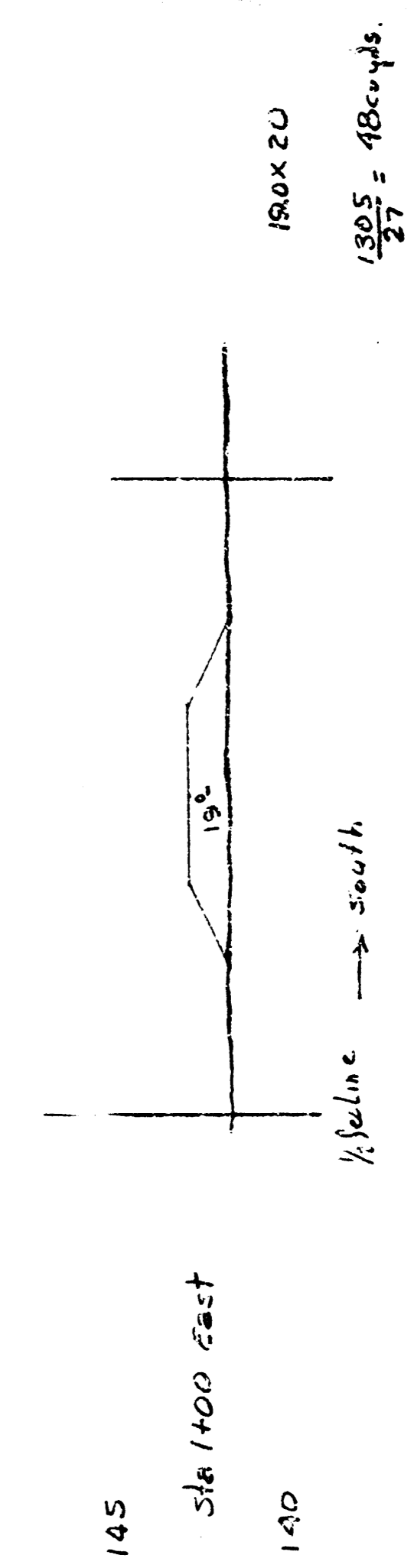
145
Sta. 1+00 West
140
17400.645 cu yds
74 x 20



145
Sta. 1+75 East
140
6.0 x 25



145
Sta. 1+50 East
140
15.5 x 50



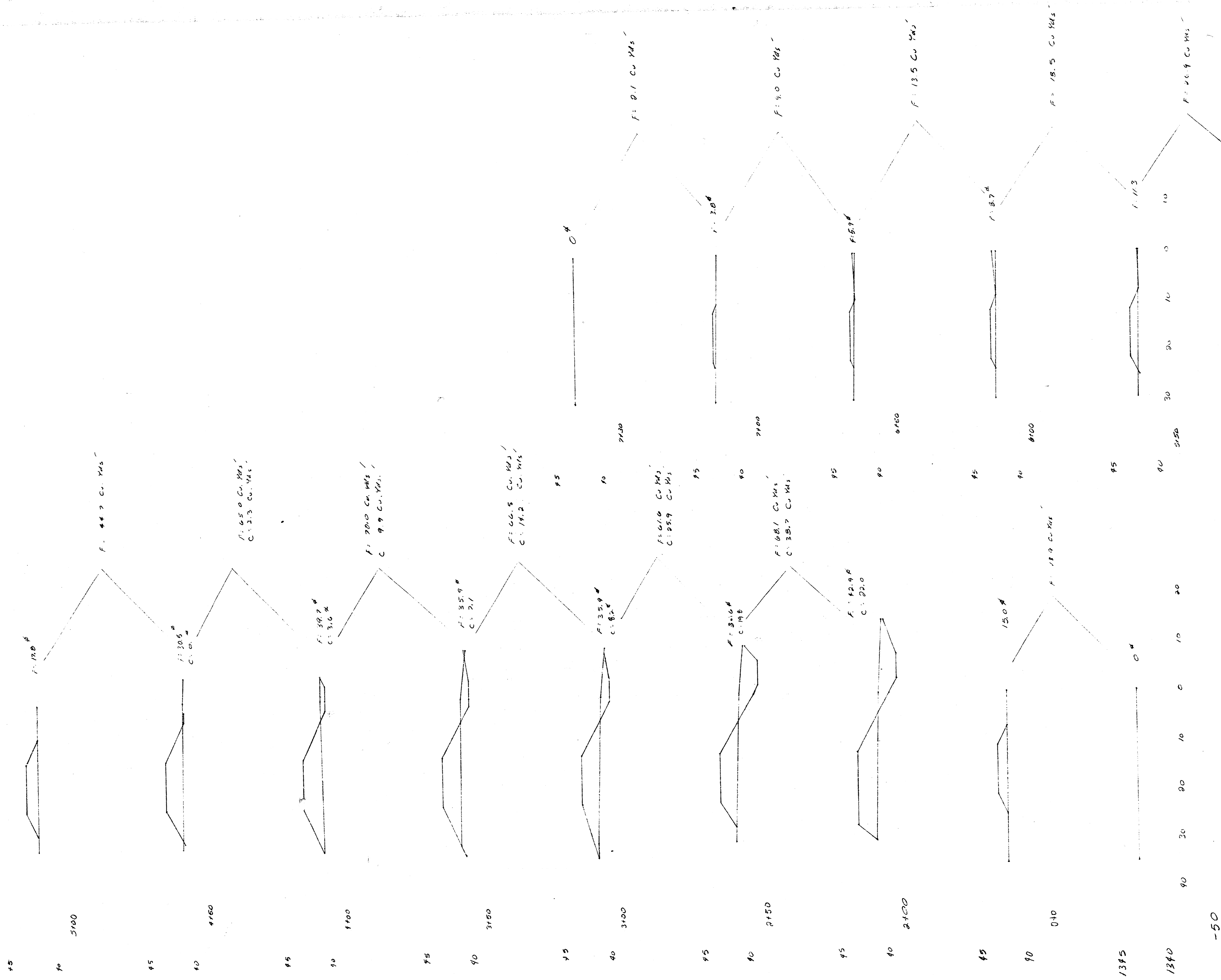
145
Sta. 1+00 East
140
15.0 x 20

130.5 = 18 cu yds
Wing Levee to East
Sta. 0+00 = Channel
Wing Levee to West
West Link-Bellings Tributary
Cowden Street

Street 1/4
40 30 20 10 0 1/2 Sec line
South ←
Wing Levee to West
Sta. 0+00 = Channel

STORM WATER DRAIN NO. 19
PROJECT NO. DBKD574089

FILMED FROM THE BEST AVAILABLE COPY



FILL 159.8 Cu Yds.
 CUT 90.0 Cu Yds.
 LEVEE AREA
 Prelim. & Final Cross Sections