

COUNTY	STATE	PROJECT NUMBER	FISCAL YEAR	SHEET NO.	TOTAL SHEETS
SEDGWICK	KANSAS	472-84400	2007	2	17

GENERAL NOTES

General
All break away sign post systems supplied shall be NCHRP-350 compliant.

Sign posts shall be installed plumb to the ground. Leaning posts will not be accepted. The completed sign/post systems shall meet the requirements as detailed on this sheet and as required by the manufacturer of the system.

Telescoping posts and 12" tall sign blanks shall be used at intersections having at least one county maintained road. Post shall have a length of 10 feet.

Channel posts and 9" tall blanks shall be used at township intersections and all interior subdivision intersections. Post shall be 8'-0" long behind Curb & Gutter, and 10'-0" long when used in ditch section.

Materials not meeting the requirements herein shall be rejected.

Sheeting
Retroreflective sign sheeting shall conform to the requirements for ASTM Type III - Prismatic sheeting as defined in ASTM D-4956-01 and the Sedgwick County specification "Microprismatic Lens Retroreflective Sign Sheeting (ASTM Type III - Prismatic)."

Blanks
The aluminum sign blanks shall conform to ASTM B-209, alloy 6061-T6 or 5052-H38. Blanks shall have a thickness of 0.080". All dimensions shall be as shown in these details.

Hardware
Bolts, nuts, spacers and rivets shall meet post manufacturer's requirements for proper operation of the break away systems supplied. All hardware shall have a corrosion resistant finish per post manufacturer's requirements.

Sign Legend
The street name sign legend(s) shall conform to the dimensions on this sheet. Any deviation shall be approved by Sedgwick County Public Works prior to fabrication. All layouts shall be submitted for approval prior to fabrication.

Posts-Telescoping (County)
The steel posts, bases and sleeves shall conform to the standard specifications for cold rolled carbon sheet steel, commercial quality, ASTM A-446, Grade A. Dimensions of the components shall be as detailed on this sheet. All posts shall be galvanized.

The yield strength of the post, sleeve and anchor shall be 52,000 psi. The posts, sleeve and anchor shall be manufactured from hot dipped galvanized steel with 1.25 ounce coating conforming to ASTM A-525, also referred to as G-90. Both interior and exterior faces of the components shall be galvanized.

The post shall be flush or recessed down below the top of the sign.

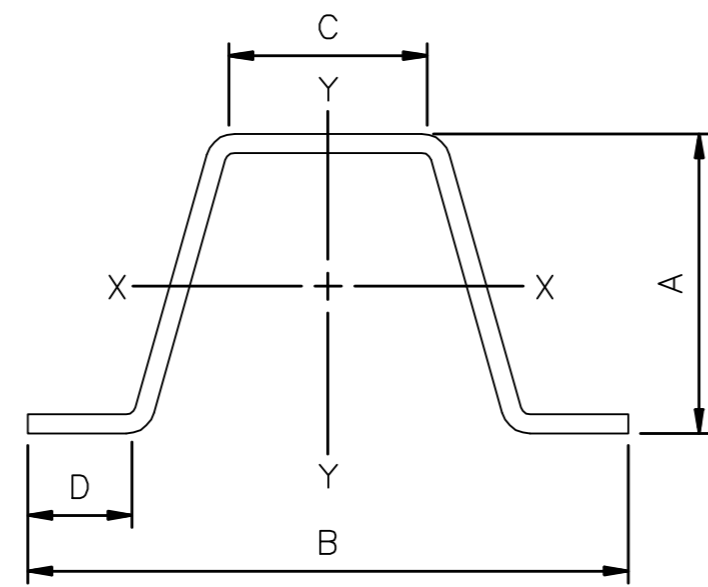
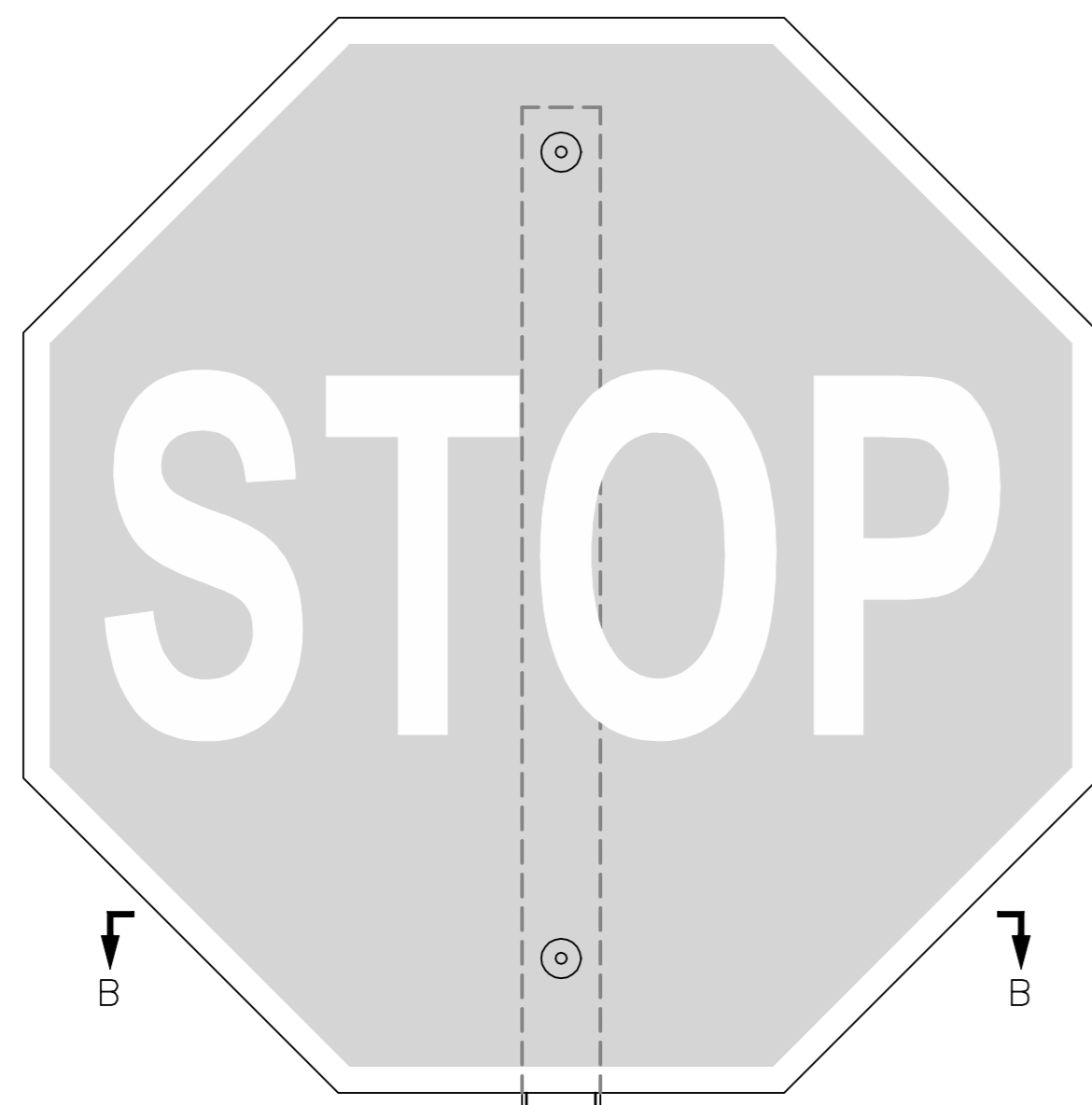
Posts-Channel (Township)

Material: Posts shall be produced from steel according to ASTM A-499.

Finish: Base posts and sign posts shall be finished with either a baked enamel paint (green) or galvanized per ASTM A-123.

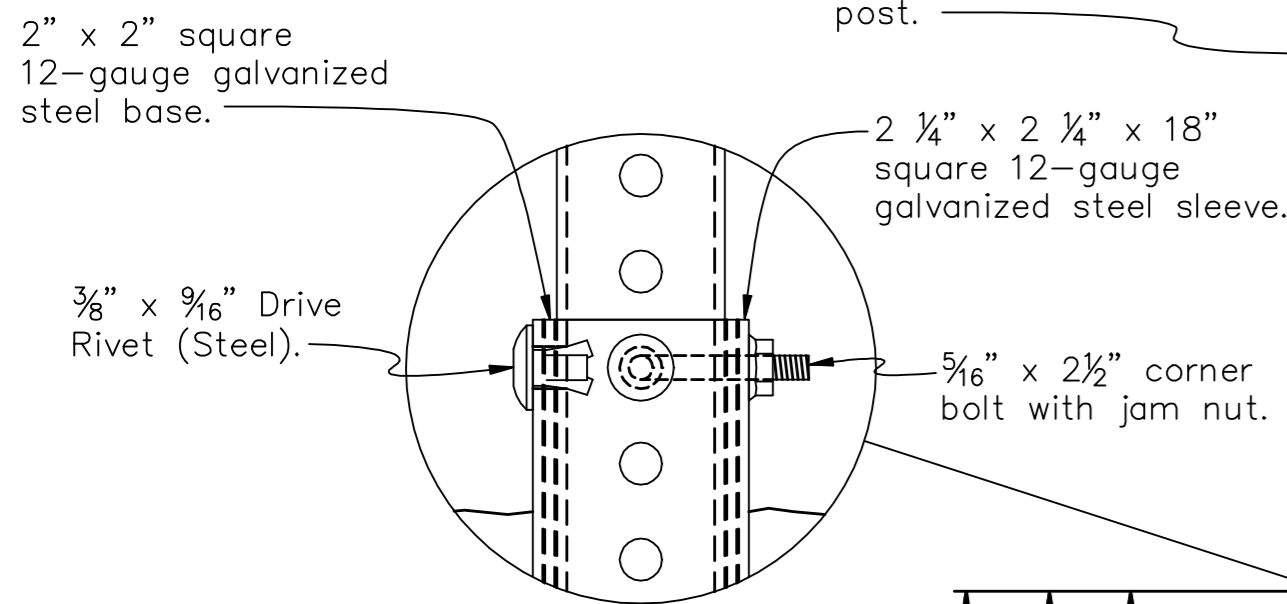
Base Post: The weight of each base post before punching shall be 2.00 to 2.50 lbs./ft. The base post shall be punched with 18 - 0.375" (3/8") diameter holes on 1.00" centers with the first hole 1.00" from the top.

Sign Post: The weight of each sign post before punching shall be 2.00 to 2.50 lbs./ft, and the length shall be 10 feet. The sign post shall be punched with 0.375" (3/8") diameter holes on 1.00" centers, full length. The first and last hole shall be 1.00" from the ends of the post.

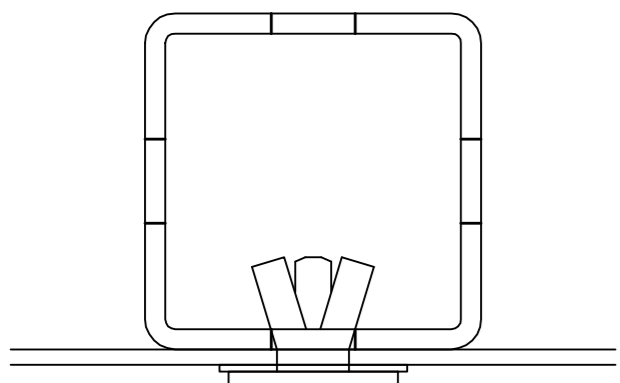


Weight lbs./Ft.	Dimensions				Area IN ²	X-X Axis +		Y-Y Axis	
	"A"	"B"	"C"	"D"		I(IN ⁴)	S(IN ³)	I(IN ⁴)	S(IN ³)
2.00	1.516	3.125	1.250	.625	.59	.18	.23	.42	.27
2.50	1.562	3.125	1.250	.625	.74	.24	.31	.55	.35

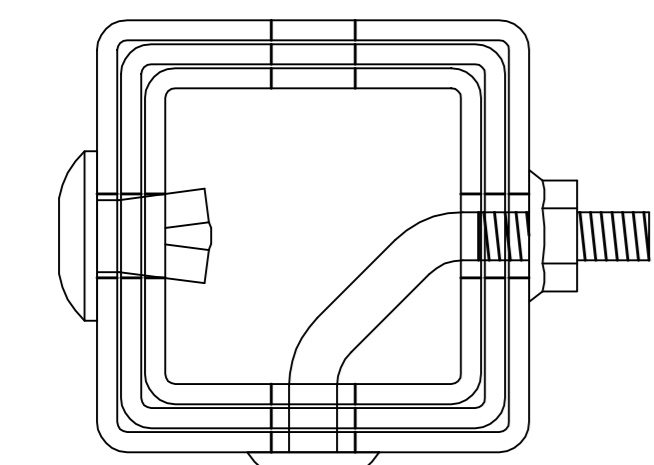
NOTE:
Telescoping steel posts shall be used for all signs to be maintained by Sedgwick County. Channel posts shall be used for all signs to be maintained by a Township.



Ground line



SECTION B-B

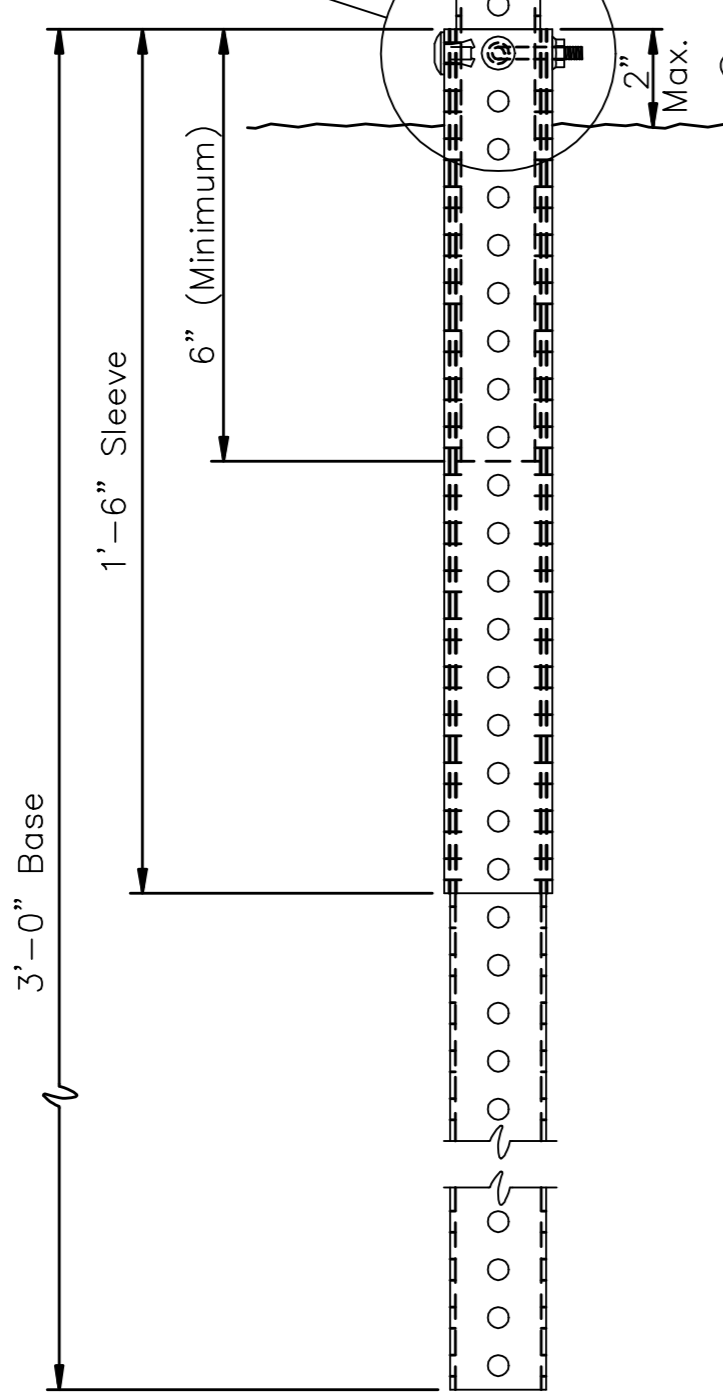


SECTION A-A

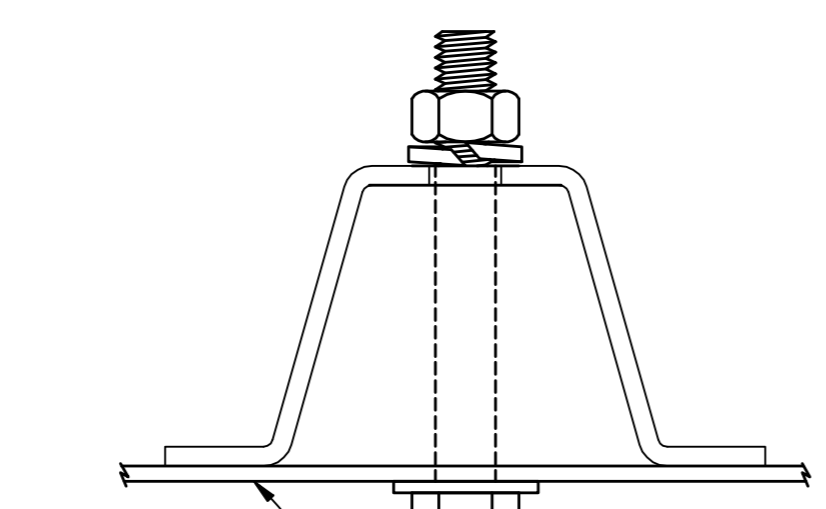
1 1/4" x 1 1/4" x 10'-0" square 12-gauge galvanized steel post.

2 1/4" x 2 1/4" x 18" square 12-gauge galvanized steel sleeve.

5/16" x 2 1/2" corner bolt with jam nut.

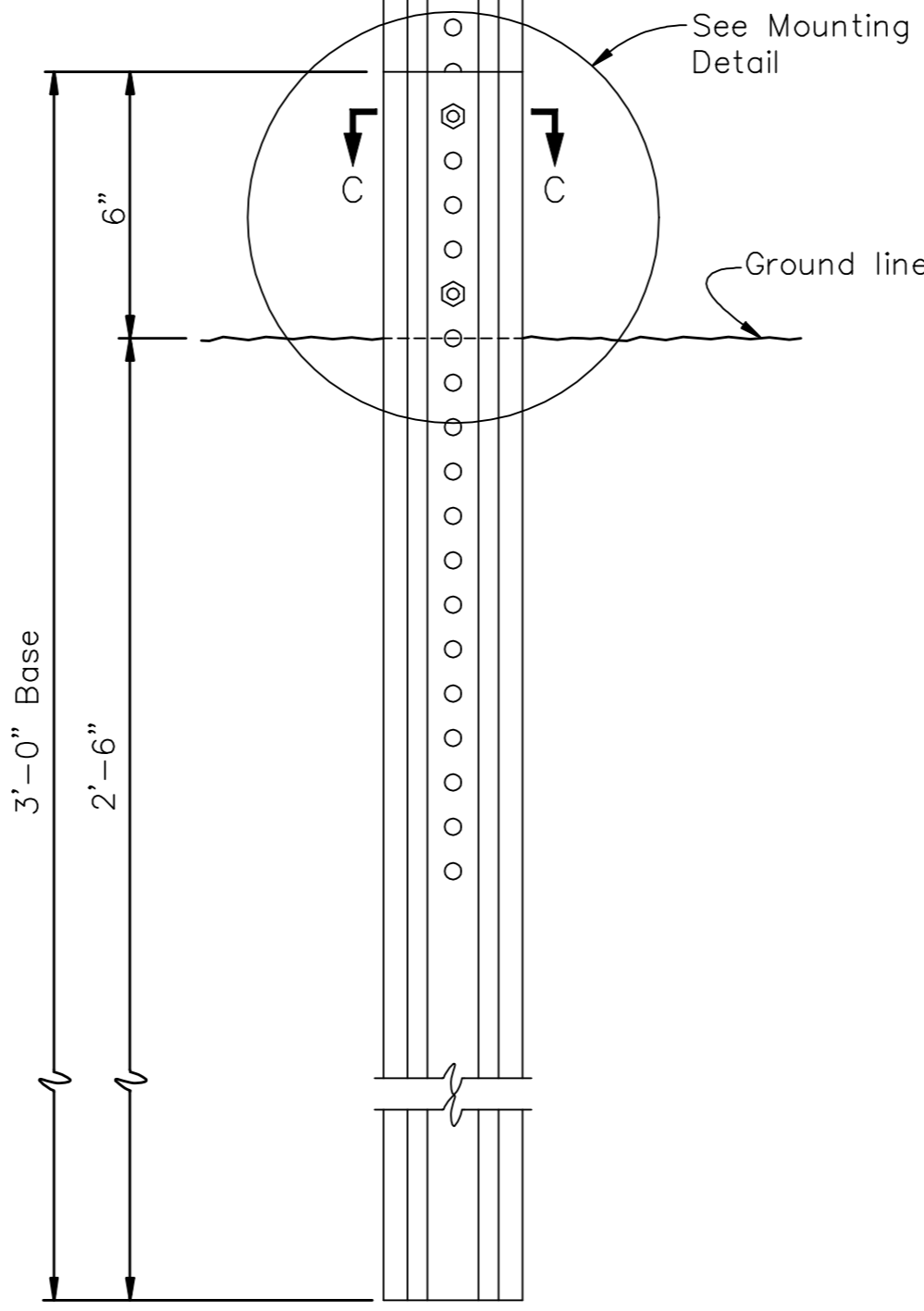


TELESCOPING BREAK-AWAY SIGN POST SYSTEM
(County Maintained Signs)

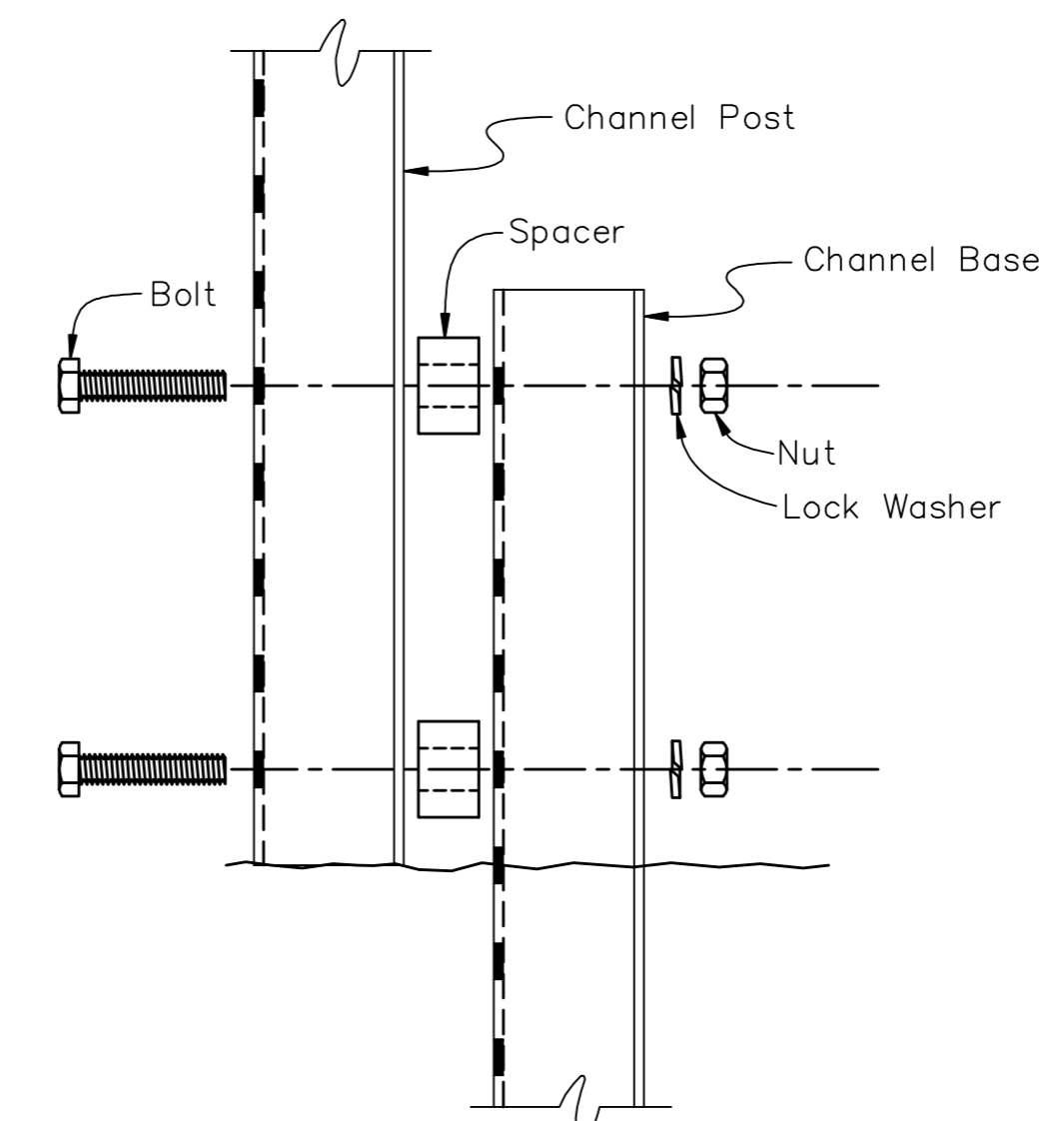


SECTION D-D

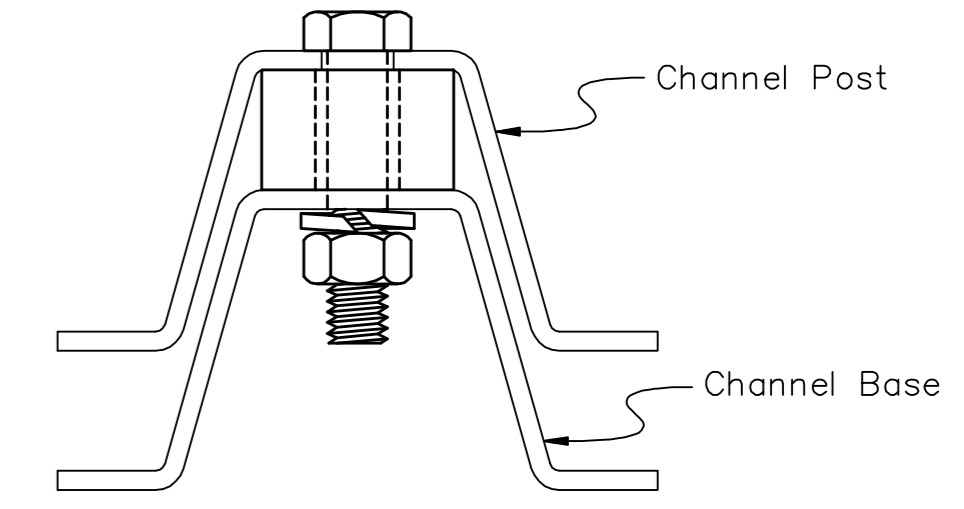
NOTE:
Bases and sleeves shall be driven using an appropriately sized drive cap or hammer bit to minimize damage to top edges.



CHANNEL BREAK-AWAY SIGN POST SYSTEM
(Township Maintained Signs)



MOUNTING DETAIL



SECTION C-C

NOTE: Street Signs shall be City of Wichita standards. All others shall be Sedgwick County Standard.

Rev. Date	Description	By	Chk
	BLACKSTONE/CHERYL'S HOLLOW 2ND ADDITION		
TRAFFIC SIGN INSTALLATION DETAILS			
TE 1-0			
PREPARED BY SEDGWICK COUNTY PUBLIC WORKS HIGHWAY DEPARTMENT			
DAVID C. SPEARS, P.E.		DIRECTOR/COUNTY ENGINEER	
REVISED	SCALE	DESIGNED	DRAWN
	NONE	M.R.B.	D.R.S.
	DATE	1/2003	4/2005
		4/2005	M.R.B.
			2