

CENTRAL

NOTE: The Park Department will relocate the oak tree that is located on the east side of the creek.

Point Repair:
Remove and replace 110 lf of 8" pipe, from MH 5847-030 to 110 lf east of MH 5847-030. Includes removal of existing concrete encasement and cut-off wall (cannot verify if there is a cut-off wall at this site / no available microfilm records)

Install Concrete Encasement with Cut-Off Wall:
Install a 15 ft wide encasement/cut-off wall, centered on the creek (see detail sheet)

MH # 5847-030
Replace Manhole Frame & Cover
Approx MH depth = 11.1 ft

Construct Outside Drop (for line coming into manhole from the east)

451 N. Brookside

OAKWOOD

5805 E. Central

450 N. Brookside

OAKWOOD

MH # 5847-039
5818 E. Avalon
Approx depth = 11.9 ft

8"
350'

402 N. Brookside

5818 E. Avalon

AVALON

BROOKSIDE

Drainage Ditch

BROOKSIDE

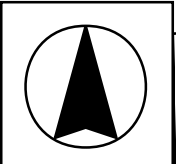
255'

250' 21"

164'

15"

90'



OAKWOOD

OAKWOOD

5847-030

Location

BROOKSIDE

BROOKSIDE

AVALON

Aerial View



Television Inspection Master Report

9/11/2007
10:17:48AM

US Manhole: 5847-039 5818 AVALON RD Date Insp: 5/2/2007 Basin: E04G
DS Manhole: 5847-030 435 N BROOKSIDE PKWY Dir Televised: Upstream To Downstream

Pipe Information

Shape: Round Length Status: Project No.: F-207
Dia/Ht Width: 8 Material: VCP Index: Surface: Rear Easement
Length: 350.9 Slope: 0.561

Inspection Information

Crew: 694 Percent Full: Tape ID: DVD #0276
Weather: Sunny Purpose: TV Existing Line Counter Start:
Surface Cond: Trees & Fences Flow: Normal Flow Counter Stop:

Obs. #	VTR Counter	Distance	Location	Description	Obs Rating	Obsrvd (gpm)	Est. (gpm)	Ratings Struct	Clean	Remain (gpm)
1		0.0	US Manhole	5847-039	1		0.000	0	0	0.000
2		15.4	South	Wye Service	1		0.000	0	0	0.000
5818 EAST AVALON				4" Clay Wye Connection						
3		18.2	Upper Right	Crack-Horizontal	3		0.004	5	0	0.004
4		18.3	North	Wye Service	1		0.000	0	0	0.000
5819 EAST OAKWOOD				4" Clay Wye Connection						
5		55.1	Upper Right	MINERAL DEPOSITS	4		0.000	0	0	0.000
6		66.1		Sealed Off Wye South	1		0.000	0	0	0.000
				4" Clay Wye Connection						
7		69.6	North	Wye Service	1		0.000	0	0	0.000
5811 EAST OAKWOOD				4" Clay Wye Connection						
8		72.5	Upper Right	MINERAL DEPOSITS	3		0.000	0	0	0.000
9		75.9	Crown	Crack-Horizontal	3		0.004	5	0	0.004
10		77.1	Crown	Crack-Horizontal	4		0.008	10	0	0.008
11		80.6	Crown	Crack-Horizontal	3		0.004	5	0	0.004
12		84.7	South	Break-In Conn	1		0.001	0	0	0.001
5810 EAST AVALON				4" Break In Connection						
13		86.8	Crown	MINERAL DEPOSITS	3		0.000	0	0	0.000
14		89.8	Crown	Crack-Horizontal	3		0.004	5	0	0.004
15		129.9	South	Break-In Conn	1		0.001	0	0	0.001
402 NORTH BROOKSIDE				4" Predco Saddle						
16		133.6		Sealed Off Wye North	1		0.000	0	0	0.000
				4" Clay Wye Connection						
				MINERAL DEPOSITS						
17		135.1	Crown	Crack-Horizontal	3		0.004	5	0	0.004
18		137.3	North	Break-In Conn	3		0.004	2	0	0.004
420 NORTH BROOKSIDE				4" Break In Connection	OFFSET					
19		138.1	Crown	Crack-Horizontal	3		0.004	5	0	0.004
20		145.5	Crown	Crack-Horizontal	3		0.004	5	0	0.004
21		167.3	Upper Right	MINERAL DEPOSITS	4		0.000	0	0	0.000
22		167.3		Stopped Inspection	5		0.000	0	0	0.000
DUE TO MINERAL DEPOSITS WE WILL REVERSE SET-UP										

4-3

Television Inspection Master Report

9/11/2007
10:17:48AM

US Manhole: 5847-039 5818 AVALON RD Date Insp: 5/3/2007 Basin: E04G
 Dir Televised: Downstream To Upstream
 DS Manhole: 5847-030 435 N BROOKSIDE PKWY

Pipe Information

Shape: Round Length Status: Project No.: F-207
 Dia/Ht Width: 8 Material: VCP Index: Rear Easement
 Length: 350.9 Slope: 0.561 Surface:

Inspection Information

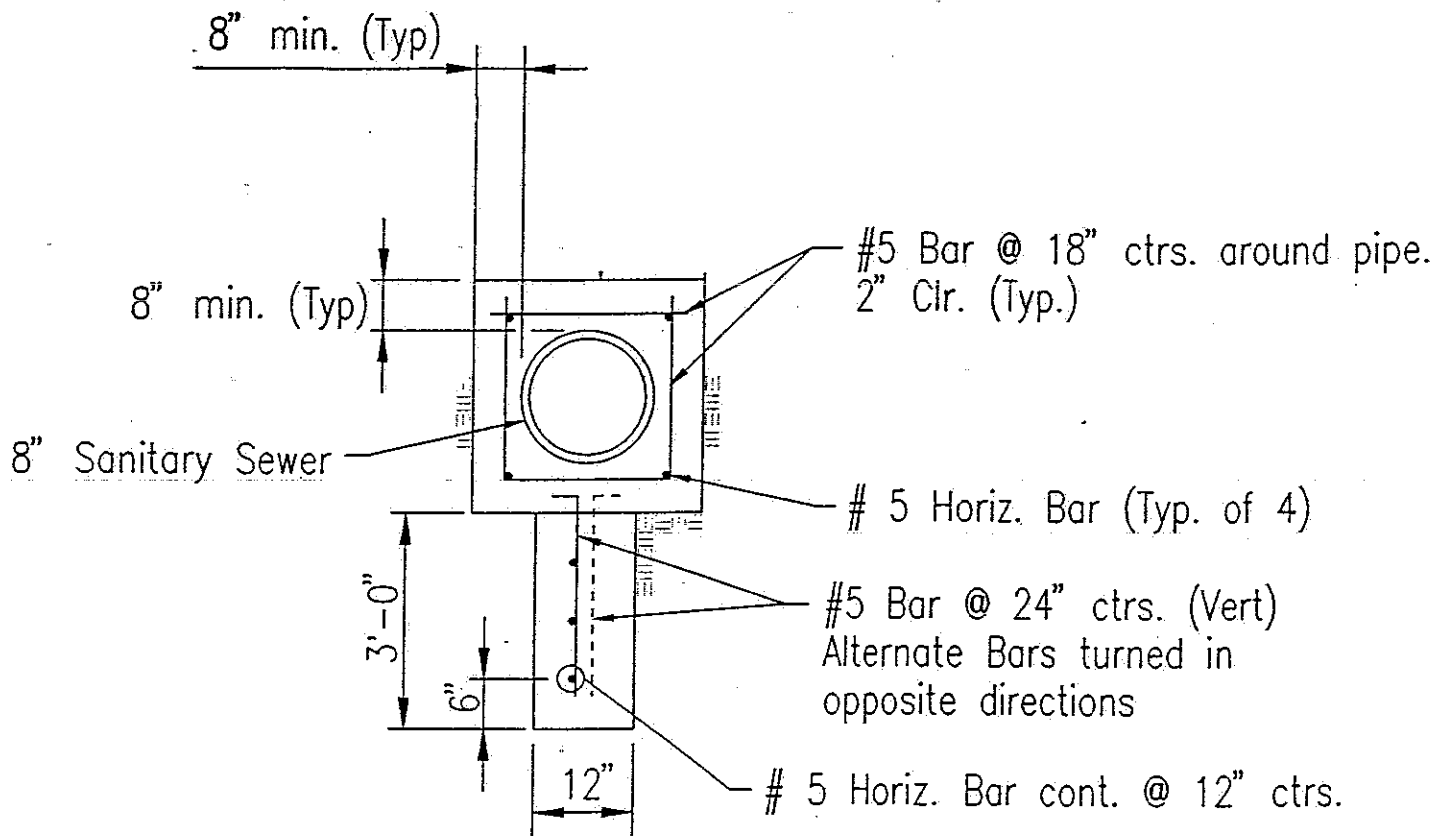
Crew: 694 Percent Full: Tape ID: DVD #0276
 Weather: Sunny Purpose: TV Existing Line Counter Start:
 Surface Cond: Trees & Fences Flow: Normal Flow Counter Stop:

Obs. VTR

#	Counter Svc. Address	Distance	Location	Description	Obs Rating	Obsrvd (gpm)	Est. (gpm)	Ratings		
								Struct	Clean	Remain (gpm)
1		0.0	DS Manhole 5847-030		1		0.000	0	0	0.000
			INSIDE DROP MH / TELEVISIONING AGAINST THE FLOW							
			Continued Inspection / WE WILL TELEVISION APROX 184 FT TO FINISH LINE							
		56.0	Offset Joint / Pipe goes uphill, fairly steep angle							
		60.0	Offset Joint / Pipe levels out again							
3		66.6	(water standing)	Sag Begins	3		0.000	5	0	0.000
4		93.4	Crown	MINERAL DEPOSITS	3		0.000	0	0	0.000
5		96.5	Invert	Sag Ends	1		0.000	1	0	0.000
6		97.0	Lower Left	MINERAL DEPOSITS	3		0.000	0	0	0.000
7		98.6	Invert	Sag Begins	3		0.000	5	0	0.000
8		102.0	Camera Lens Submerged	(3/4 tile flow)	4		0.000	10	0	0.000
9		106.5	Camera Lens Emerged		2		0.000	2	0	0.000
10		106.7	Crown / Cracks & Mineral	Deposits	4		0.008	10	0	0.008
11		108.7	Invert	Sag Ends	1		0.000	1	0	0.000
12		169.5	Crown	Crack-Horizontal	3		0.004	5	0	0.004
13		184.2		Stopped Inspection	1		0.000	0	0	0.000

THIS WILL COMPLETE THE LINE SEGMENT

Need to replace the downstream 110 lf of pipe to correct the grade.



CONCRETE ENCASEMENT W/CUT-OFF WALL DETAIL



Standing in Brookside Street (west of the ditch), looking east. Manhole 5847-030 is painted there in the grass, just east of the curb line.

If the oak tree on the east side of the ditch has not been removed by the time construction is ready to begin, please contact LaDonna at 316-268-4555.