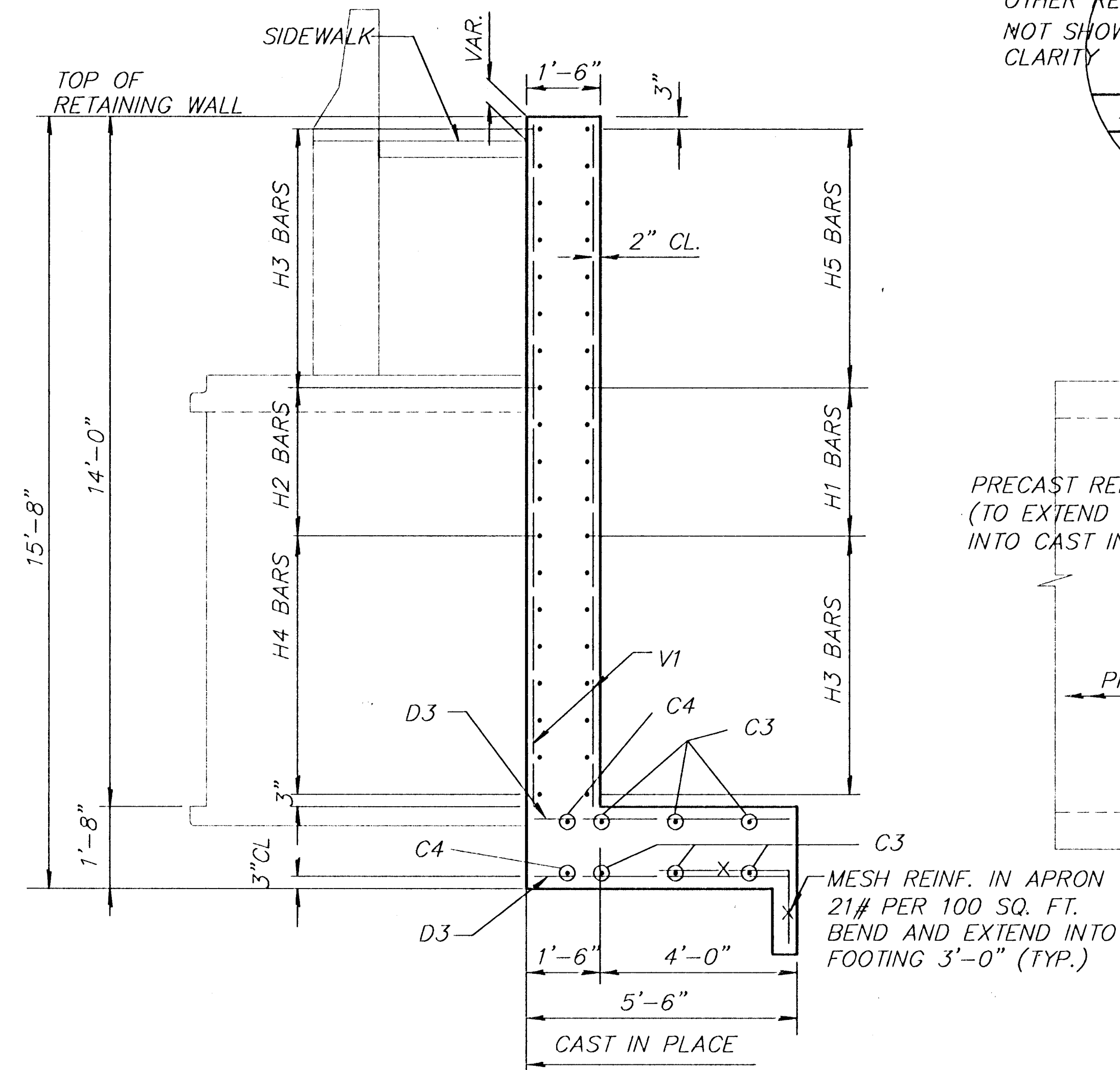
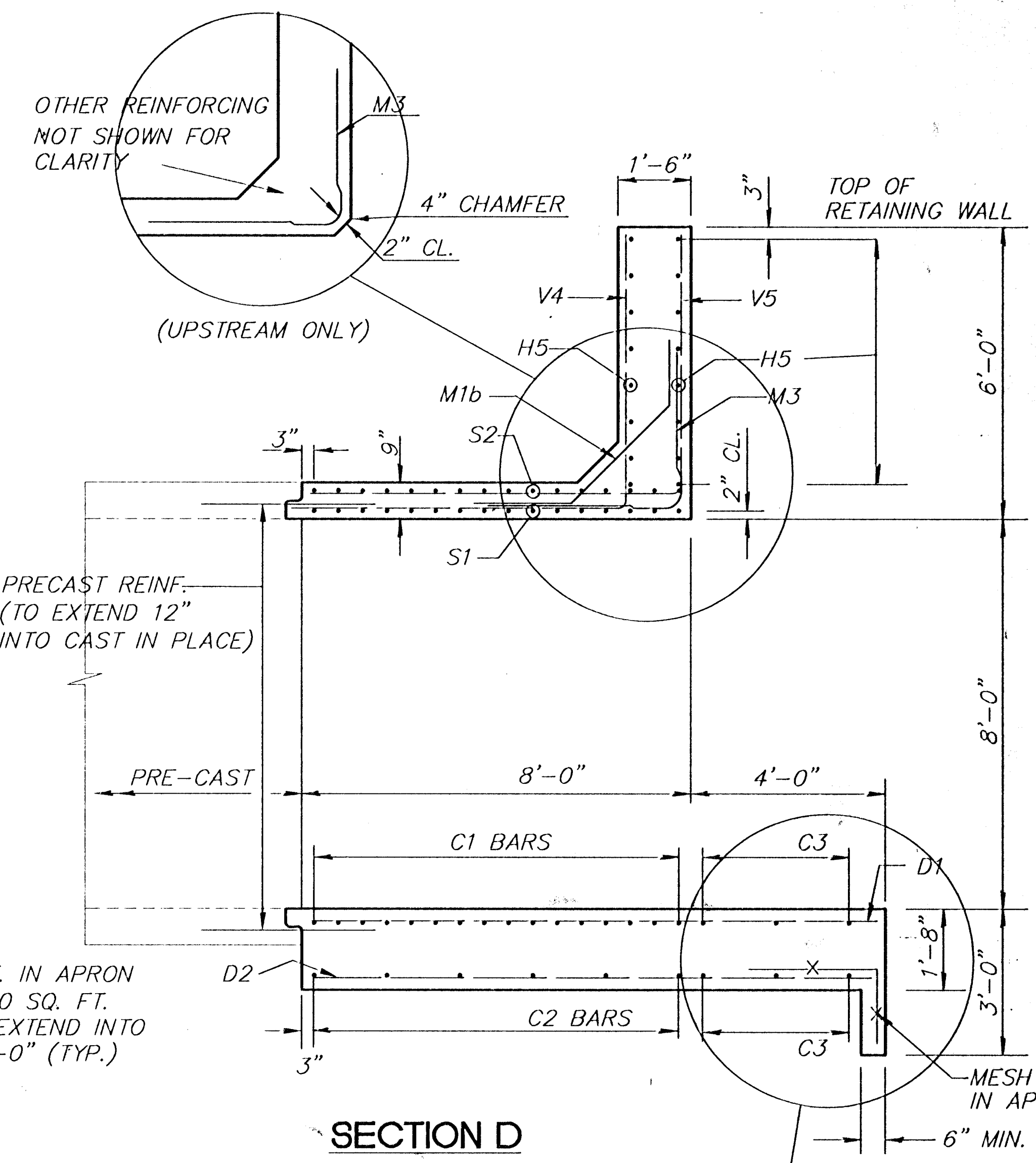


FOOTING FLOOR PLAN



SECTION C
WINGWALL



SECTION D
LONGITUDINAL RCB SECTION
(SHOWN DOWNSTREAM)

LEGEND

O.F. = OTHER FACE
E.F. = EACH FACE

<p>MID-KANSAS ENGINEERING CONSULTANTS, INC. 411 N. WEBB ROAD WICHITA, KS. 67206 316-684-9600</p>	<p>AREA "K" - 3RD STREET STORM WATER IMPROVEMENTS PROJECT NAME</p>		
	<p>12' X 8' R.C.B. DETAILS SHEET TITLE</p>		
	<p>JAH DESIGN BY:</p>	<p>DPG DRAWN BY:</p>	<p>KJS CHECKED BY:</p>
	<p>JUNE 1996 DATE</p>	<p>93031 JOB NO.</p>	<p>57 / 77 SHEET/OF</p>

G:\CIVIL\AREAK\RCB\93031\WW2