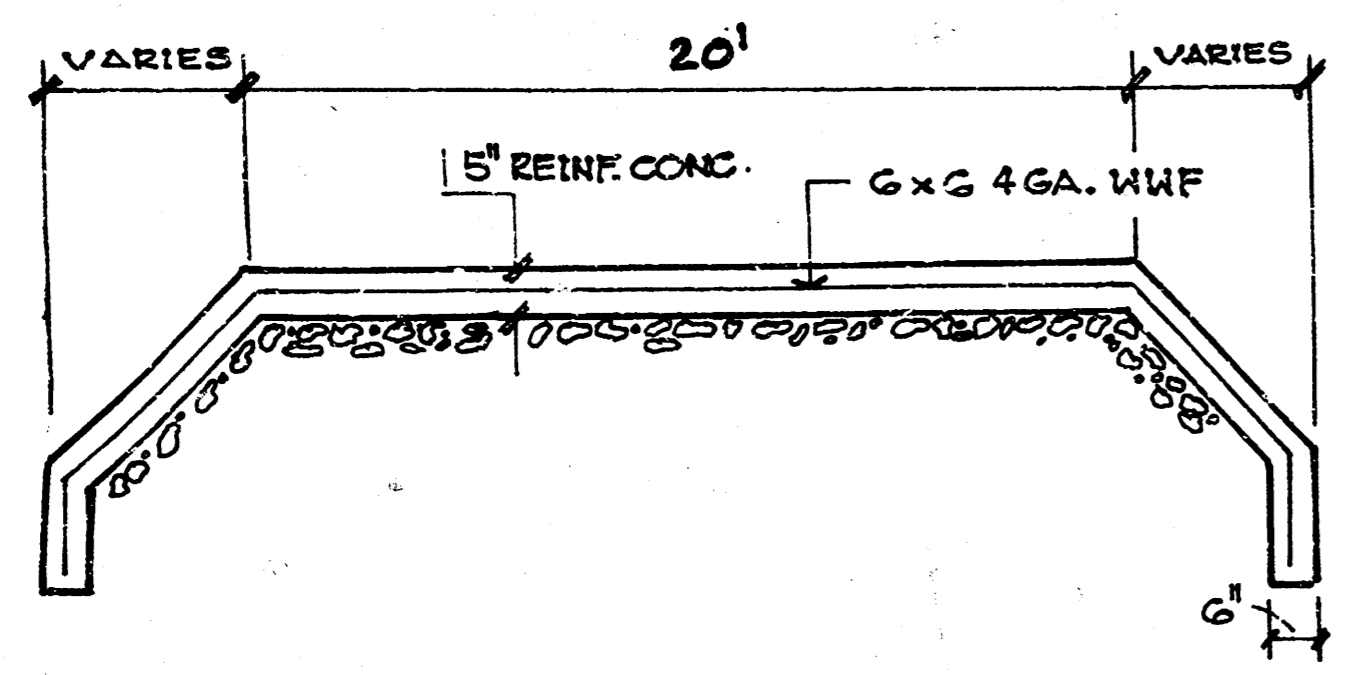
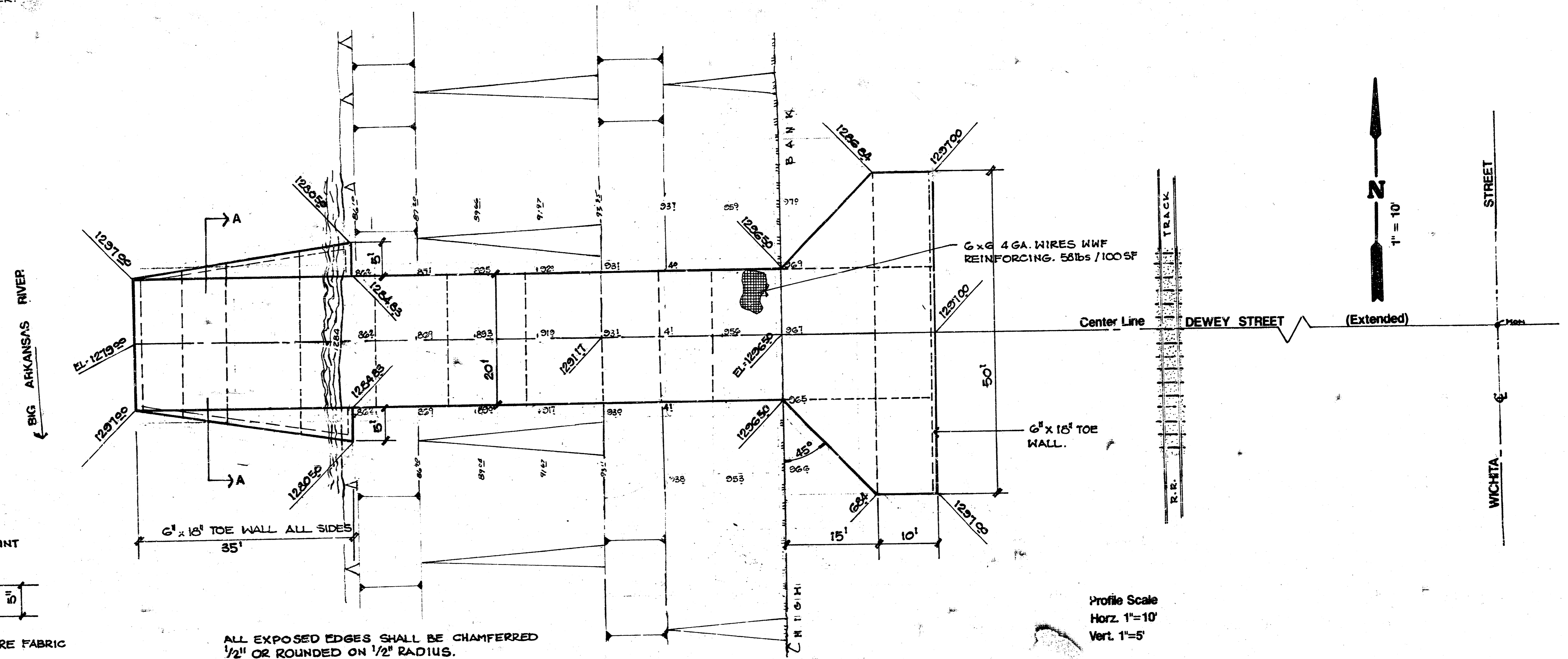
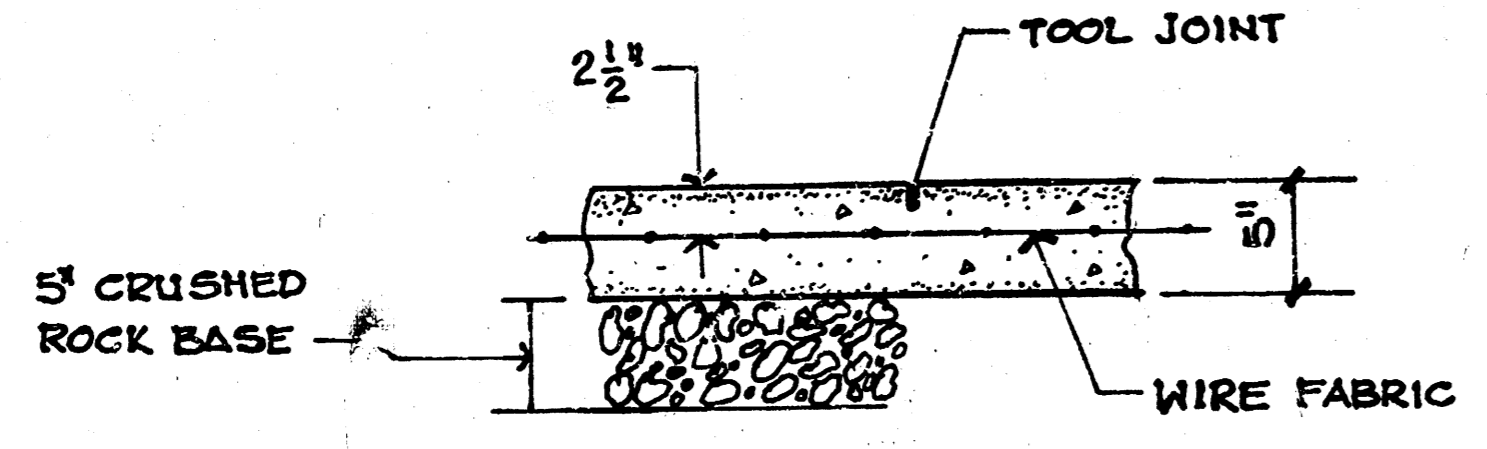


B.M. 1300.03 CITY STD. ON SIDEWALK N.E. CORNER
LEWIS ST. BRIDGE OVER BIG ARKANSAS RIVER.



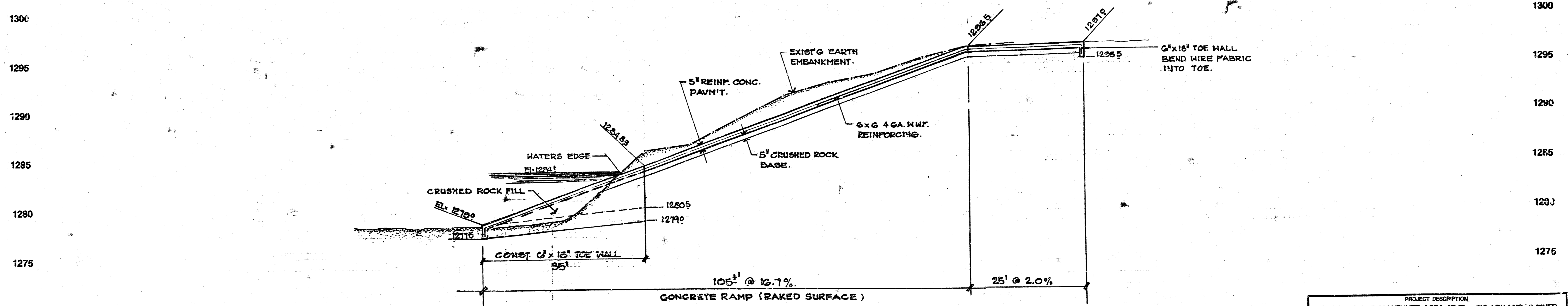
SECTION A - A
No Scale

POOL ELEVATION 1284



ALL EXPOSED EDGES SHALL BE CHAMFERED
1/2" OR ROUNDED ON 1/2" RADIUS.

Profile Scale
Horz. 1"=10'
Vert. 1"=5'



PROJECT DESCRIPTION
BOAT RAMP AND MANEUVER AREA AT THE BIG ARKANSAS RIVER
AND THE CENTER LINE OF DEWEY STREET EXTENDED.
INDEX NO. 130153