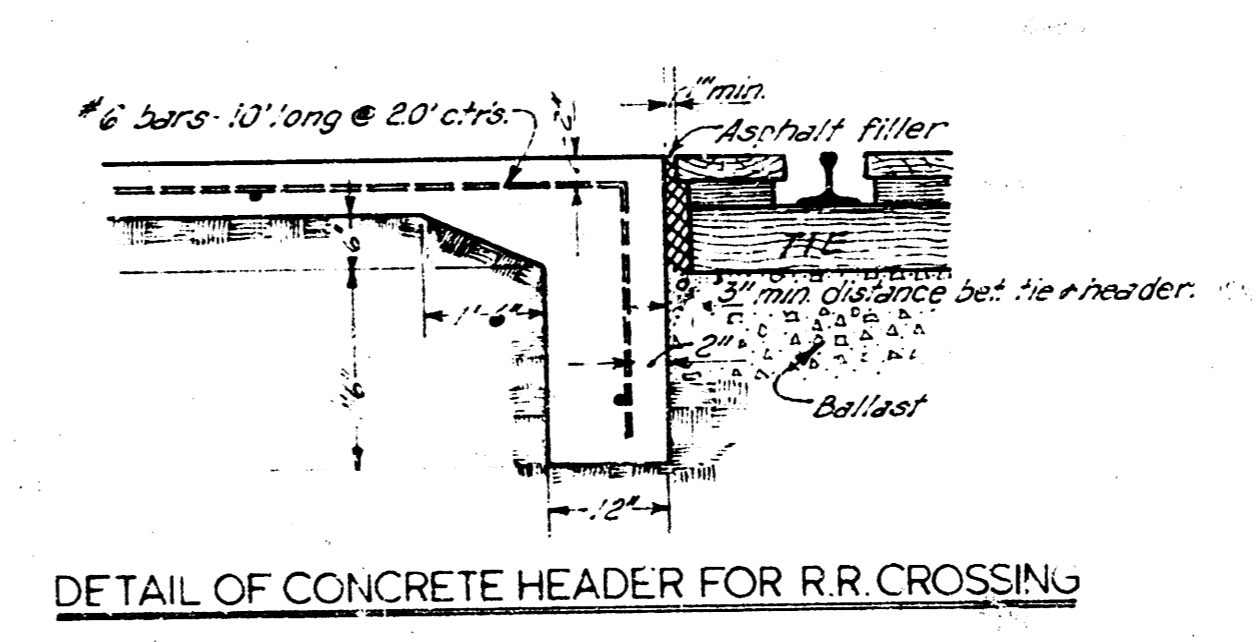
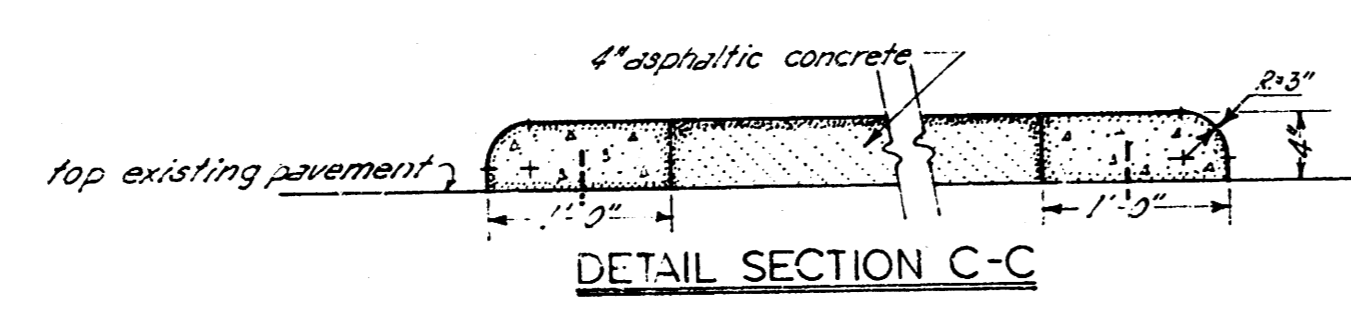
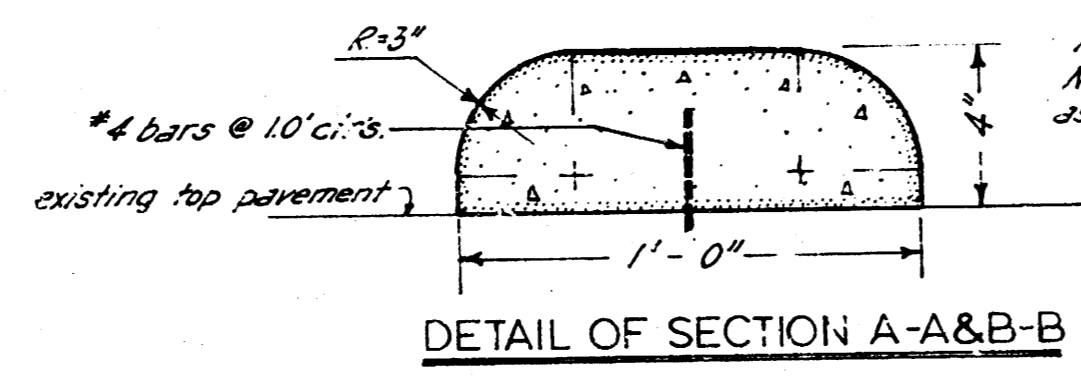


A. P. 3005 - A-B - 3.0.06.01 - 7/1/62



**RE-CONSTRUCTION  
MURDOCK & WASHINGTON INTERS.**  
 SL Murdock Avenue to 100' S of Murdock  
 8" Concrete curb with traffic islands  
 Dept. of Public Works - Engineering Division  
 CITY OF WICHITA, KANSAS  
 E. S. Smith City Engineer  
 Date - JULY 1962, Project No. C-72