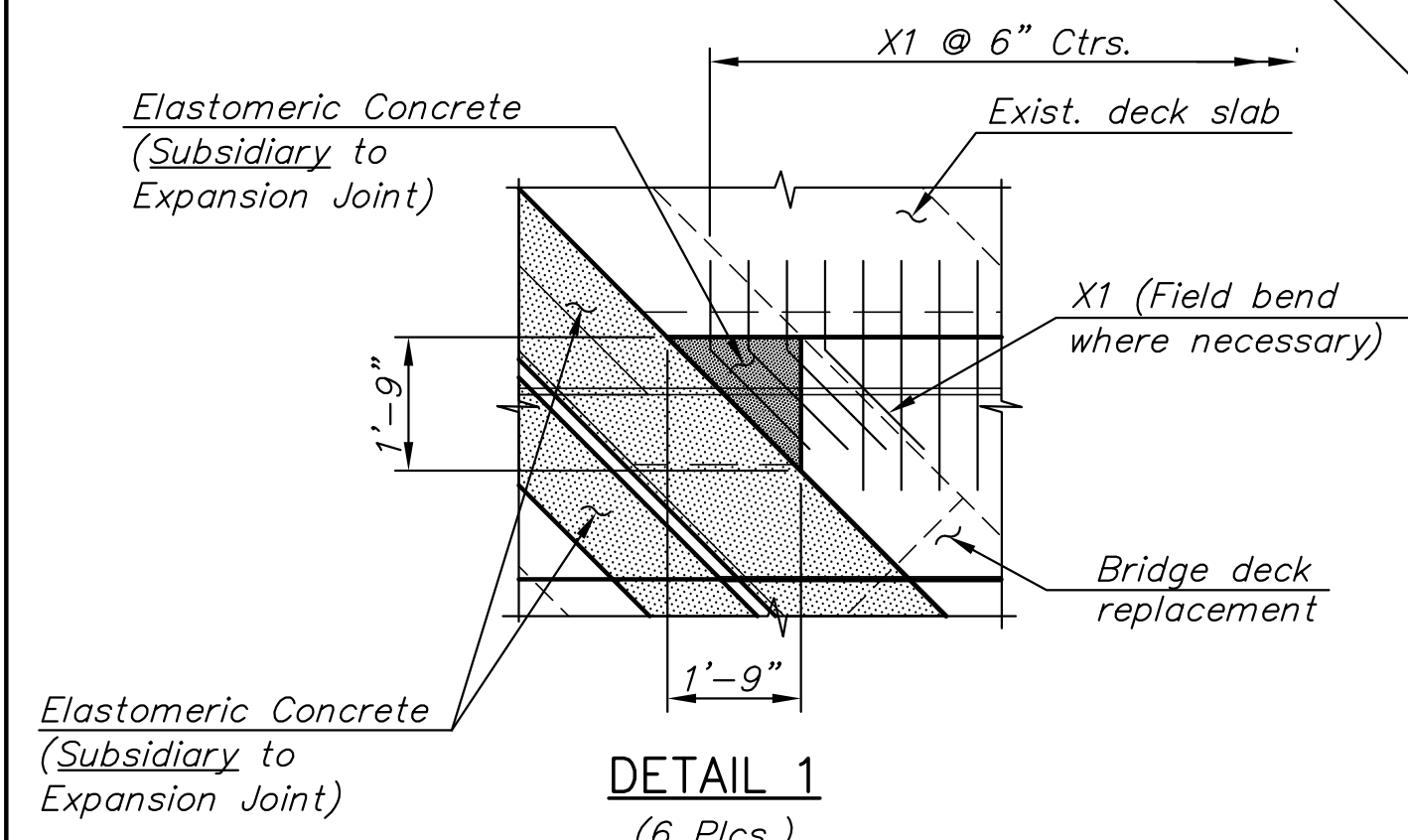
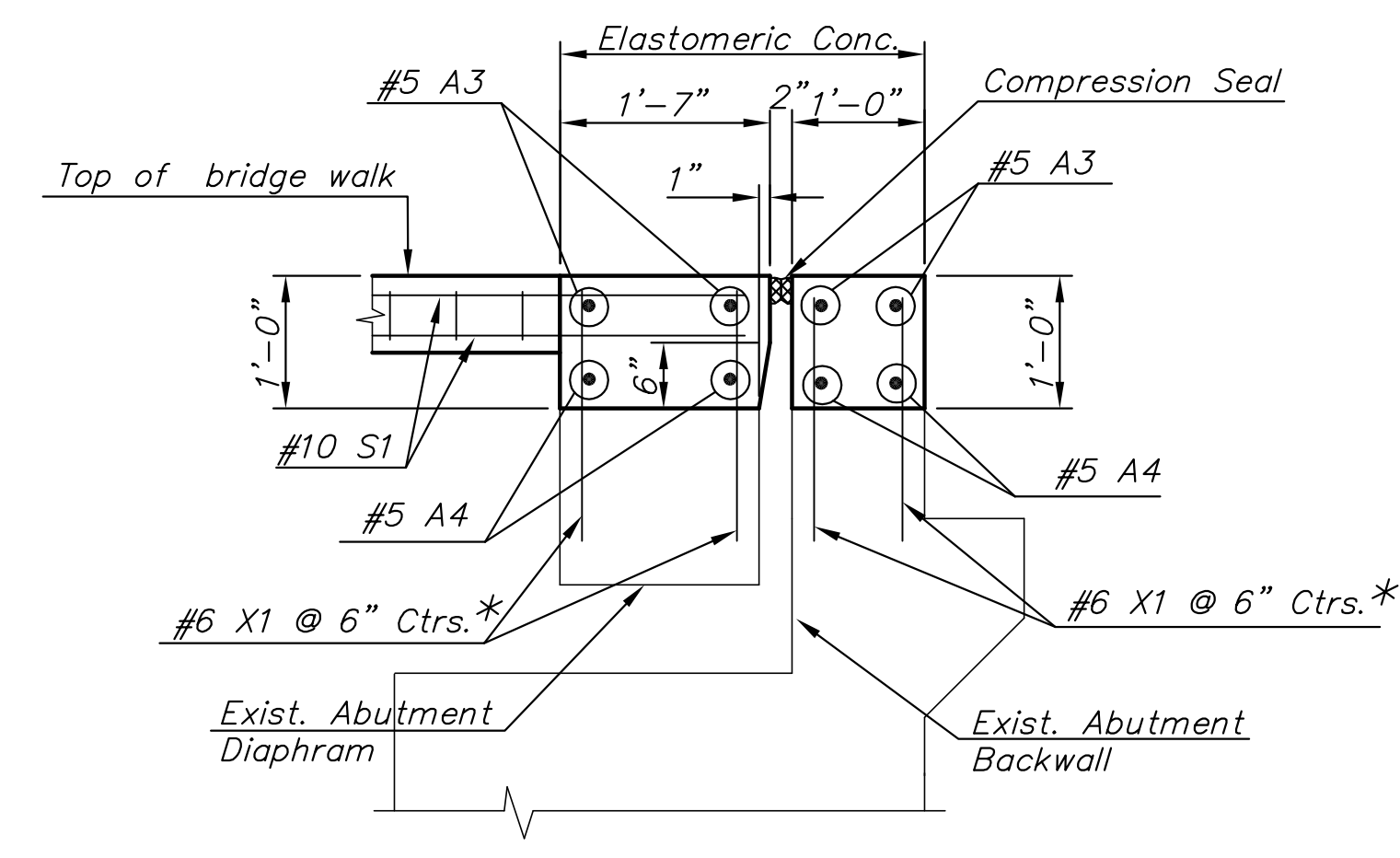
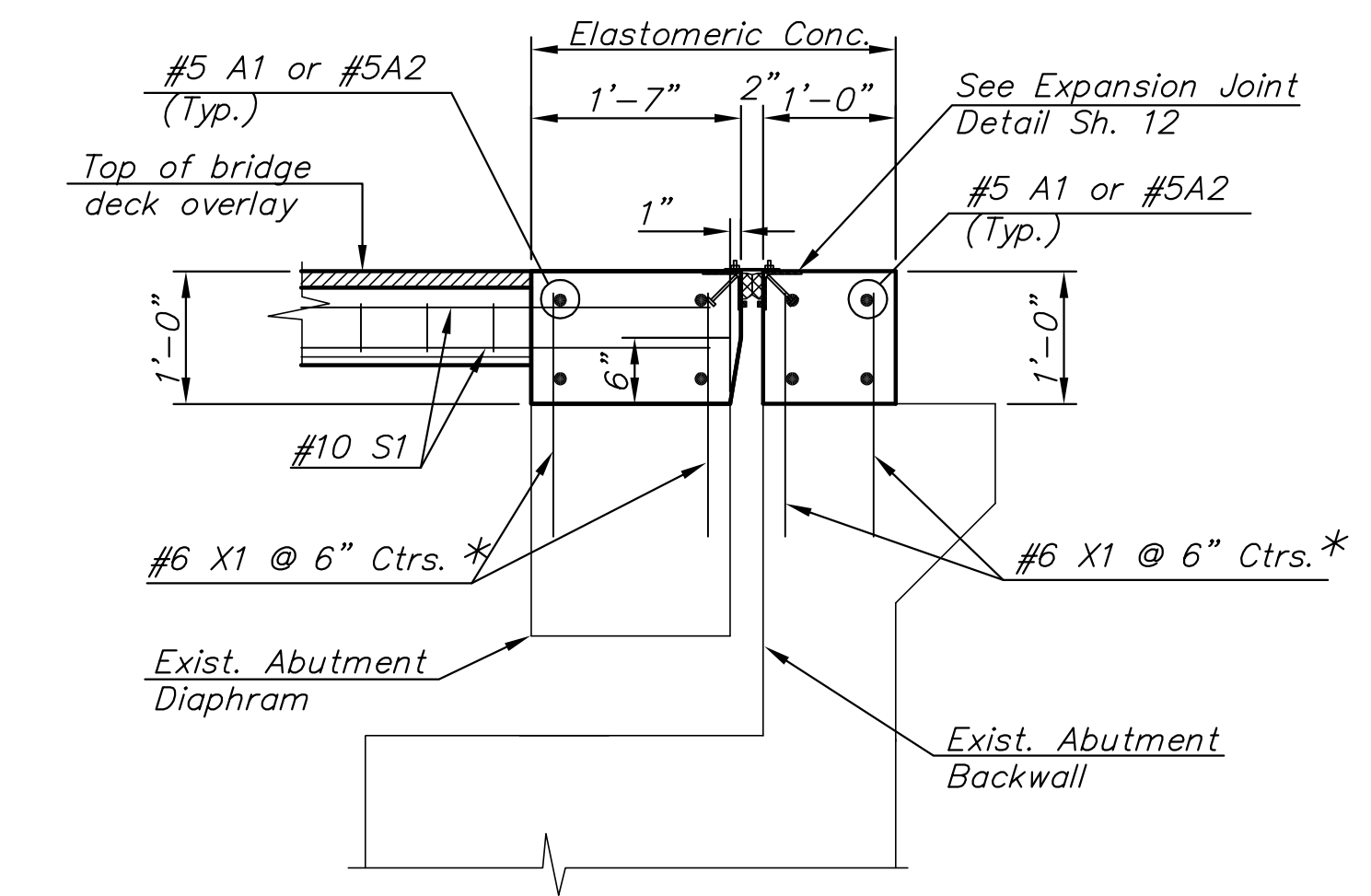
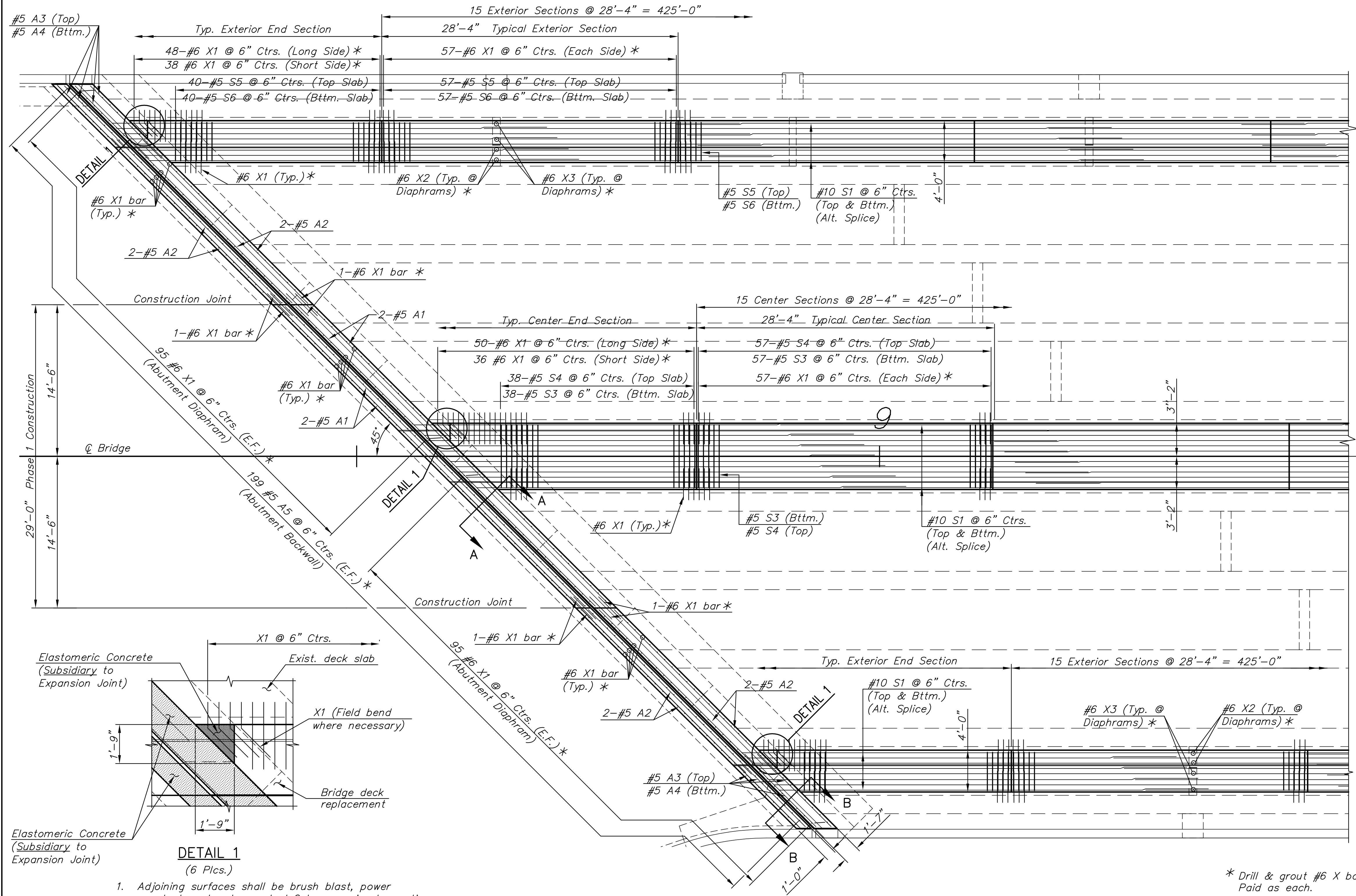
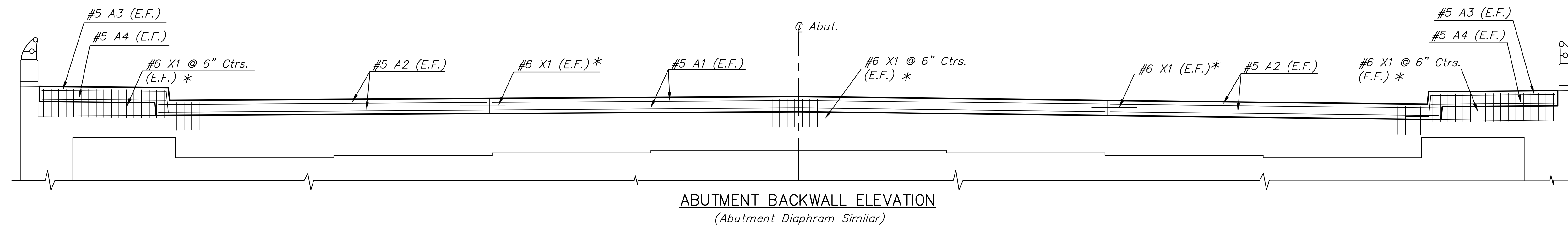


STATE	PROJECT NO.	YEAR	SHEET NO.	TOTAL SHEETS
KANSAS	87 N-0362-01	2007	13	48



1. Adjoining surfaces shall be brush blast, power washed, and water soaked 2 hours, prior to casting.
2. Allow 7 days between casting sections.

ABUTMENT BACKWALL AND PARTIAL BRIDGE DECK PLAN

J:\Civil\04223\dwg\BRIDGE\04223SP3.dwg 09/17/2007 11:21:10 AM CST
 KANSAS DEPARTMENT OF TRANSPORTATION
SUPERSTRUCTURE IMPROVEMENTS REINFORCING LAYOUT
 PROJ. NO. 87 N-0362-01 SEDGWICK CO.
 MKEC ENGINEERING CONSULTANTS, INC.
 WICHITA, KANSAS
 DESIGNED BY: JAG CHECKED BY: KJS
 DRAWN BY: DPG DATE: 4/23/07 SHEET 13 OF 48