

GENERAL NOTES

- 1) The use of Straw or Hay Bales, Silt Fence or Biodegradable Logs is at the option of the Contractor.
- 2) The slope barriers shall be placed along contour lines, with a short section turned upgrade at each end of the barrier.
- 3) At culverts, the Straw or Hay Bales or Silt Fence shall be placed over the culvert, not through the streambed flowline.
- 4) Barriers damaged by Contractor's negligence, including improper maintenance or lack of maintenance, shall be repaired immediately by Contractor at no additional cost to KDOT.
- 5) Agricultural products, such as native prairie hay, used for mulching and erosion control practices, excluding wood based mulch, shall meet the North American Weed Free Forage Standards. Refer to Special Provision Subsection 2108.04 "Mulching".

INSTALLATION NOTES

STRAW OR HAY BALES:

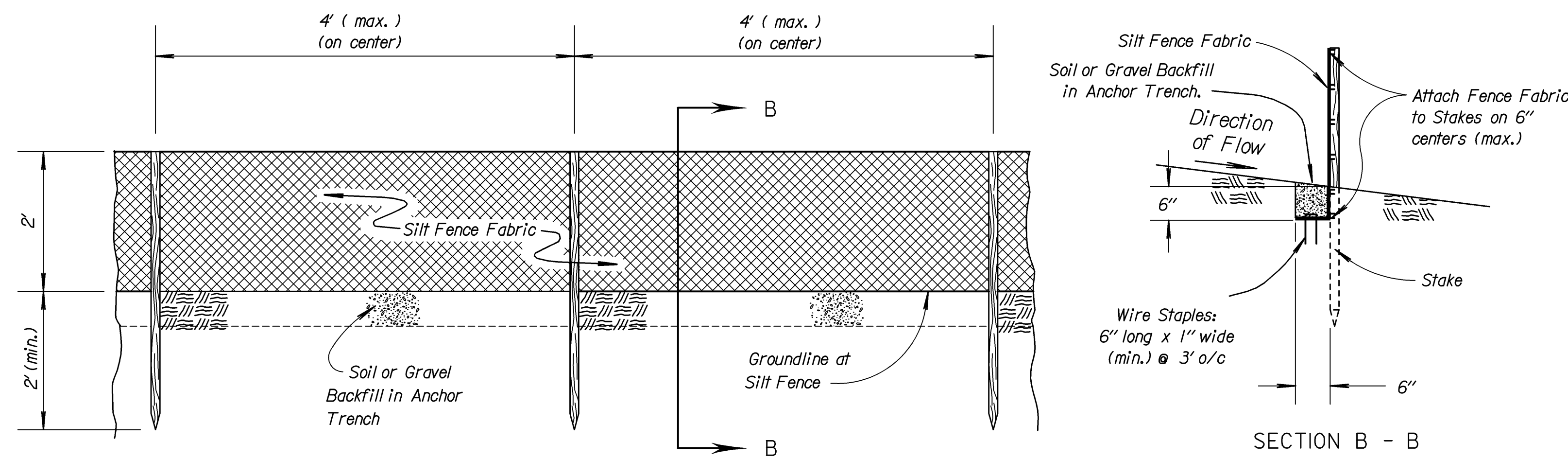
1. Place bales tightly together, with loose straw or hay wedged between bales to close off openings.
2. Wood stakes shall be 2" x 2" (nom.) x 4' (min.) long.
3. Refer to plans sheets to estimate the length of bales required.
4. Use only twine to bind bales. The use of wire binding is prohibited because it does not readily biodegrade.

SILT FENCE:

1. Stakes shall be 4' (min.) long and of one of the following materials:
 - a. Hardwood - 1 3/16" x 1 3/16";
 - b. Southern Pine (No. 2) - 2 5/8" x 2 5/8";
 - c. Steel U, T, L, or C Section - 1.33 lbs. per 1'-0"; or
 - d. Synthetic - same strength as wood stakes.
2. Attach fence fabric to stakes with staples, wire or nails.
3. Refer to plan sheets to estimate the length of Silt Fence required.

BIODEGRADABLE LOG BARRIERS

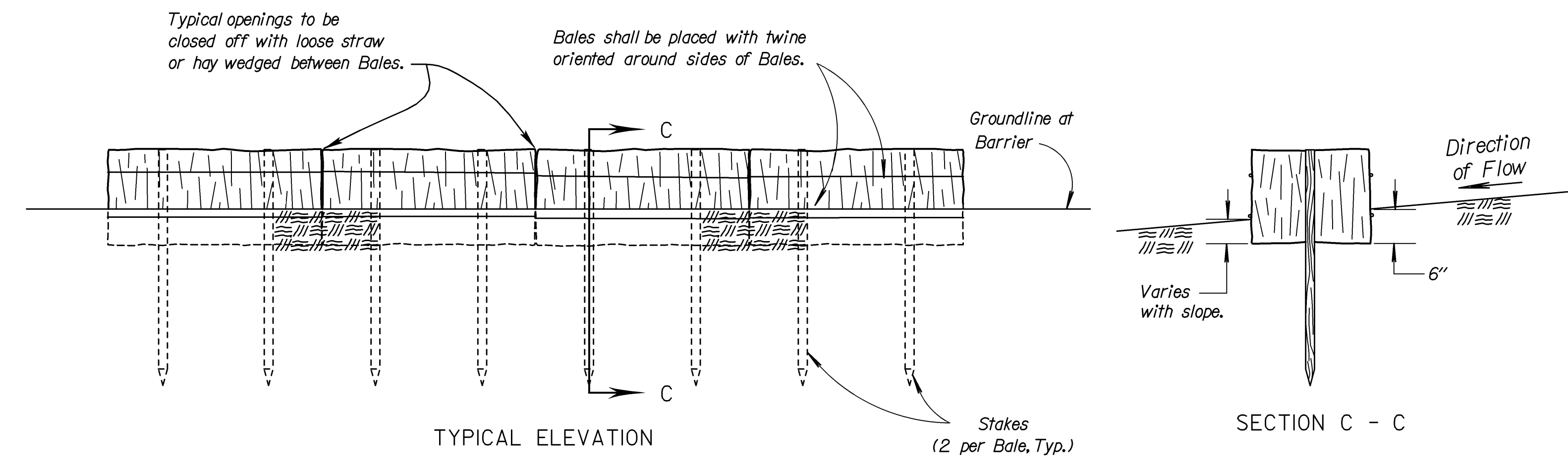
1. Place biodegradable logs tightly together.
2. Wood stakes shall be 2" x 2" (nom.) x 4' (min.) long.
3. Wire staples shall be 6" long x 1" wide (min.) and placed on 3' (max.) centers.
4. Refer to plan sheets to estimate length of biodegradable log barriers required.



TYPICAL ELEVATION

SILT FENCE SLOPE BARRIER

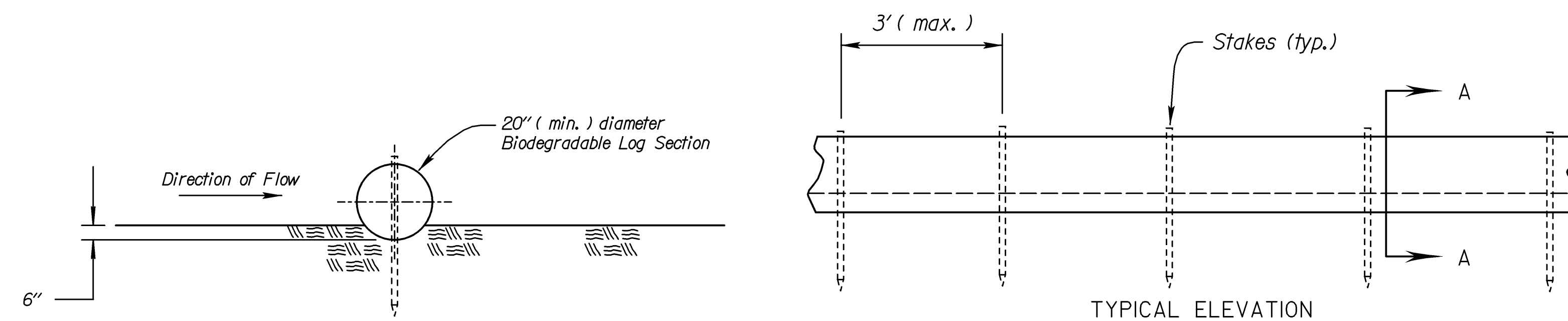
NO SCALE



TYPICAL ELEVATION

STRAW BALE SLOPE BARRIER

NO SCALE



SECTION A - A

TYPICAL ELEVATION

BIODEGRADABLE LOG SLOPE BARRIER

NO SCALE

3					
2	6/16/05	Revised Standard		SHS	SHS
1	5/10/99	Revised Standard		WCL	RDR
NO.	DATE	REVISIONS		BY	APP'D

KANSAS DEPARTMENT OF TRANSPORTATION
TEMPORARY EROSION AND POLLUTION CONTROL
STRAW OR HAY BALE SLOPE BARRIERS
SILT FENCE SLOPE BARRIERS
BIODEGRADABLE LOG SLOPE BARRIERS
LA852D
 F.H.W.A. APPROVAL 6/22/2005 | APP'D Scott H. Shields
 DESIGNED MRM | DETAILED MRM | QUANTITIES TRACED MRM
 DESIGN CK. SHS | DETAIL CK. SHS | QUAN. CK. SHS | TRACE CK. SHS