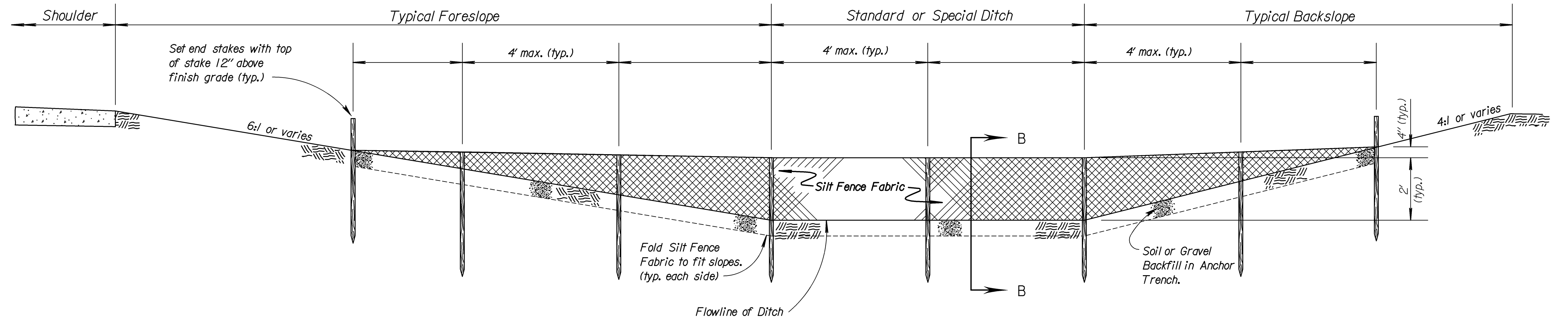


STATE	PROJECT NO.	YEAR	SHEET NO.	TOTAL SHEETS
KANSAS	87 N-0359-01	2006	40	61

SILT FENCE:

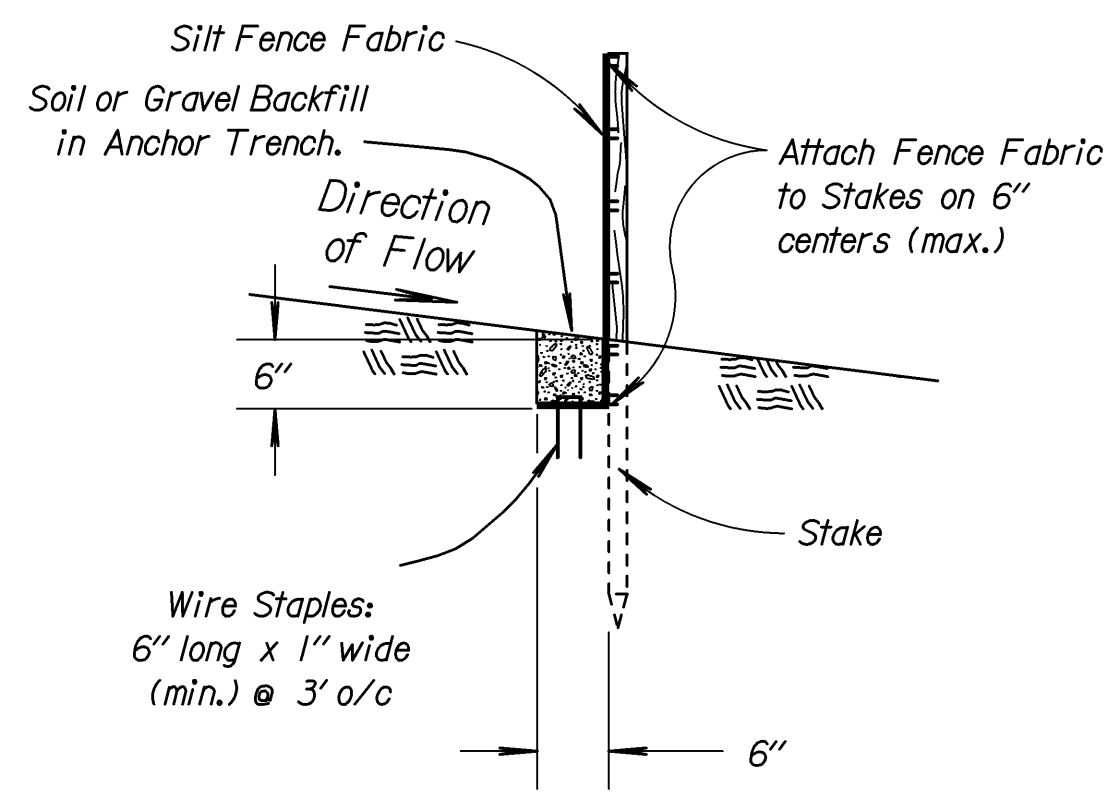
- Stakes shall be 4' (min.) long and of one of the following materials:
 - Hardwood - 1 3/16" x 1 3/16";
 - Southern Pine (No. 2) - 2 5/8" x 2 5/8";
 - Steel U, T, L, or C Section - 1.33 lbs. per 1'-0"; or
 - Synthetic - same strength as wood stakes.
- Attach fence fabric to stakes with staples, wire or nails.
- Refer to plan sheets to estimate the length of Silt Fence required.
- Use support fencing when tributary area is greater than 2.4 acres or when ditch gradient is greater than 2 percent.



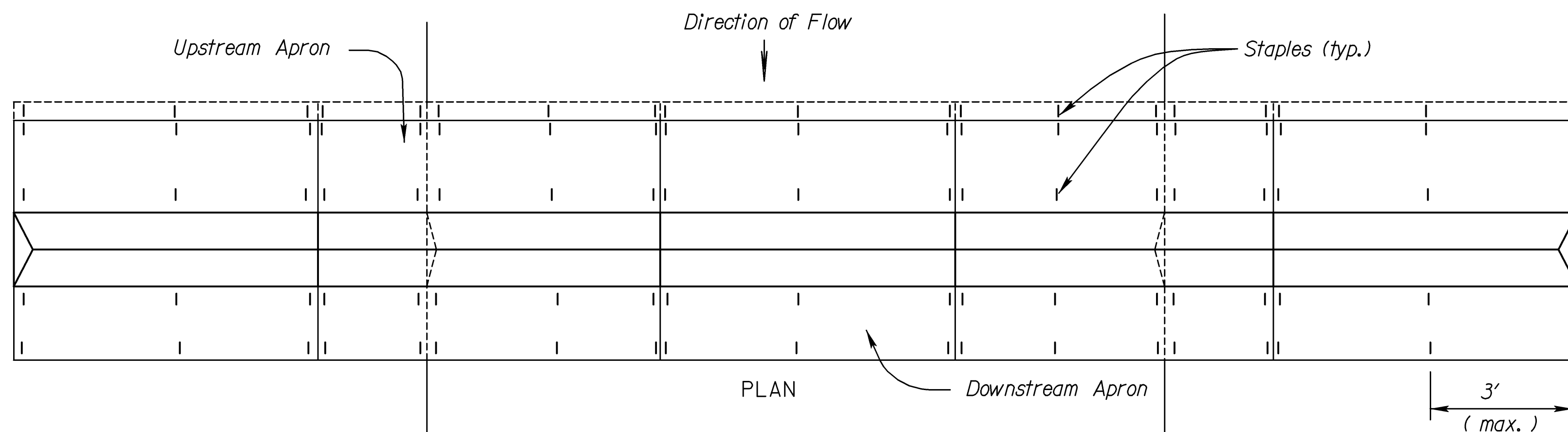
TYPICAL ELEVATION

SILT FENCE DITCH CHECK

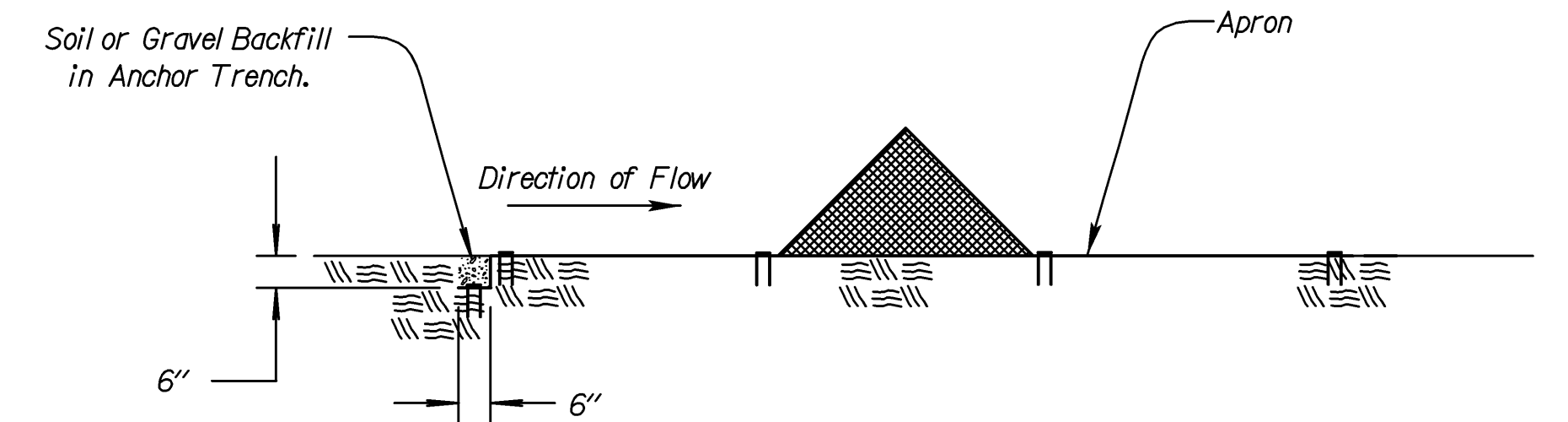
NO SCALE



SECTION B - B



PLAN



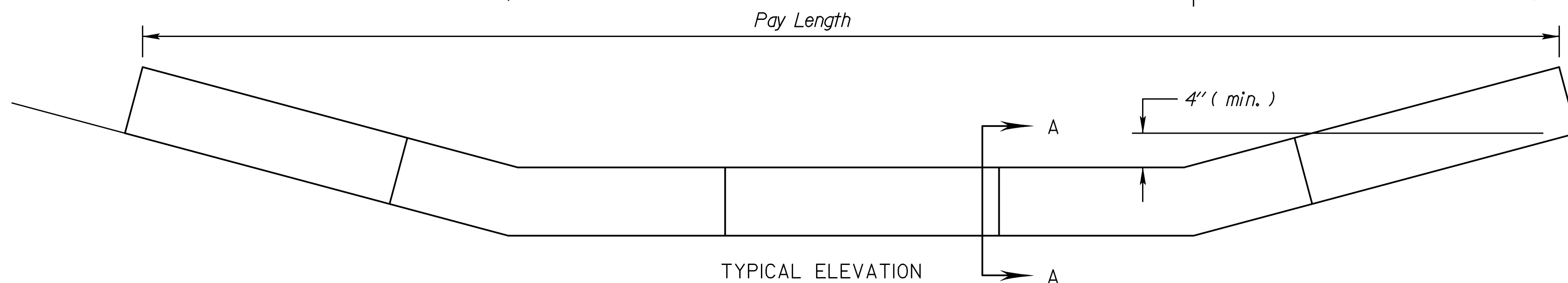
SECTION A - A

TRIANGULAR SILT DIKE NOTES

- Place Triangular Silt Dike sections tightly together, with apron material overlapping end-to-end by 6".
- Wire Staples shall be 6" long by 1" wide, minimum.
- Use as many Triangular Silt Dike sections as necessary to insure water does not flow around end of ditch check.

TRIANGULAR SILT DIKE DITCH CHECK

NO SCALE



TYPICAL ELEVATION

3					
2					
1					
NO.	DATE	REVISIONS	BY	APP'D	
KANSAS DEPARTMENT OF TRANSPORTATION TEMPORARY EROSION AND POLLUTION CONTROL SILT FENCE DITCH CHECKS TRIANGULAR SILT DIKE DITCH CHECKS LA852F					
F.H.W.A. APPROVAL	5/20/99	APP'D	Richard D. Ross		
DESIGNED	WCL	DETAILED	WCL	QUANTITIES	TRACED WCL
DESIGN CK.	RDR	DETAIL CK.	RDR	QUAN. CK.	TRACE CK. RDR

Drawn By: \$\$\$USERNAME\$\$\$
 DGN File: \$\$\$DGNFILE\$\$\$
 Plotted: \$\$\$STRTIME\$\$\$ View: PLOT 1