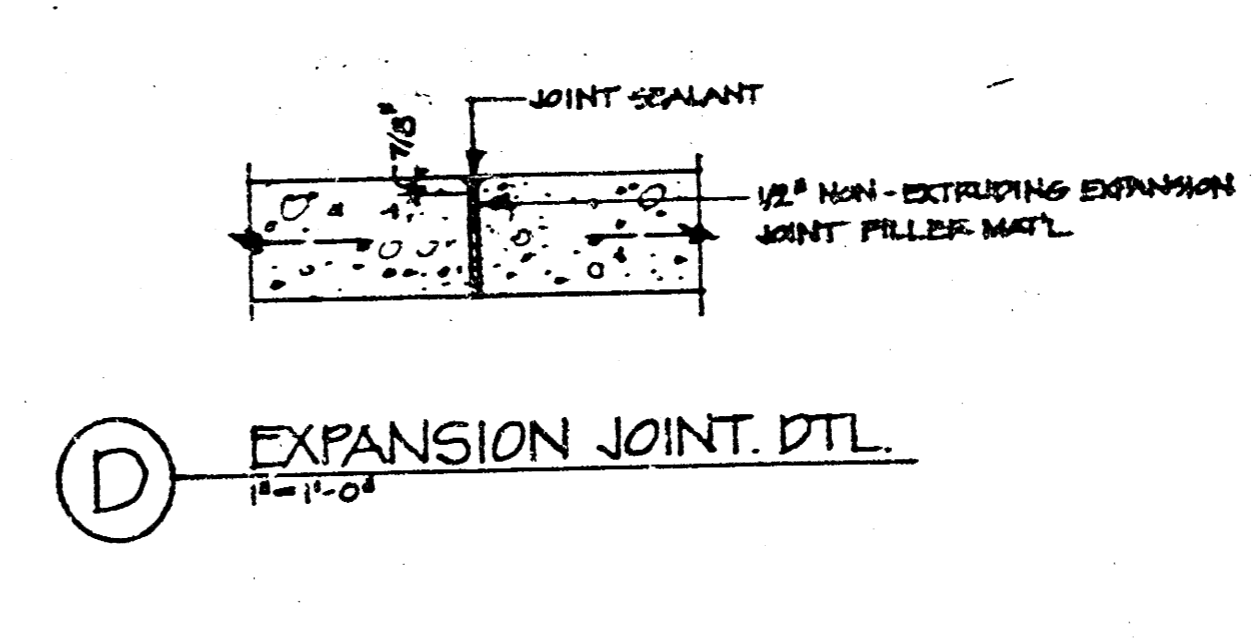
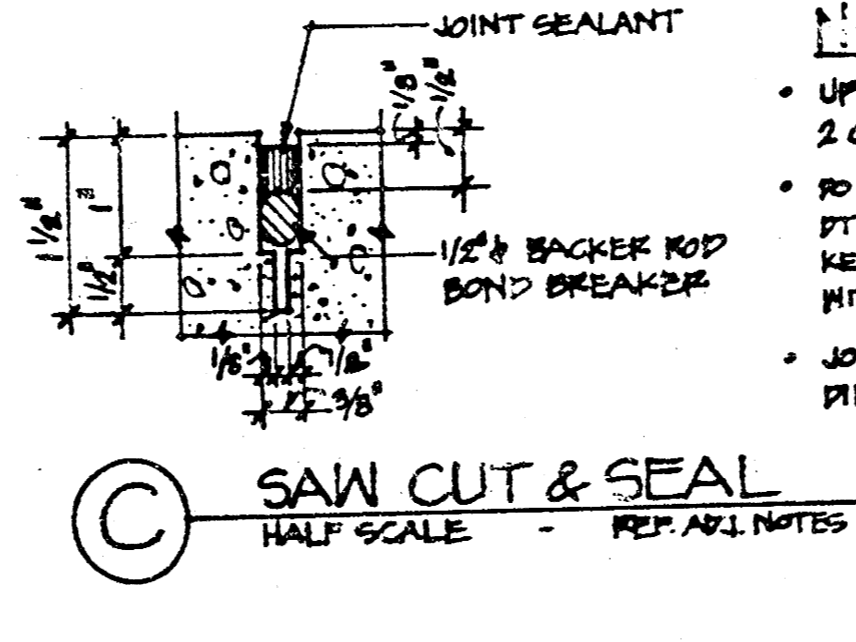
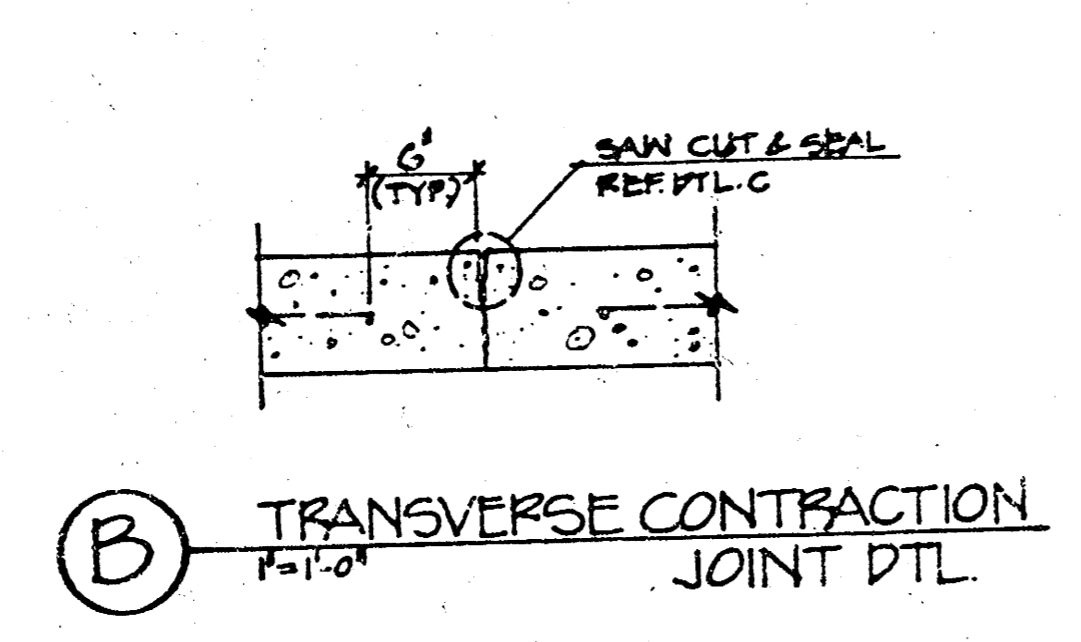
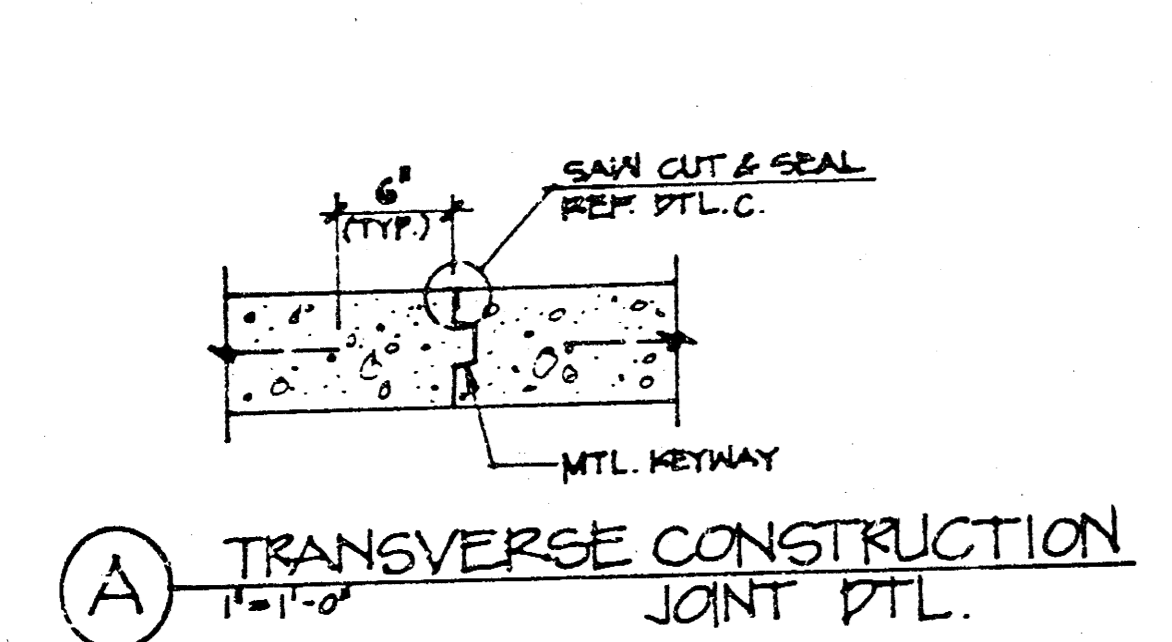
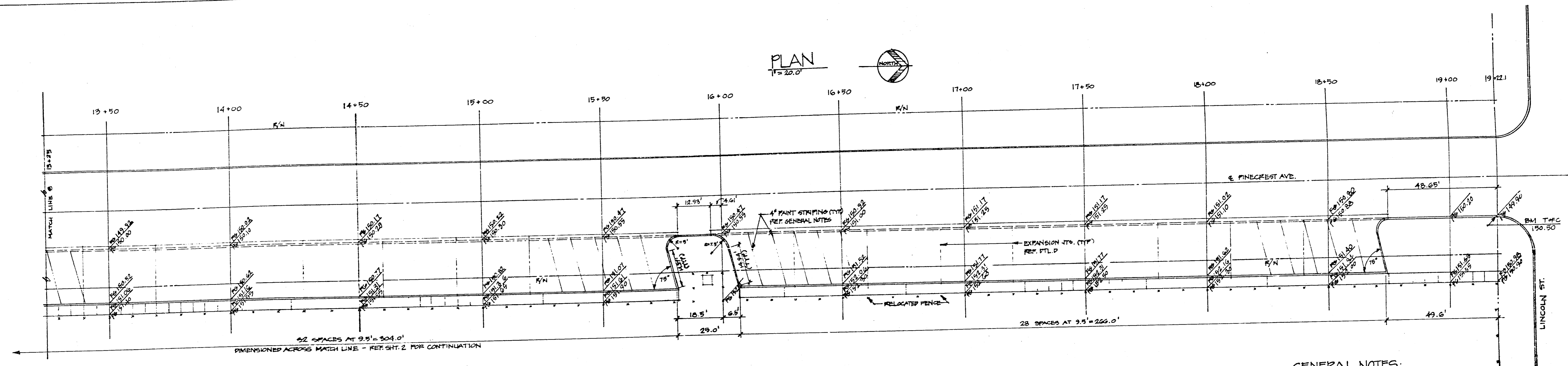


DATE: _____
 BY: _____
 SURVEYED: _____
 NOTE BOOK: _____
 ALIGNED CHECKED: _____
 RT. OF WAY CHECKED: _____
 NO. _____



NOTES:
 • UPPER 1" OF CUT TO BE WIDENED TO 1/2" WITH 2 CUTS. INITIAL CUT TO BE 1/2" WIDE.
 • NO NOT CUT LOWER 1/2" PORTION AS SHOWN IN DTL. C. WHEN SAW CUT OCCURS ALONG MTL. KEYS OF CONCR. JT. OF ALONG ANY JOINT WITH ROWELS.
 • JOINT SEALANT SHALL COMPLY WITH ASTM D1190.

GENERAL NOTES:
 • ALL CONCRETE TO BE 3500 PSI. CITY OF WICHITA FINISH MIX.
 • PARKING STALLS TO BE 75' AS SHOWN ON PLAN.
 • PROVIDE EXPANSION JT. IN SIDE WALK AT 25' O.C.
 • CONTRACTION JOINTS IN 4' x 8' O.C. 1/2" EXPANSION JOINTS IN EXIST'G PAVEMENT.
 • PARKING STALLS TO BE MARKED IN 4" WHITE PAINT STRIPING, EQUALLY SPACED AT 9'-0" MEASURED ALONG CURB.
 • MAXIMUM SLOPE OF EARTH LEADING INTO SIDEWALK TO BE 1/8".

DATE: _____
 BY: _____
 SURVEYED: _____
 NOTE BOOK: _____
 GRADES CHECKED: _____
 STRUCTURE NOTATIONS CHECKED: _____
 NO. _____

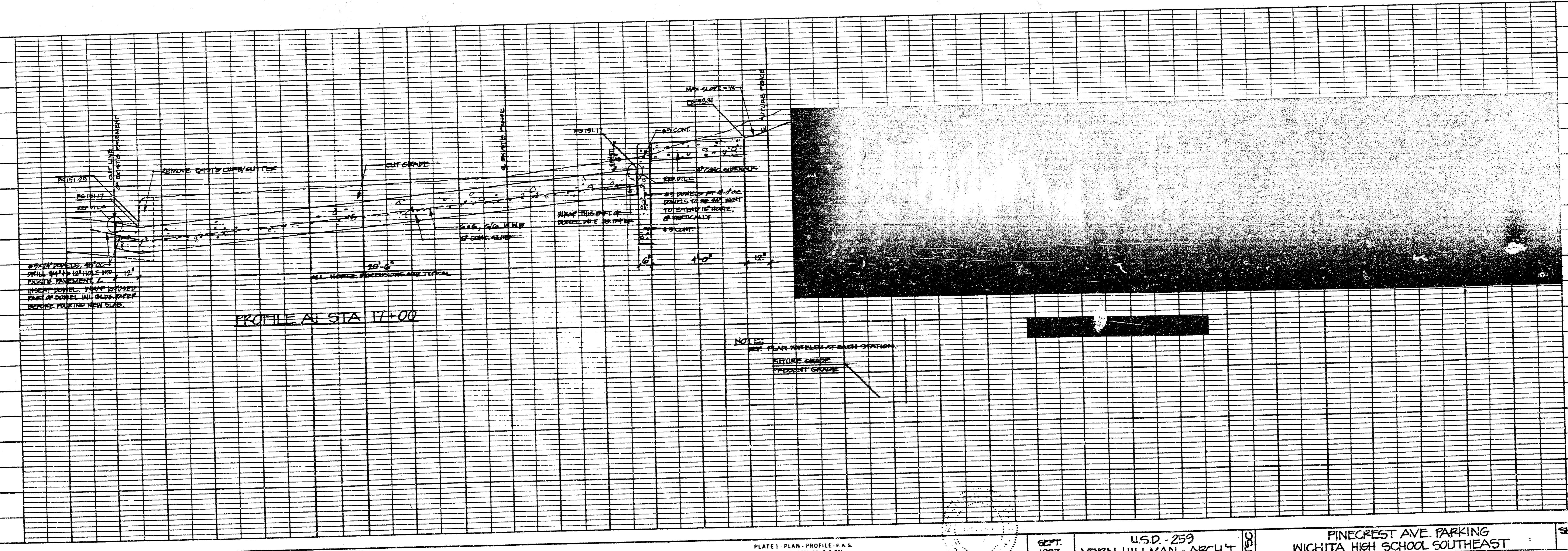


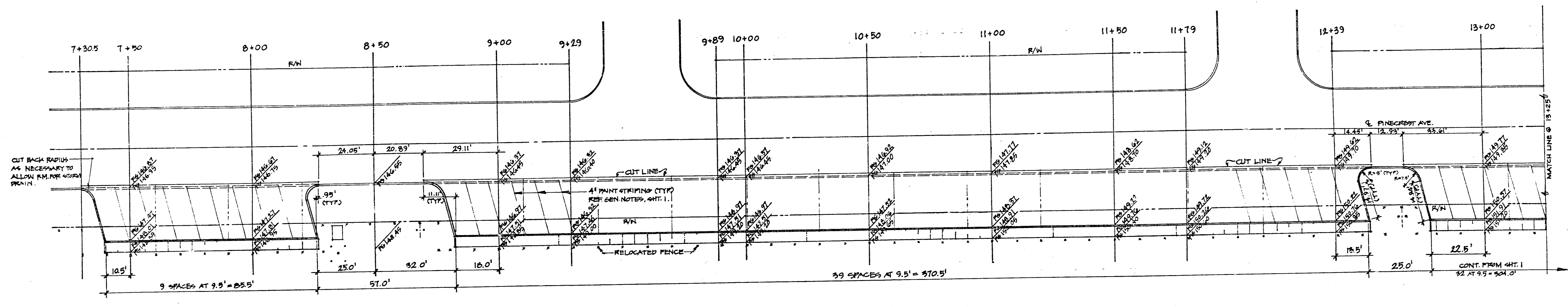
PLATE 1 - PLAN & PROFILE - P.A.S.
 CLEARPRINT PAPER CO. S.T. CAL.
 NO. 1000-1

SEPT 1987 U.S.D. - 259
 VERN HILLMAN - ARCH'T

PINECREST AVE. PARKING
 WICHITA HIGH SCHOOL SOUTHEAST

SHT. 1 OF 2
 8754 1/2

PLAN
 SURVEYED BY _____ DATE _____
 PLOTTED BY _____
 CHECKED BY _____
 NOTE BOOK NO. _____
 NO. _____
 REVISIONS: _____
 BY _____ DATE _____
 CHECKED BY _____
 NOTE BOOK NO. _____
 NO. _____
 STRUCTURE NOTATION CHECKED BY _____



PLAN (CONT)
 1" = 20.0'

PROFILE
 SURVEYED BY _____ DATE _____
 PLOTTED BY _____
 CHECKED BY _____
 NOTE BOOK NO. _____
 NO. _____
 STRUCTURE NOTATION CHECKED BY _____

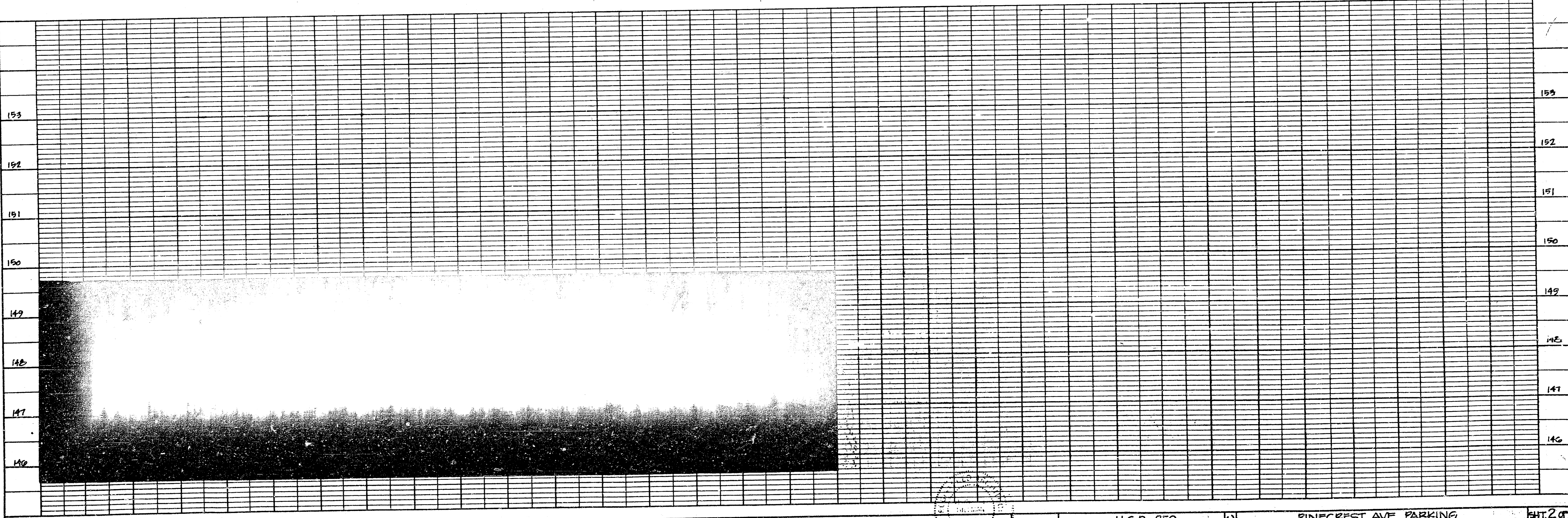


PLATE 1 - PLAN - PROFILE - F.A.S.
 CLEARPRINT PAPER CO. S.F. CAL.
 NO. 1000-1

SEPT. 1987

U.S.D. 259
 VERN HILLMAN - ARCHT

PINECREST AVE PARKING
 WICHITA HIGH SCHOOL SOUTHEAST

SHEET 2 OF 2
 8734

2 1 4 2