

**STEEL SCHEDULE**

Mark	Reqd	Size	Length	Position	Remarks
A	2	#4	10'-6"	Roof	Straight
B	2	"	9'-9"	"	"
C	4	"	8'-9"	"	"
D	3	"	7'-9"	"	"
E	3	"	6'-9"	"	"
F	3	"	5'-6"	"	"
G	3	"	4'-6"	"	"
H	2	"	8'-3"	"	"
J	2	"	7'-3"	"	"
K	16	#4	1'-6"	Donels	"
L	16	"	7'-6"	Panel A-B-D (vert)	"
M	7	"	6'-9"	Panel A (horz)	"
N	9	"	2'-9"	Panel C (horz)	"
P	14	"	7'-0"	Panel D (horz)	See Detail P
R	14	"	3'-9"	Panel B (horz)	See Detail R

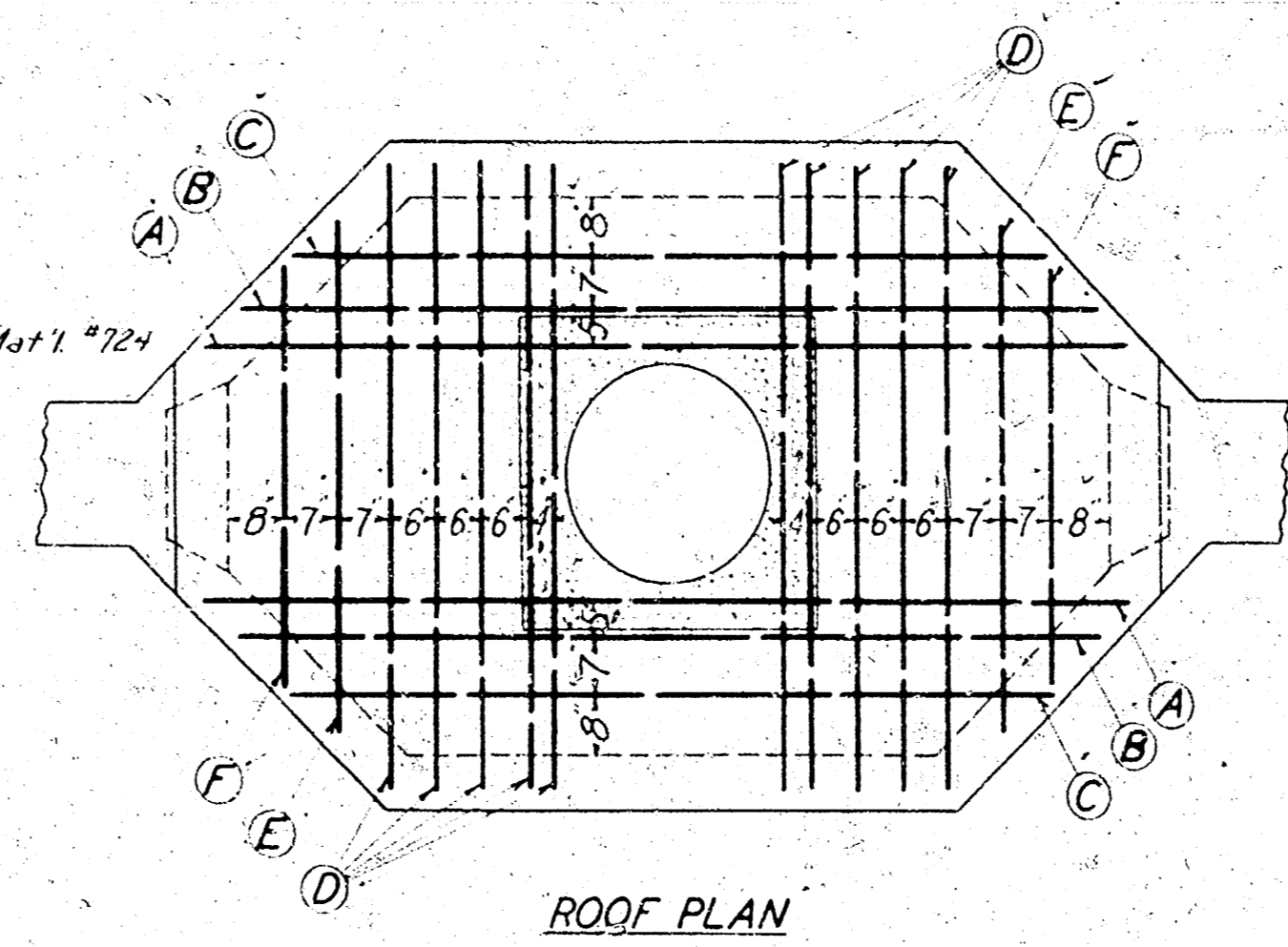
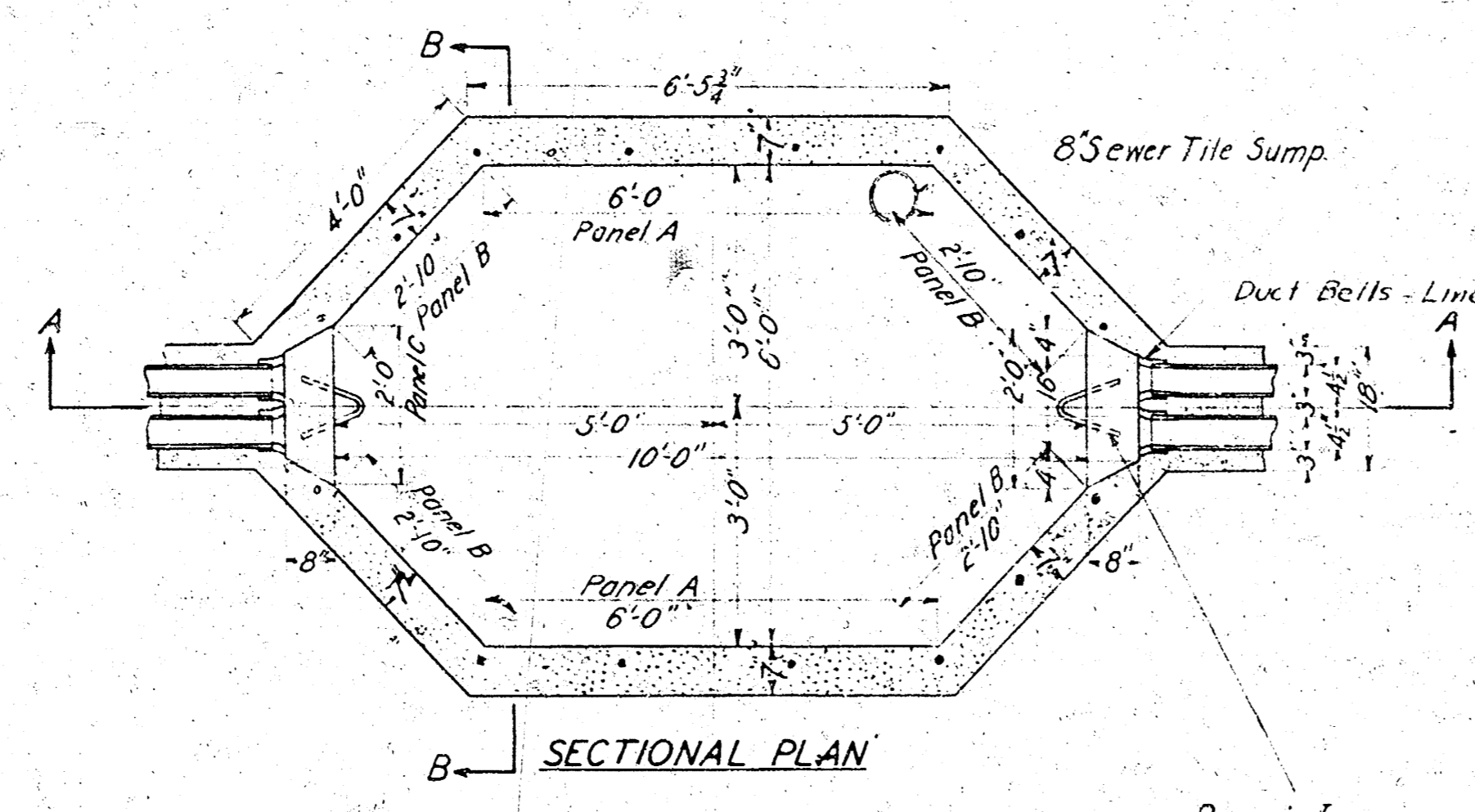
**ESTIMATE**

Excavation	Cu Yd	29.5
Backfill	"	3.5
Surplus	"	26.0
Concrete (3000#) 1'-2'-4" mix	"	8.2
Draw-in Irons - Line Material # 2850 1/2" x 2"	6	
Slid M.H. Frame and Cover 3F & 9C		
Sewer Tile (6')		1

Drawn By	Traced By	Checked By	Date	General Revision	ES
12/1/30	12/1/30	1/1/31	1/1/31	General Revision	ES
12/1/30	12/1/30	1/1/31	1/1/31	Added Duct Bells	ES
12/1/30	12/1/30	1/1/31	1/1/31	Revised for IM Construction	ES
12/1/30	12/1/30	1/1/31	1/1/31	Revision	ES

Note:  
Grade floor to sump.  
Steel to be not less than 1/4" from face of concrete.

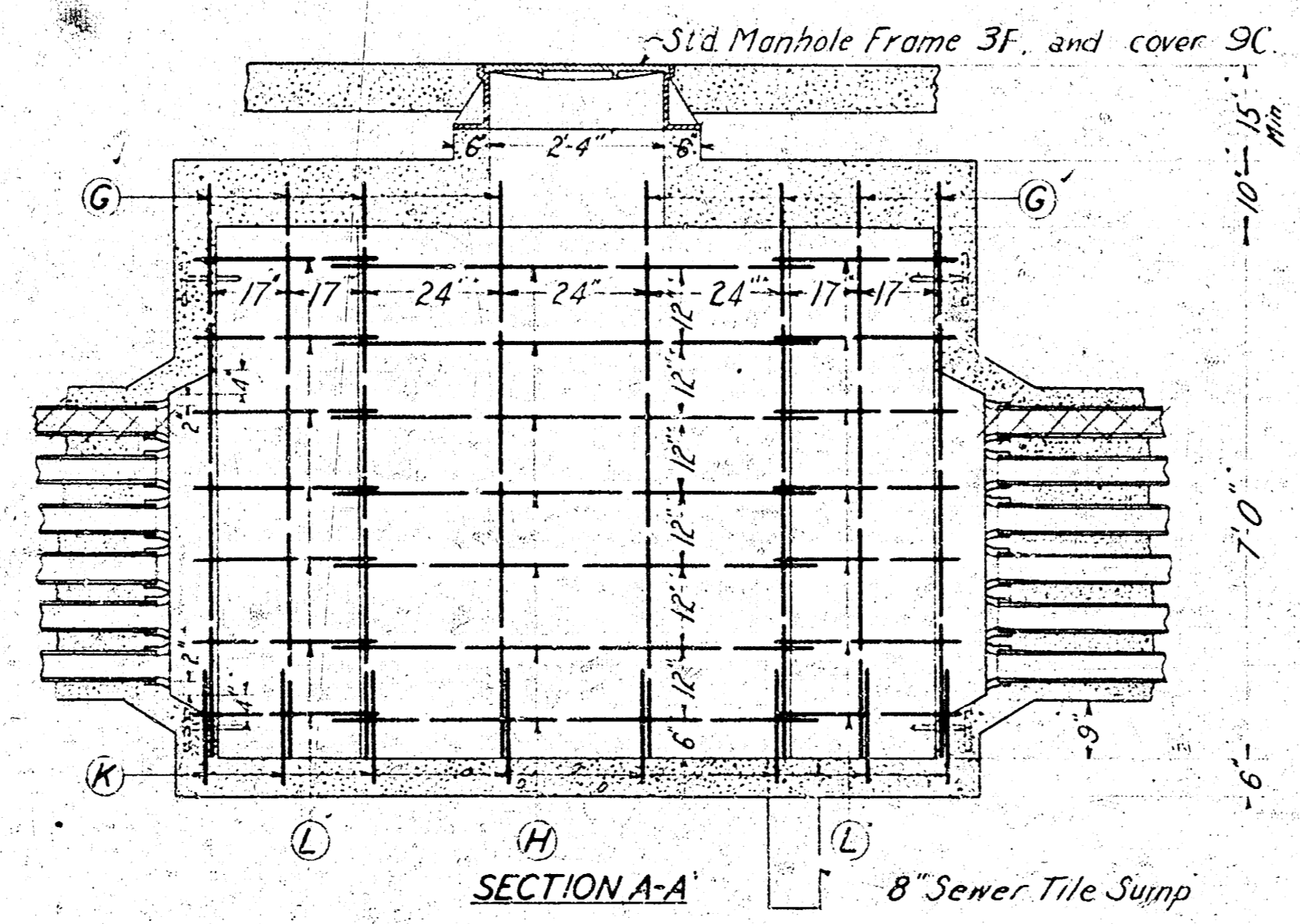
WICHITA UNDERGROUND SYSTEM  
THREE WAY MANHOLE  
KORDUCT DUCT BANK - 2 WIDE  
APRIL 21, 1930 SCALE 1/2" = 1'-0"  
APPROVED *[Signature]* ENGINEER  
KANSAS GAS AND ELECTRIC COMPANY  
WICHITA-KANSAS  
KD-1744



**STEEL SCHEDULE**

Mark	Size	Length	Position	Remarks
A	2	10'-6"	Roof	Straight
B	2	9'-9"	"	"
C	2	8'-9"	"	"
D	10	6'-9"	"	"
E	2	5'-6"	"	"
F	2	4'-6"	"	"
G	16	7'-6"	Panel A+B (Vert)	"
H	14	6'-9"	Panel A (Horz)	"
J	6	2'-9"	Panel C (Horz)	"
K	16	1'-6"	Dowels	"
L	28	3'-9"	Panel B (Horz)	See Detail L

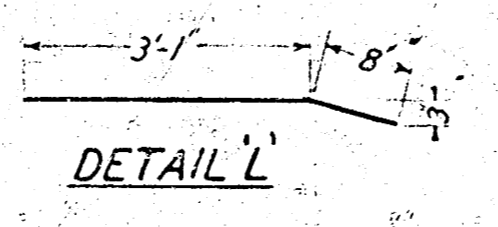
Date	Description	By	Appr'd
8-17-31	General Revision	C.L.S.	
7-5-31	Added Duct Bells	W.M.	
4-26-30	Revised for I.W. Construction	C.T.M.	
	Revision	Chrb	Approved



**ESTIMATE**

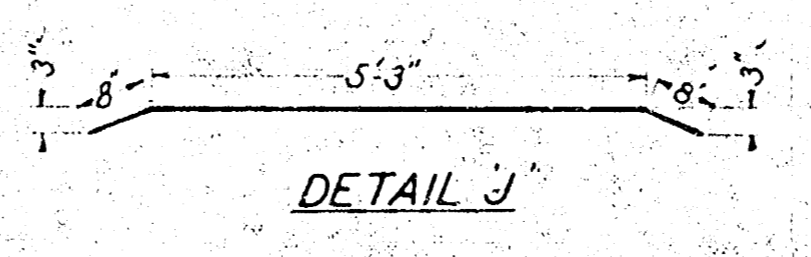
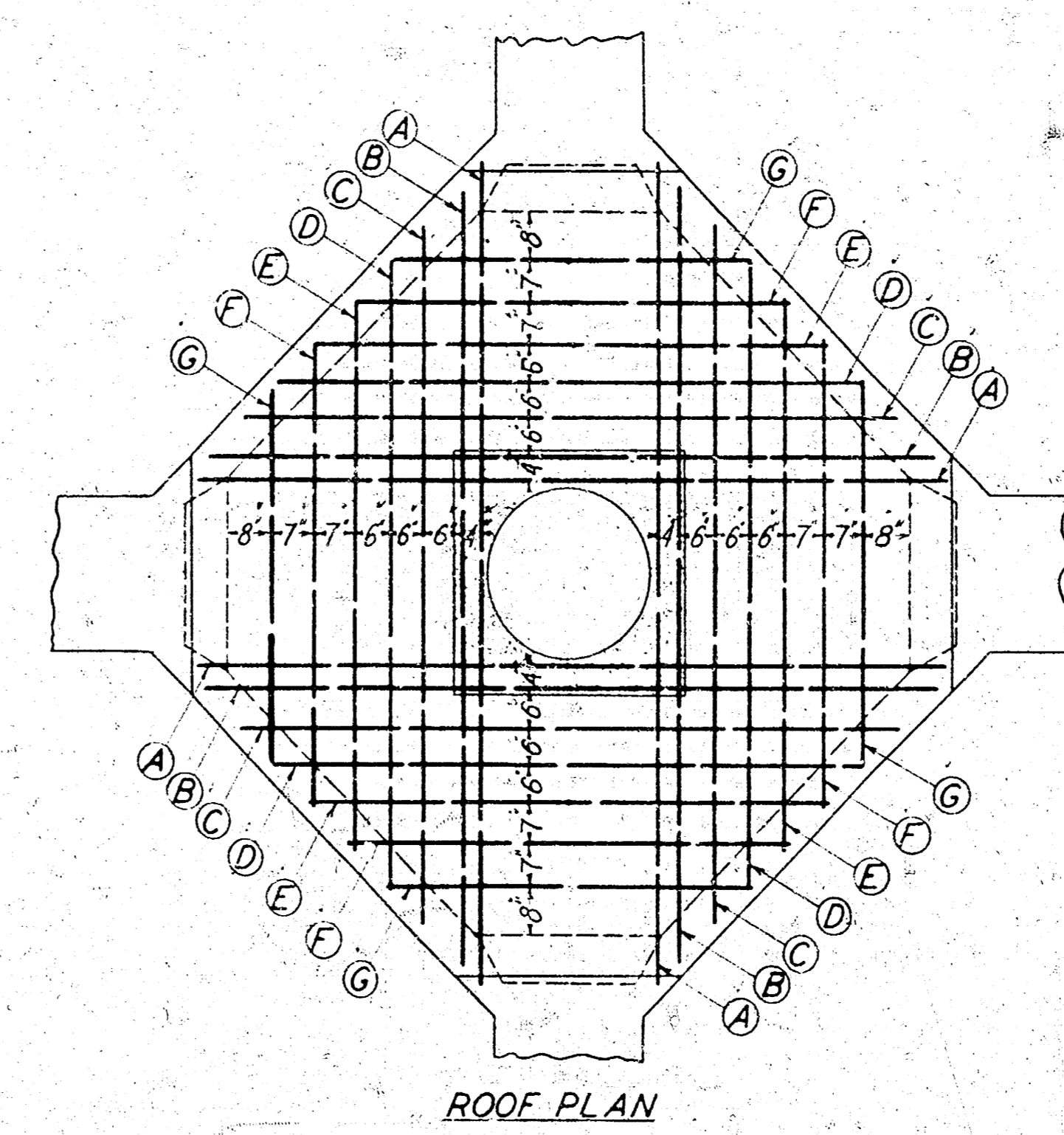
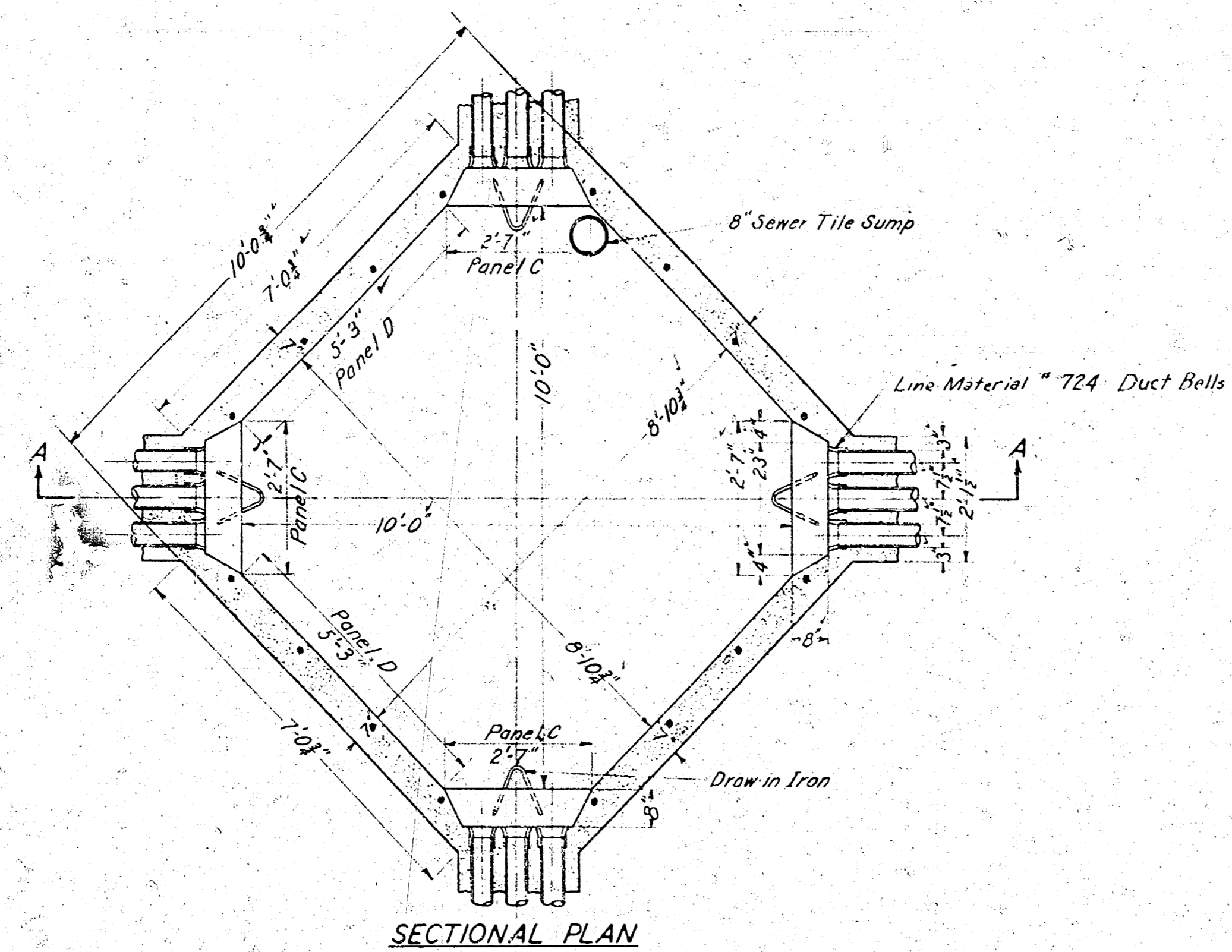
Description	Quantity	Unit	Price
Excavation		Cu Yd	26
Backfill		"	3
Surplus		"	23
Concrete (3000')	12.4	sq ft	77
Draw-in Irons - Line Met 1	2850	lbs	4
Manhole Frame and Cover	1	SF & 9C	
Duct Bells		Field	
Sewer Tile (6')			1

Note:  
Grade floor to sump.  
Steel to be not less than 1/4" from face of concrete.



Date	Description	By	Appr'd
8-17-31	General Revision	C.L.S.	
7-5-31	Added Duct Bells	W.M.	
4-26-30	Revised for I.W. Construction	C.T.M.	
	Revision	Chrb	Approved

WICHITA UNDERGROUND SYSTEM  
TWO WAY MANHOLE  
KORDUCT DUCT BANK - 2 WIDE  
APRIL 26, 1930 SCALE 1/2" = 1'-0"  
APPROVED *C.T.M.* ENGINEER  
KANSAS GAS AND ELECTRIC COMPANY  
WICHITA-KANSAS  
KD-1745

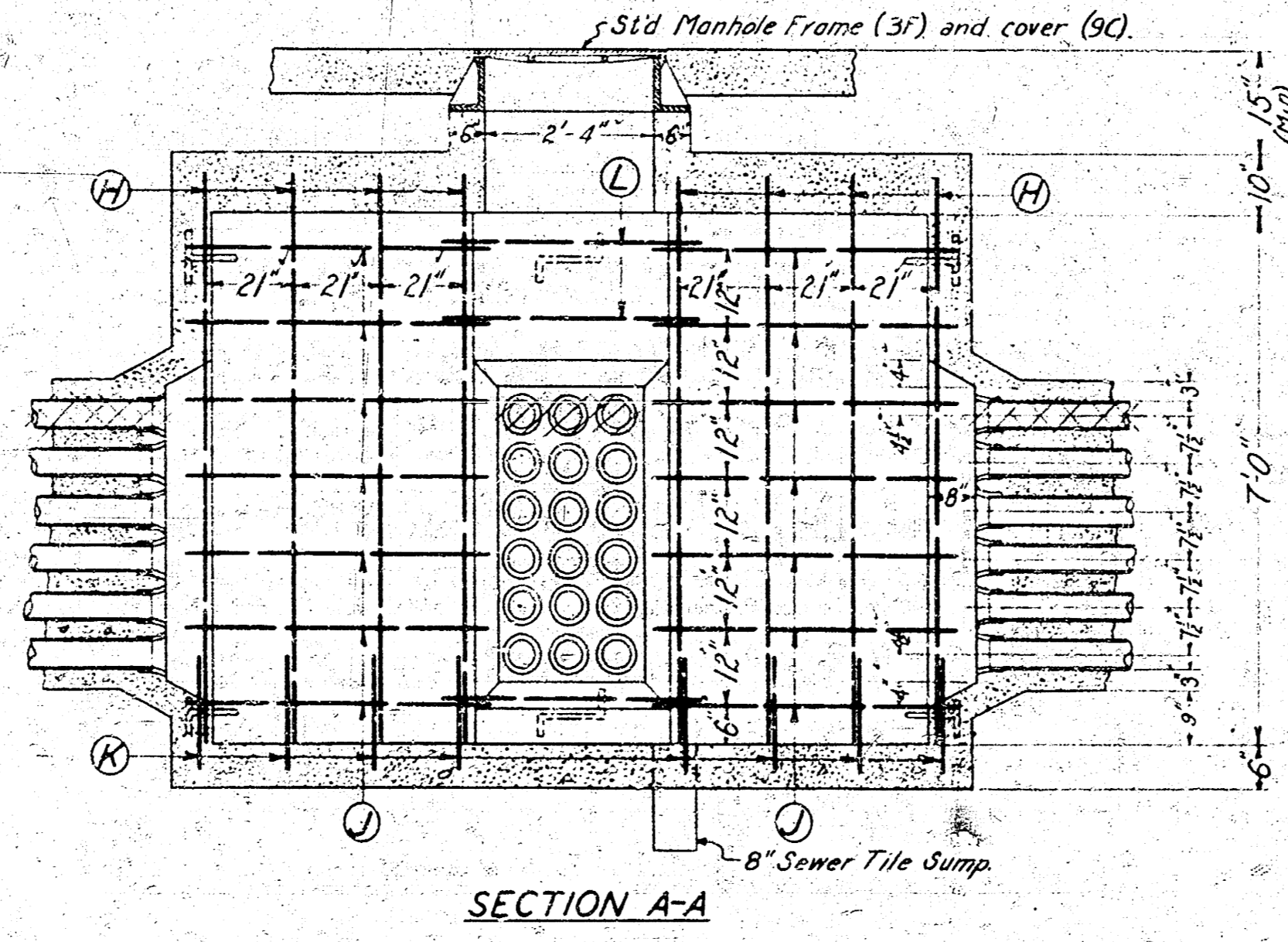


ESTIMATE

Excavation	Cu Yd.	34.3'
Backfill	"	4.4
Surplus	"	28.9'
Concrete (3000')	1' 2.4	10.5'
Draw in Irons - Line Mat. 2850 ITR 2		6'
Std. MH Frame and Cover	3' x 9'	

STEEL SCHEDULE

Mark	Reqd	Size	Length	Position	Remarks
A	4	3/4"	10'-9"	Roof	Straight
B	4	"	10'-3"	"	"
C	4	"	9'-3"	"	"
D	4	"	8'-3"	"	"
E	4	"	7'-3"	"	"
F	4	"	6'-0"	"	"
G	4	"	5'-0"	"	"
H	16	1/2"	7'-6"	Panel D (vert)	"
J	28	"	6'-7"	Panel D (horz)	See Detail J
K	16	"	1'-6"	Dowels	Straight
L	12	"	3'-6"	Panel C (horz)	"



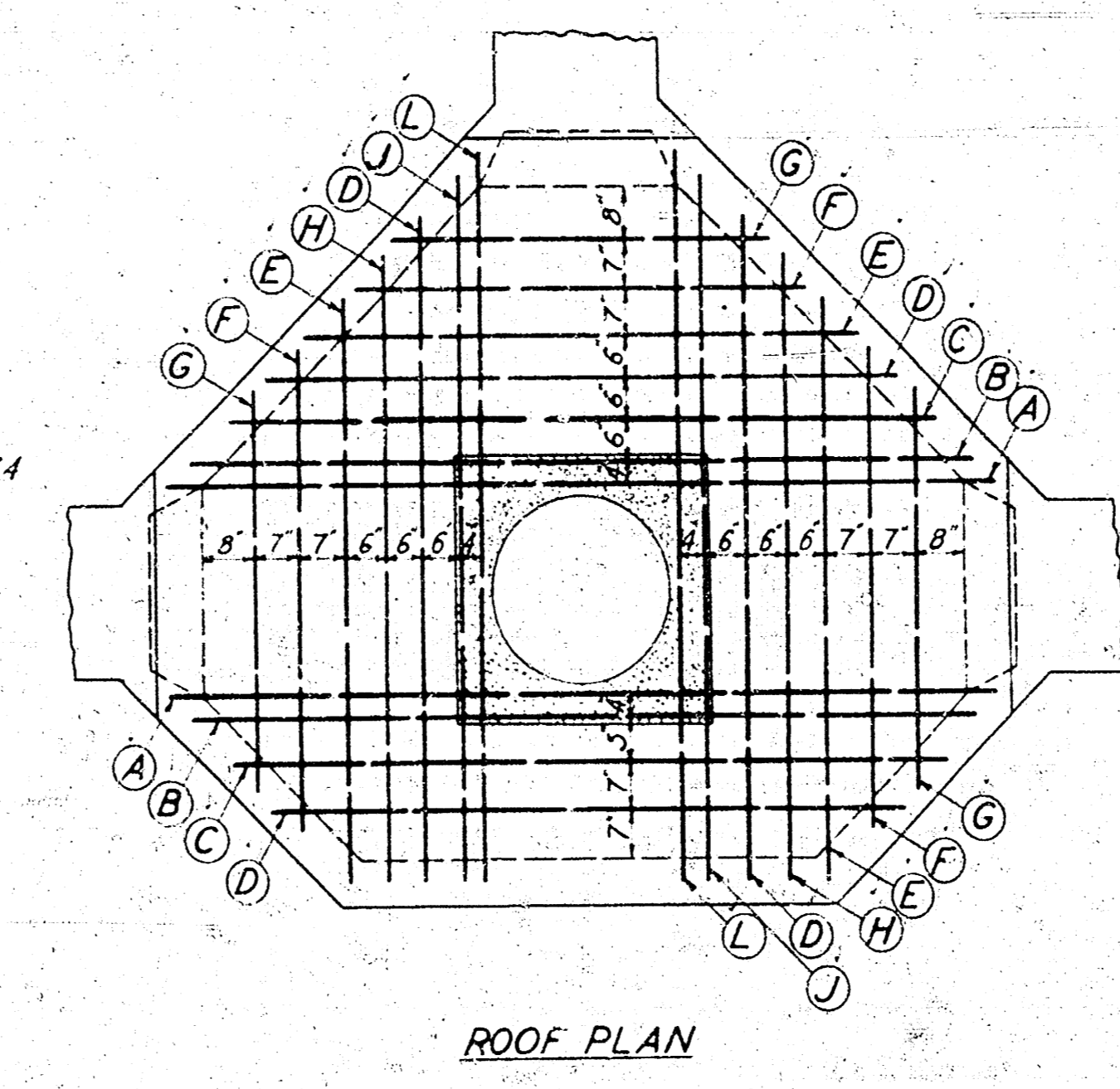
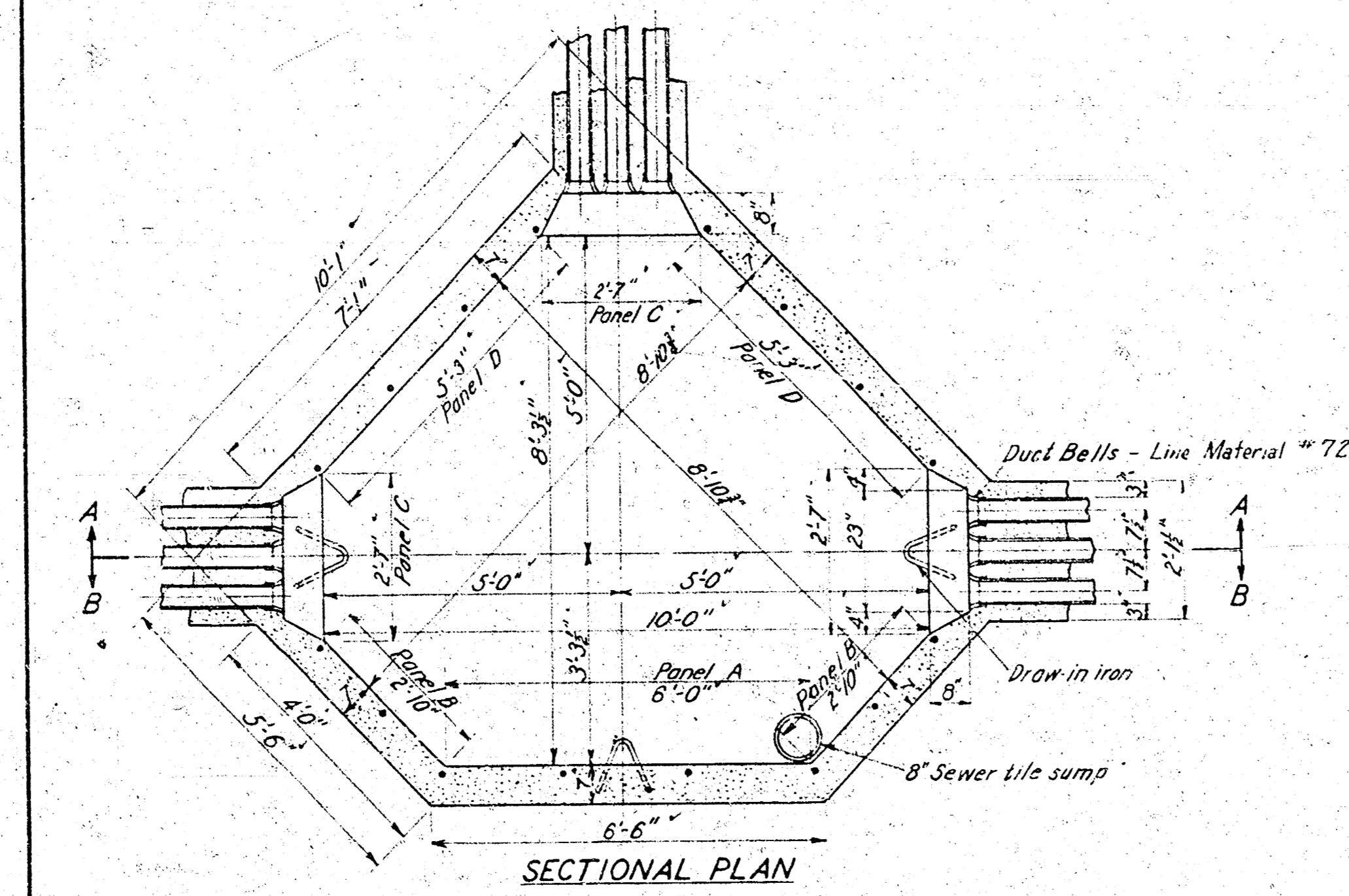
DESIGN	DATE	BY	CHK'D
GENERAL	REVISION		

DRAWN BY	DATE	BY	CHK'D
CHECKED BY	DATE	BY	CHK'D

Note:  
Grade floor to sump.  
Steel to be not less than 1/2" from face of concrete.

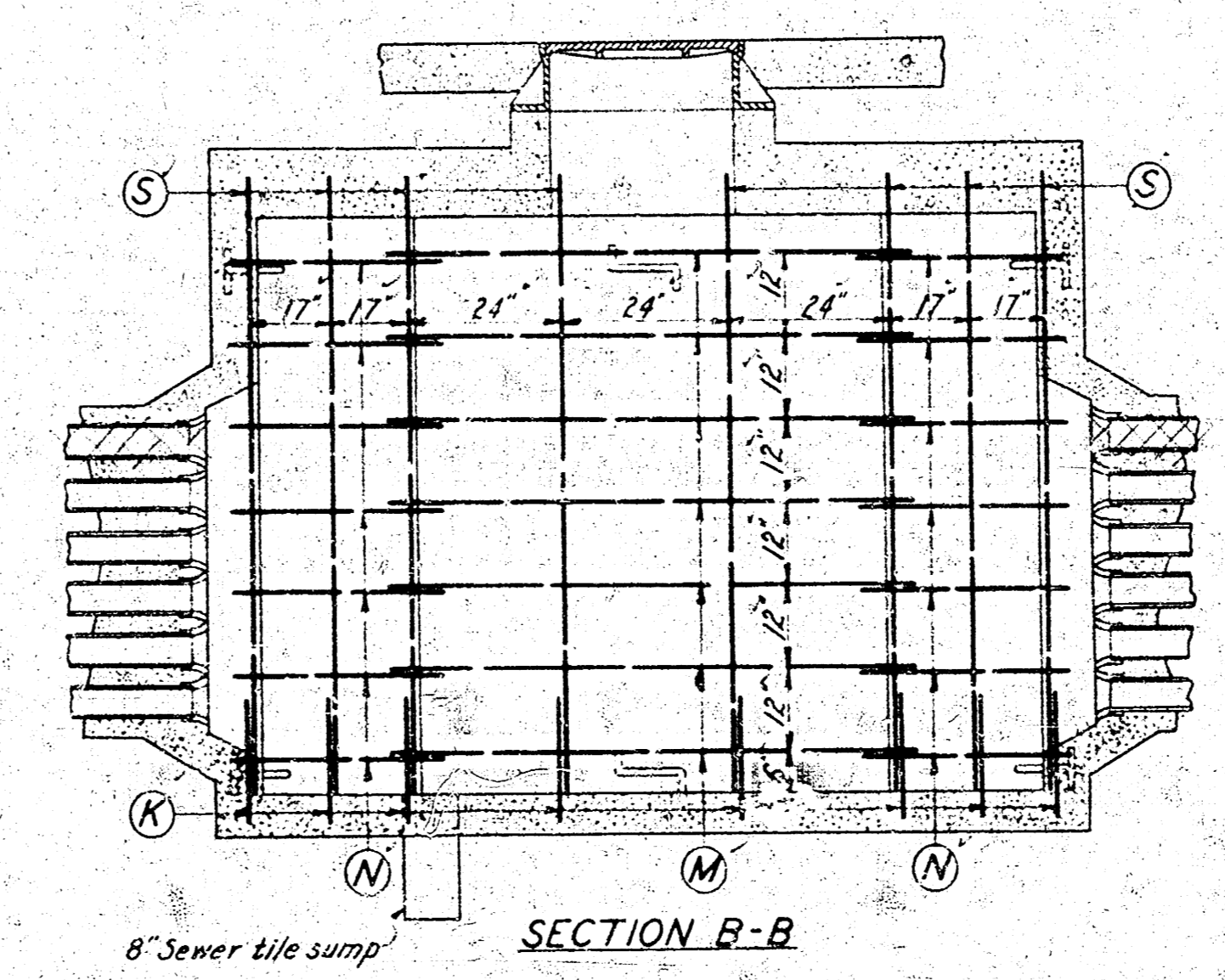
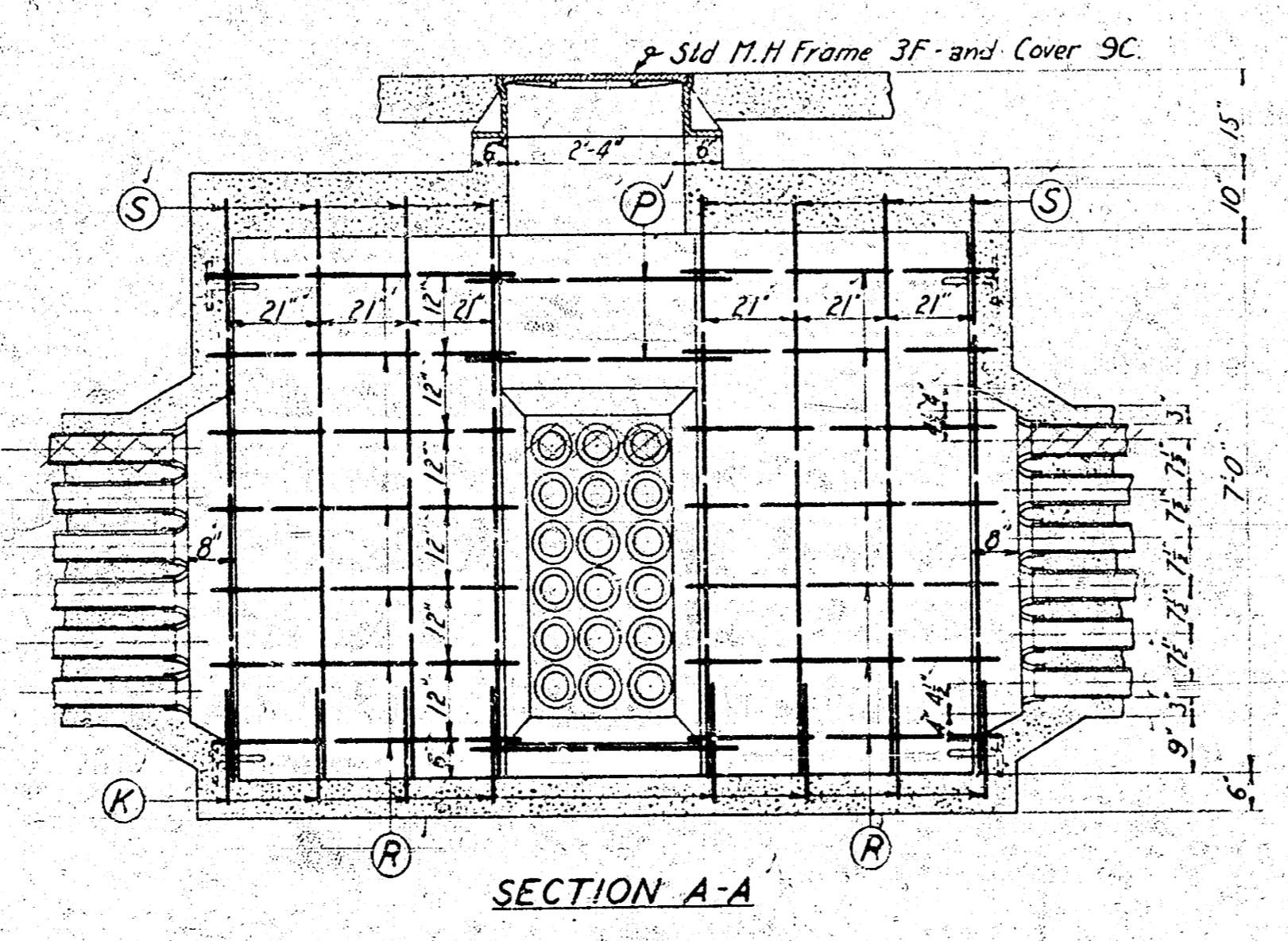
WICHITA UNDERGROUND SYSTEM  
FOUR WAY MANHOLE  
KORDUCT DUCT-BANK-3 WIDE  
FEBRUARY 3, 1934  
APPROVED [Signature] ENGINEER  
KANSAS GAS AND ELECTRIC COMPANY  
WICHITA, KANSAS

KD-1749



**STEEL SCHEDULE**

Mark	Qty	Size	Length	Position	Remarks
A	2	3/4"	10'-9"	Roof	Straight
B	2	"	10'-3"	"	"
C	2	"	9'-3"	"	"
D	4	"	8'-3"	"	"
E	3	"	7'-3"	"	"
F	3	"	6'-0"	"	"
G	3	"	5'-0"	"	"
H	2	"	7'-9"	"	"
J	2	"	8'-9"	"	"
L	2	"	9'-0"	"	"
M	7	3/8"	6'-9"	Panel A (Horz)	"
N	14	"	3'-9"	Panel B (Horz)	See Detail N
P	9	"	3'-6"	Panel C (Horz)	Straight
R	14	"	6'-7"	Panel D (Horz)	See Detail R
S	16	"	7'-6"	Panel A, B, D (Vert)	Straight
K	18	"	1'-6"	Downs	"



**ESTIMATE**

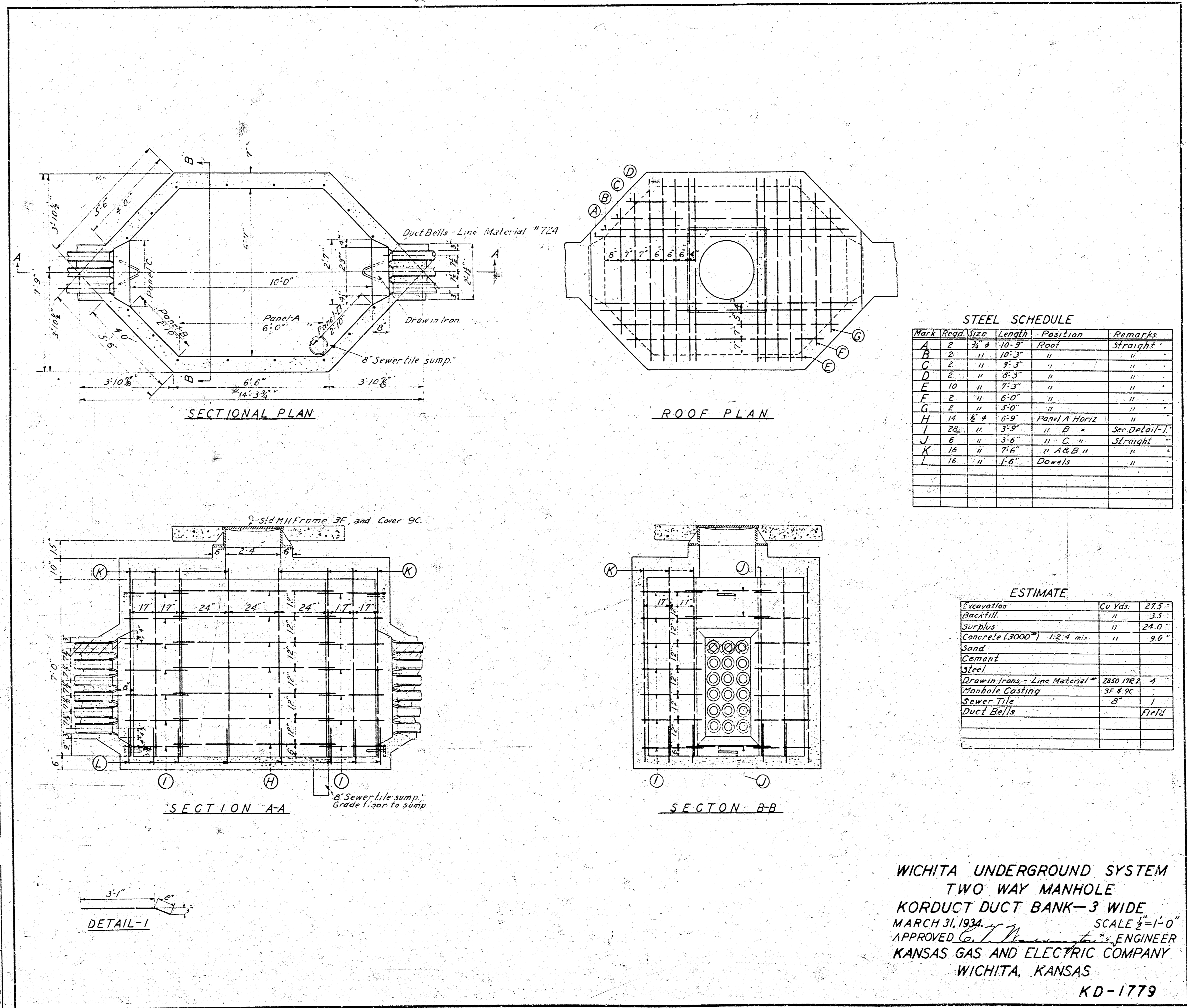
Excavation	Cu. Yd.	29.8
Backfill	"	1.1
Soil plus	"	26.4
Concrete (3000*)	1 1/2 cu. mix	10.5
Draw in Irons - Line Material	2890 TIR 2	6
Frame and Cover	3F 4 9C	
Duct Bells	Field	
Sewer Tile (6)		1

DATE	BY	REVISION
10/1/31	W. L. H.	1. APPROVED
10/1/31	W. L. H.	2. REVISED

DATE	BY	REVISION
10/1/31	W. L. H.	1. APPROVED
10/1/31	W. L. H.	2. REVISED

Note:  
Grade floor to sump.  
Steel to be not less than 1/8" from face of concrete.

WICHITA UNDERGROUND SYSTEM  
THREE WAY MANHOLE  
KORDUCT-DUCT BANK—3 WIDE  
SEPT 2, 1931 SCALE 1/2"=1'-0"  
APPROVED *[Signature]* ENGINEER  
KANSAS GAS AND ELECTRIC COMPANY  
WICHITA, KANSAS  
KD-1760



**STEEL SCHEDULE**

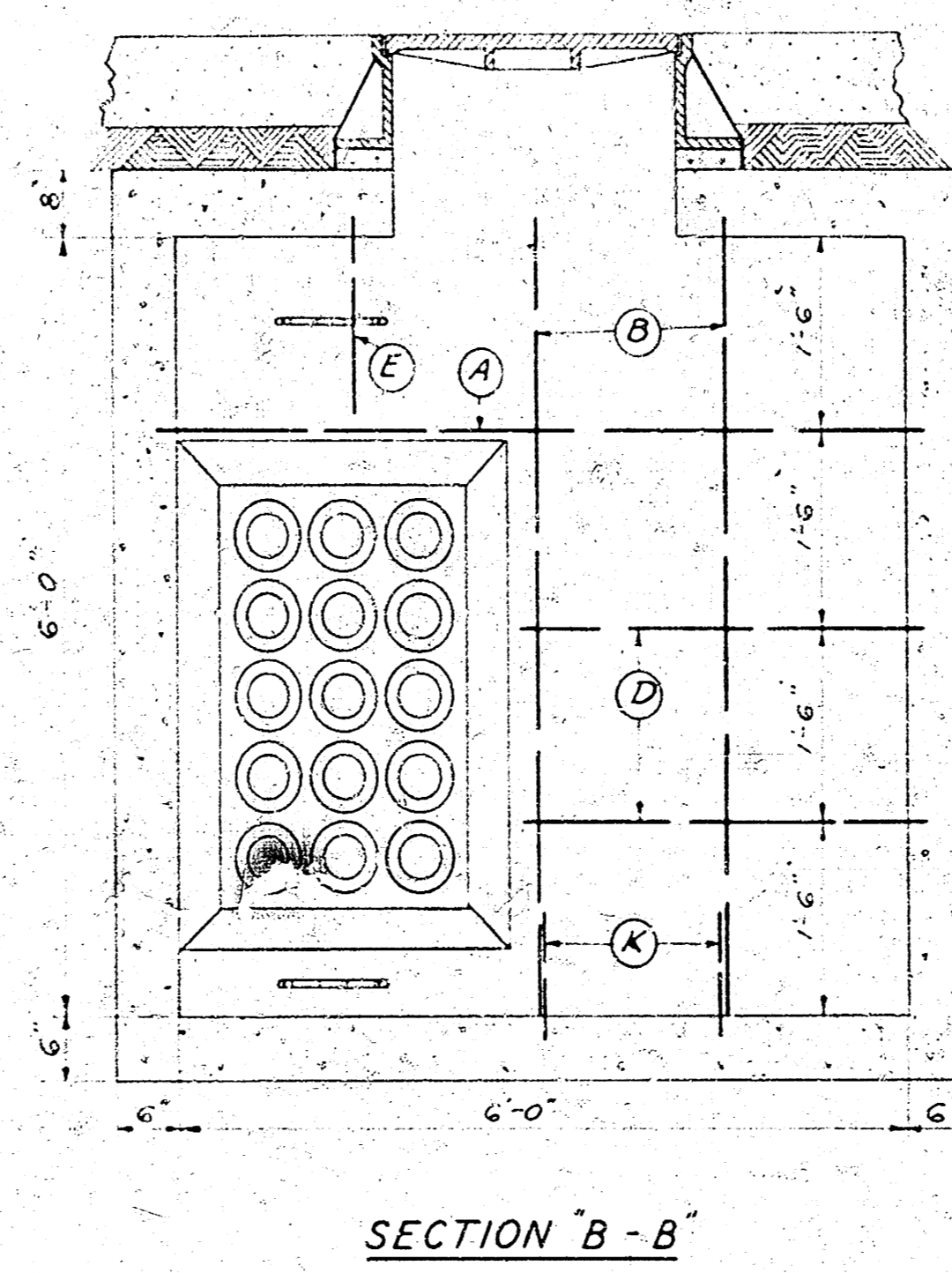
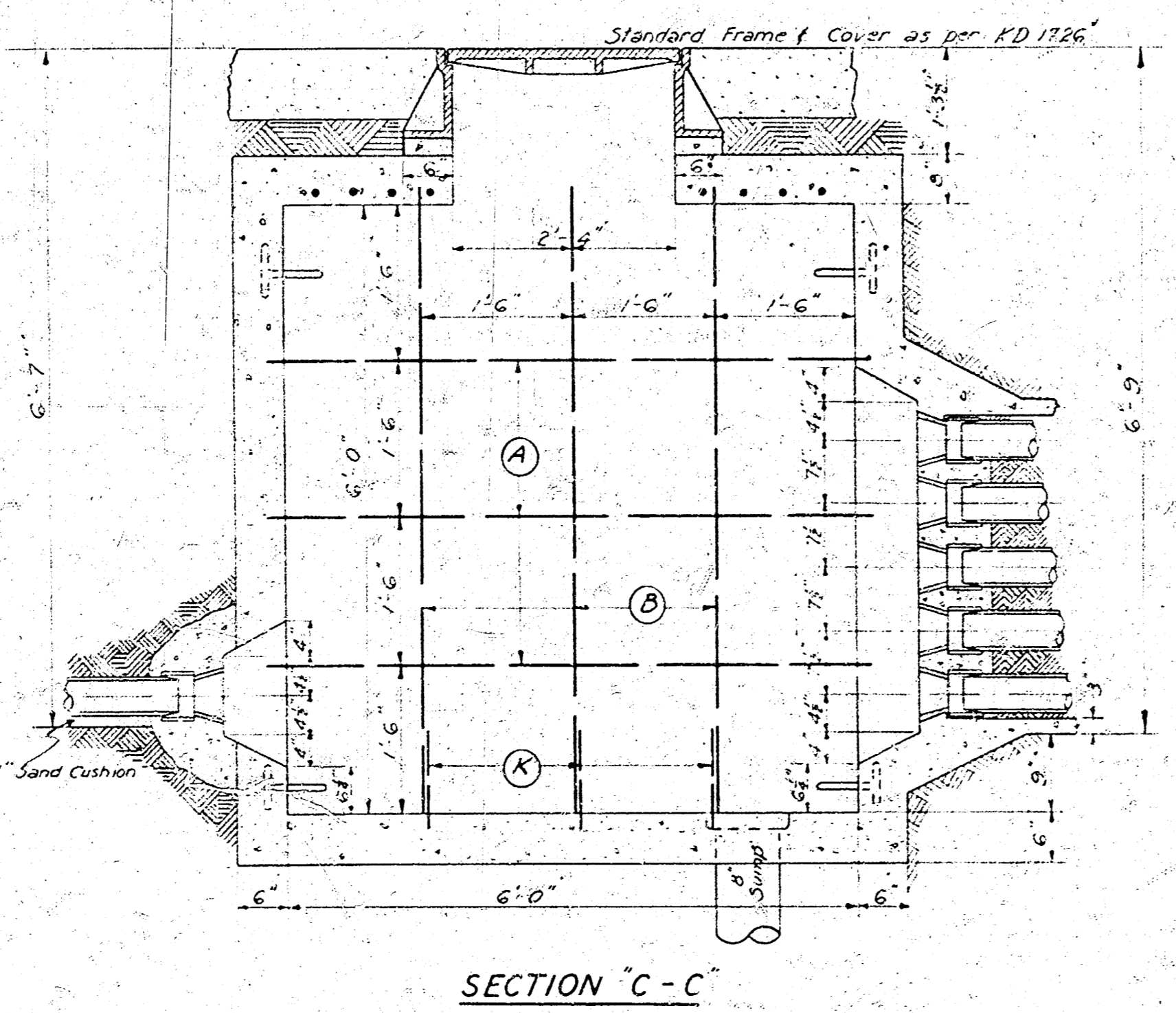
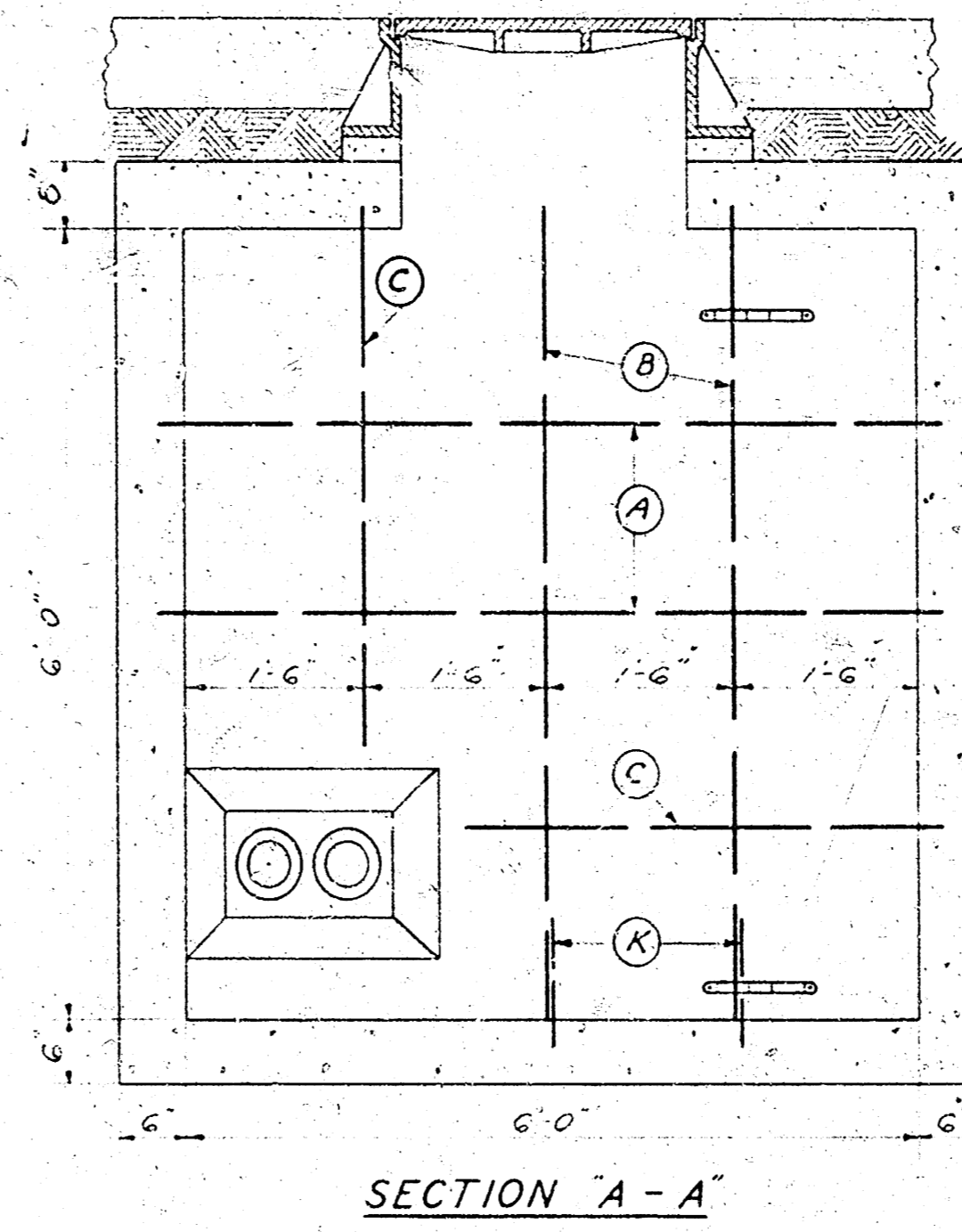
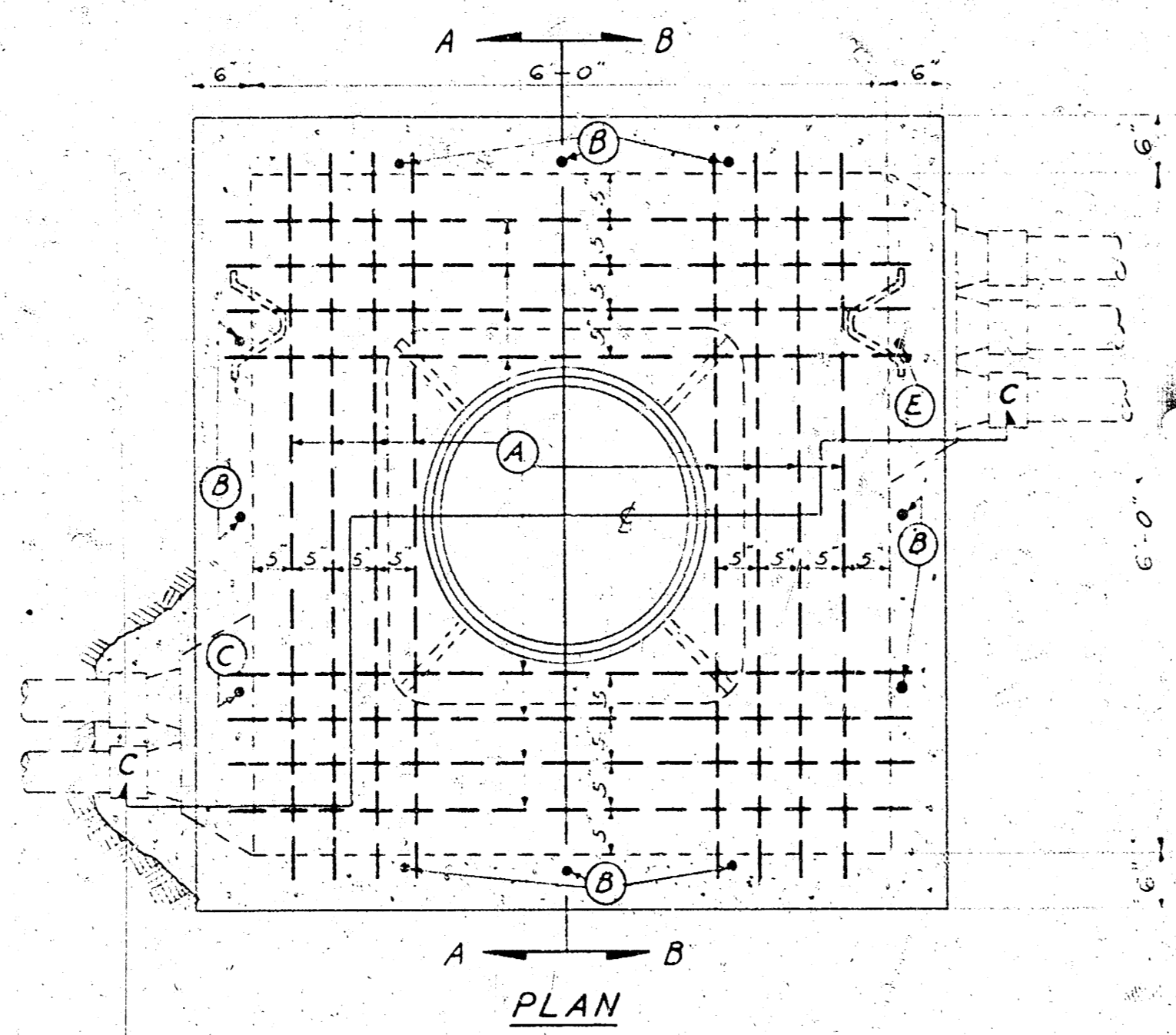
Mark	Reqd Size	Length	Position	Remarks
A	2 1/2"	10'-9"	Roof	Straight
B	2 "	10'-3"	"	"
C	2 "	8'-3"	"	"
D	2 "	8'-3"	"	"
E	10 "	7'-3"	"	"
F	2 "	6'-0"	"	"
G	2 "	5'-0"	"	"
H	14 8" #	6'-9"	Panel A Horiz	"
I	20 "	3'-9"	" B "	See Detail-1
J	6 "	3'-6"	" C "	Straight
K	16 "	7'-6"	" A & B "	"
L	16 "	1'-6"	Dowels	"

**ESTIMATE**

Excavation	Cu Yds.	27.3
Backfill	"	3.5
Surplus	"	24.0
Concrete (3000") 1:2:4 mix	"	9.0
Sand		
Cement		
Steel		
Drawn Irons - Line Material #	2850 1762	A
Manhole Casting	3F # 9C	
Sewer Tile	5"	1
Duct Bells		Field

WICHITA UNDERGROUND SYSTEM  
 TWO WAY MANHOLE  
 KORDUCT DUCT BANK-3 WIDE  
 MARCH 31, 1934 SCALE 1/2"=1'-0"  
 APPROVED *[Signature]* ENGINEER  
 KANSAS GAS AND ELECTRIC COMPANY  
 WICHITA, KANSAS  
 KD-1779

DRAWN BY: K. G. L. 10-10-34  
 CHECKED BY: [Signature]  
 REVISIONS: [Table with 2 columns: No., Description]

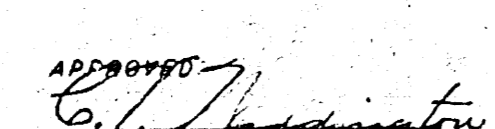


ESTIMATE	
Excavation	15 cu yds
Surplus	14 cu yds
Concrete Floor	1 cu yds
Concrete Walls	2.9 cu yds
Concrete Roof	0.9 cu yds
Concrete Collar	605 cu yds
Concrete Total	485 cu yds
Cement	79 sacks
Sand	5.2 cu yds
Steel	16.2 lbs
Sewer Tile - 8"	1 ea
Frame & Cover	1 ea
Pulling Iron	1 ea
Conduit Bell Porcelain	17 ea

CONCRETE - 1 Part Cement : 4 Parts Sand

STEEL			
MARK	REQ'D	SIZE	LENGTH
A	25	$\frac{3}{8}$ "	6'-6"
B	10	$\frac{3}{8}$ "	6'-3"
C	2	$\frac{3}{8}$ "	4'-0"
D	2	$\frac{3}{8}$ "	3'-3"
E	1	$\frac{3}{8}$ "	1'-6"
K	10	$\frac{3}{8}$ "	1'-0"

DATE	REVISION	BY	CHK'D	APP'D
7-27-35				
7-29-35				
7-31-35				

APPROVED  
  
 DATE: 7-31-35 ENGINEER

WICHITA UNDERGROUND SYSTEM  
 SERVICE HOLE 829  
 2ND. ST. & ST. FRANCIS ST.  
 JULY 30 1935  
 KANSAS GAS AND ELECTRIC COMPANY  
 WICHITA, KANSAS

SCALE:  $\frac{3}{8}$ " = 1'-0"  
 KD-1787