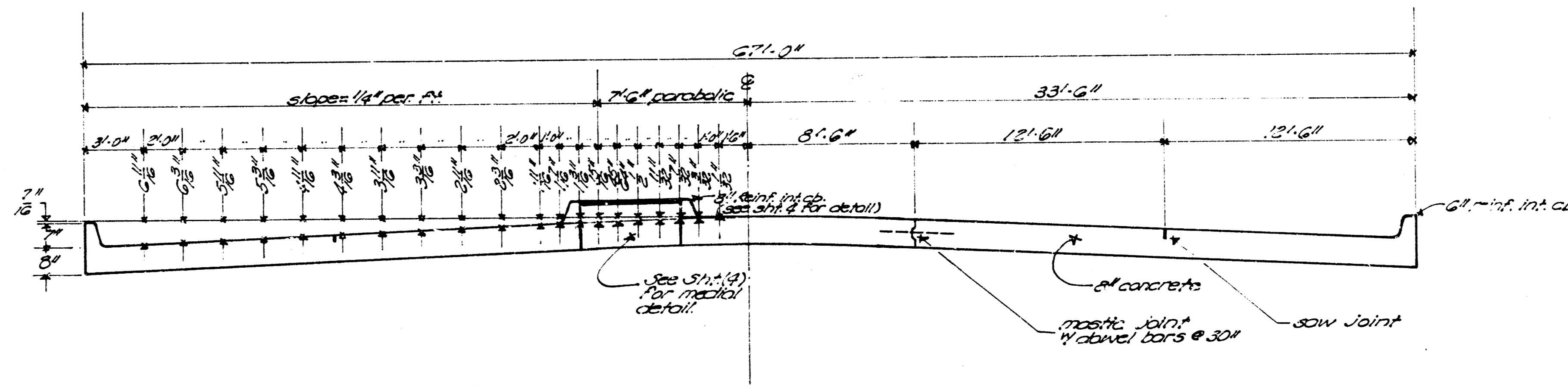
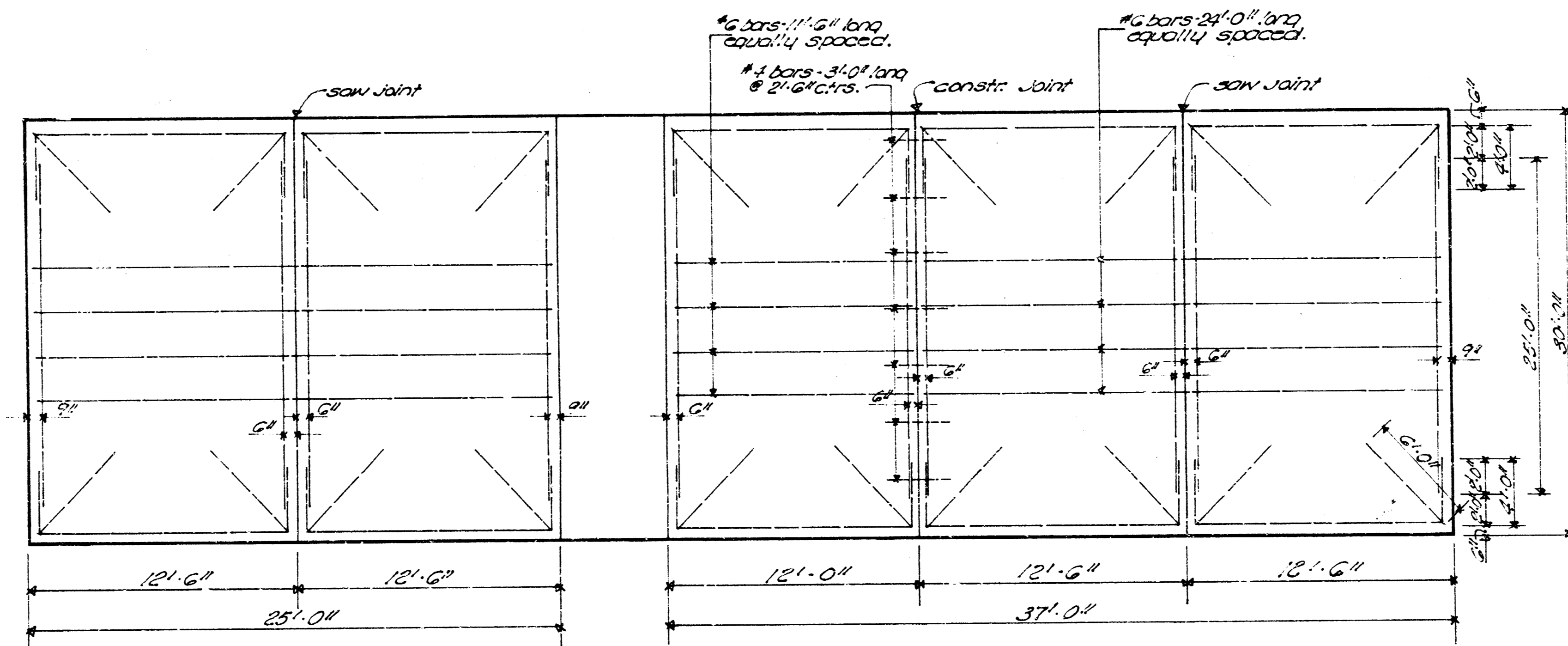


CENTRAL AVE.
 E.L. CHAUTAUQUA TO 185' E. OF G. VASSAR AVENUE N.
 C17-3

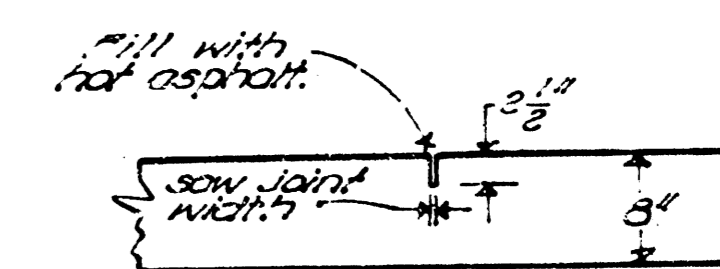


• TYPICAL SECTION •

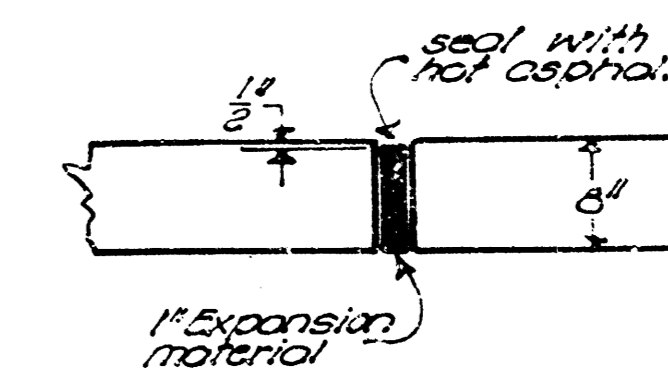


• STEEL PATTERN •

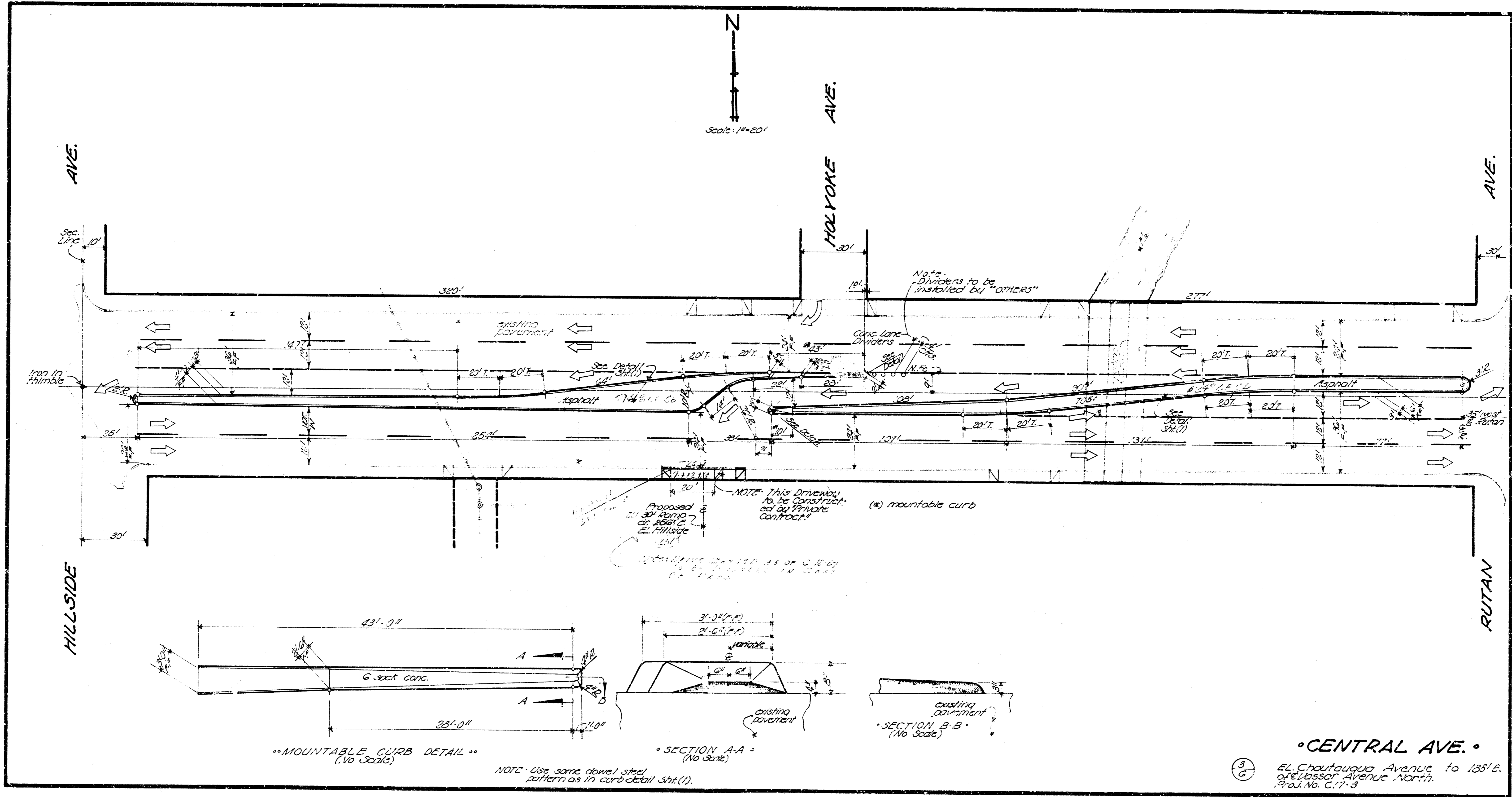
• NOTE •
 Use #6 bars
 thru out unless
 otherwise noted.



• TRANSVERSE & LONGITUDINAL
 SAW JOINT DETAIL •
 To be used at 30' intervals
 (transverse) except where
 expansion joint is used.

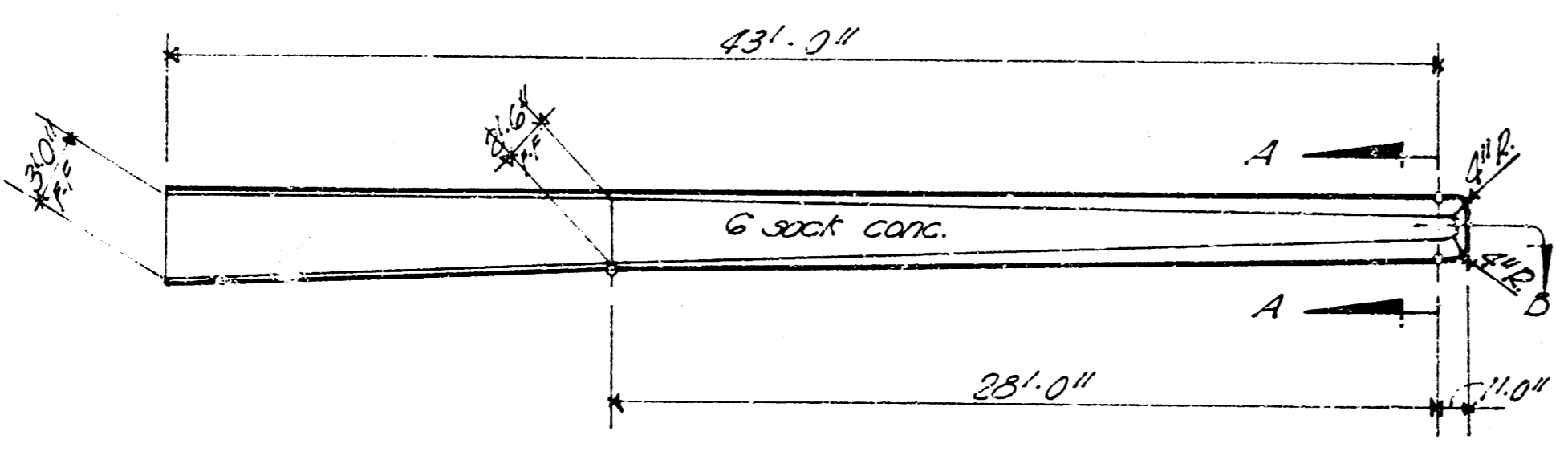


• EXPANSION JOINT •
 To be used at 120' intervals

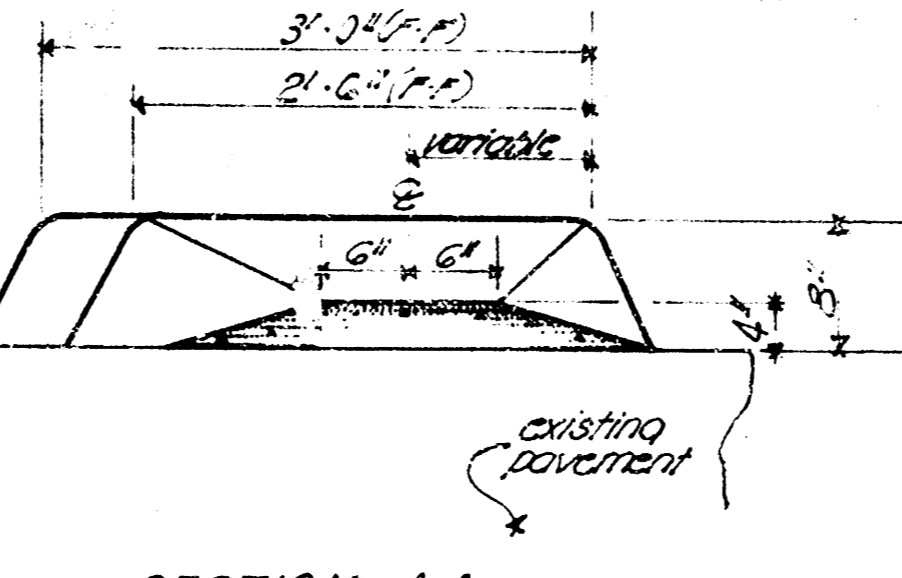


Note: Dividers to be installed by "OTHERS"

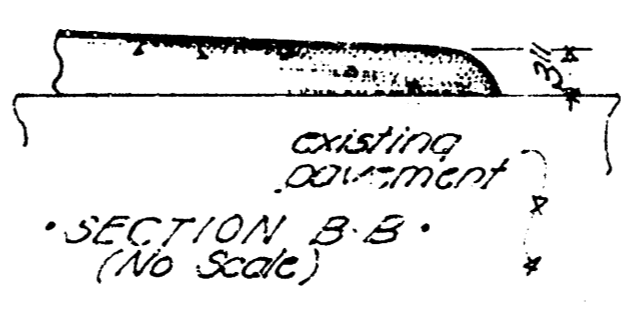
NOTE: This Driveway to be constructed by Private Contractor



••MOUNTABLE CURB DETAIL••
(No Scale)



• SECTION A-A •
(No Scale)



• SECTION B-B •
(No Scale)

NOTE: Use same dove/ stud pattern as in curb detail SH. (1)

• CENTRAL AVE. •

3/6
El. Chautauque Avenue to 185'E.
of Elvasser Avenue North.
Proj. No. C.17.3

