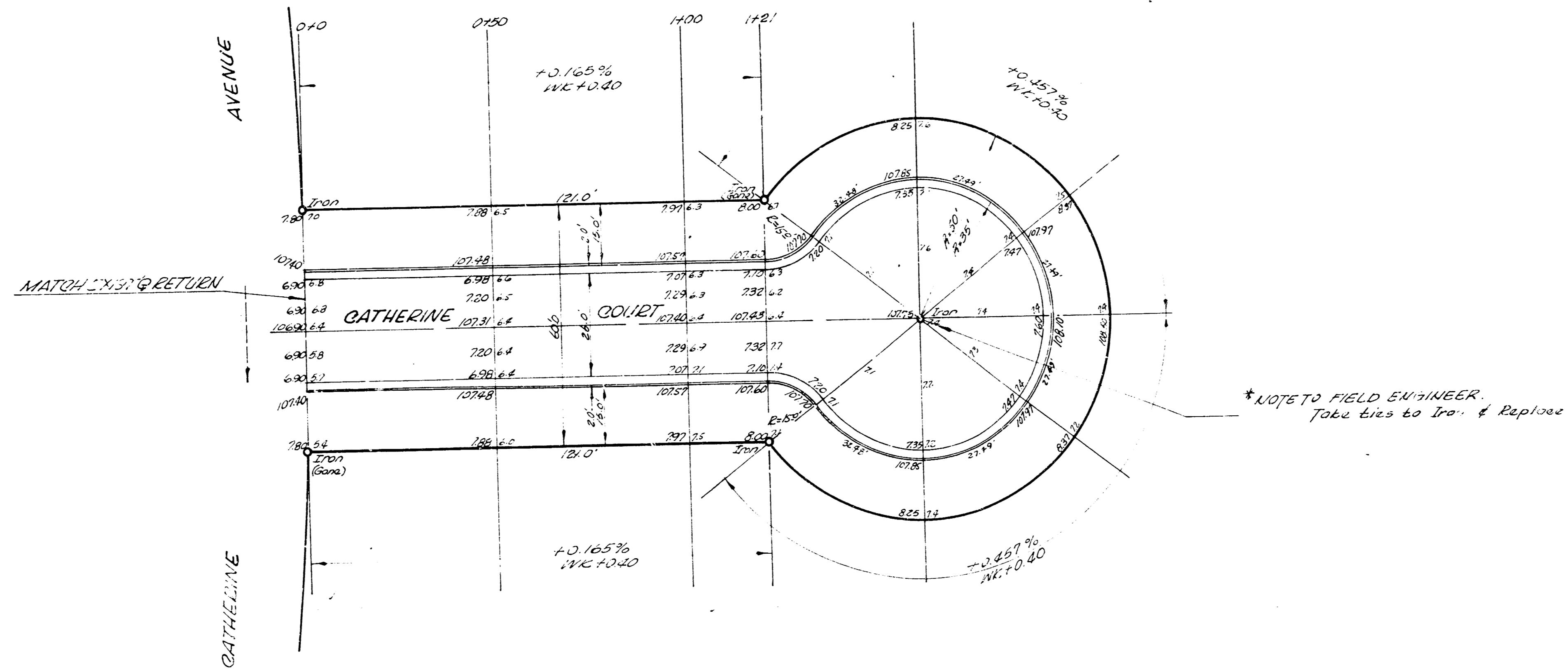
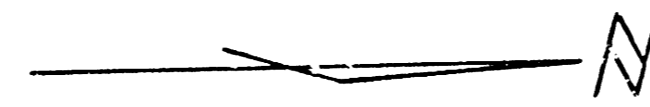


3.11 E. of Globe Catherine, SL. Coy 10655



G. H. Myers
S. B. Co.

LIST OF QUANTITIES	
755.5	sq. ft. Asphalt pavement
415.0	lin. ft. curb and gutter
22.8	cu. yds. Excavation
20.8	cu. yds. Compacted fill
2410	lin. Lumbering steel

*NOTE: No prices figures are definite

CATHERINE COURT
 N. L. CATHERINE AVE - NORTH
 26'-2'-30" A.C.
 CITY OF WICHITA, KANS.
 B. E. SMITH CITY ENGINEER
 OCT. 1957 PRIVATE PROJ.