

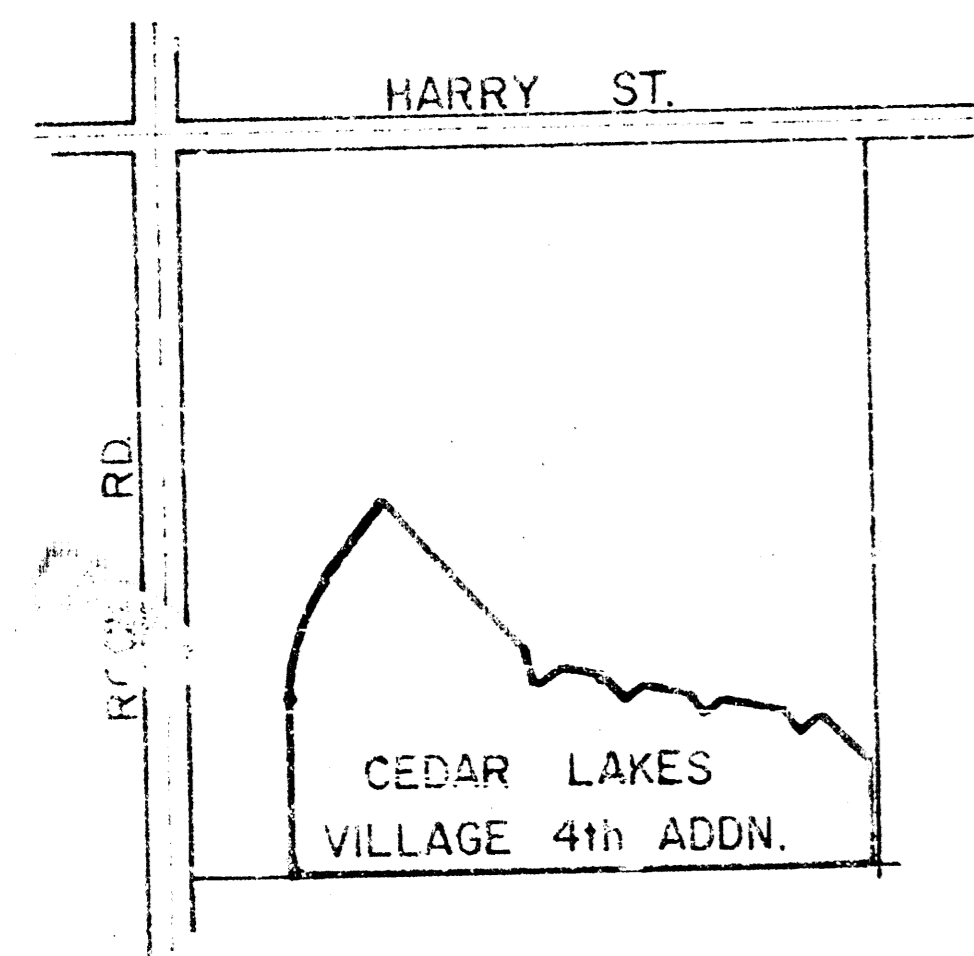
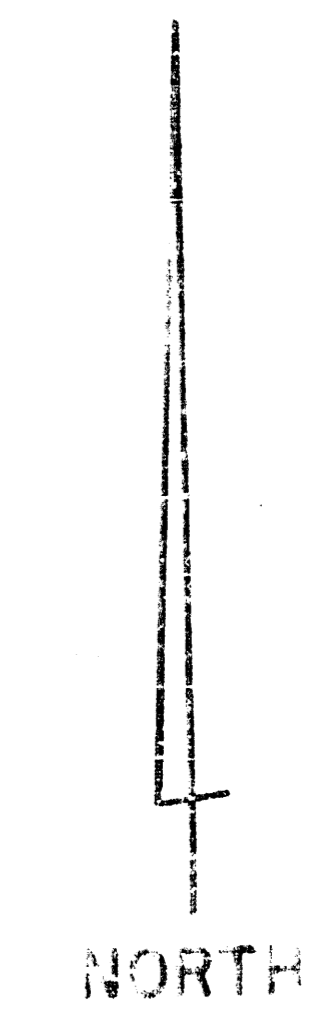
DRAINAGE
in connection with the
Streets in
Cedar Lakes Village 4th Addition

MT. VERNON

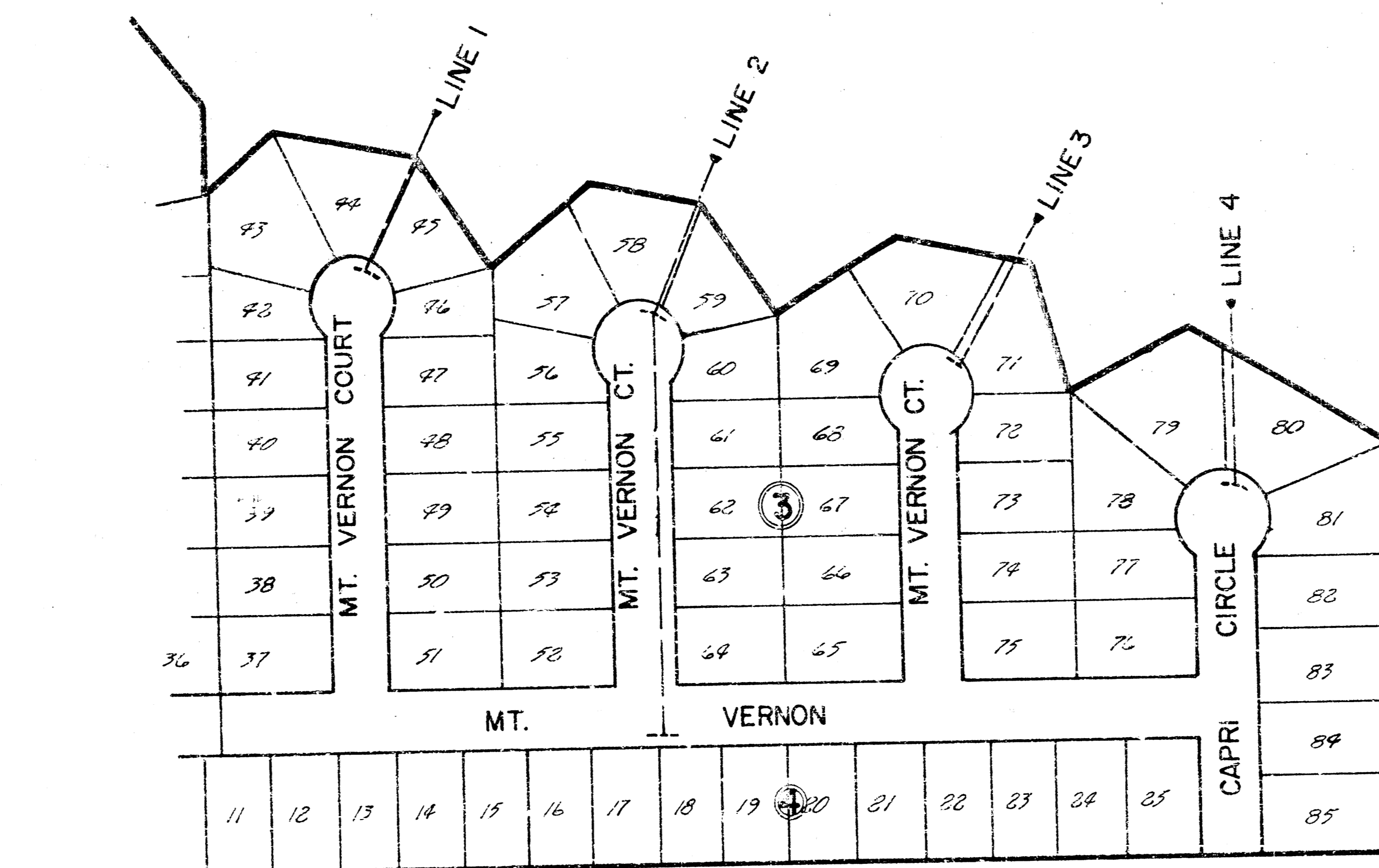
E.L. lot 36, Blk. 3, Cedar Lakes Village 4th Addn. to the W.L. Capri Circle
MT. VERNON COURT (lots 37-51, Blk. 3, Cedar Lakes Village 4th Addn.)
 N.L. Mt. Vernon to & incl. Cul-de-Sac
MT. VERNON COURT (lots 52-64, Blk. 3, Cedar Lakes Village 4th Addn.)
 N.L. Mt. Vernon to & incl. Cul-de-Sac
MT. VERNON COURT (lots 65-75, Blk. 3, Cedar Lakes Village 4th Addn.)
 N.L. Mt. Vernon to & incl. Cul-de-Sac

CAPRI CIRCLE

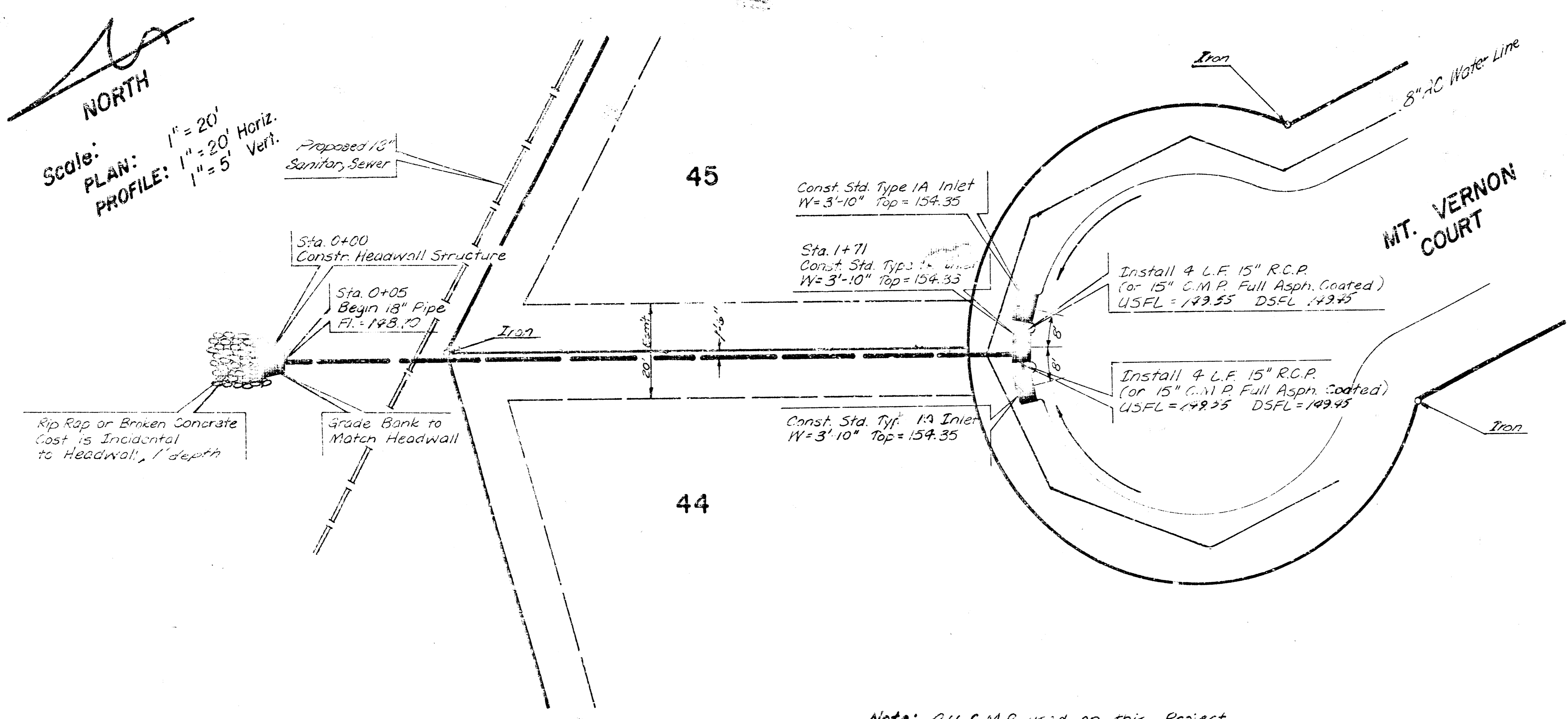
S.L. Cedar Lakes Village 4th Addn. to & incl. Cul-de-Sac



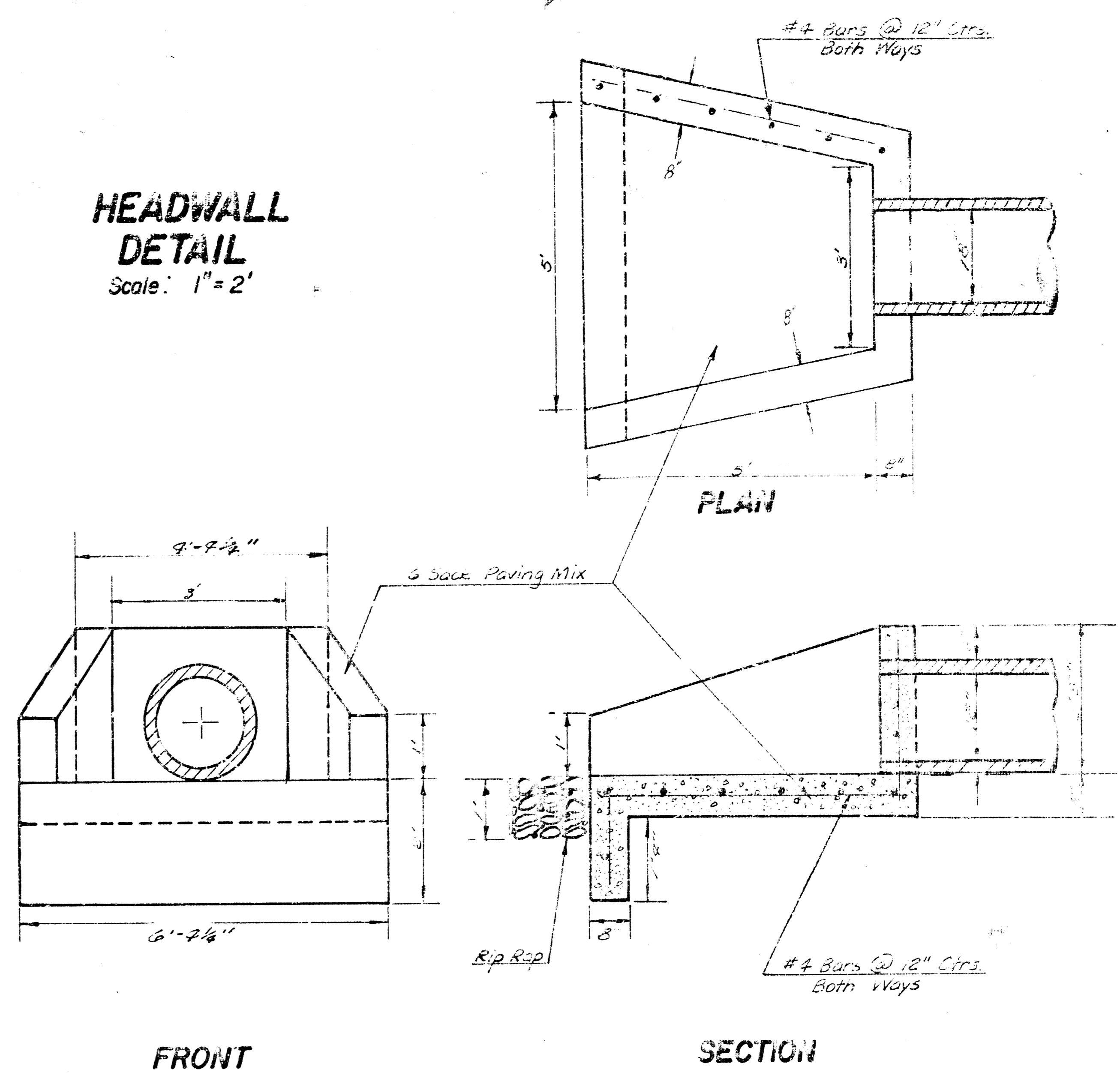
CITY of WICHITA, KANSAS
 R.W. Linn City Engineer
 Proj. No. DAKD 574132



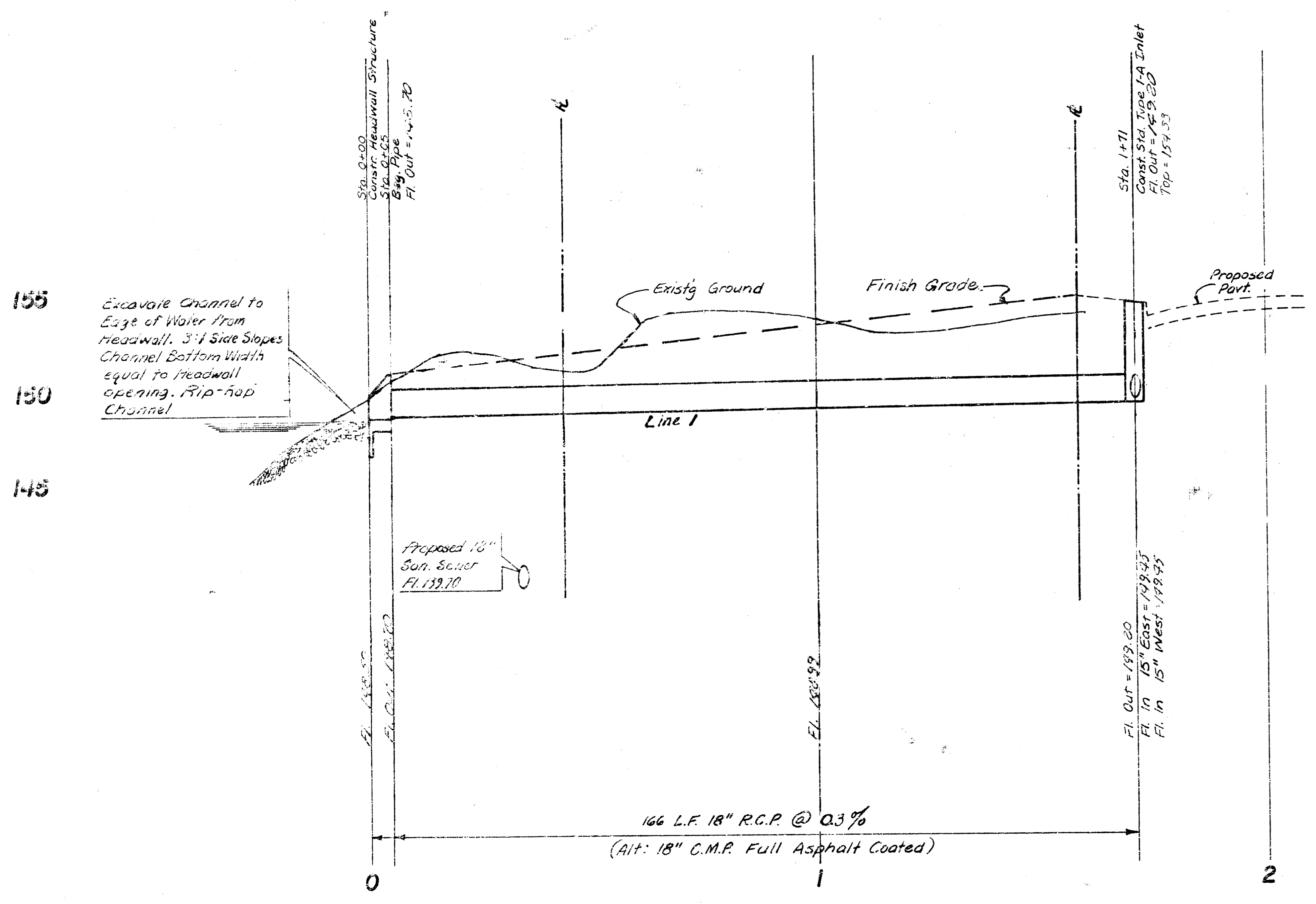
B.M. = 173.72 R.R. Spk. N. Fo. RR 380' W. of W.L. Mt. Vernon Ct. (lots 37-51, Blk. 3, Cedar Lakes Village 4th Addn.)
 @ S.L. Cedar Lakes Village 4th Addn.



**HEADWALL
DETAIL**
Scale: 1" = 2'



Note: All C.M.P. used on this Project
 Shall be Full Asphalt-Coated Helical C.M.P.

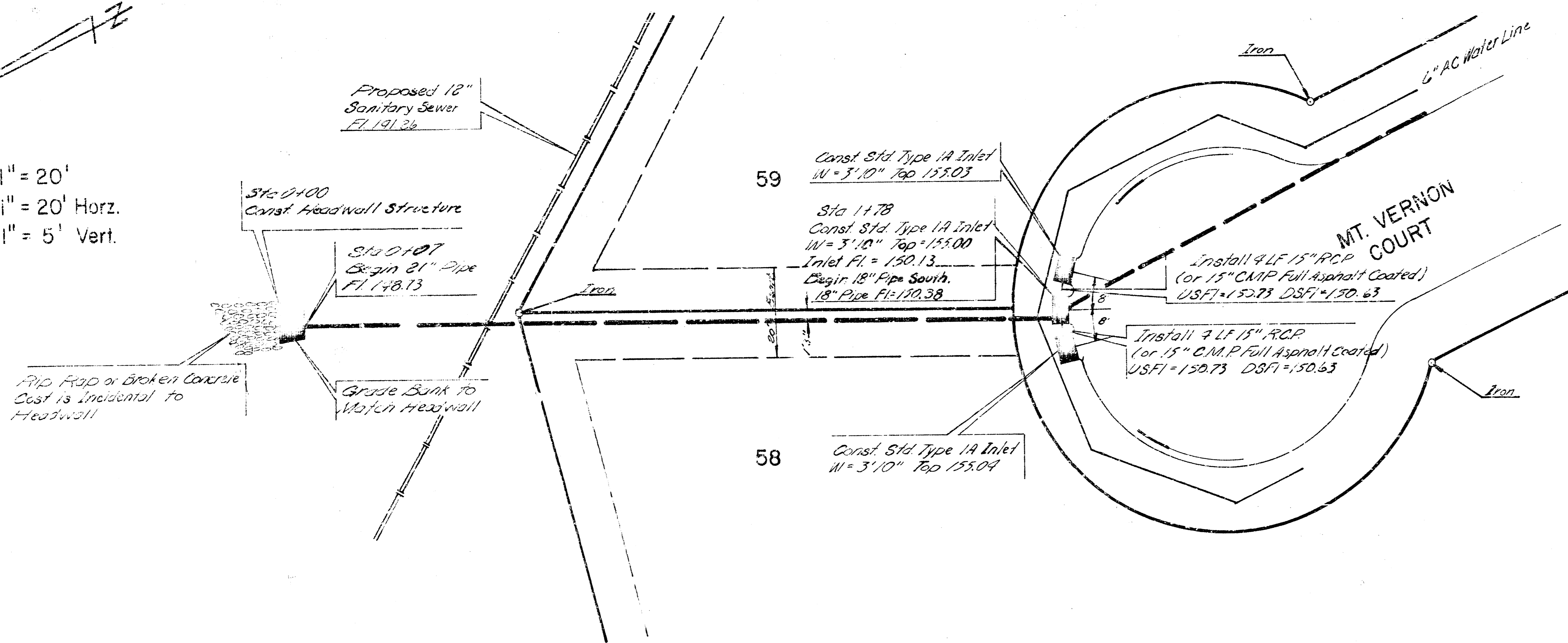


DRAINAGE in connection with
 the paving of Mt. Vernon Ct.
 (lots 37-51, Blk. 3, Cedar Lakes Village
 N.E. Mt. Vernon to 1/2 in. cut-off)
CITY OF WICHITA, KANSAS
 R.W. LINN — CITY ENGINEER
 Proj. No. DAKD574132
 Date: _____

2/7

B.M. 173.72 RR Spike in north face of power pole 380' West of west line of Mt. Vernon Court for lots 37-51, at south line of Cedar Lakes Village 4th Addition.
 B.M. 159.16 RR Spike in north face of power pole at White Oak Drive and 6' South of south line of Cedar Lakes Village 4th Addition.

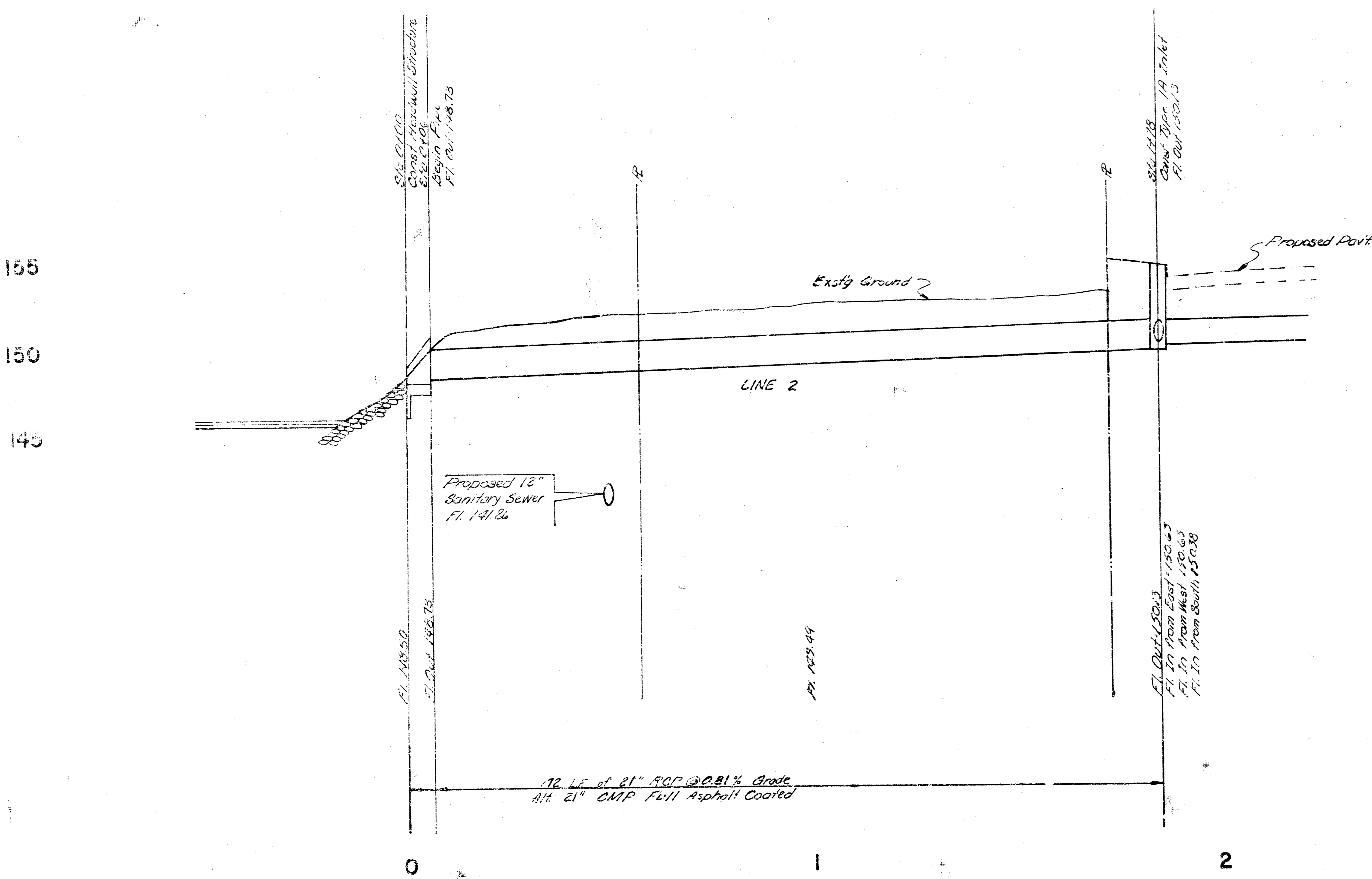
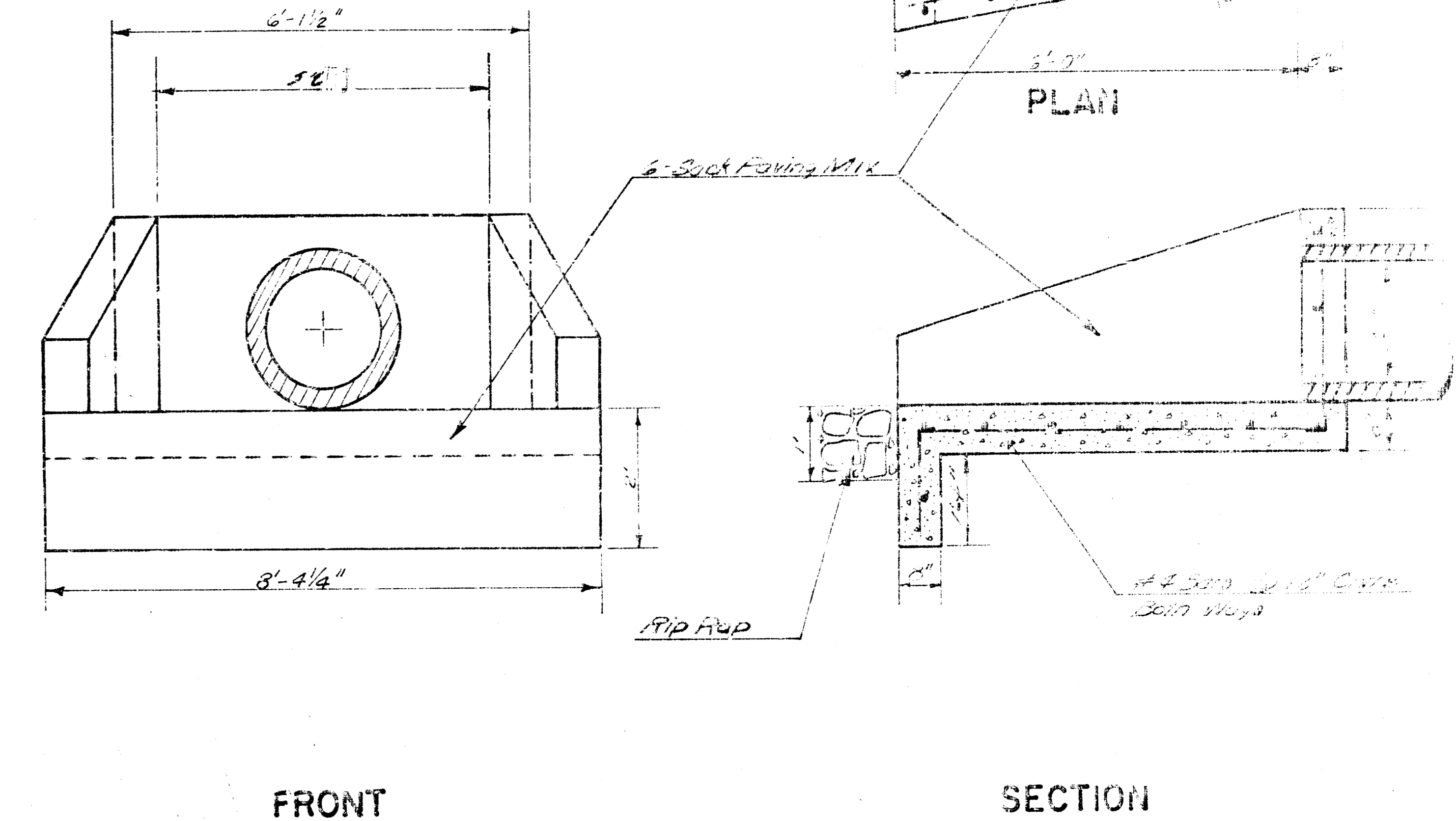
Plan Scale: 1" = 20'
 Profile Scale: 1" = 20' Horz.
 1" = 5' Vert.



Note: All CMP used on this Project Shall be Full Asphalt Coated Helical CMP.

HEADWALL
 DETAIL

Scale: 1" = 2'



DRAINAGE in Connection with the Paving of Mt. Vernon Court (lots 52-68, Blk 3, Cedar Lakes Village 4th Addn. Mt. Vernon to E incl. Cut-de-Sue)

CITY OF WICHITA, KANSAS

R.W. LINN — CITY ENGINEER

Proj. No. DAR0574133

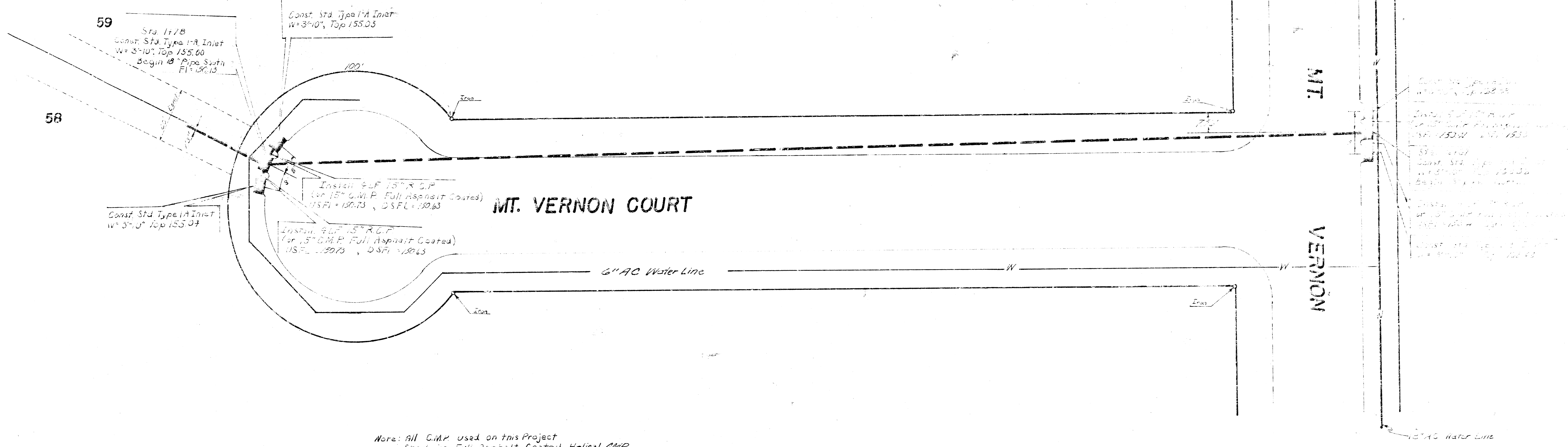
DATE: _____

37

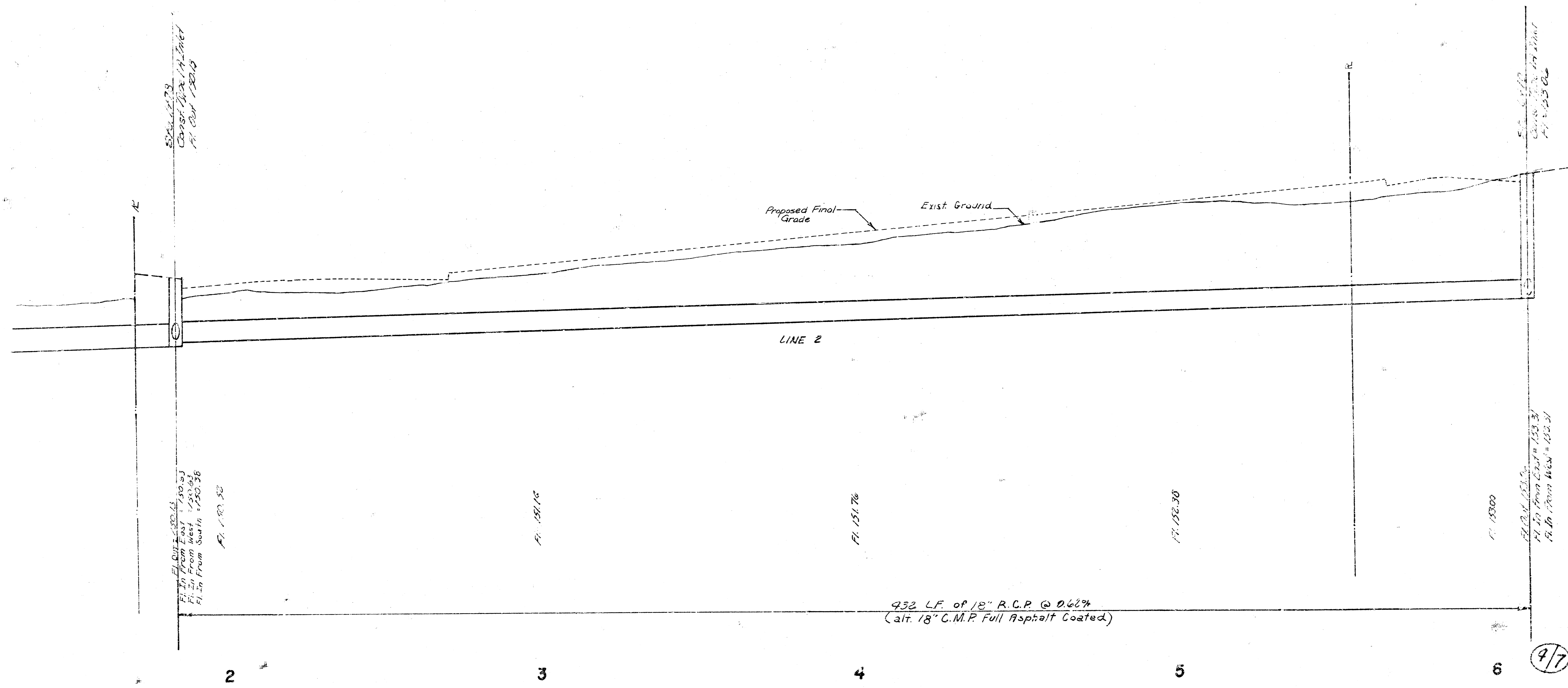
B.M. 173.72 RR Spike in north face of power pole 380' West of west line of Mt. Vernon Court for lots 37 to 51, at south line of Cedar Lakes Village 4th Addition.

B.M. 159.16 RR Spike in north face of power pole at White Oak Drive and 6' South of south line of Cedar Lakes Village 4th Addition.

scale:
plan: 1"=20'
profile: 1"=20' Horiz.
1"=5' Vert.



Note: All C.M.P. used on this Project
Shall be Full Asphalt Coated Helical C.M.P.

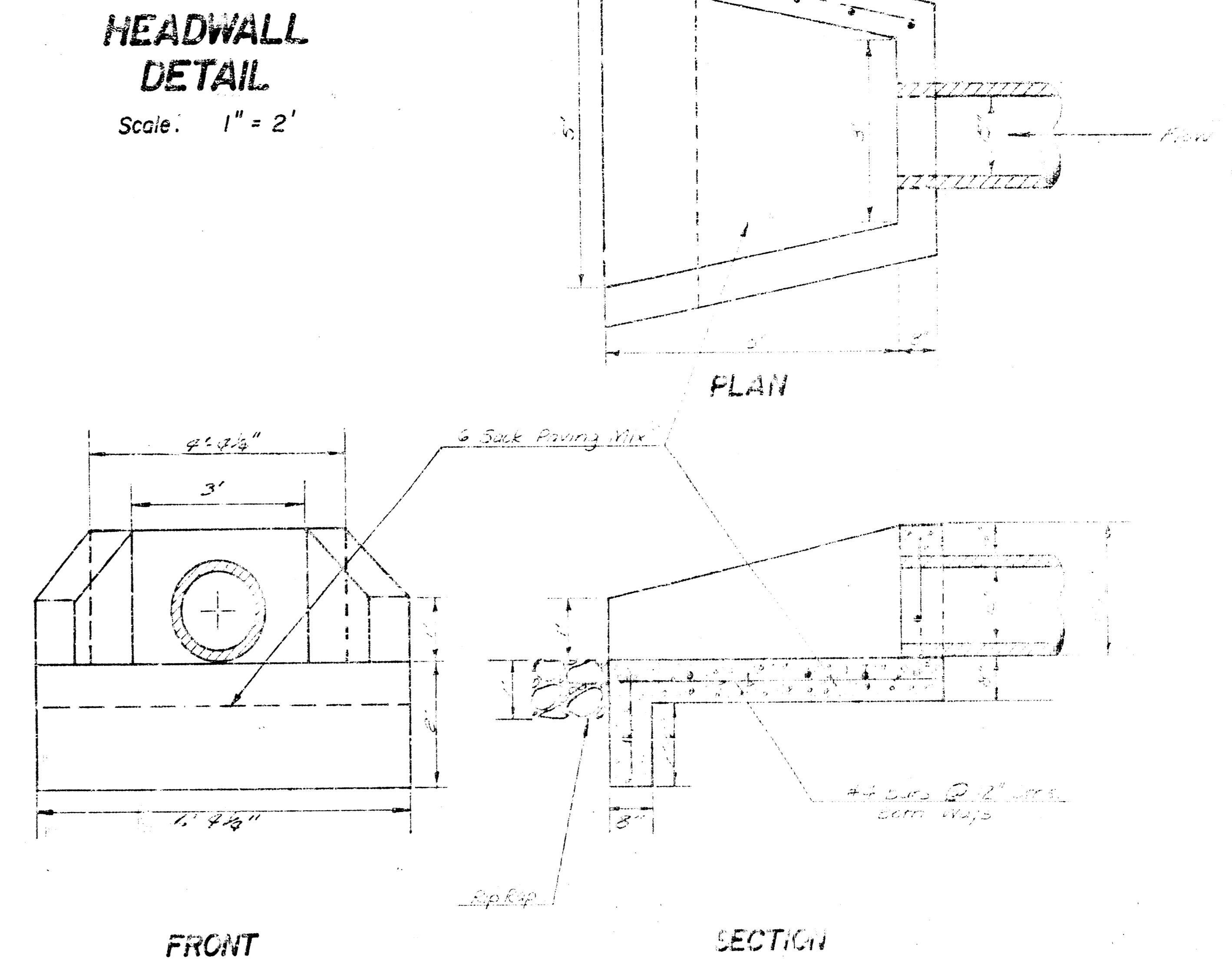
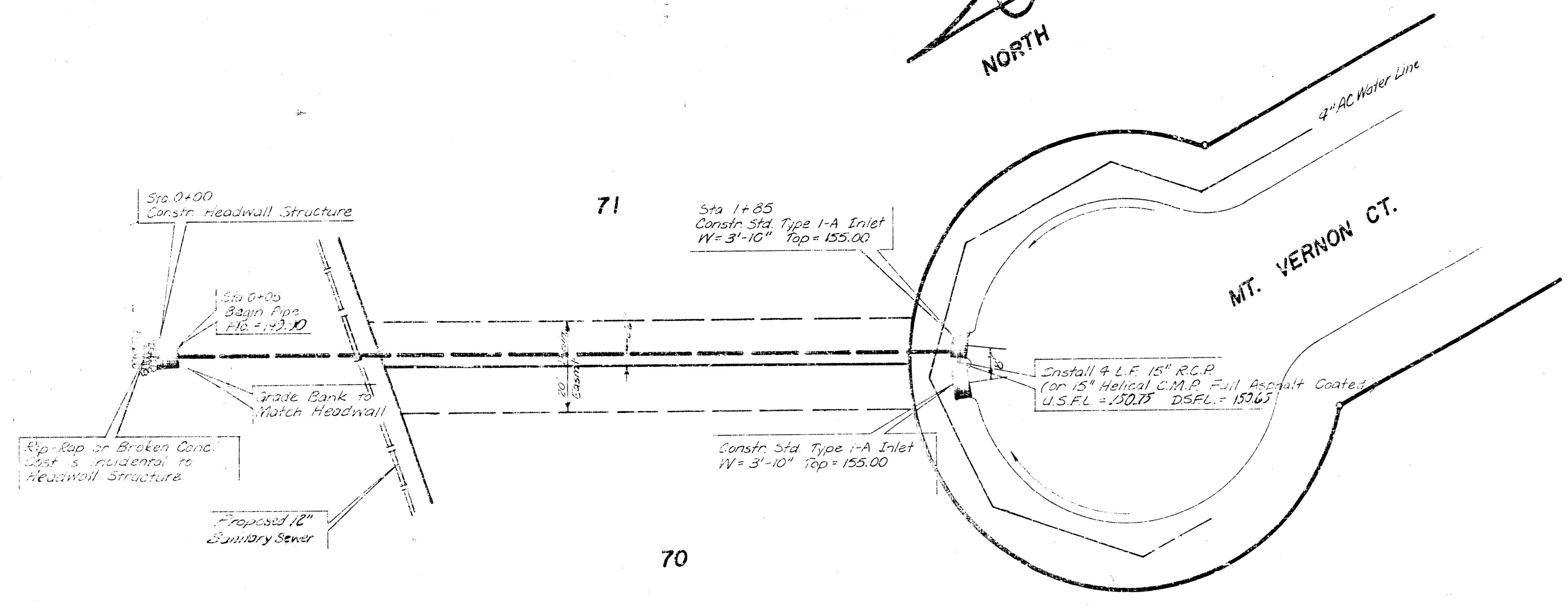


Drainage in Connection with the
Paving of Mt. Vernon Ct.
(lots 32-51, B1A3, Cedar Lakes
Village #4)
N.L. Mt. Vernon to & incl. Cur-de-s.
CITY OF WICHITA, KANS.
RW. LIND — CITY ENGINEER
Proj. No. DARD57432
Date: _____

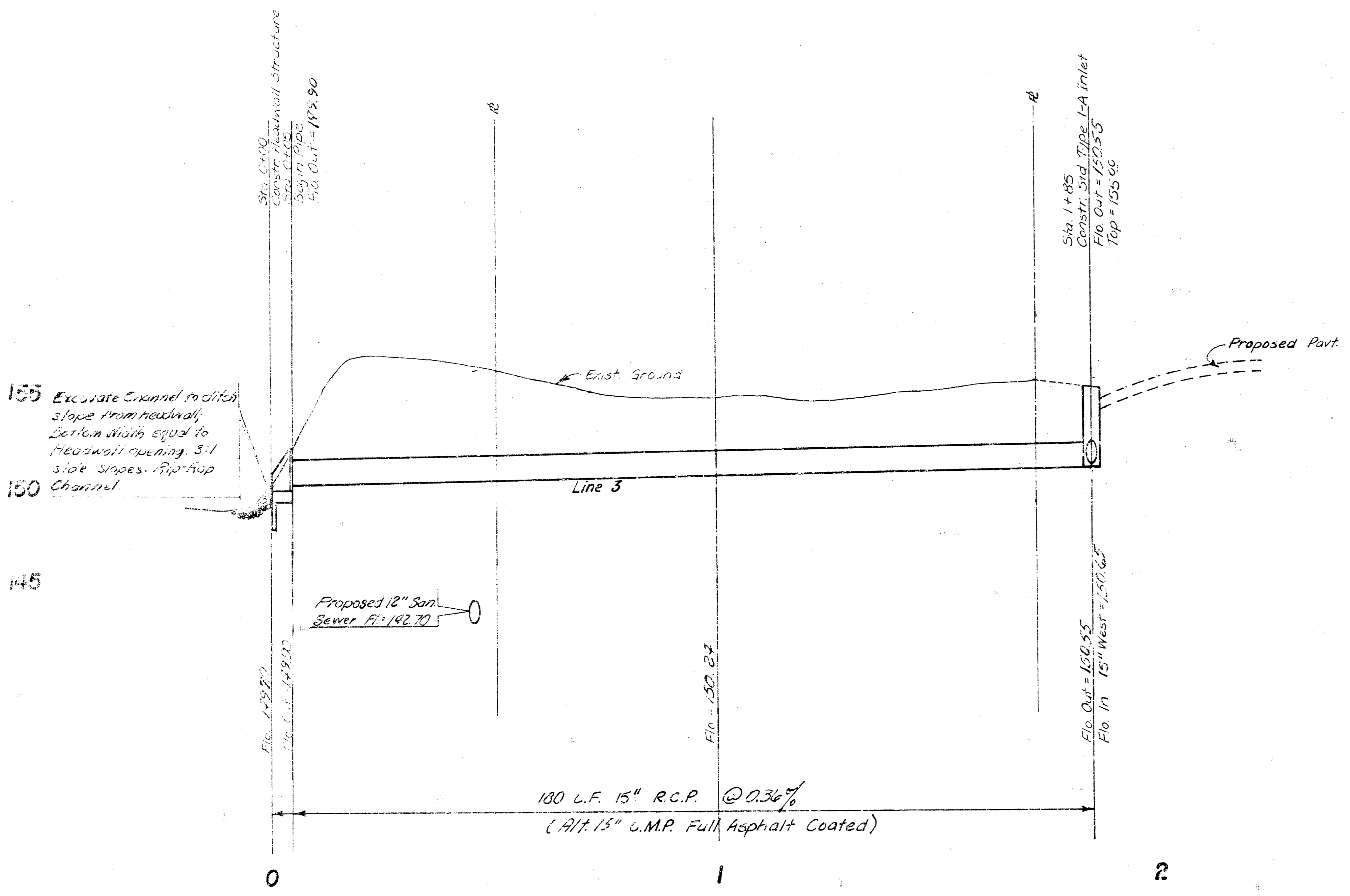
9/7

D.M. = 173.72 R.R. Spike N. Ec. P.P. 380' W. of W.L. Mt. Vernon Ct. (lots 37-51)
 @ S.L. Cedar Lakes Village 4th Addn.

Scale: PLAN: 1" = 20'
 PROFILE: 1" = 20' HORIZ.
 1" = 5' VERT.



Note: All CMP used on this Project shall be Full Asphalt Coated Helical CMP.

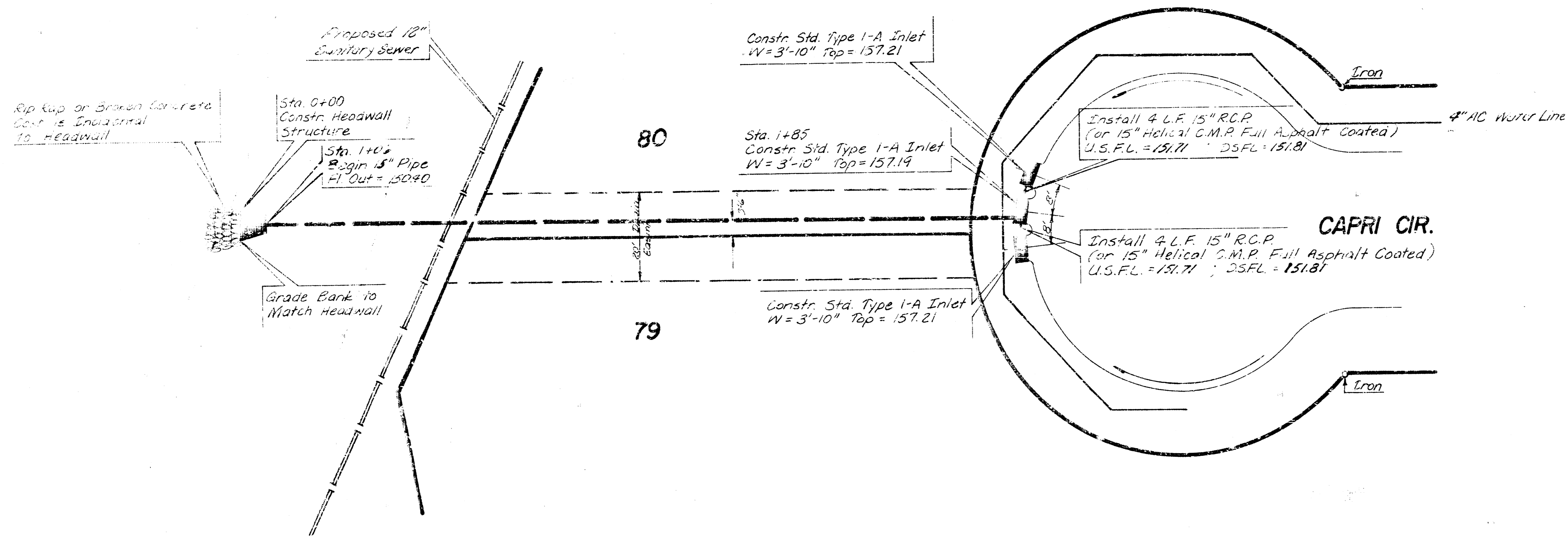


Drainage in Connection with
 the Paving of Mt. Vernon Ct.
 (lots 45-75, Blk 3, Cedar Lakes Village 4
 N.E. Mt. Vernon to & incl. Cul-de-Sac)
CITY OF WICHITA, KANSAS
 R.V. LINN — CITY ENGINEER
 Proj. No. 2AKD57-132
 Date: _____

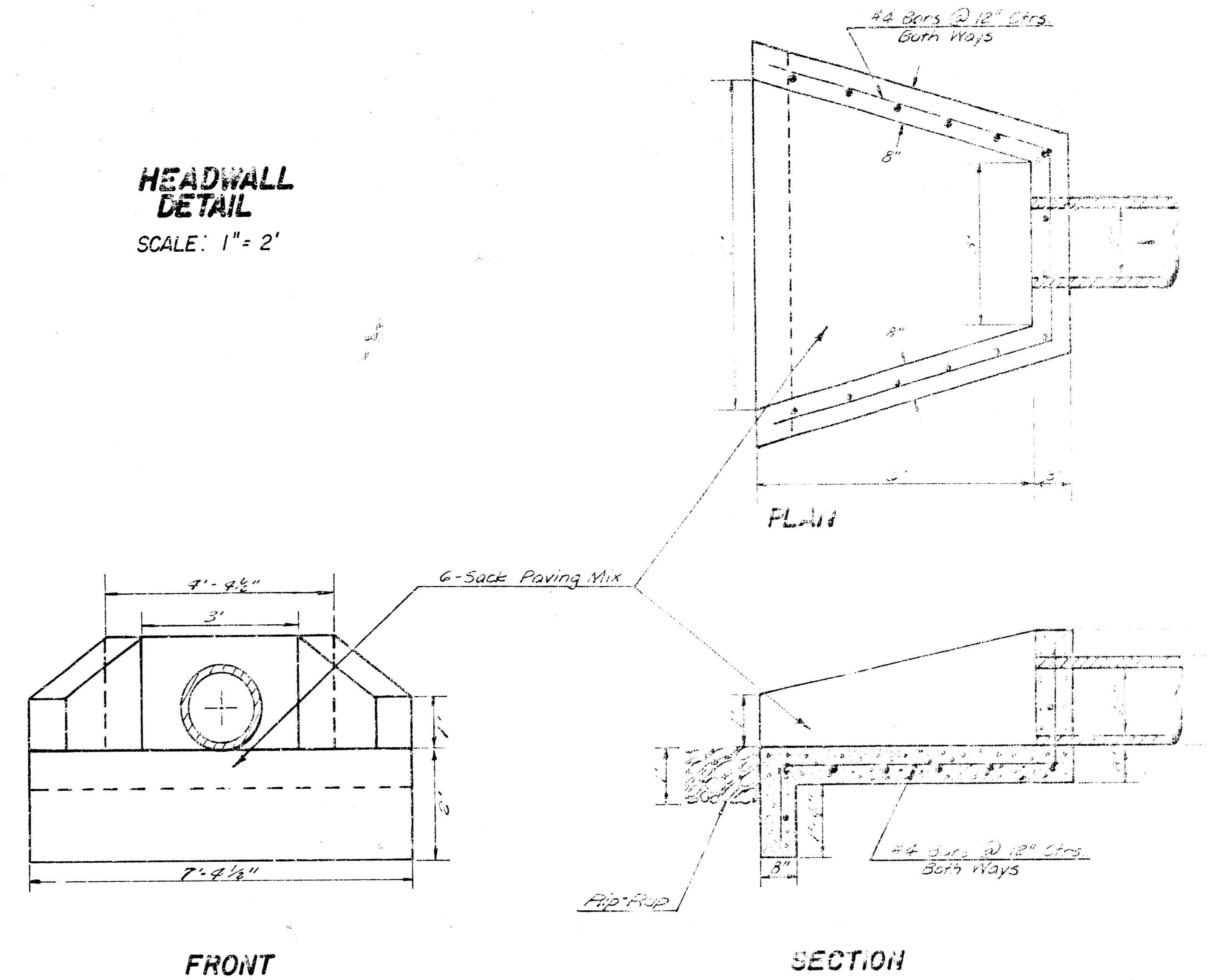
37

B.M. = 164.60 R.R. Spk. N.E. Side Small Box Eder Tree 12' W. of W.L. Capri Cir.
 @ 5' N. of S.L. Cedar Lakes Village 4th Adm.

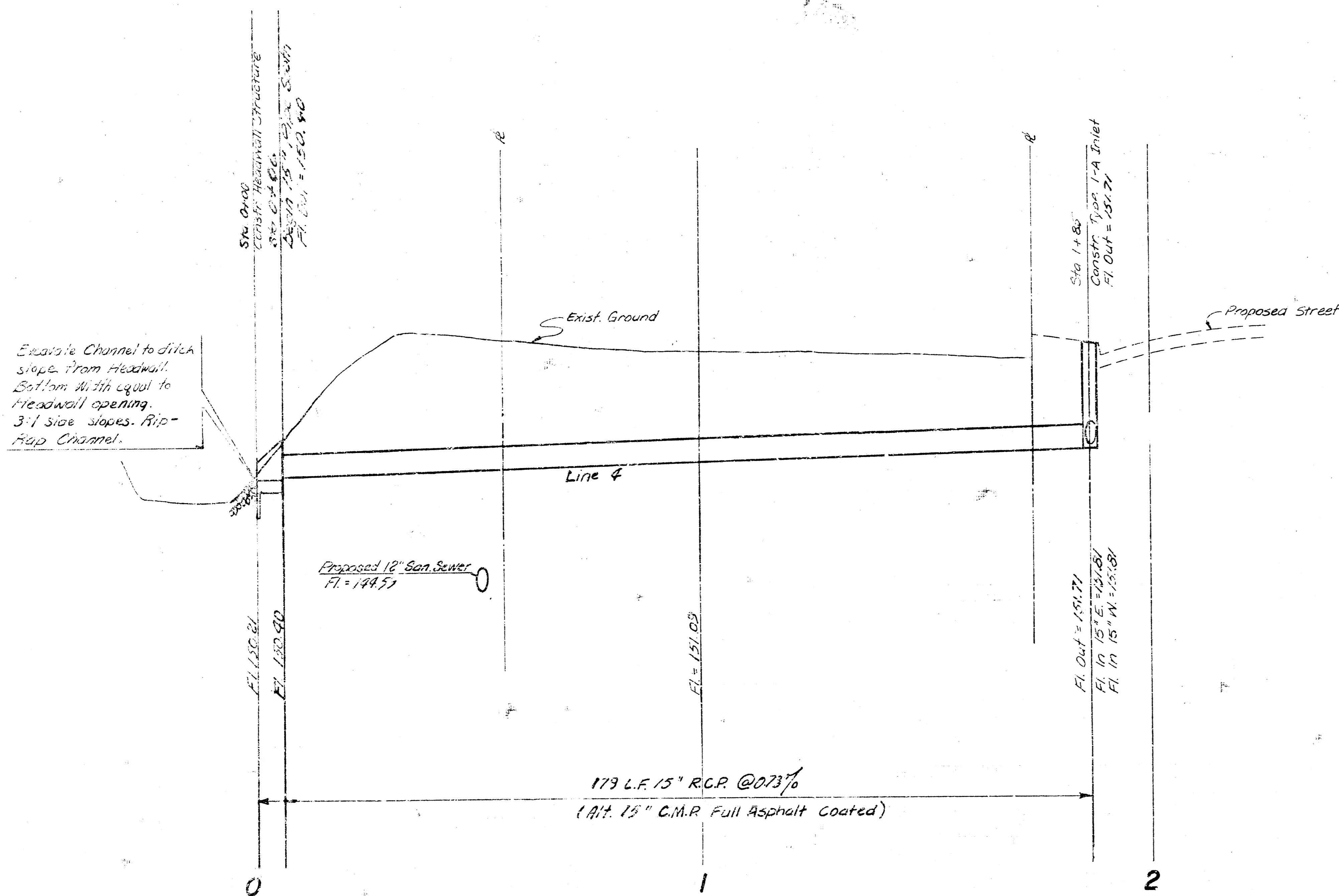
SCALE:
 PLAN: 1" = 20'
 PROFILE: 1" = 20' HORIZ.
 1" = 5' VERT.



HEADWALL
 DETAIL
 SCALE: 1" = 2'



Note: All C.M.P. used on this Project shall be Full Asphalt Coated Helical C.M.P.



DRAINAGE in Connection With
 the Paving of CAPRI CIRCLE
 S.L. Cedar Lakes Village 4th Adm.
 to & Incl. Cul-de-Sac
CITY of WICHITA, KANSAS
 R.W. LINN — CITY ENGINEER
 Proj. No. DA0574132
 DATE: _____

6/7

