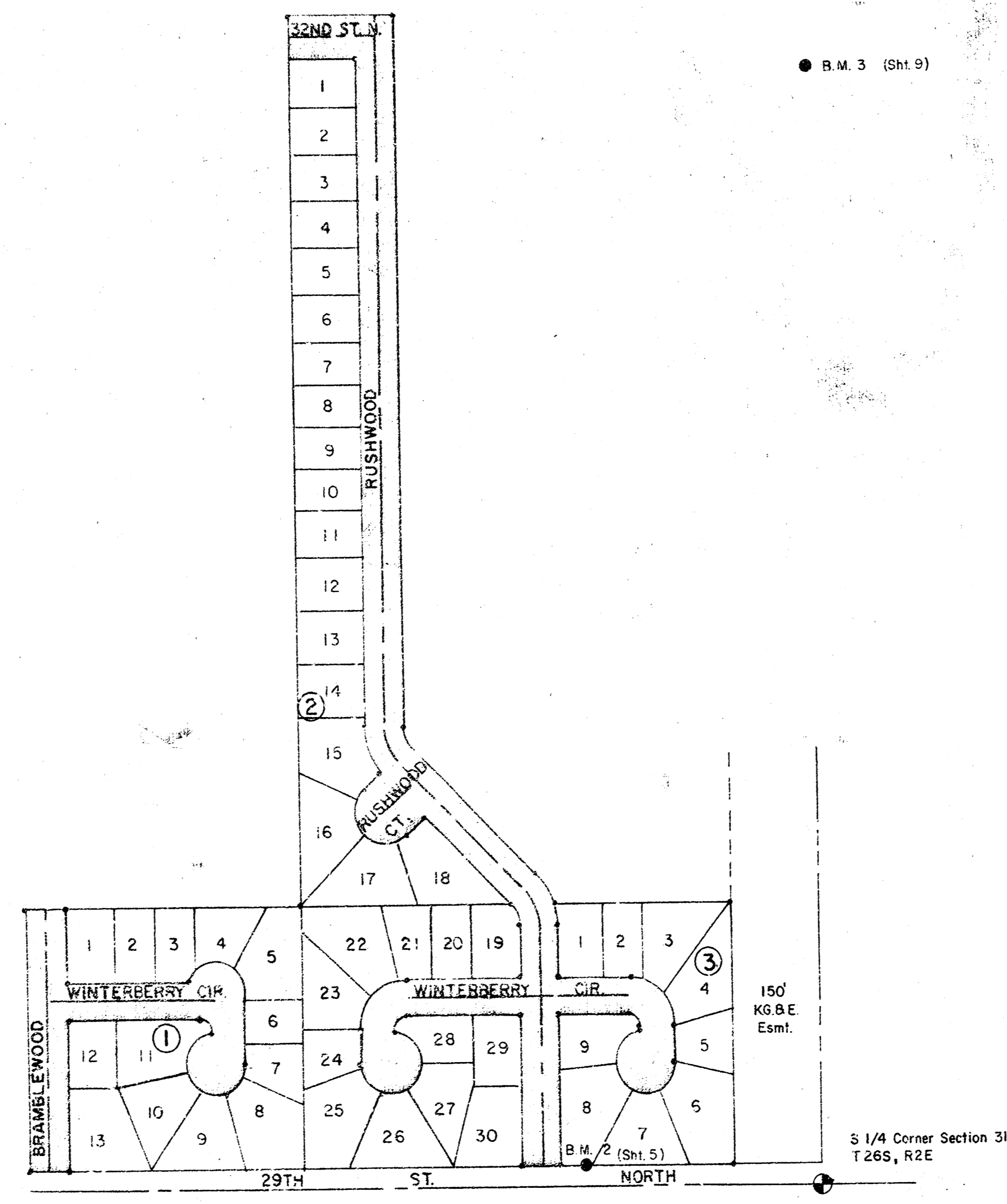


STREETS IN COTTONWOOD VILLAGE THIRD ADDITION PROJECT NO.

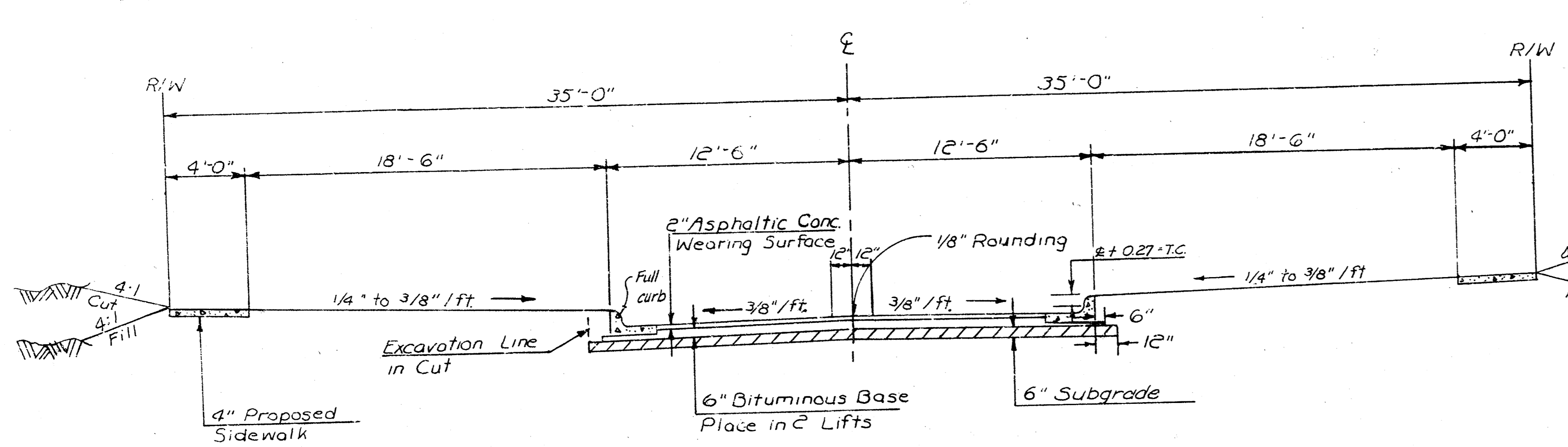
472-76-245-80818-000-000-001

**CITY OF WICHITA, KANSAS
DEAN SELLERS, ACTING CITY ENGINEER**

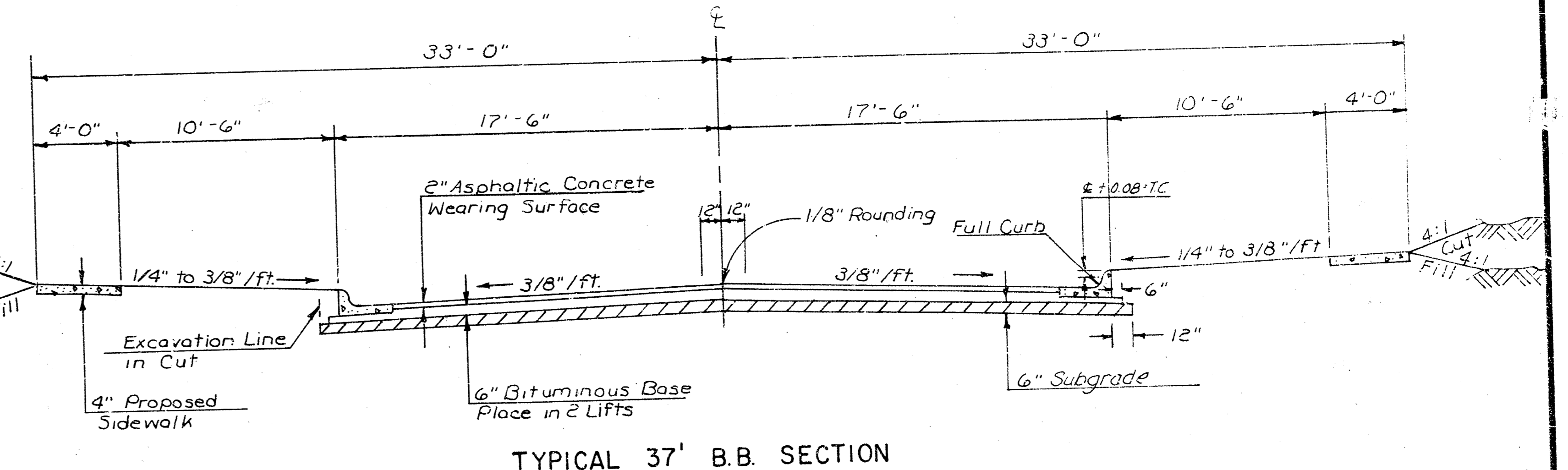
BRAMBLEWOOD FROM N.L. OF 29TH ST. N. TO N.L. OF LOT 1, BLK. 1
RUSHWOOD FROM N.L. 29TH ST. N. TO S.L. OF 32ND ST. N.
RUSHWOOD CT. FROM W.L. OF RUSHWOOD TO W.L. OF RUSHWOOD
32ND ST. N. FROM W.L. OF LOT 1, BLK. 2 TO E.L. OF RUSHWOOD
WINTERBERRY CIR. - SERVING LOTS 1-12, BLK. 1
WINTERBERRY CIR. - SERVING LOTS 19-29, BLK. 2
WINTERBERRY CIR. - SERVING LOTS 1-9, BLK. 3



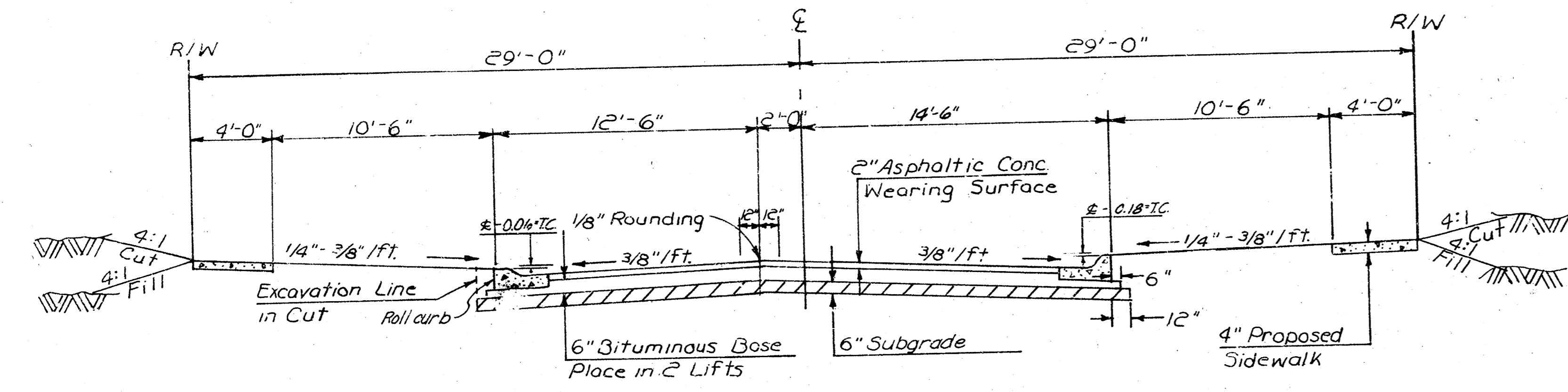
INDEX TO DRAWINGS	
SHEET NO.	DESCRIPTION
1	TITLE SHEET
2	TYPICAL SECTIONS & CURB DETAILS
3	VALLEY GUTTER DETAILS
4	BRAMBLEWOOD
5-9	RUSHWOOD
9	RUSHWOOD COURT
10	WINTERBERRY CIRCLE
11	WINTERBERRY CIRCLE
12	WINTERBERRY CIRCLE
13	32ND STREET
14	CURVE LAYOUT & STAKING INFORMATION
15-22	CROSS SECTIONS



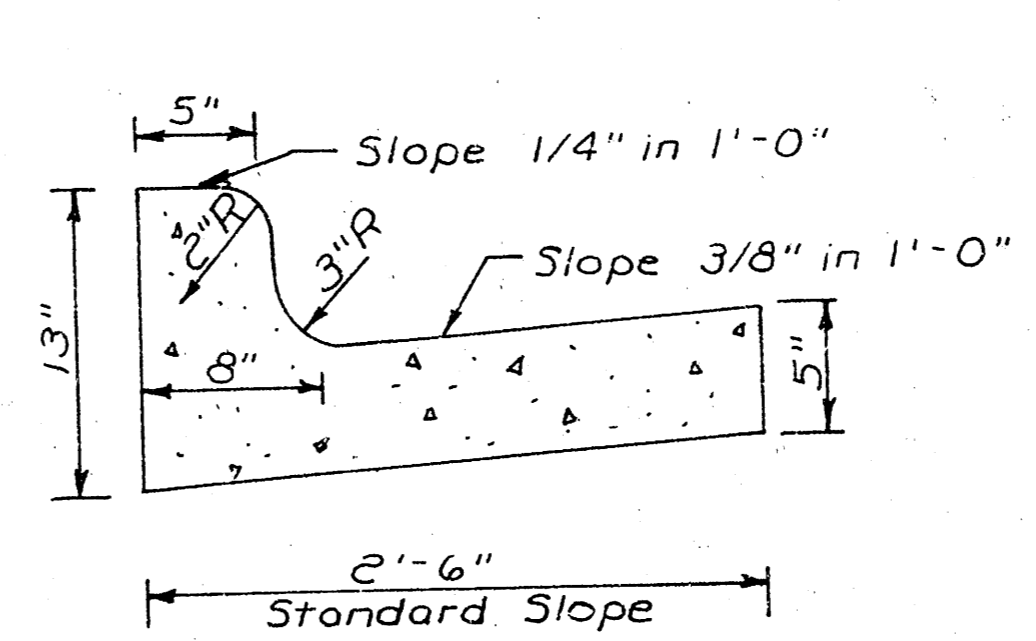
TYPICAL 25' B.B. SECTION
(32nd Street)



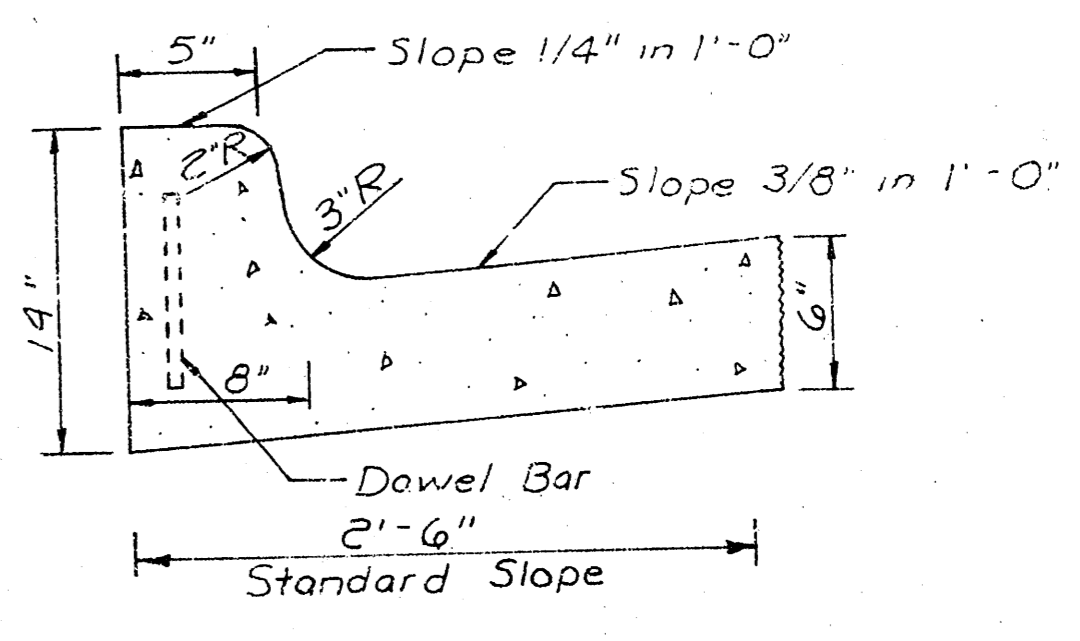
TYPICAL 37' B.B. SECTION
(Bramblewood)



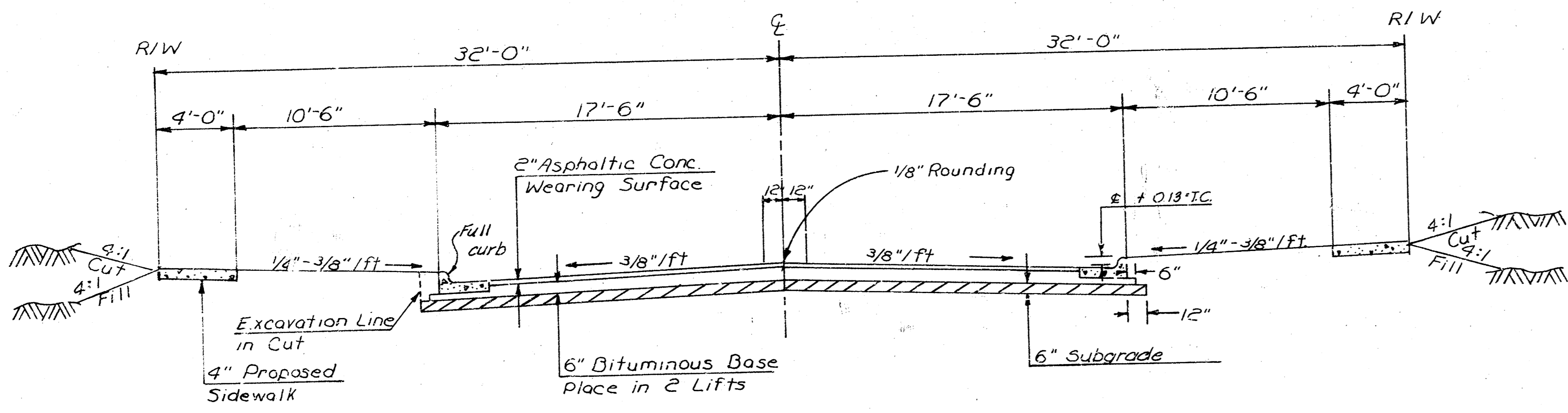
TYPICAL 29' B.B. w/ OFF-SET CROWN
(Winterberry Circle(s))



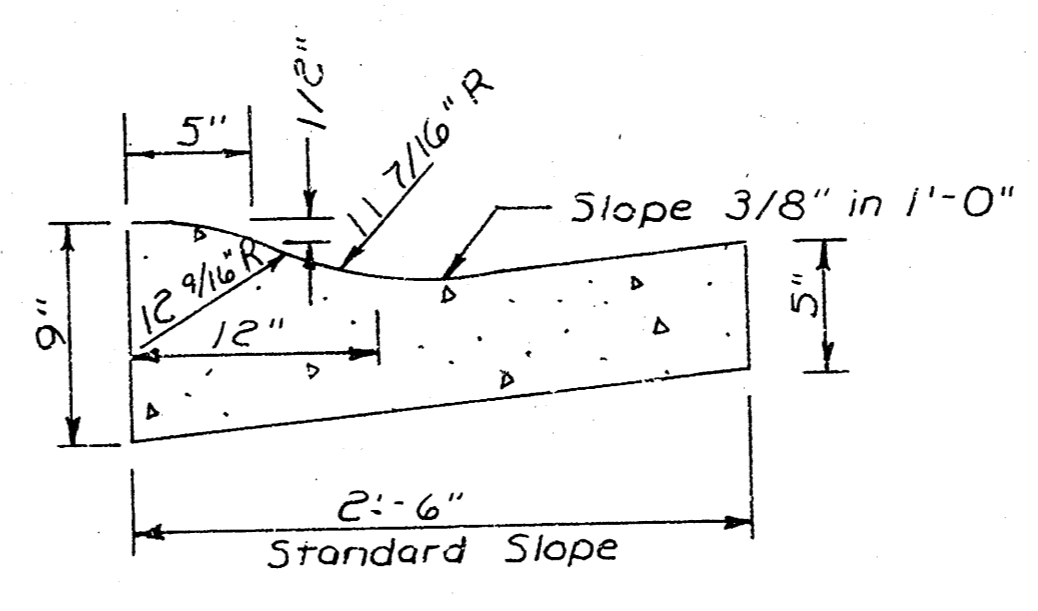
COMBINED CURB & GUTTER



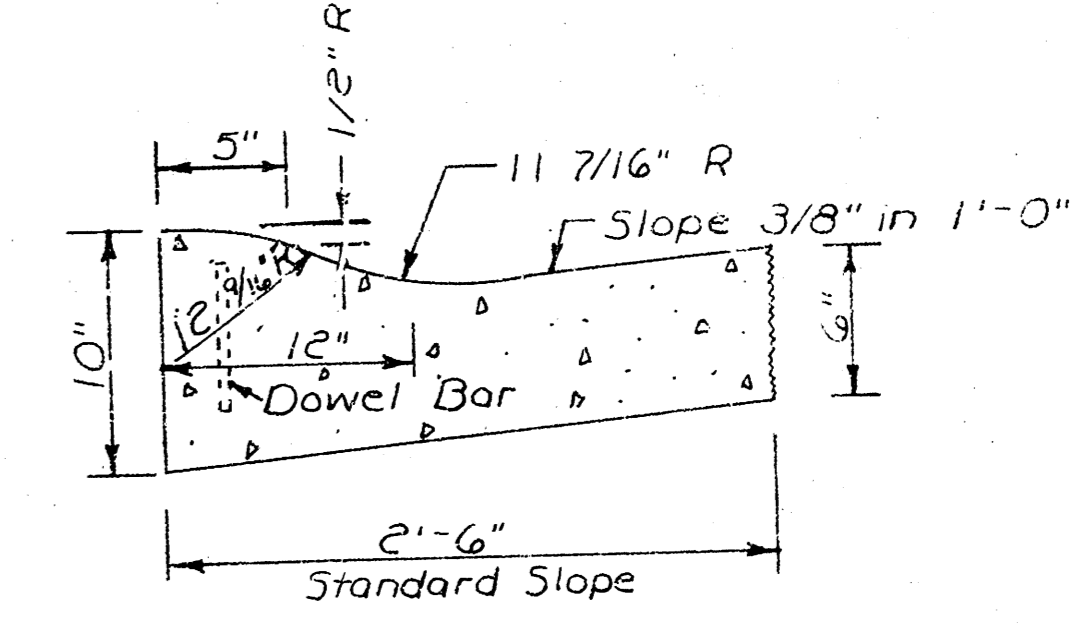
STANDARD INTEGRAL CURB



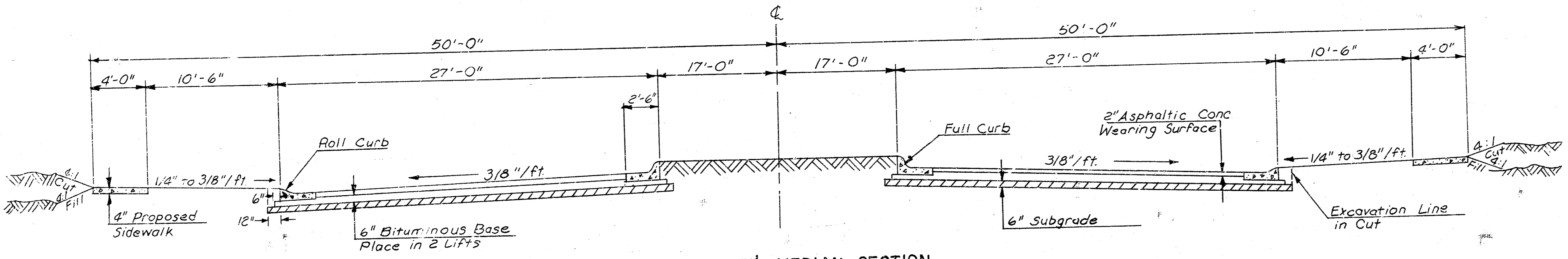
TYPICAL 35' B.B. SECTION
(Rushwood)



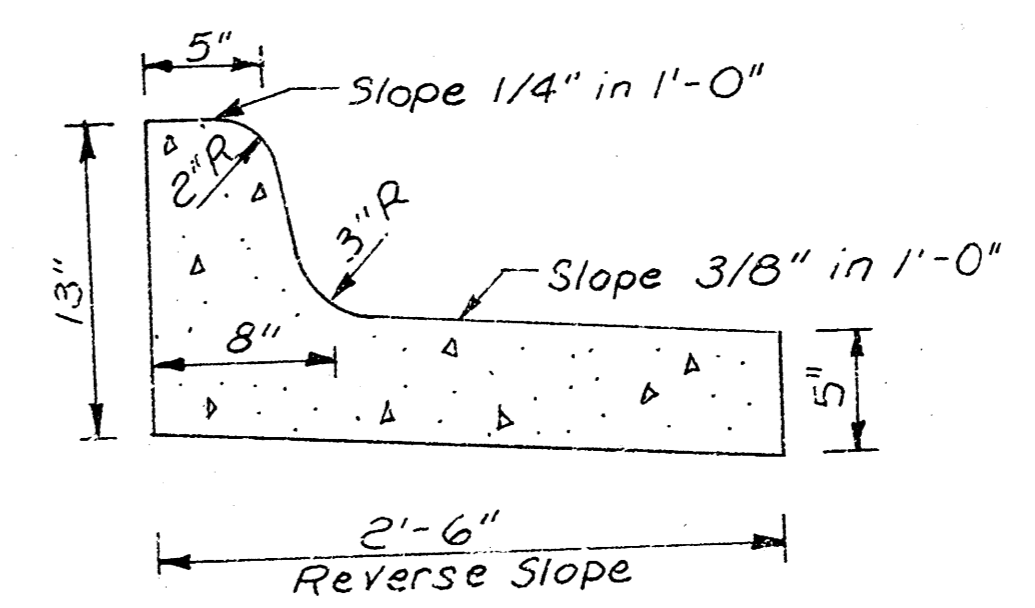
ROLL TYPE CURB & GUTTER



STANDARD INTEGRAL
ROLL TYPE CURB & GUTTER



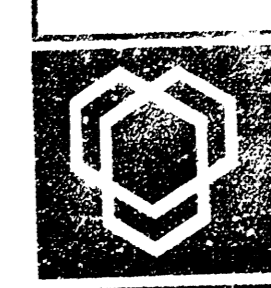
TYPICAL 71' MEDIAN SECTION
(Rushwood Court)



COMBINED CURB & GUTTER

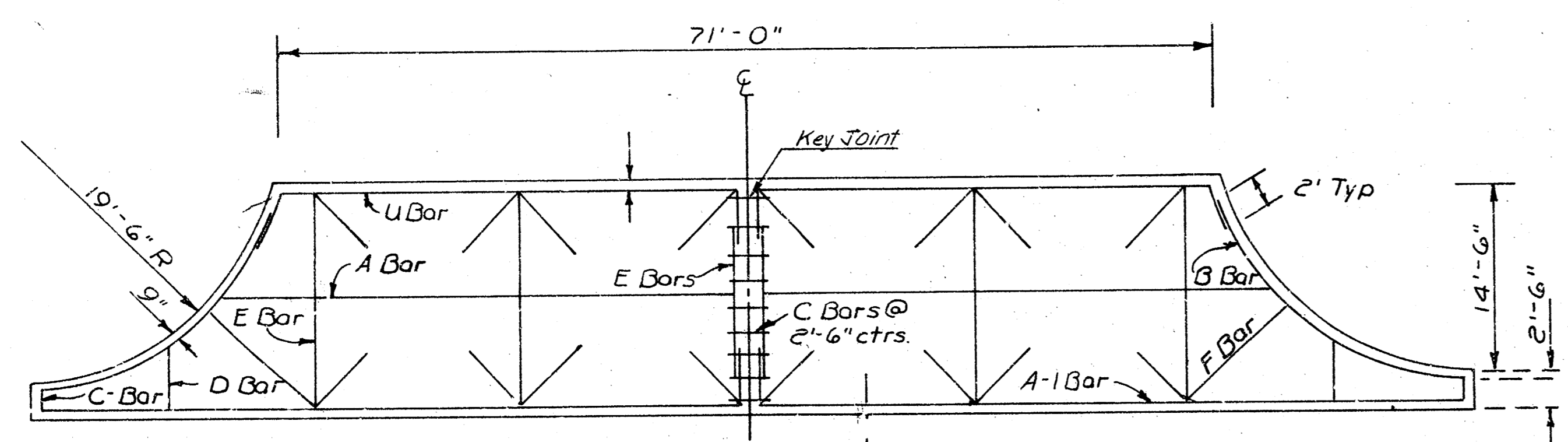
COTTONWOOD VILLAGE 3RD ADD.
472-76-245-80818-000-000-001

TYPICAL SECTIONS & CURB DETAILS



Van Doren - Hazard - Stallings
Architects • Engineers • Planners
Topeka Wichita Minneapolis

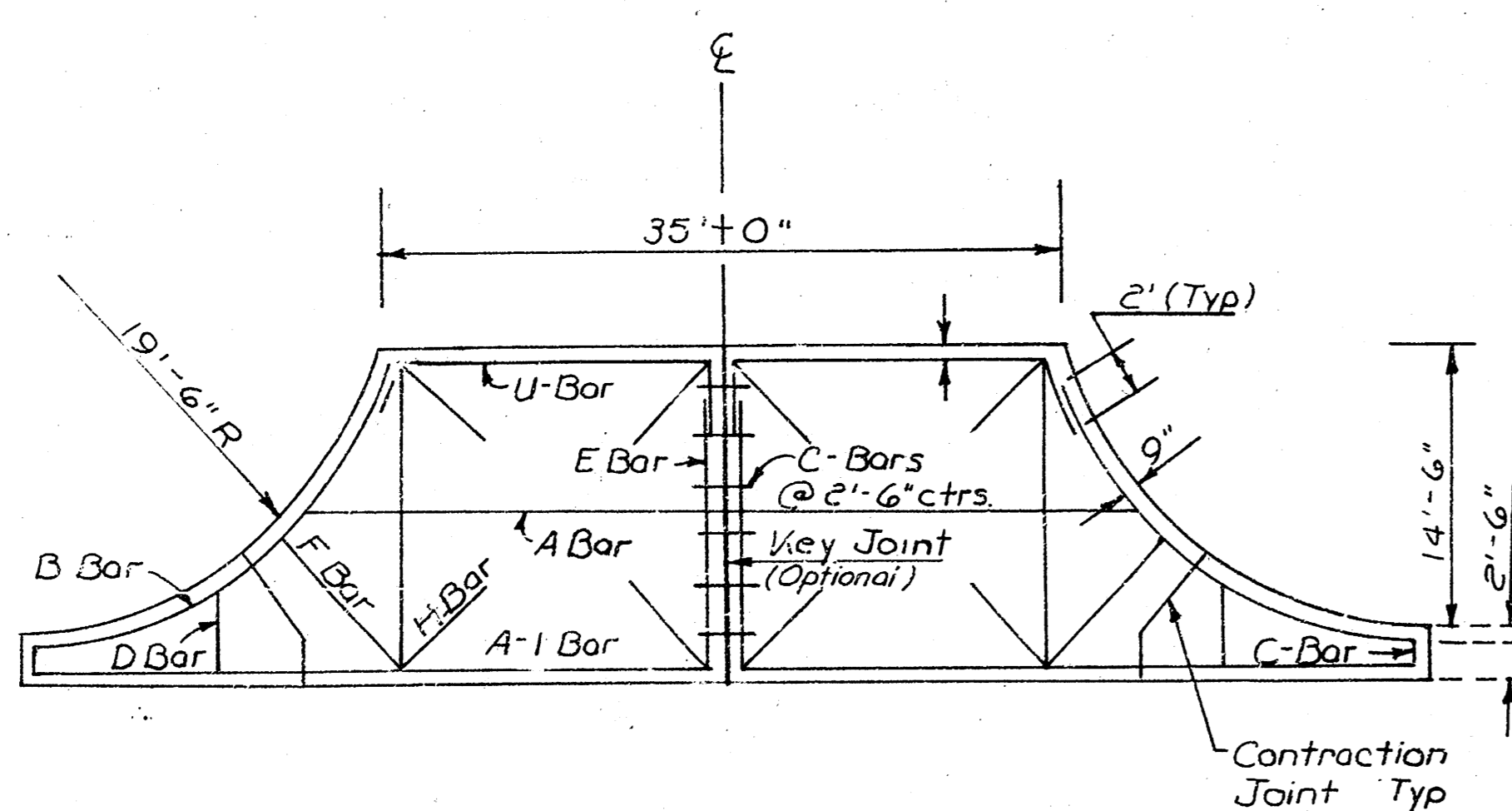
Sheet 2
of 7



TYPICAL REINFORCING FOR VALLEY GUTTER
(6" CONCRETE SLAB - 2" ASPHALTIC CONCRETE BASE)

GENERAL NOTES

1. A Tack Coat of Emulsified Asphalt (SS - 1H) shall be applied at an approximate rate 0.65 gallons per square yard between lifts of asphaltic materials when ordered by the Engineer. Tack Coat will not be paid for directly and shall be considered as subsidiary to price bid for Asphaltic Pavement.
2. Bituminous Base and Asphaltic Concrete Wearing Surface shall be placed with a laydown machine having automatic controls for crown and grade. Construction Joints in each lift shall be staggered a minimum distance of 1 foot with joints in preceding lifts and such that a joint will be constructed on the pavement centerline in the top lift.
3. The A.C. Pavement between combined curb and gutter shall be paid as square yards 8" A.C. Pavement (0" Bituminous Base). The Bituminous Base under the combined curb and gutter shall be paid as square yards 3" Bituminous Base.
4. Sidewalks indicated on the typical section are for location on that section. SIDEWALKS SHALL NOT BE CONSTRUCTED ON THIS PROJECT.
5. Transition Curb shall be paid as Roll-Type Combination Curb and Gutter. Sidewalk grades at right of ways are 0.5' above top of curb. No Driveways are to be constructed as a part of this contract without authorization from Construction Chief Engineer, Wichita, Kansas.
6. The type of subgrade treatment shall be determined by the Field Engineer. Subgrade treatment may consist of lime treatment, cement treatment, subgrade modification or any combination of these.



TYPICAL REINFORCING FOR VALLEY GUTTER
(6" CONCRETE SLAB - 2" ASPHALTIC CONCRETE BASE)

BILL OF MATERIAL						
MARK	SIZE	W=35'-0"		W=71'-0"		SHAPE
		NO.	LENGTH	NO.	LENGTH	
A	6	2	22'-6"	2	40'-0"	—
A-1	6	4	20'-0"	2	54'-0"	—
B	6	2	24'-0"	2	24'-0"	—
C	4	8	2'-0"	11	2'-0"	—
D	6	2	5'-0"	2	5'-0"	—
E	6	4	16'-0"	6	16'-6"	—
F	6	2	10'-0"	2	11'-0"	—
H	6	8	6'-0"	16	6'-0"	—
U	6	2	24'-0"	2	44'-0"	—
# 6 TOTAL			365'-0" Lin Ft.		551'-0" Lin Ft.	
# 4 TOTAL			16' Lin Ft.		22' Lin Ft.	

COTTONWOOD VILLAGE 3RD ADD.
472-76-245-80818-000-000-00!

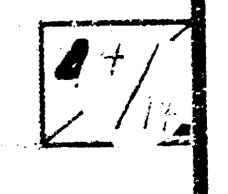
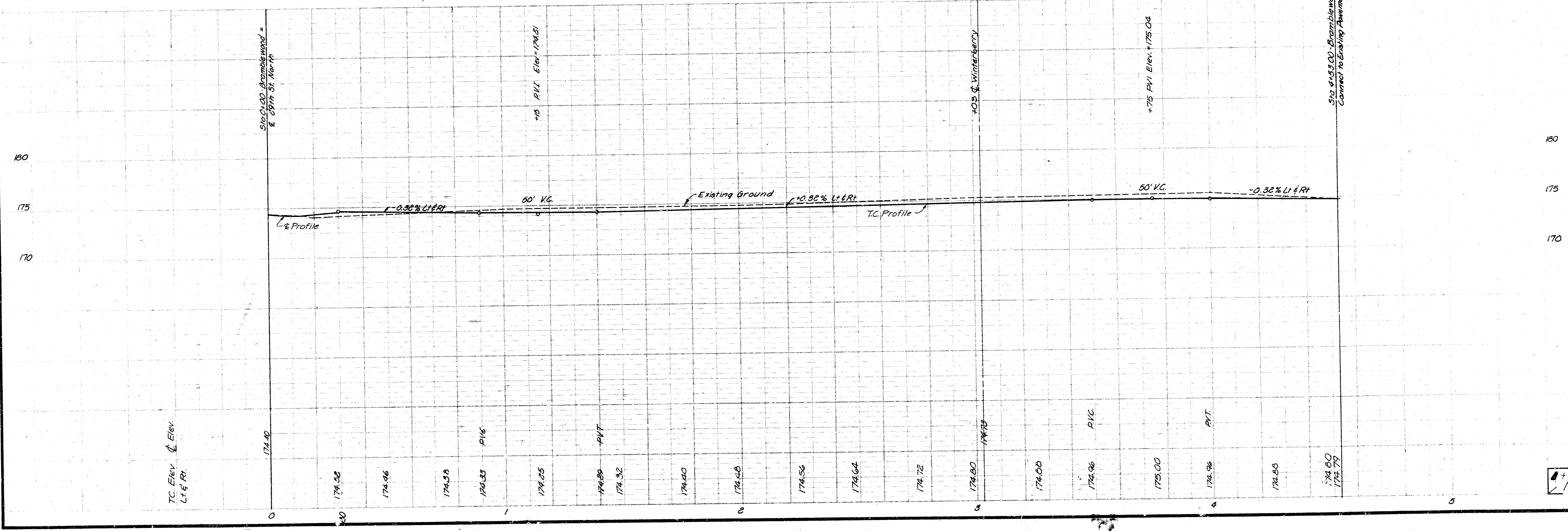
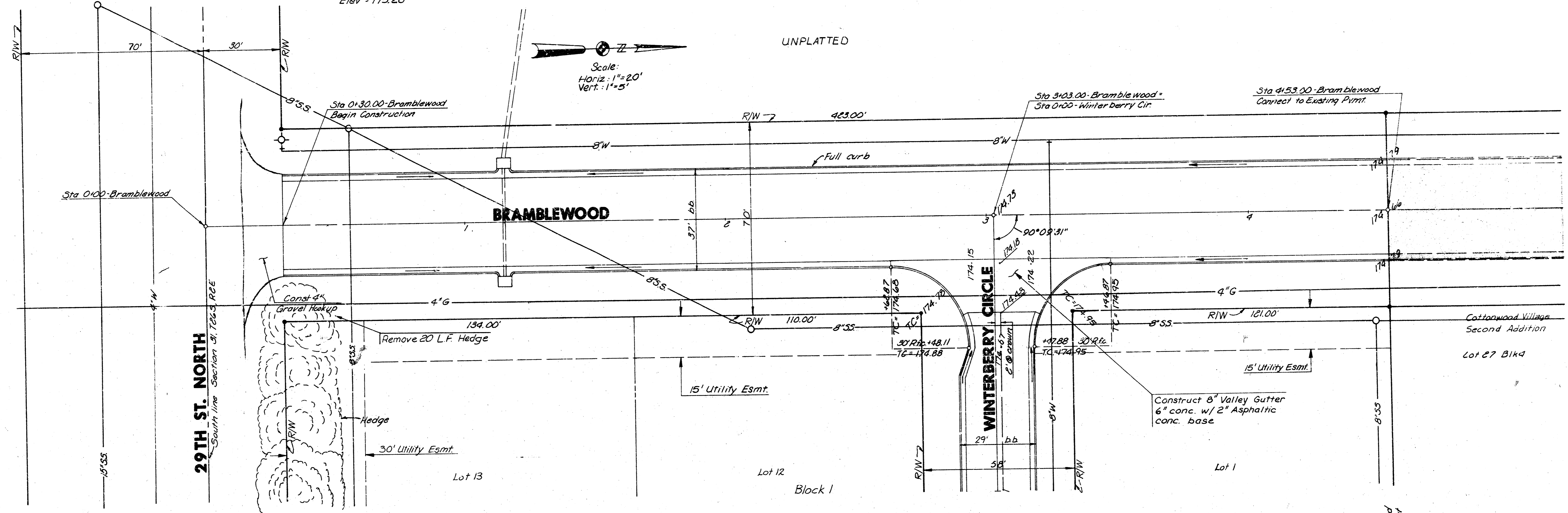
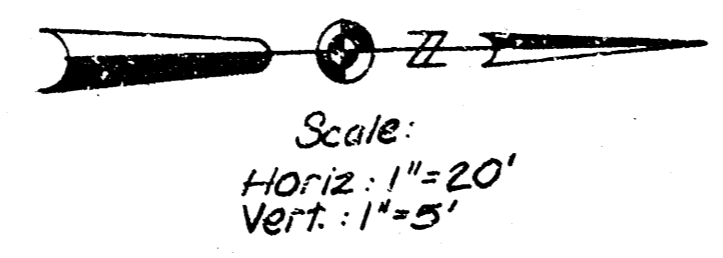
VALLEY GUTTER DETAILS

Van Doren - Hazard - Stallings
Architects • Engineers • Planners
Topeka Wichita Minneapolis

Sheet 3 of 1

COTTONWOOD VILLAGE 3RD ADD.
472-76-245-80818-000-000-001

BM 1 Chiseled "a" SW cor N Headwall 2nd culvert
E of Woodlawn on 29th Street North
Elev = 175.28

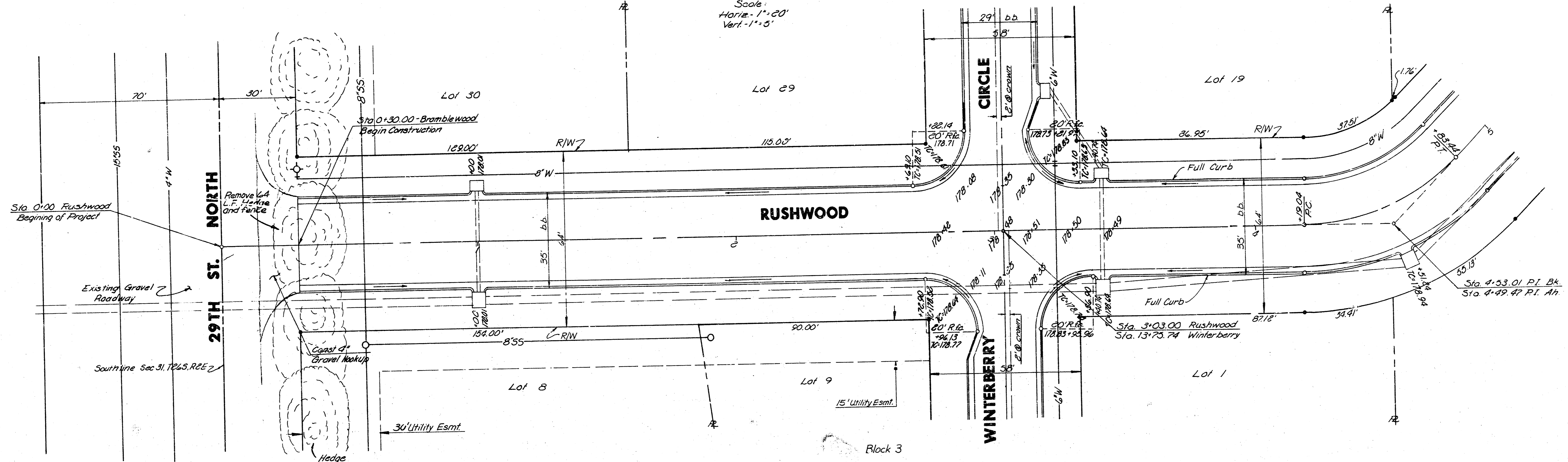


COTTONWOOD VILLAGE 3RD ADD.
472-76-245-80818-000-000-001

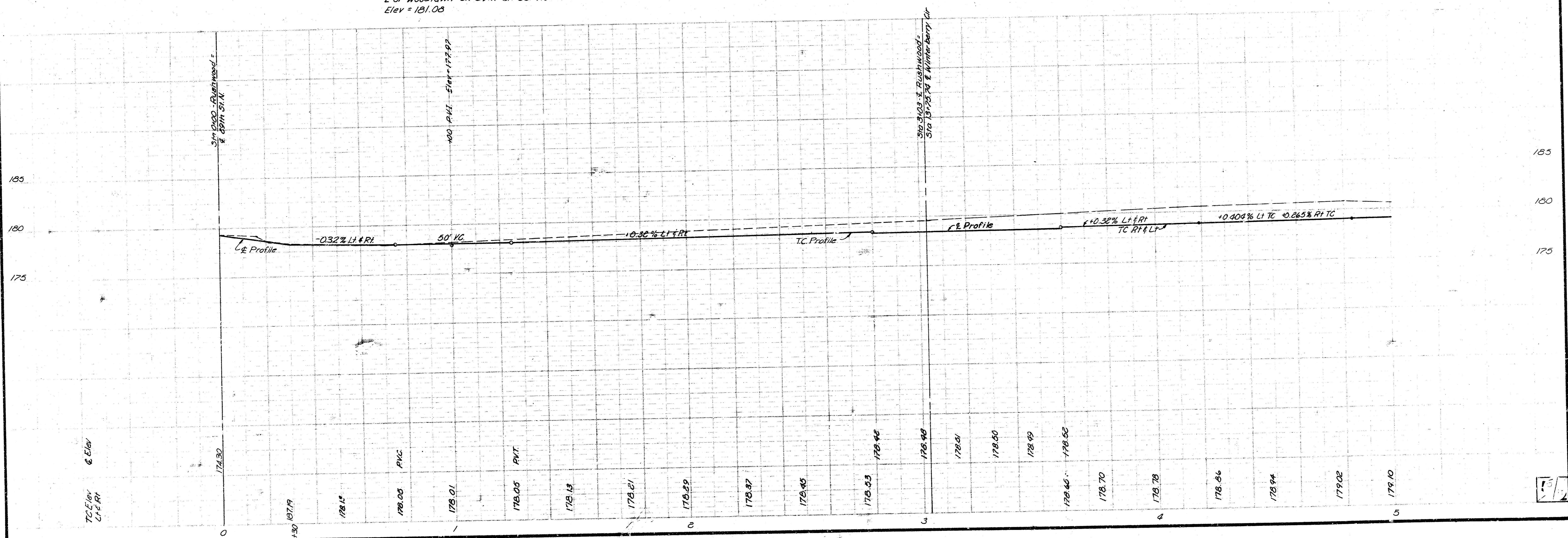
Block 2

Block 3

Scale:
Horiz. 1"=60'
Vert. 1"=5'

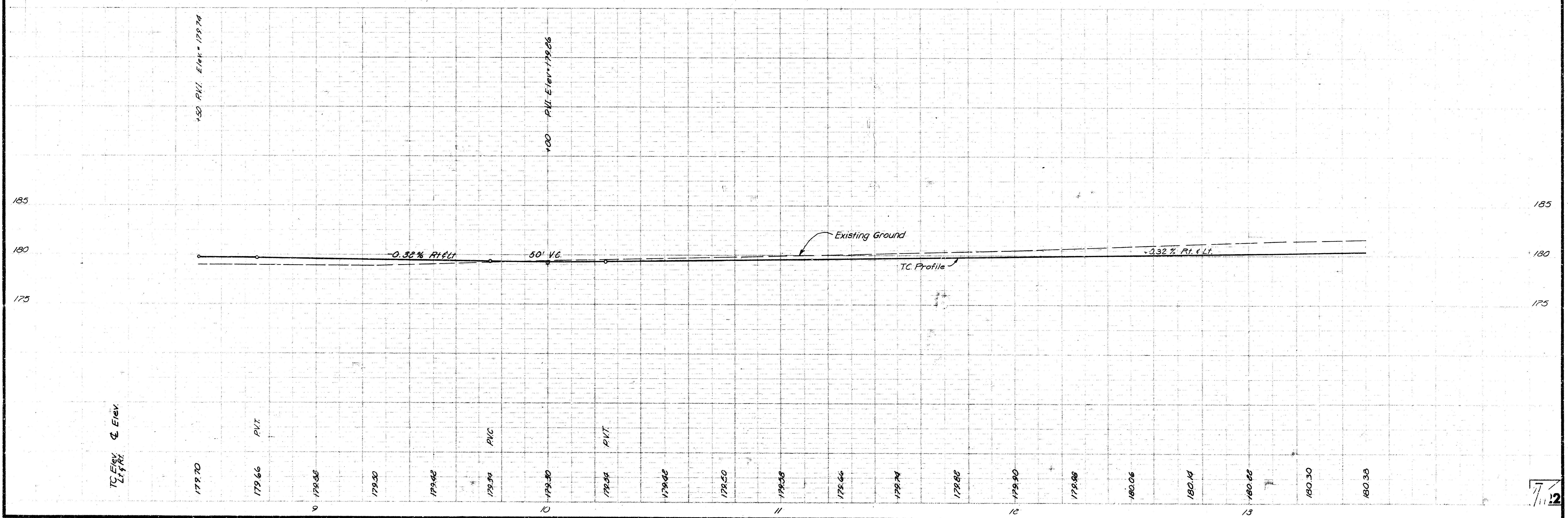
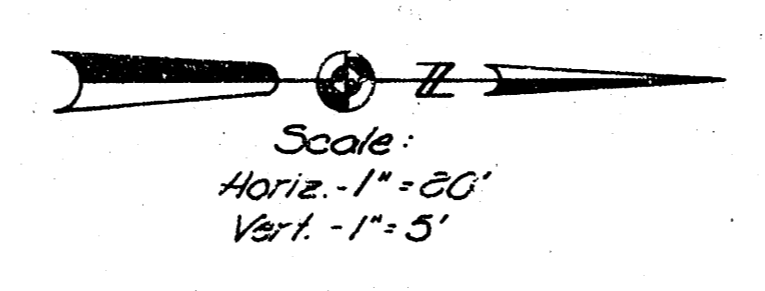
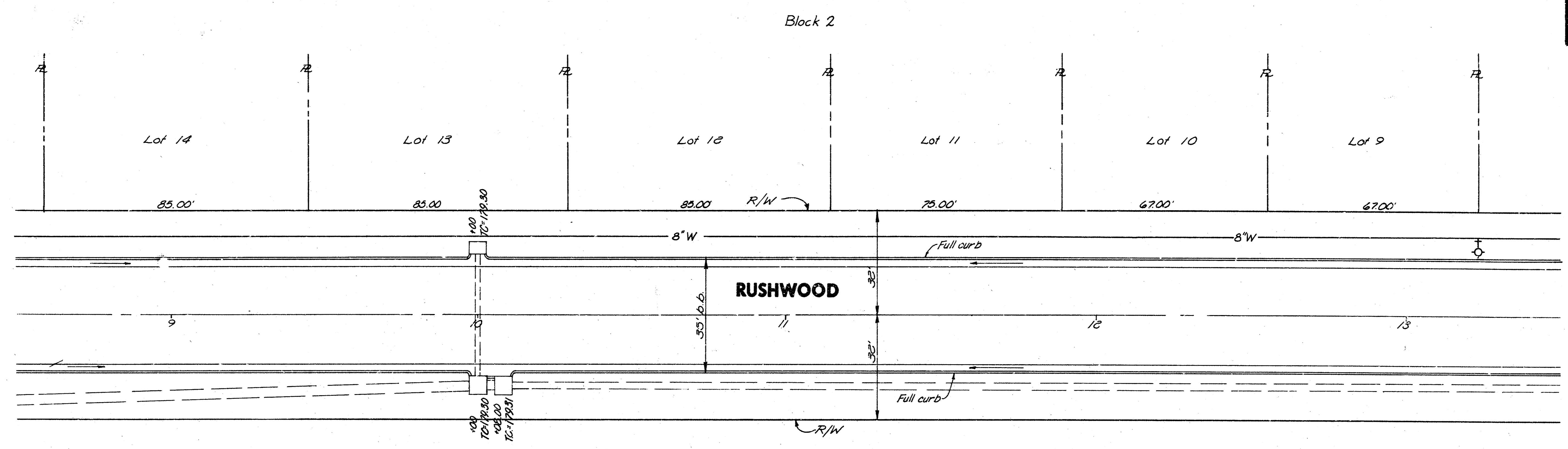


BM Chiseled "a" SW cor N Headwall 3rd culvert
E of Woodlawn on 29th Street North
Elev = 181.03

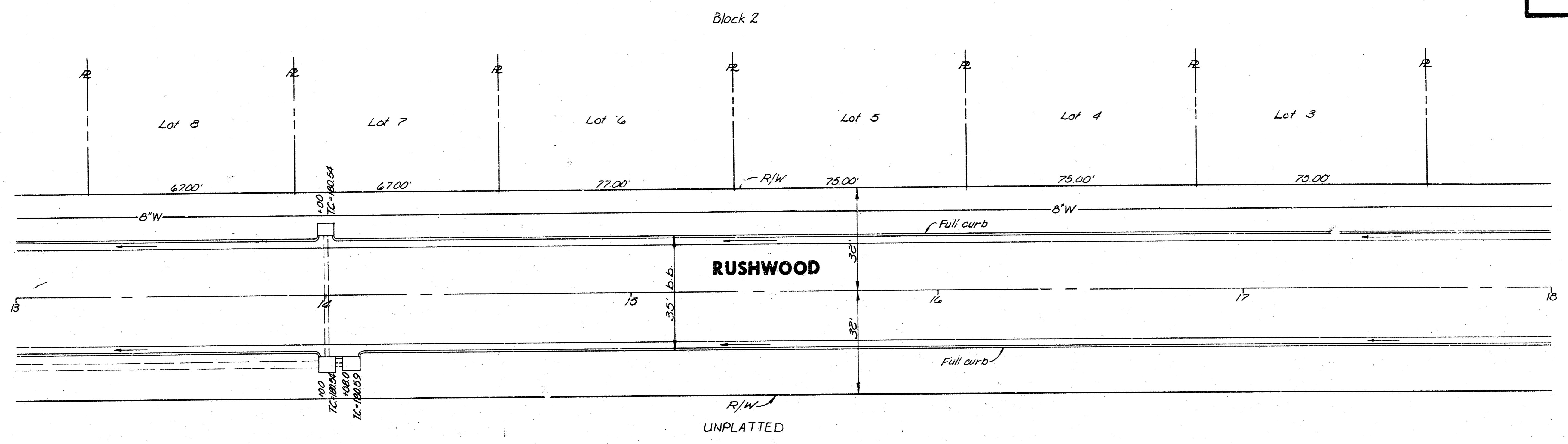


15

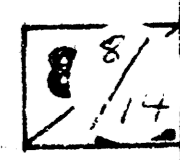
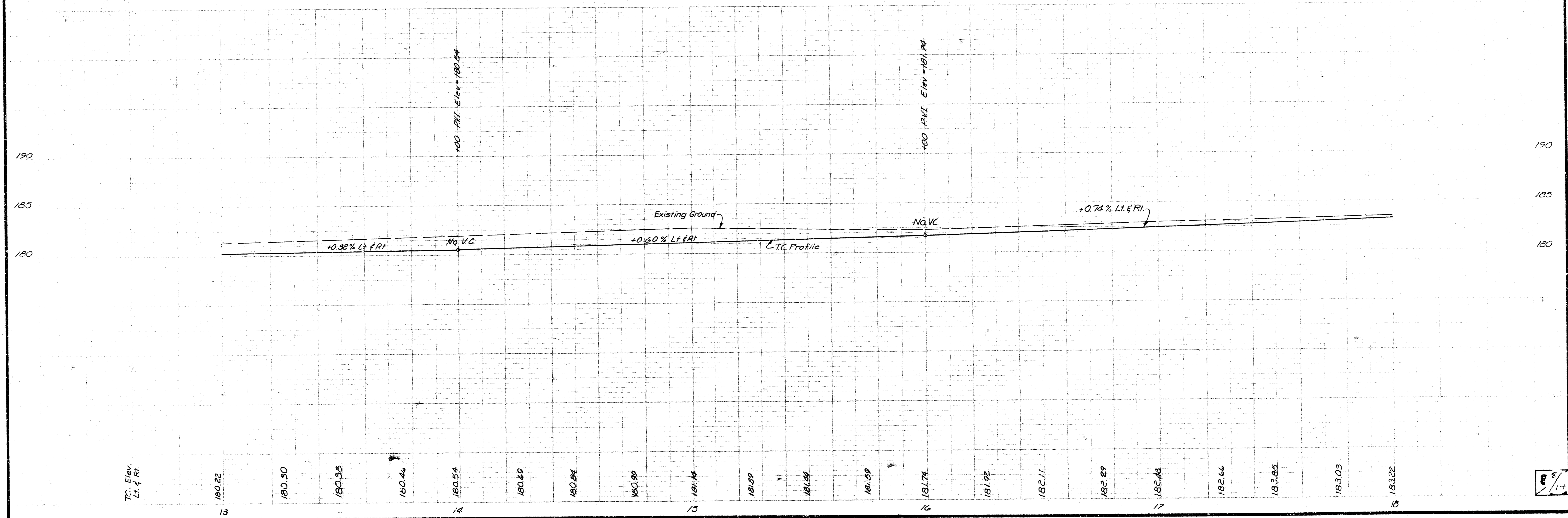
COTTONWOOD VILLAGE 3RD ADD.
472-76-245-80818-000-000-001



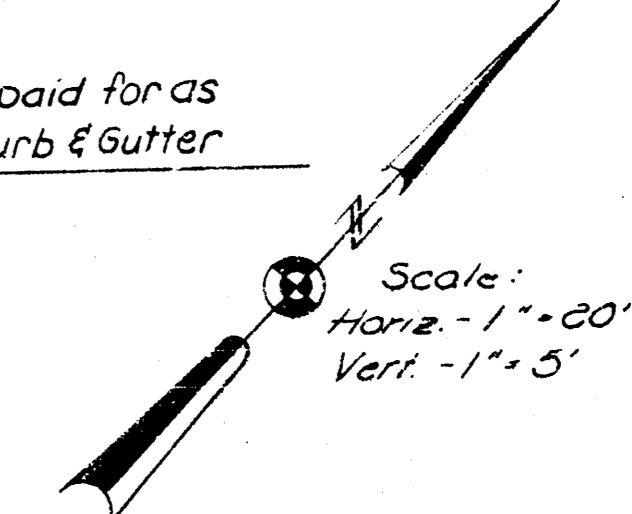
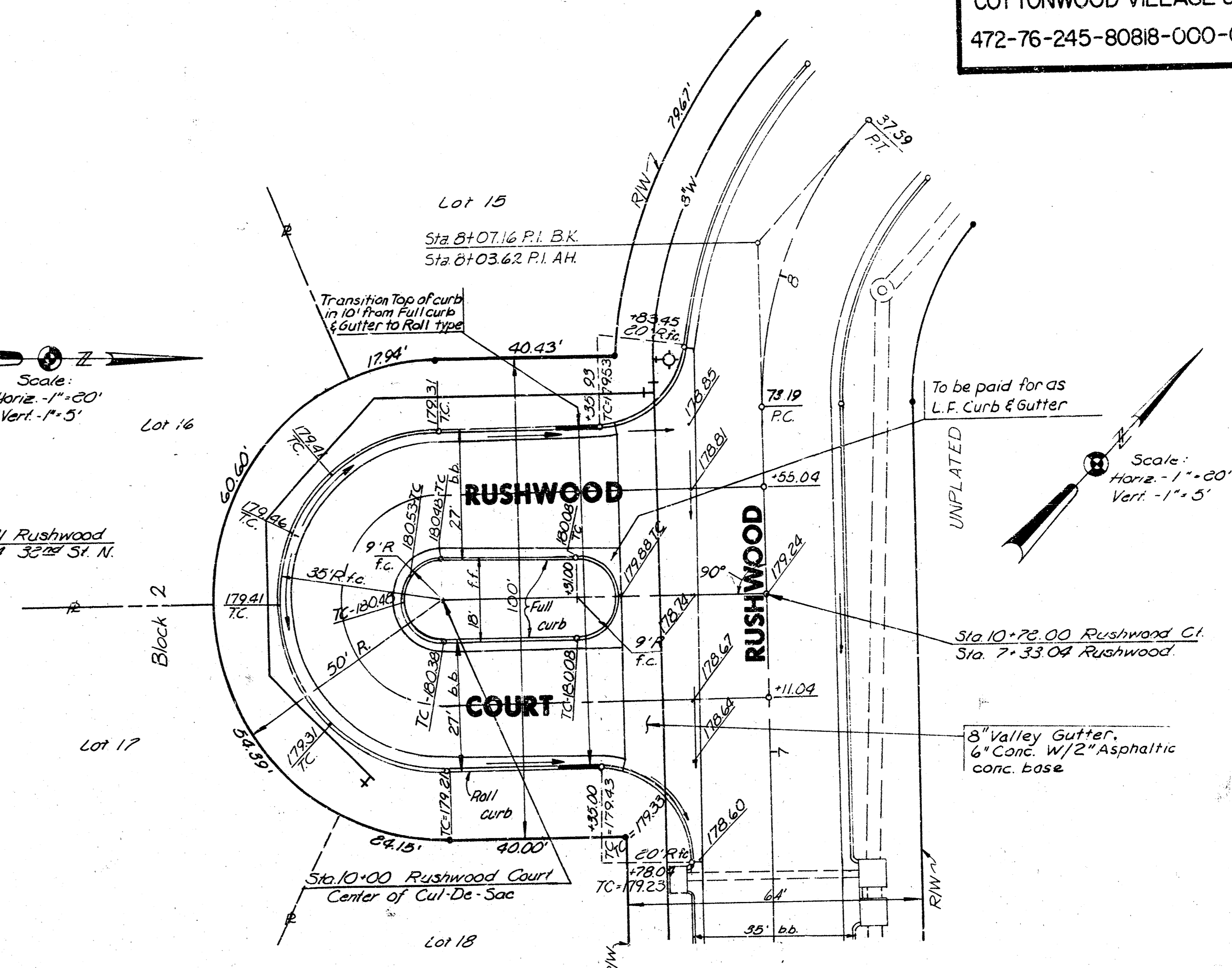
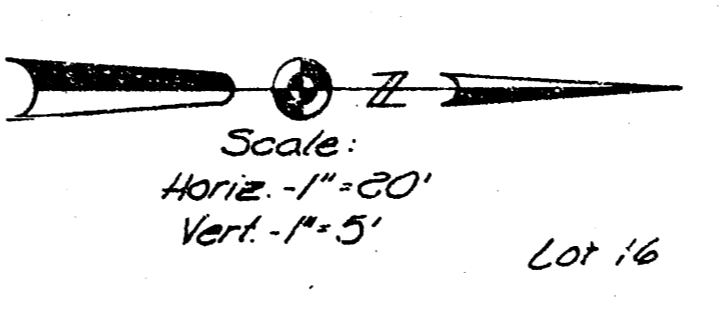
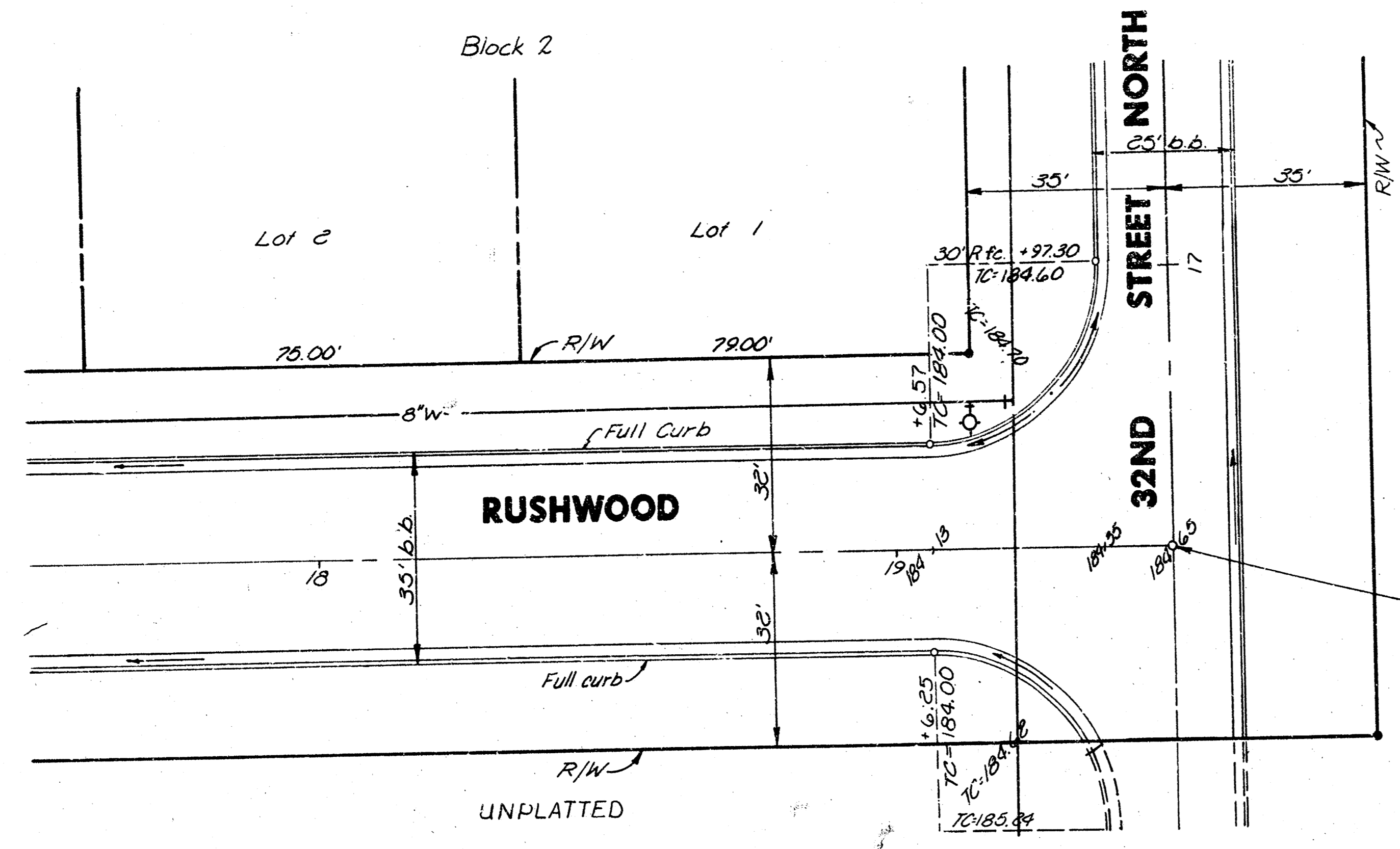
COTTONWOOD VILLAGE 3RD ADD.
472-76-245-80818-000-000-001



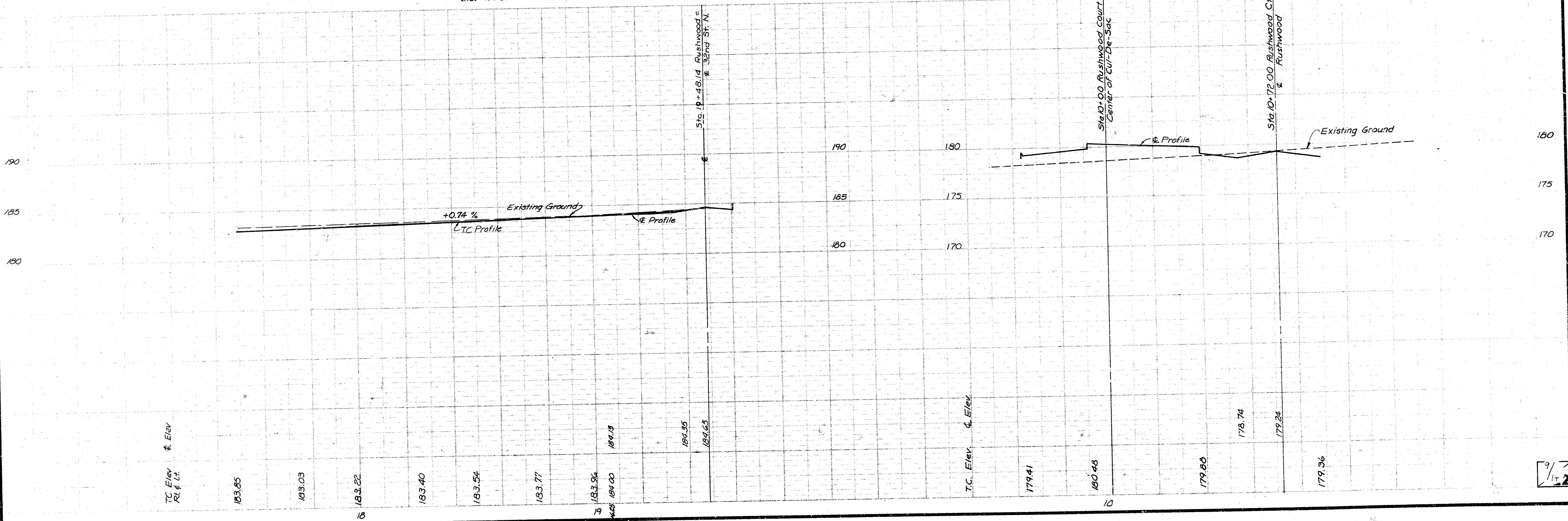
Scale
HORIZ. 1" = 20'
VERT. 1" = 5'



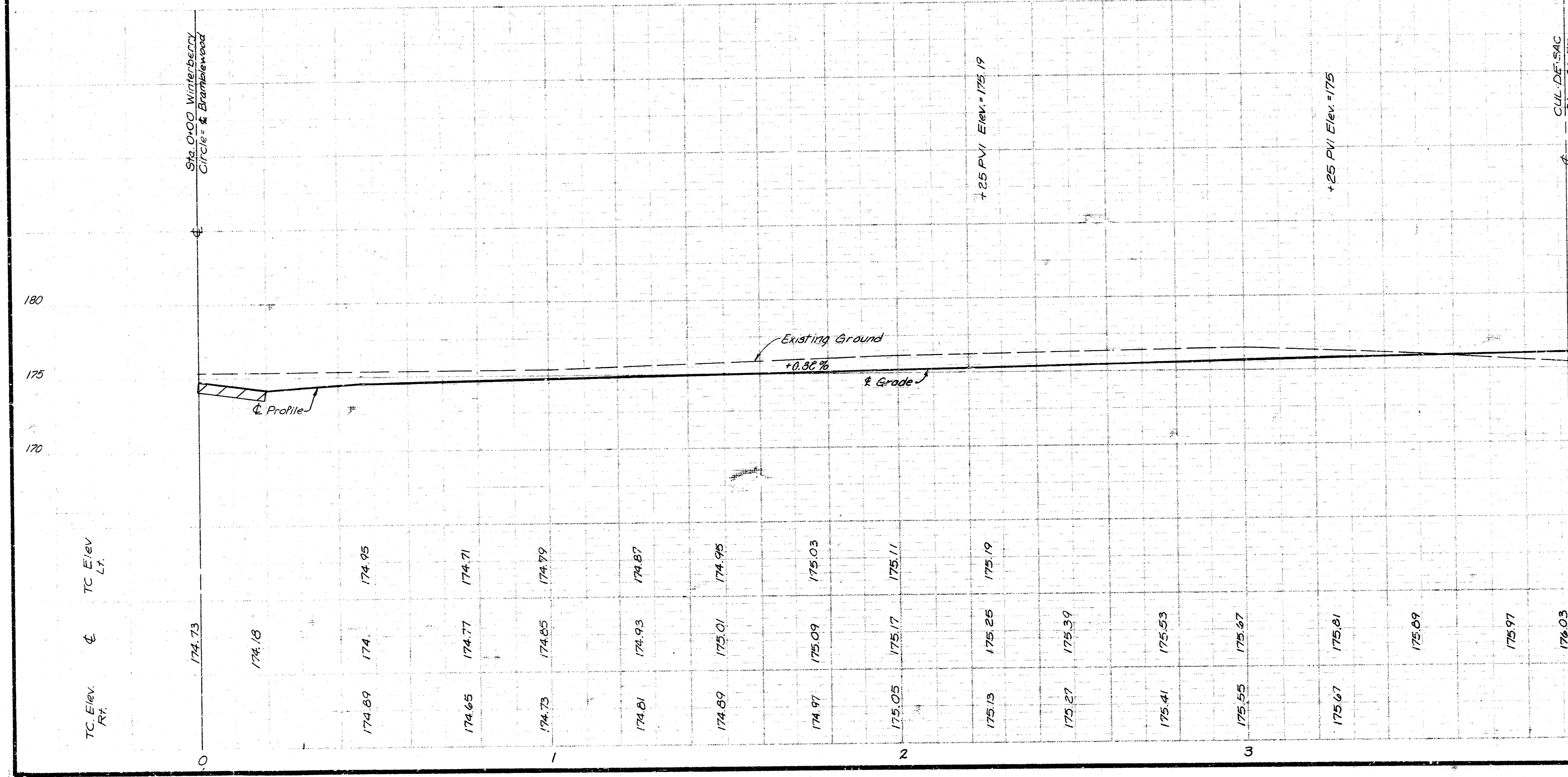
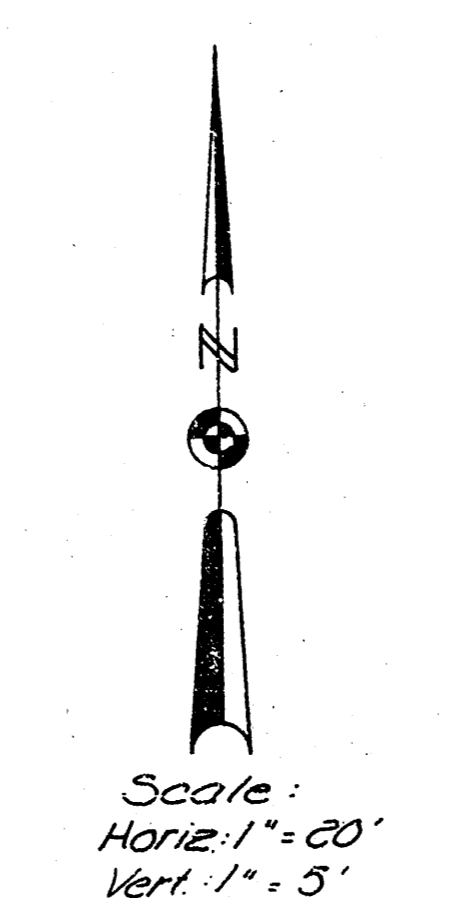
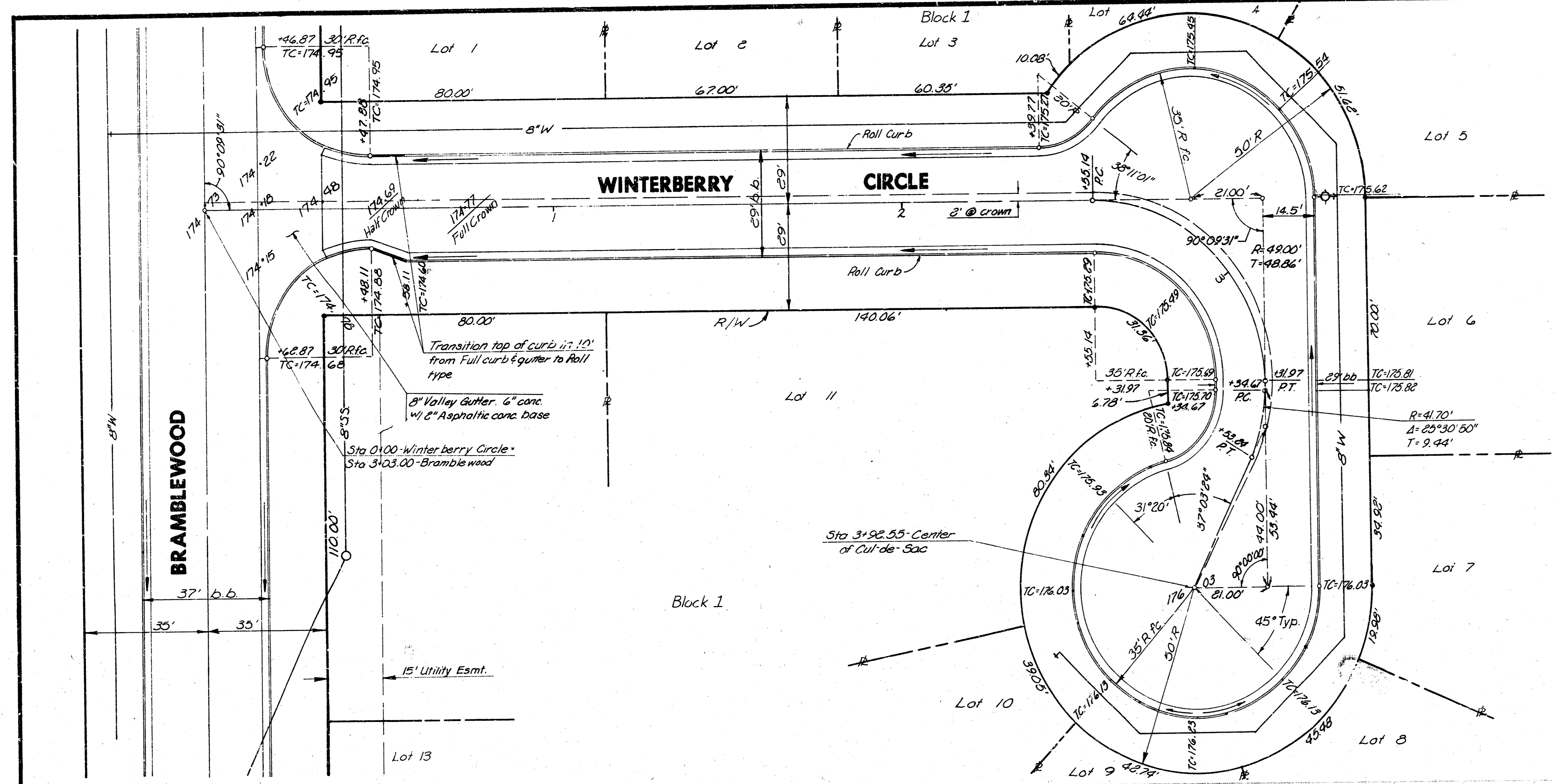
COTTONWOOD VILLAGE 3RD ADD.
472-76-245-80818-000-000-001



B.M. 3 - Spk. Sta. Efc. Epp.
Fourth op N. of 29th St
and 700' E. of E. RW, Rushwood
Elev. = 190.07

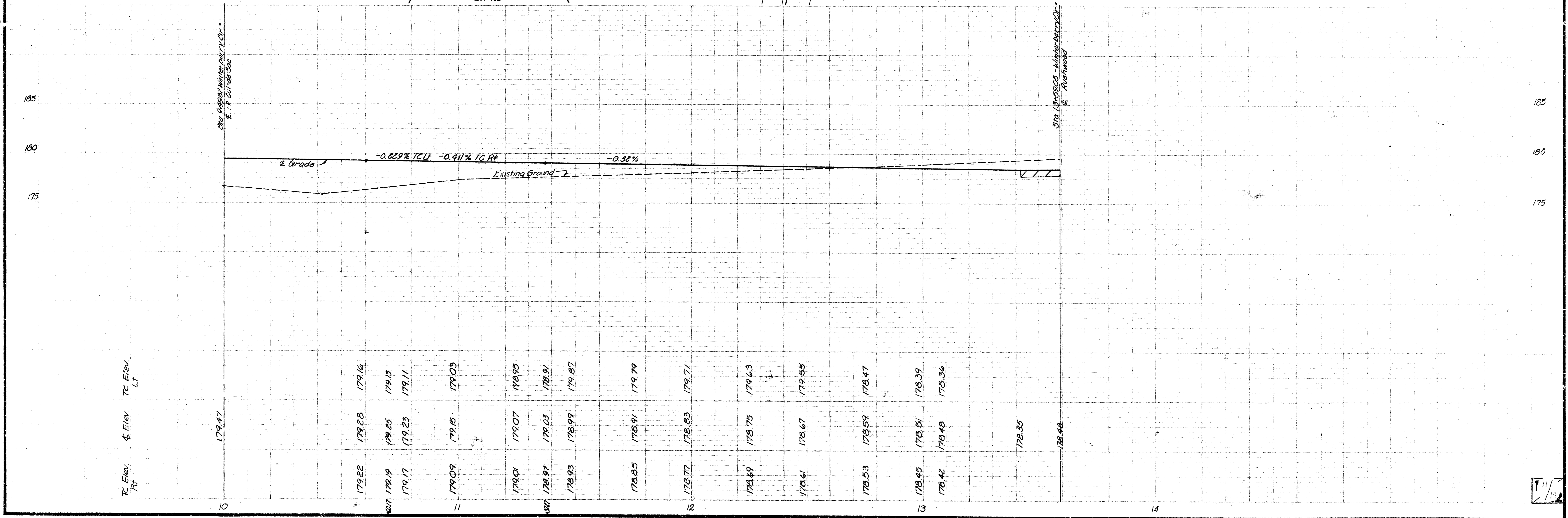
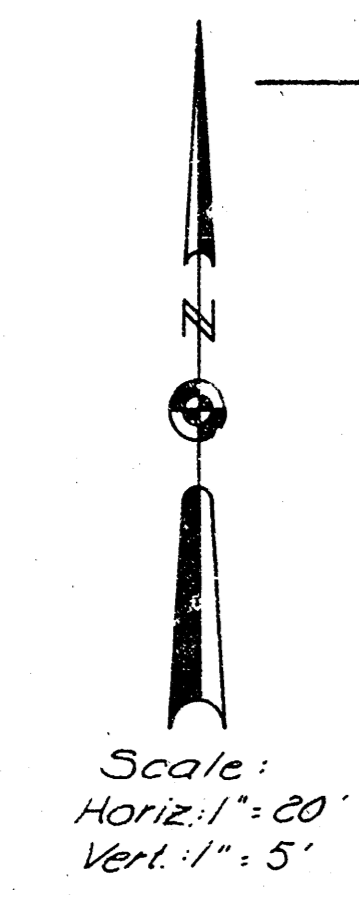
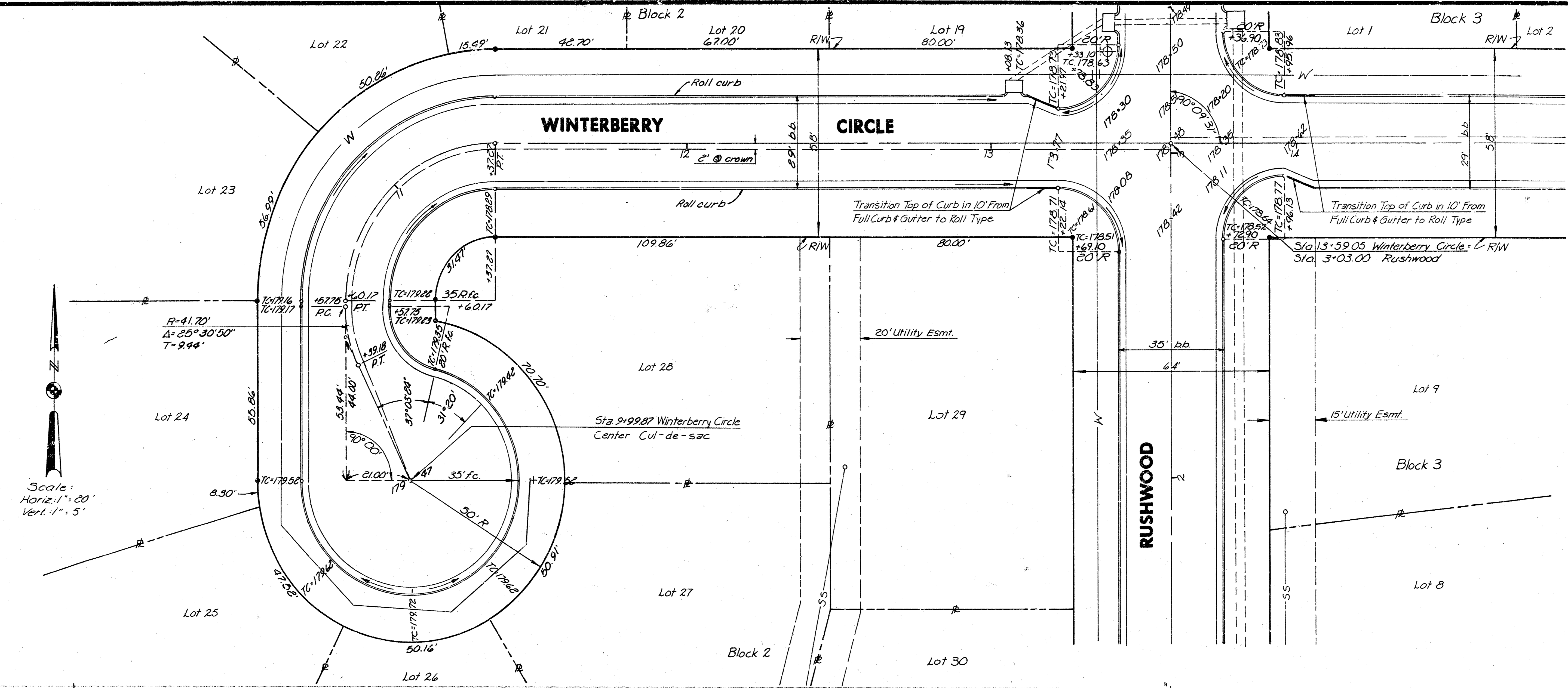


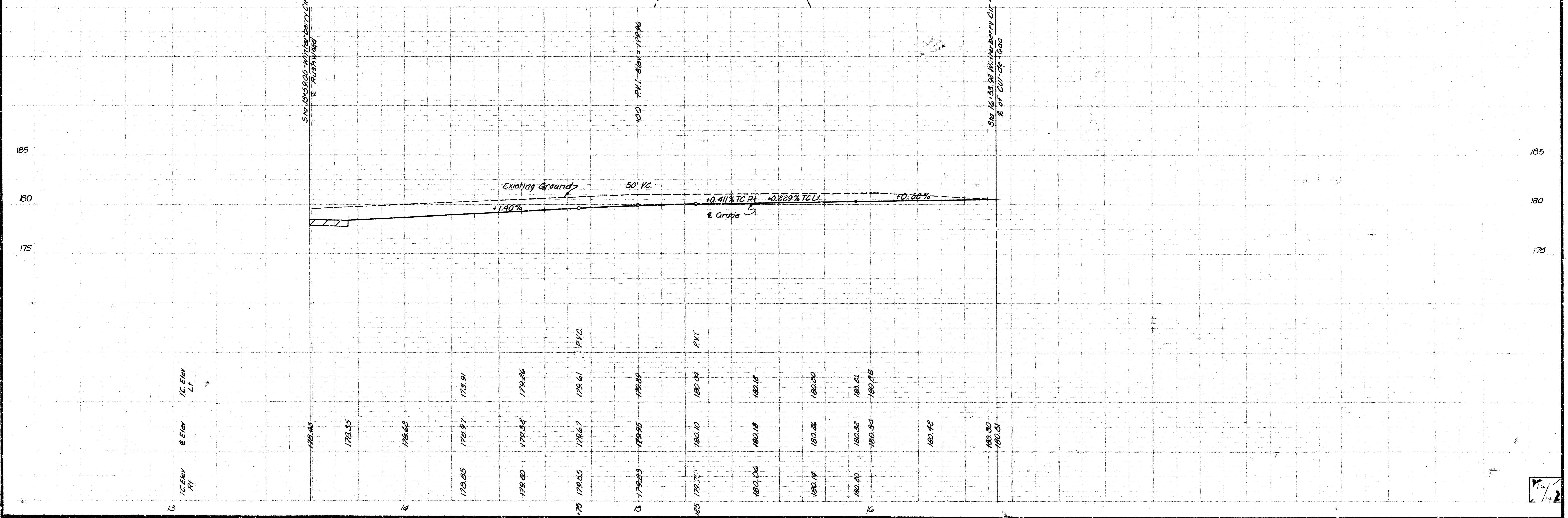
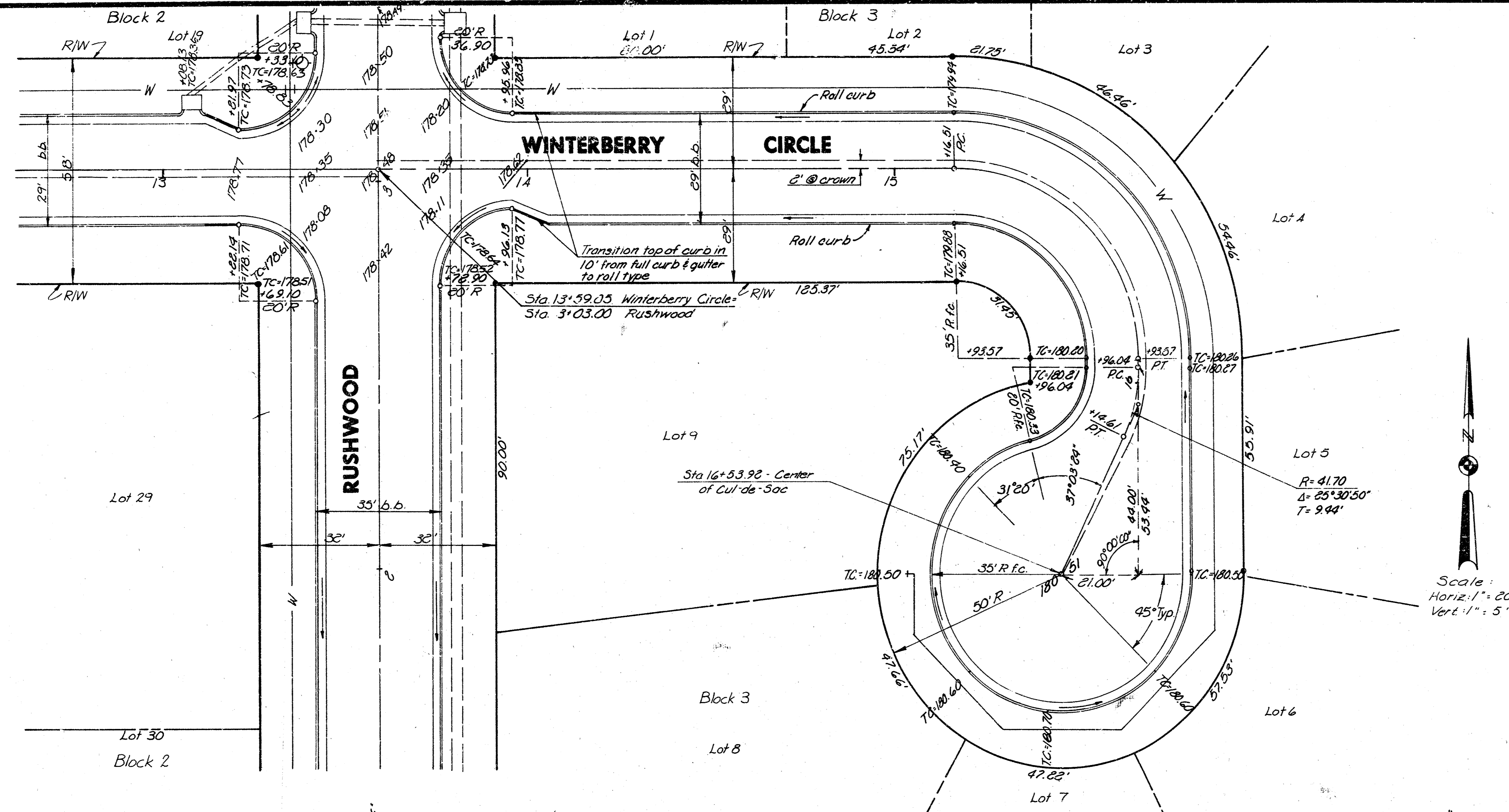
COTTONWOOD VILLAGE 3RD ADD.
472-76-245-80818-000-000-001

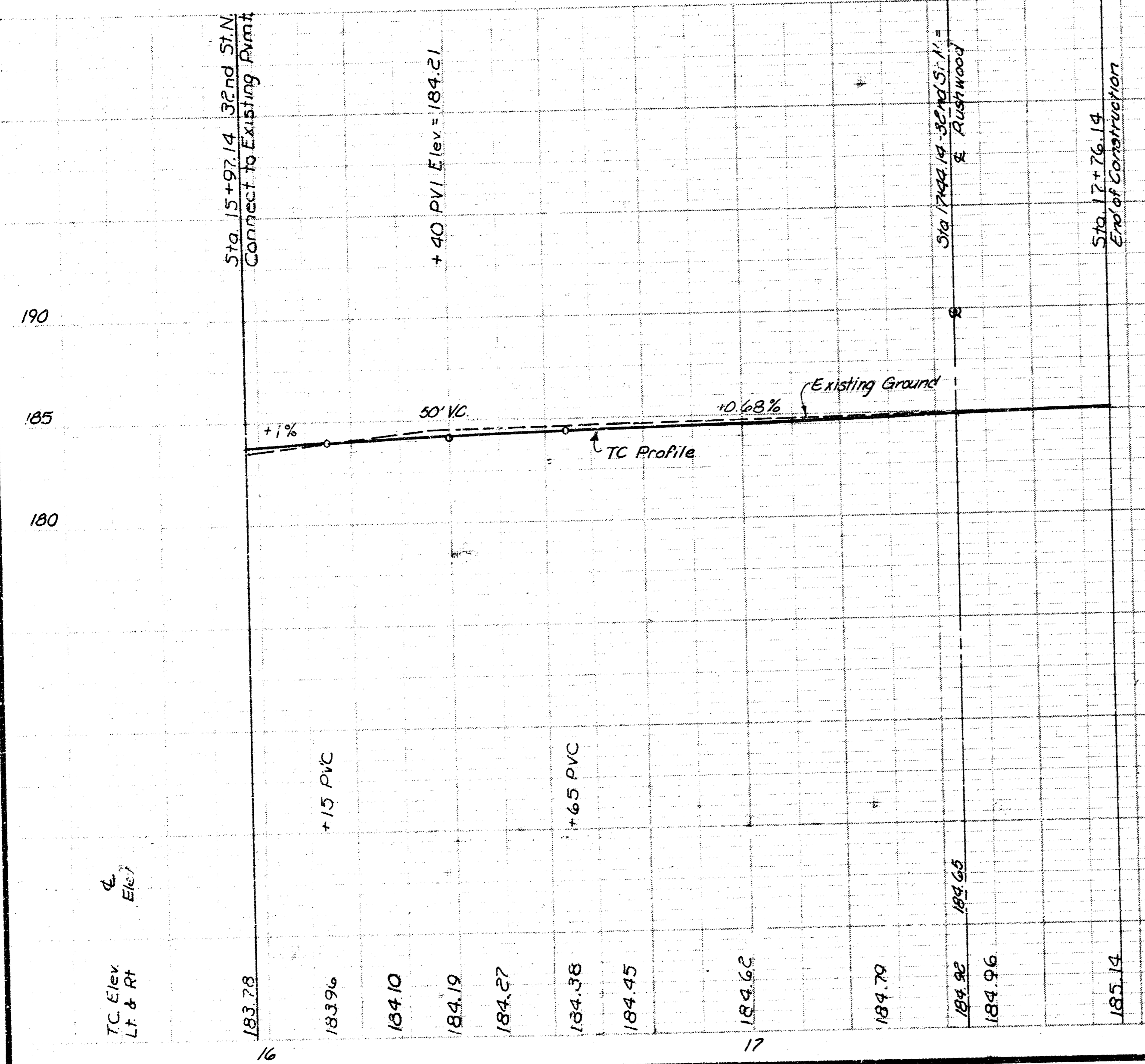
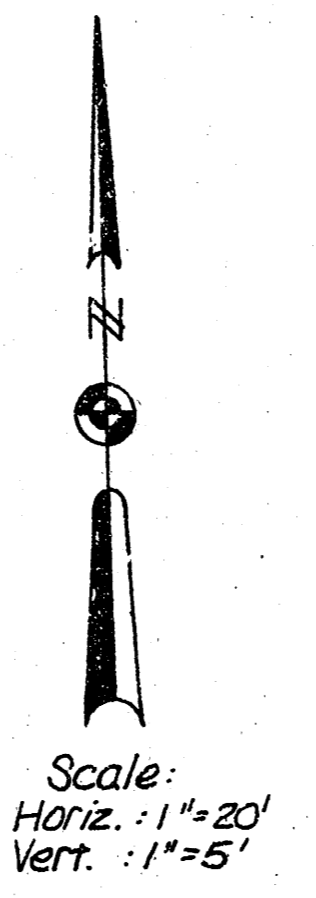
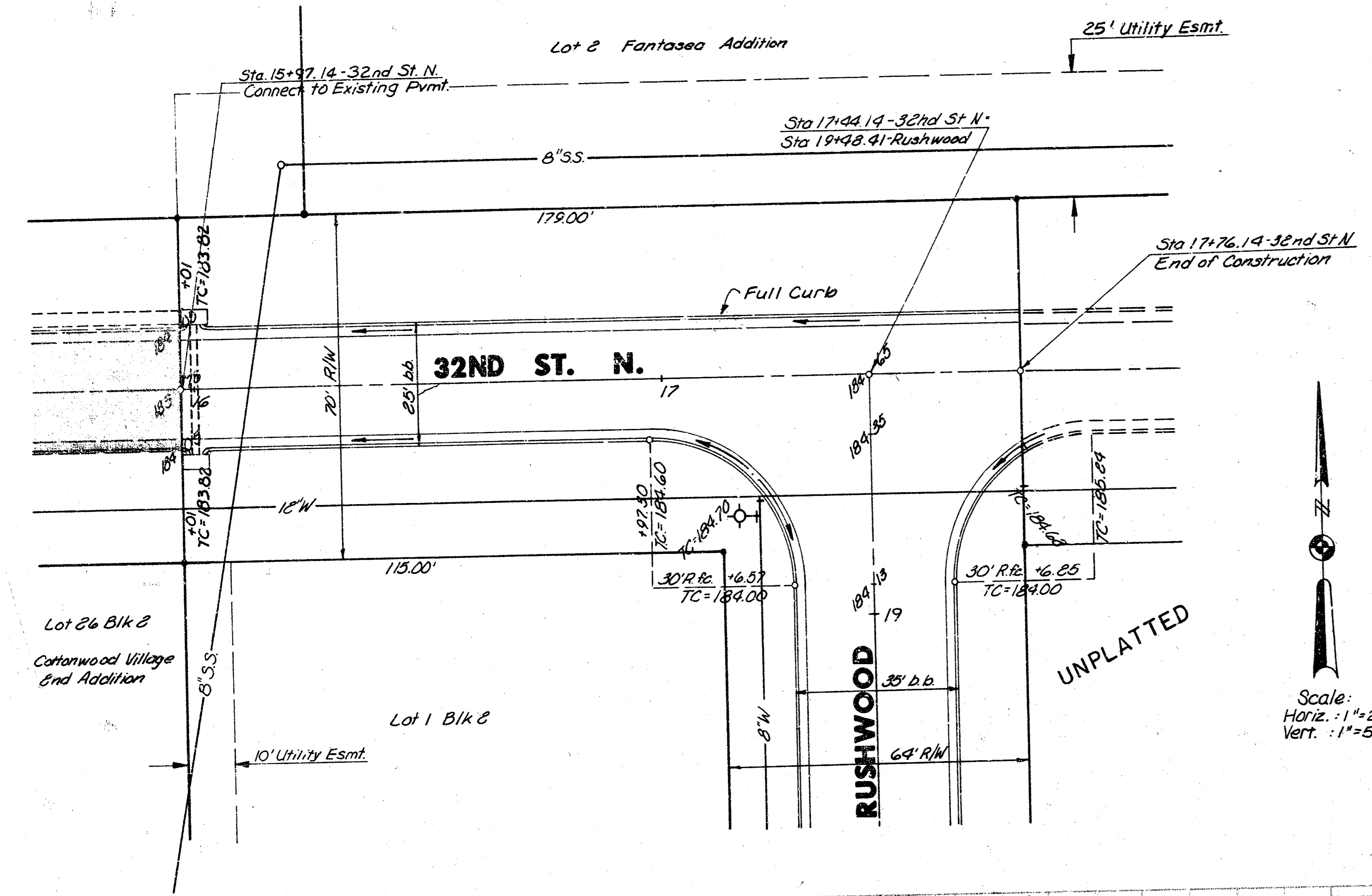


1/11/12

COTTONWOOD VILLAGE 3RD ADD.
472-76-245-80818-000-000-001







Location: RUSHWOOD
See Page 5

CURVE DATA BASED ON 82.00' R. (CL)
 $\Delta/2 = 22^\circ 30' 00''$
DEFLECTION IN MIN./FT. = 20.9628

CL Station	CL Arc	Chord Length		Deflection	Total Deflection
		8' Off-set Left F.C.	8' Off-set Right F.C.		
4 + 19.04					
4 + 25	5.96	4.14	7.78	2° 04' 56"	2° 04' 56"
4 + 50	25.00	17.31	32.50	8° 44' 04"	10° 49' 00"
4 + 75	25.00	17.31	32.50	8° 44' 04"	19° 33' 04"
4 + 83.44	8.44	5.86	11.01	2° 56' 56"	22° 30' 00"

Location: RUSHWOOD
See Page 6

CURVE DATA BASED ON 82.00' R. (CL)
 $\Delta/2 = 22^\circ 30' 00''$
DEFLECTION IN MIN./FT. = 20.96273

CL Station	CL Arc	Chord Length		Deflection	Total Deflection
		8' Off-set Left F.C.	8' Off-set Right F.C.		
7 + 73.19					
7 + 83.45	10.26	13.38	7.13	3° 35' 05"	3° 35' 05"
8 + 00	16.55	21.56	11.43	5° 46' 56"	9° 22' 01"
8 + 25	25.00	32.50	17.31	8° 44' 04"	18° 06' 05"
8 + 37.59	12.59	16.41	8.47	4° 23' 55"	22° 30' 00"

Location: WINTERBERRY CIRCLE
See Page 11

CURVE DATA BASED ON 49.0' R (CL)
 $\Delta/2 = 45^\circ 04' 46''$
DEFLECTION IN MIN./ FT. = 55.08117

CL Station	CL Arc	Chord Length		Deflection	Total Deflection
		8' Off-set Left F.C.	8' Off-set Right F.C.		
10 + 60.17					
10 + 75	14.83	21.61	8.14	8° 40' 15"	8° 40' 15"
11 + 00	25.00	35.84	13.63	14° 37' 02"	23° 17' 17"
11 + 25	25.00	35.84	13.63	14° 37' 02"	37° 54' 19"
11 + 37.27	12.27	17.73	6.74	7° 10' 27"	45° 04' 46"

Location: WINTERBERRY CIRCLE
See Page 12

CURVE DATA BASED ON 49.0' R. (CL)
 $\Delta/2 = 45^\circ 03' 10''$
DEFLECTION IN MIN./FT. = 35.07873

CL Station	CL Arc	Chord Length		Deflection	Total Deflection
		8' Off-set Left F.C.	8' Off-set Right F.C.		
15 + 16.51					
15 + 25	8.49	12.29	4.67	4° 57' 49"	4° 57' 49"
15 + 50	25.00	35.83	13.63	14° 36' 58"	19° 34' 47"
15 + 75	25.00	35.83	13.63	14° 36' 58"	34° 11' 45"
15 + 95.57	18.57	26.75	10.17	10° 51' 25"	45° 03' 10"

COTTONWOOD VILLAGE 3RD ADD.
472-76-245-80818-000-000-001

CURVE LAYOUT &
STAKING INFORMATION



Van Doren - Hazard - Stallings

Architects • Engineers • Planners
Topeka Wichita Minneapolis

Sheet 14

of 17