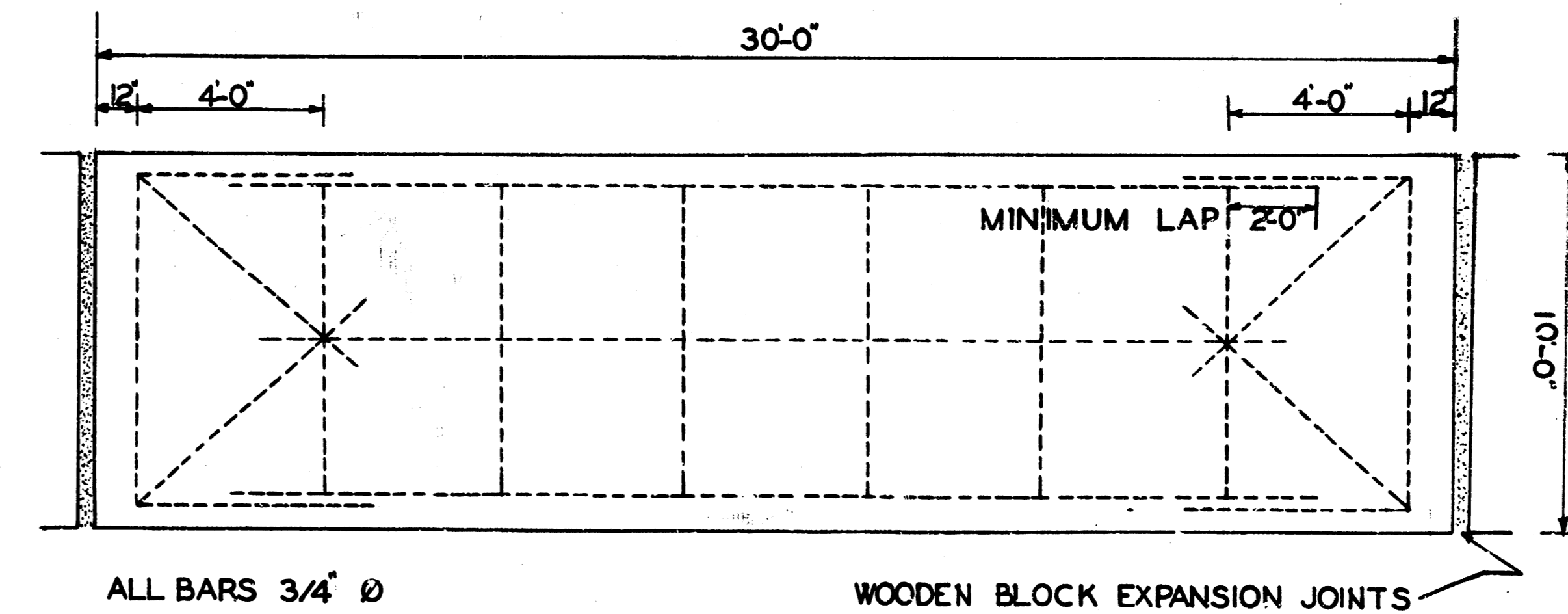
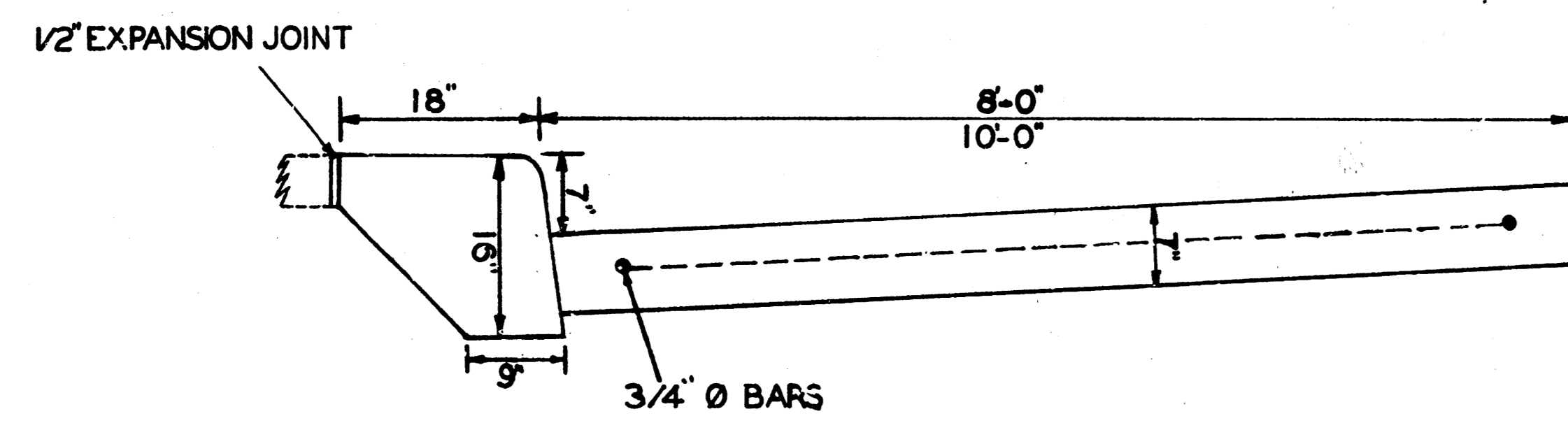
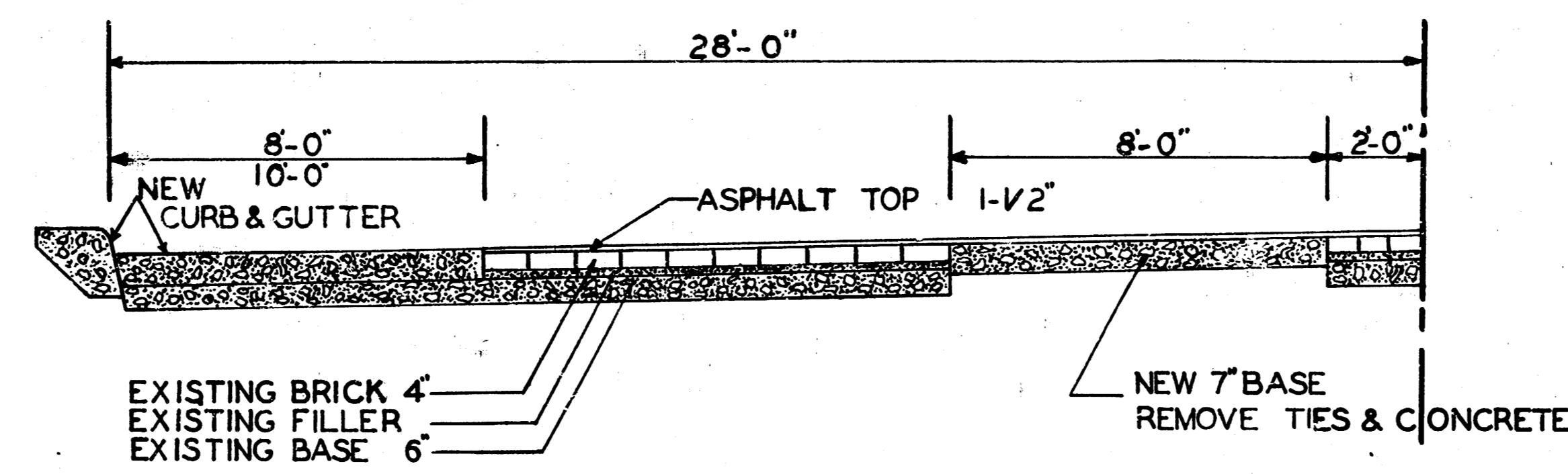
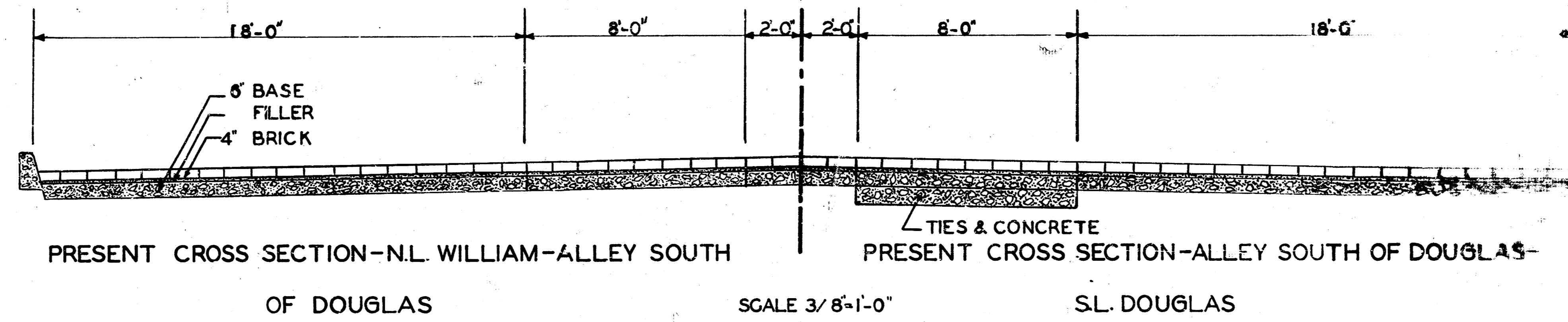


# EMPORIA AVE

NL.WILLIAM-SL.DOUGLAS

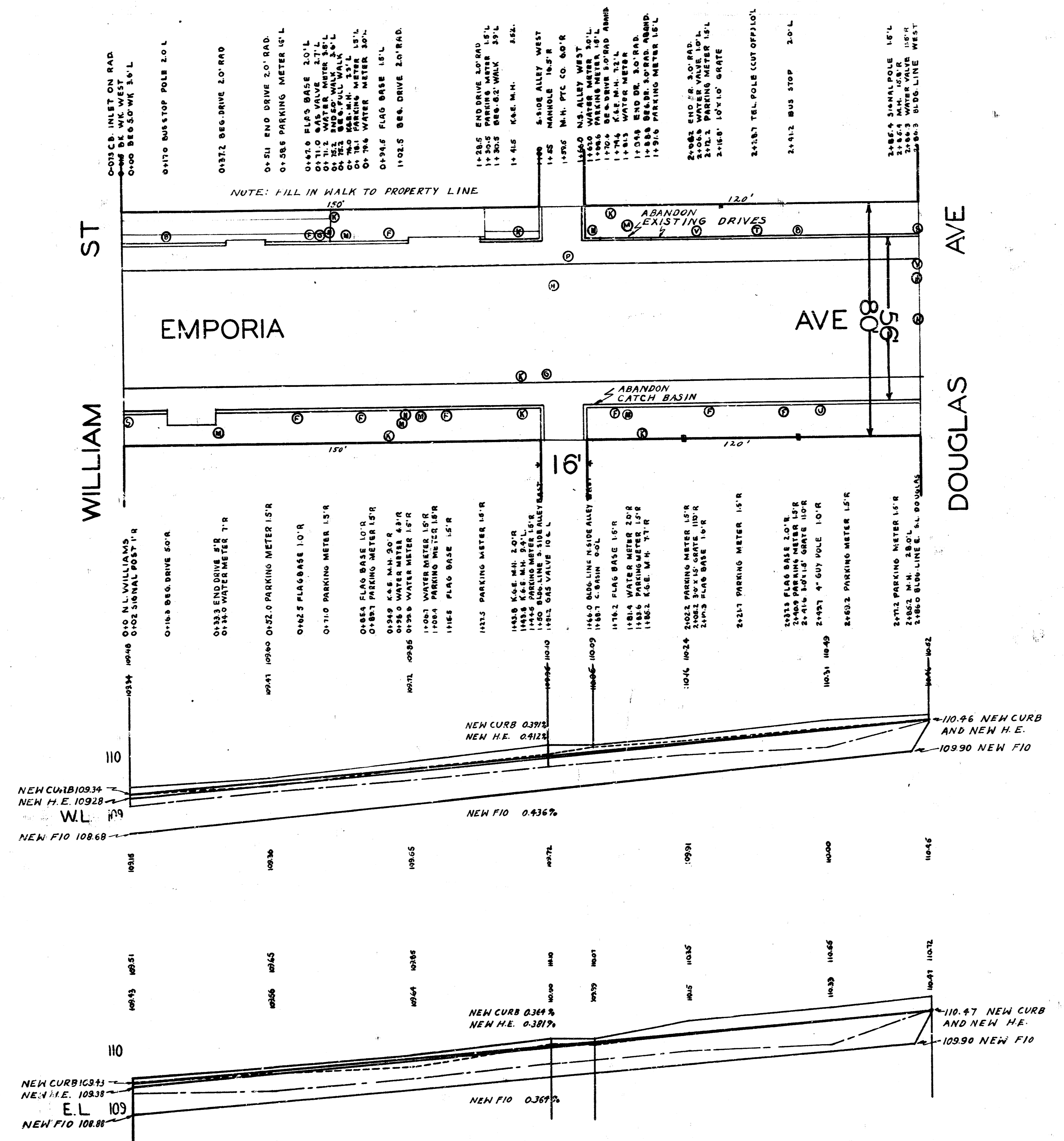
1946



CURB & GUTTER DETAIL  
SCALE 1/4"=1'-0"

REINFORCING STEEL DETAIL  
SCALE 3/8"=1'-0"

- LEGEND  
B - BUS STOP POLE  
F - FLAG BASE  
G - GAS VALVE  
H - MAN HOLE  
K - KEE MANHOLE  
M - WATER METER  
P - P.T.C. MAN HOLE  
S - SIGNAL POLE  
T - TELEPHONE POLE  
U - 4" GUY POLE  
V - WATER VALVE  
W - GRATE



NEW CURB 109.34  
NEW H.E. 109.18  
NEW F10 108.69

NEW CURB 109.31  
NEW H.E. 109.13  
NEW F10 108.81

NEW F10 0.436%

NEW F10 0.367%

NEW CURB 0.391%  
NEW H.E. 0.412%

NEW CURB 0.394%  
NEW H.E. 0.387%

NEW CURB AND NEW H.E.  
109.90 NEW F10

NOTE: FILL IN WALK TO PROPERTY LINE

ABANDON CATCH BASIN

ABANDON EXISTING DRIVES