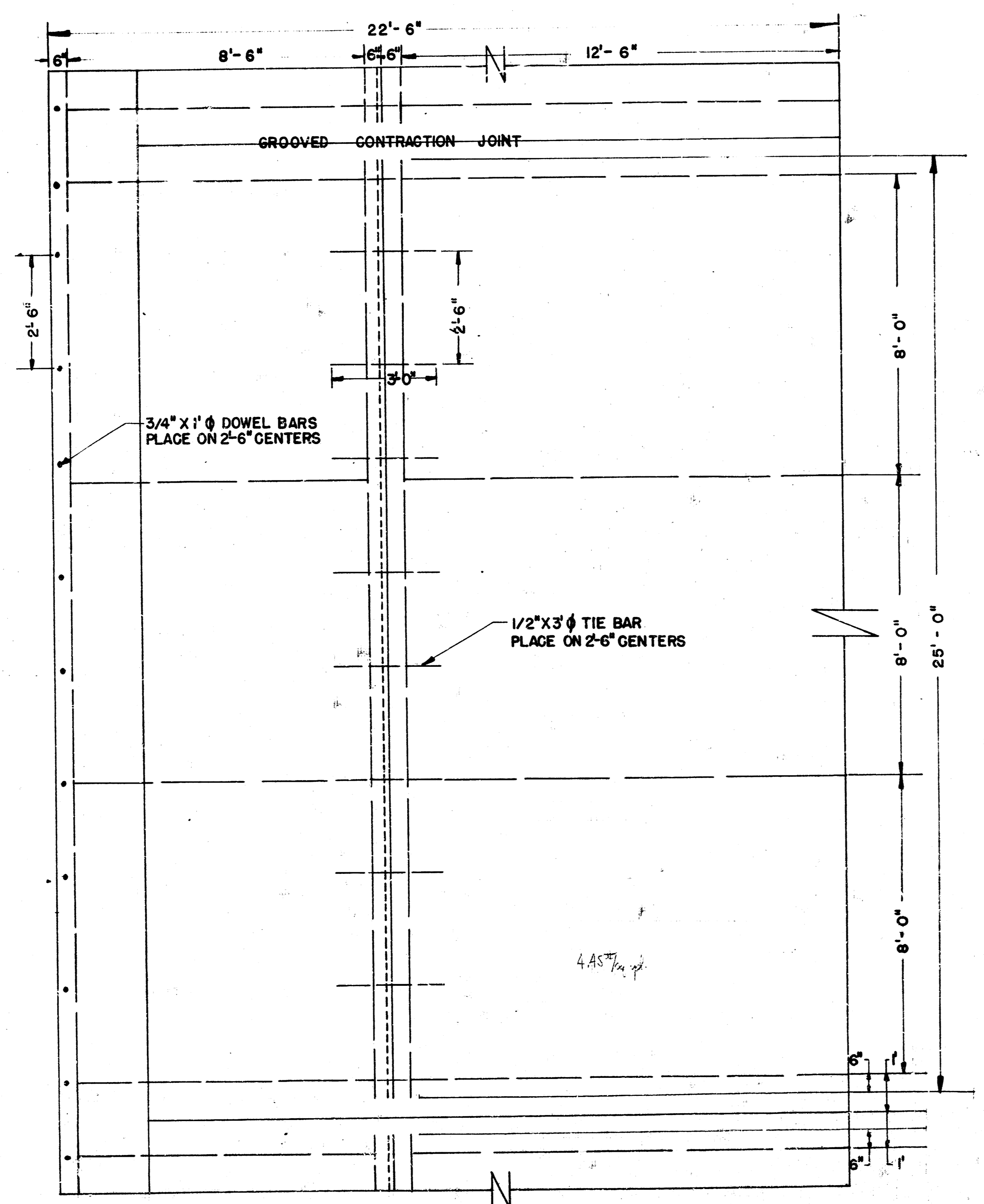
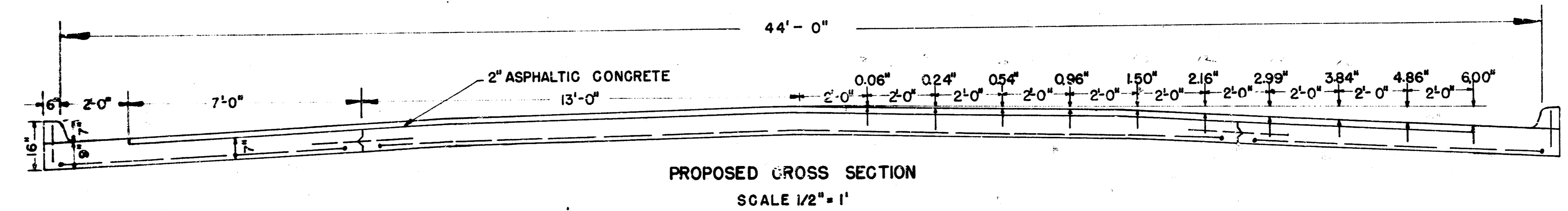
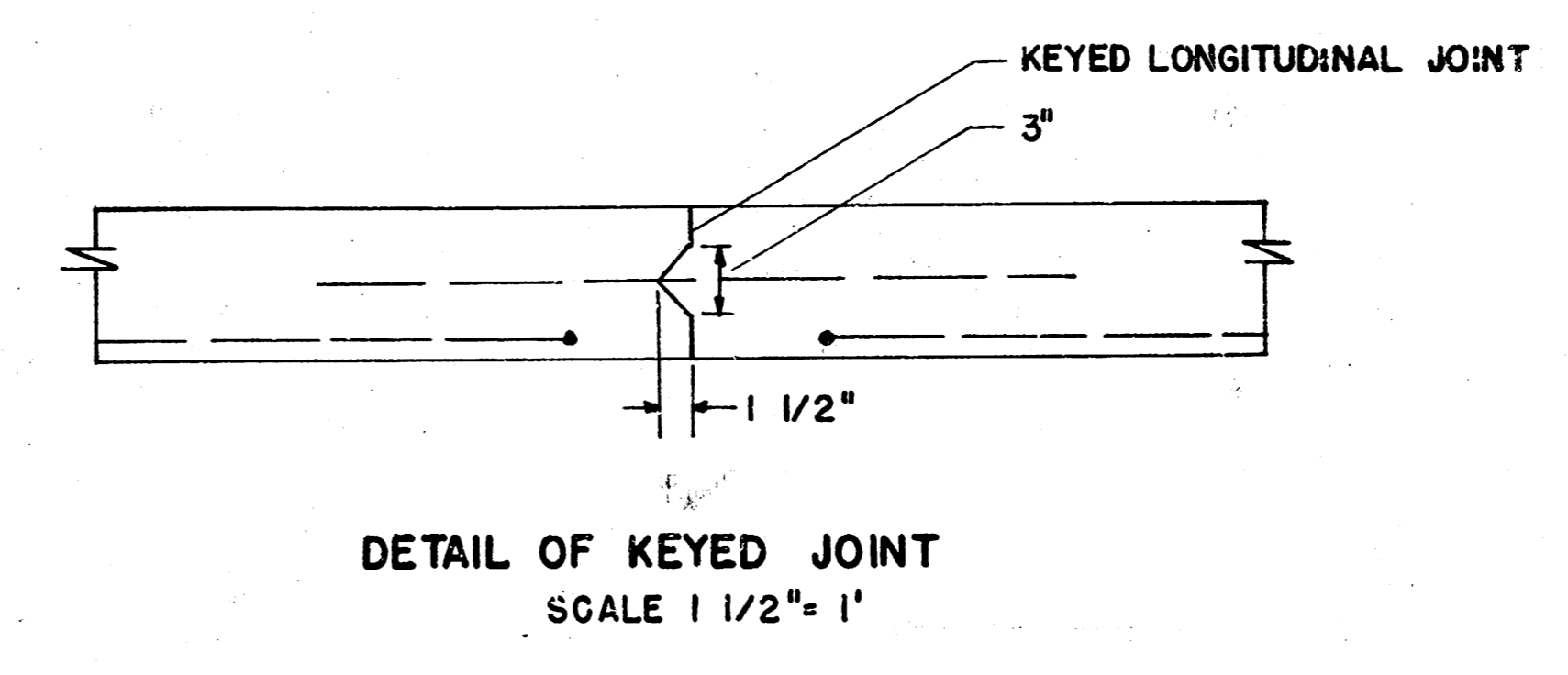


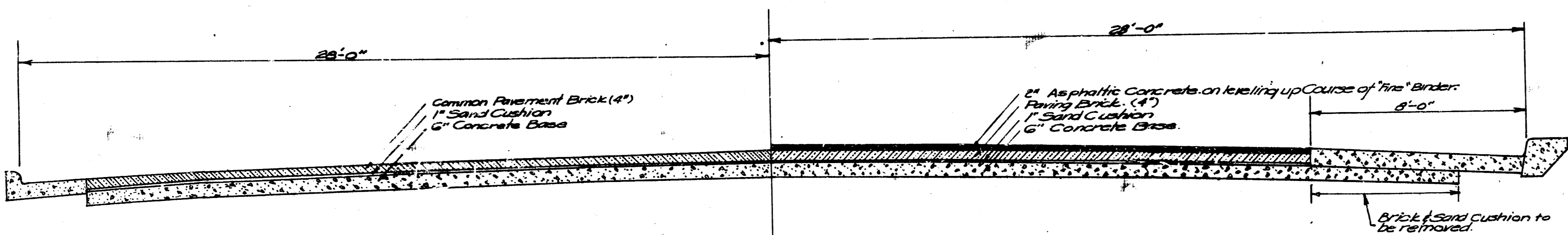
Douglas Avenue  
 WE GREGORY WAY      E. L. OLIVER  
 NL Driv.                      SL. 2 1/2  
 1949



NOTE:  
PLACE ALL TRANSVERSE STEEL  
MIDWAY (3 1/2") UP IN SLAB.



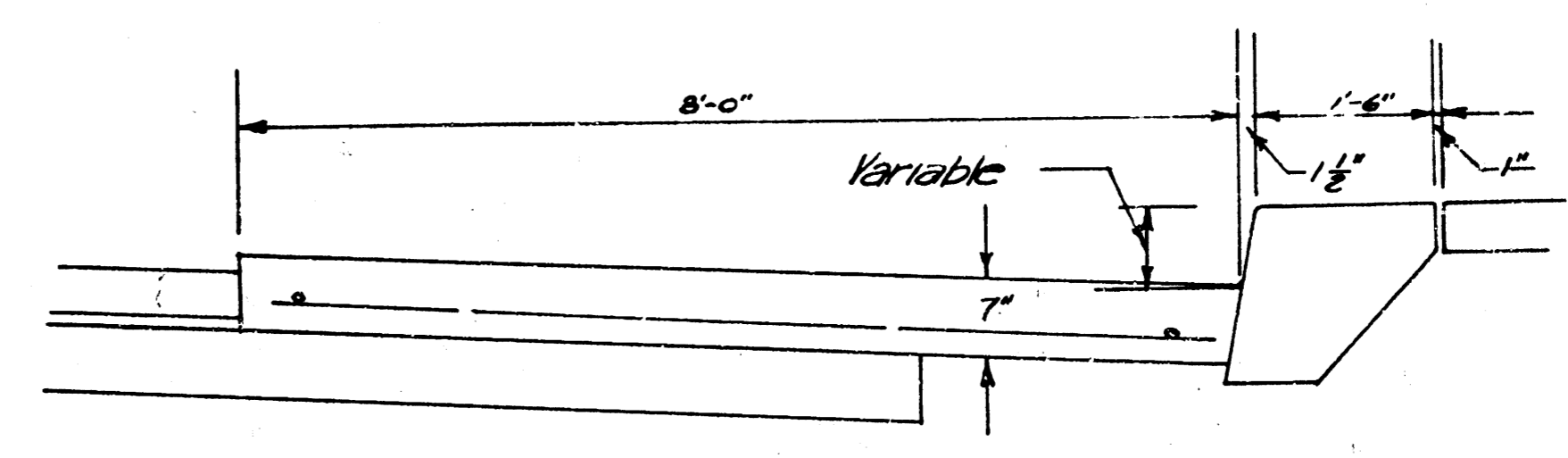
ALL STEEL 3/4"  $\phi$  UNLESS  
OTHERWISE NOTED



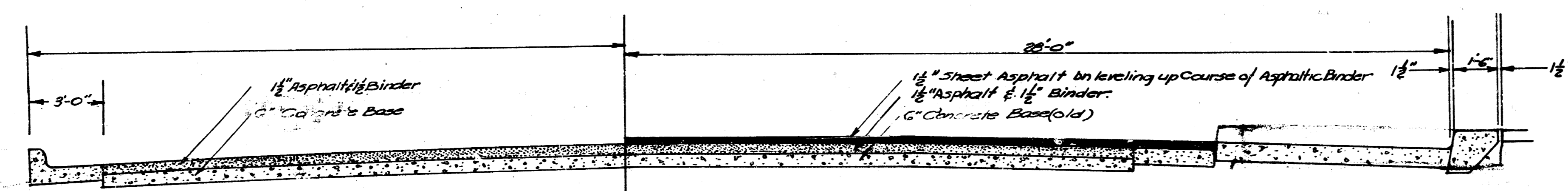
PRESENT CROSS-SECTION

PROPOSED CROSS-SECTION

EMPORIA-DOUGLAS-FIRST



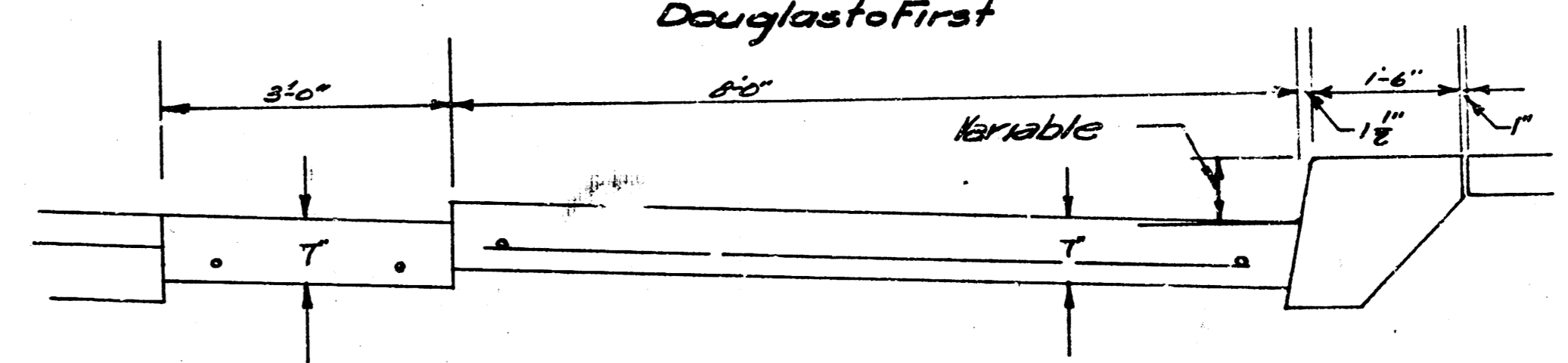
CURB & GUTTER DETAIL  
Douglas to First



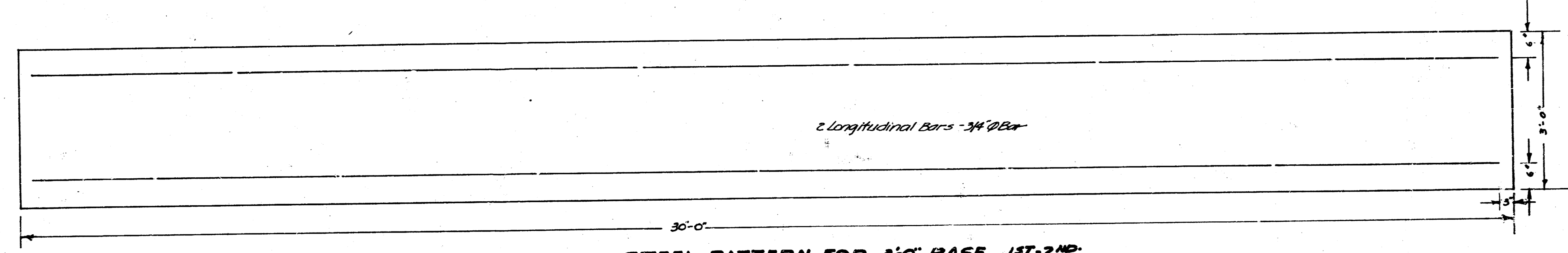
PRESENT CROSS SECTION

PROPOSED CROSS-SECTION

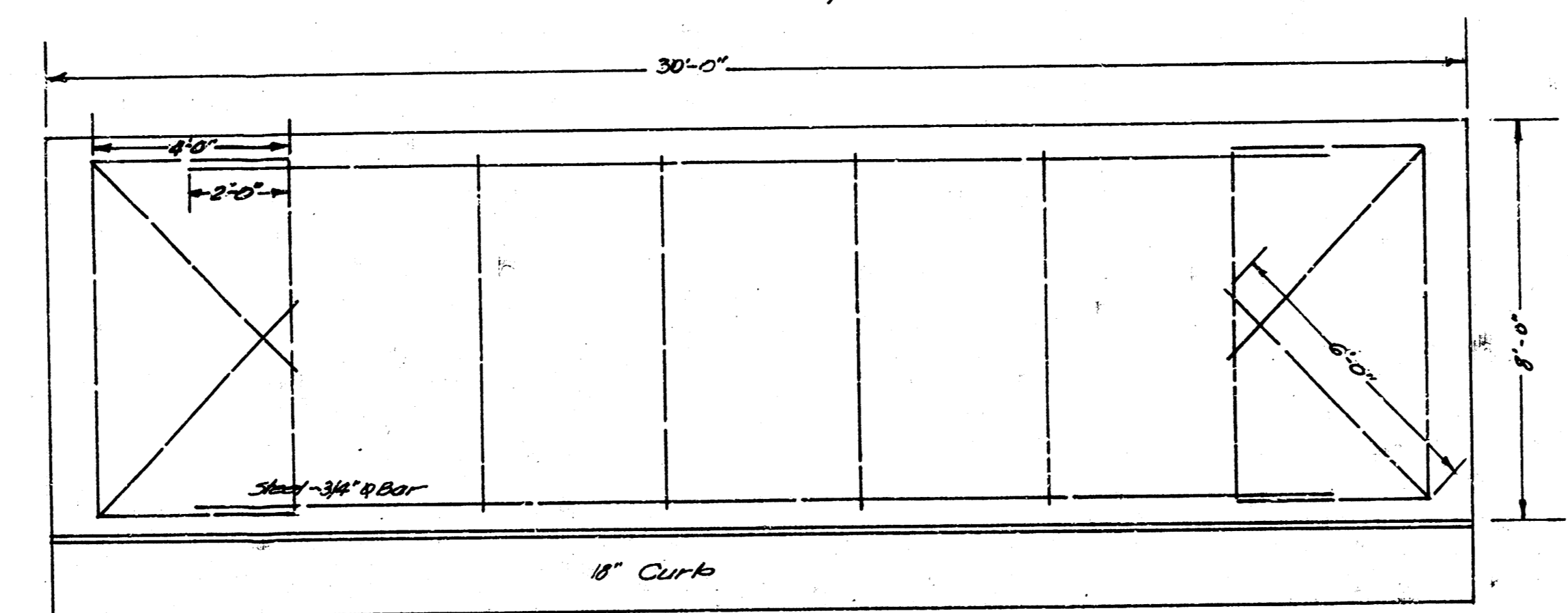
EMPORIA-FIRST-SECOND



CURB & GUTTER DETAIL  
First to Second

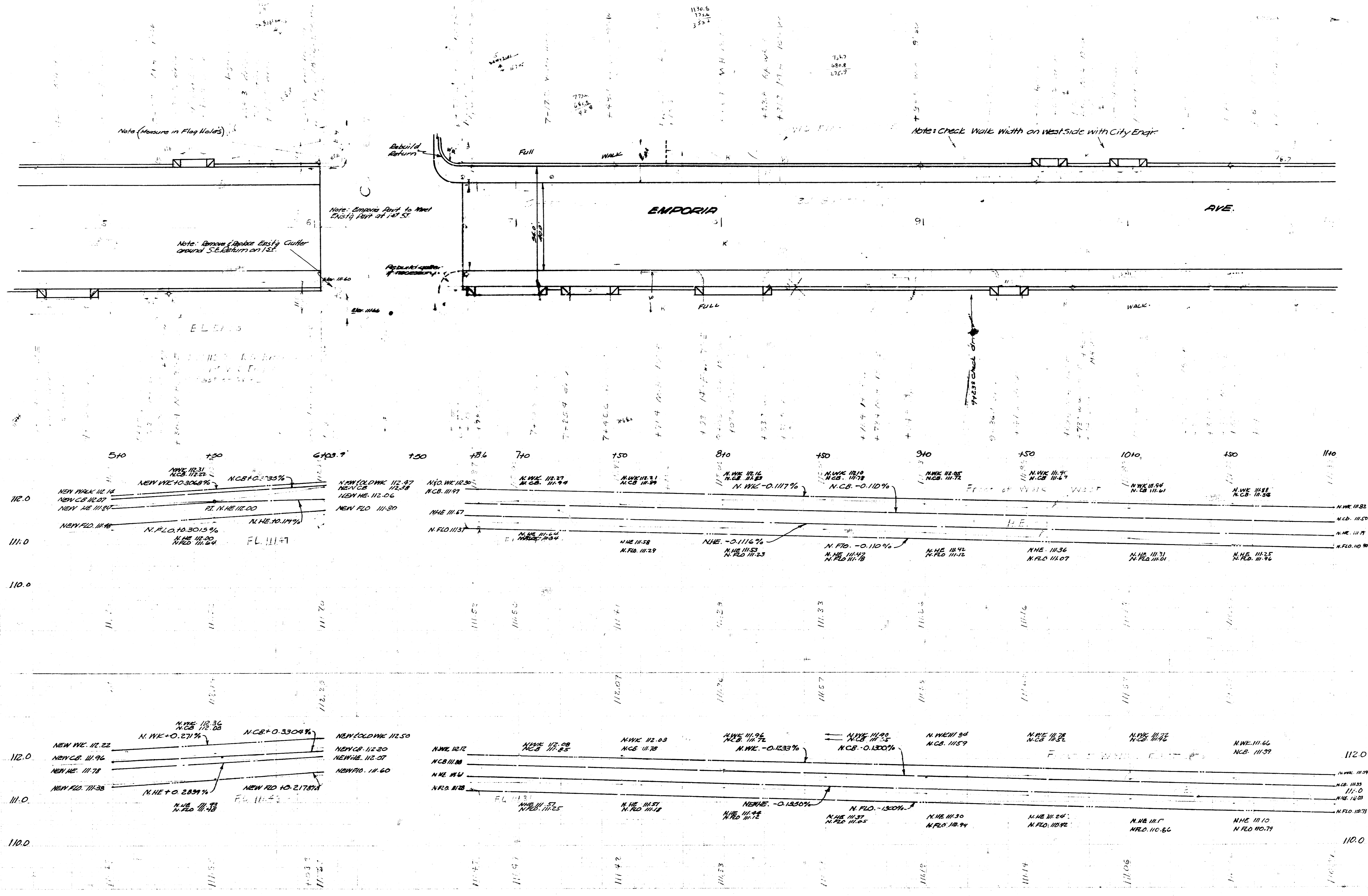


STEEL PATTERN FOR 5'-0" BASE 1ST-2ND  
Scale 3/16" = 1'-0"



STEEL PATTERN FOR 8' GUTTER  
Scale 3/16" = 1'-0"





Note: Measure in Flag Males

REBUILD RETURN

Note: Check Walk Width on West Side with City Engr

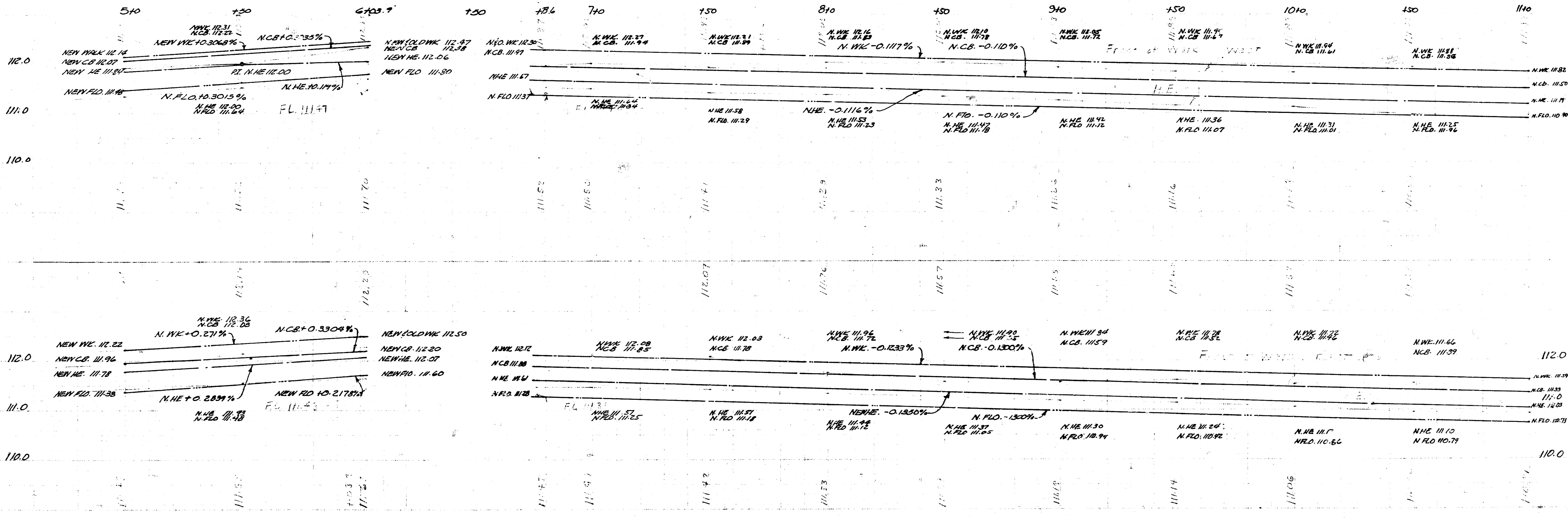
Note: Emporia Blvd to West End of 1st St

Note: Remove (Rebar) East's Coffer around S&E Return on 1st

EMPORIA

AVE.

ELEVATIONS



NEW WALK 112.14

NEW C&G 112.87

NEW HE 111.87

NEW FLD 111.84

NEW FLD 111.80

NEW FLD 111.87

NEW FLD 111.83

NEW FLD 111.82

NEW FLD 111.81

NEW FLD 111.80

NEW FLD 111.79

NEW FLD 111.78

NEW FLD 111.77

NEW FLD 111.76

NEW FLD 111.75

NEW FLD 111.74

NEW FLD 111.73

NEW FLD 111.72

NEW FLD 111.71

NEW FLD 111.70

NEW FLD 111.69

NEW FLD 111.68

NEW FLD 111.67

NEW FLD 111.66

NEW FLD 111.65

NEW FLD 111.64

NEW FLD 111.63

NEW FLD 111.62

NEW FLD 111.61

NEW FLD 111.60

NEW FLD 111.59

NEW FLD 111.58

NEW FLD 111.57

NEW FLD 111.56

NEW FLD 111.55

NEW FLD 111.54

NEW FLD 111.53

NEW FLD 111.52

NEW FLD 111.51

NEW FLD 111.50

NEW FLD 111.49

NEW FLD 111.48

NEW FLD 111.47

NEW FLD 111.46

NEW FLD 111.45

NEW FLD 111.44

NEW FLD 111.43

NEW FLD 111.42

NEW FLD 111.41

NEW FLD 111.40

NEW FLD 111.39

NEW FLD 111.38

NEW FLD 111.37

NEW FLD 111.36

NEW FLD 111.35

NEW FLD 111.34

NEW FLD 111.33

NEW FLD 111.32

NEW FLD 111.31

NEW FLD 111.30

NEW FLD 111.29

NEW FLD 111.28

NEW FLD 111.27

NEW FLD 111.26

NEW FLD 111.25

NEW FLD 111.24

NEW FLD 111.23

NEW FLD 111.22

NEW FLD 111.21

NEW FLD 111.20

NEW FLD 111.19

NEW FLD 111.18

NEW FLD 111.17

NEW FLD 111.16

NEW FLD 111.15

NEW FLD 111.14

NEW FLD 111.13

NEW FLD 111.12

NEW FLD 111.11

NEW FLD 111.10

NEW FLD 111.09

NEW FLD 111.08

NEW FLD 111.07

NEW FLD 111.06

NEW FLD 111.05

NEW FLD 111.04

NEW FLD 111.03

NEW FLD 111.02

NEW FLD 111.01

NEW FLD 111.00

