

INTERSECTION RECONSTRUCTION

JEWELL & ST. CLAIR

20TH ST. & GARLAND
20TH ST. & HOOD

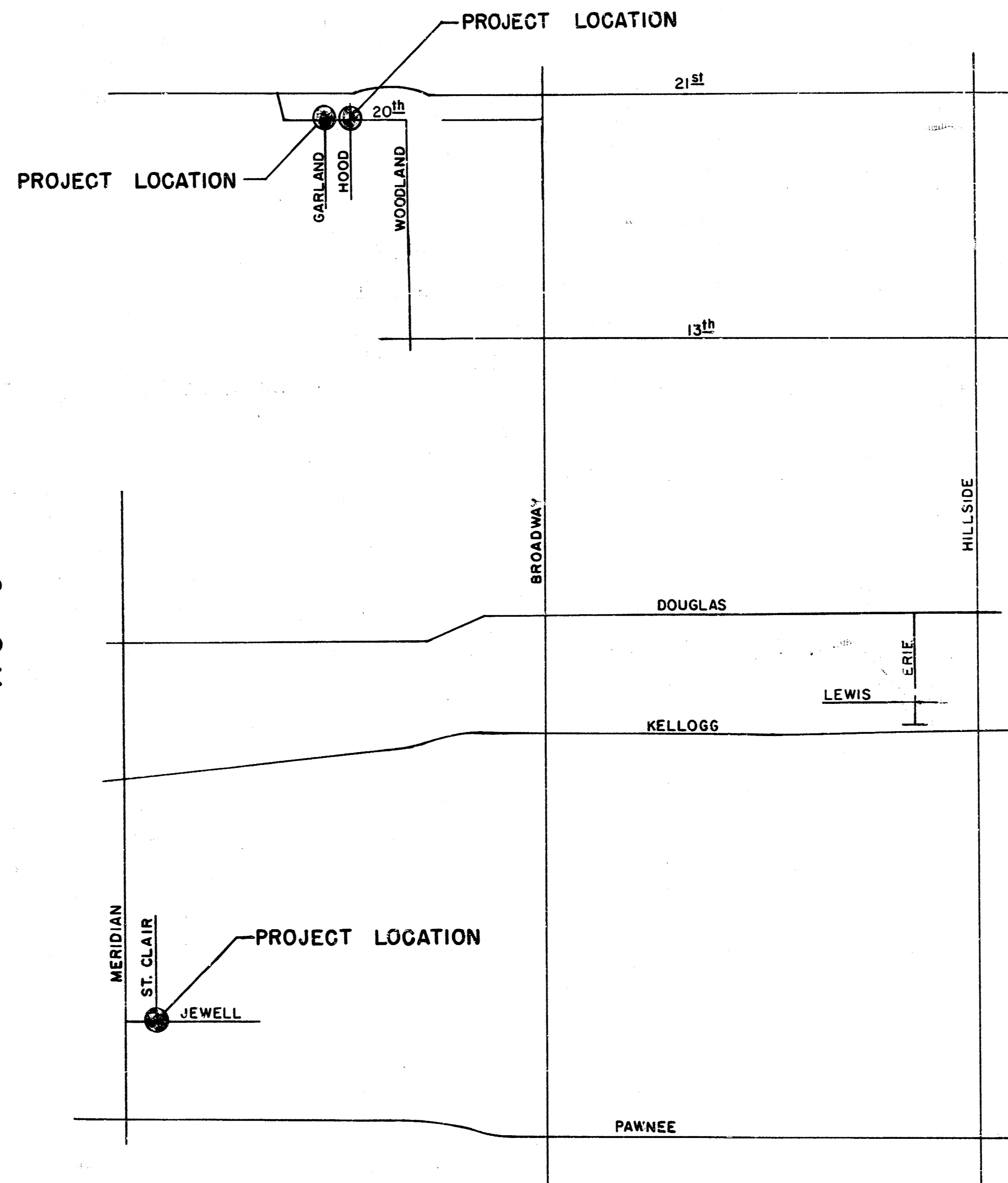
PROJ. NO. 472-76-245-81498-000-000-001

CITY OF WICHITA, KANSAS
MIKE LINDEBAK , CITY ENGINEER
OCTOBER, 1986

GENERAL NOTES

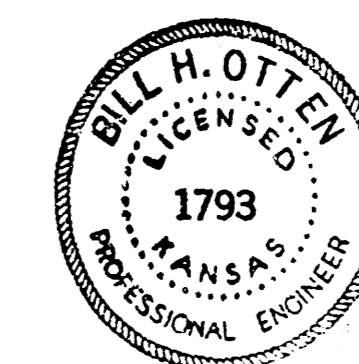
- ALL CONSTRUCTION AND MATERIALS TO COMPLY WITH CITY OF WICHITA STANDARDS.
- CONCRETE SHALL BE STANDARD PAVING MIX UNLESS OTHERWISE NOTED.
- NOTIFY THE FOLLOWING COMPANIES PRIOR TO ANY TRENCHING.
KANSAS ONE-CALL 1-800-344-7233
IN CASE OF EMERGENCY CALL
ARKLA GAS COMPANY 942-8350
BELL TELEPHONE CO. 1-571-2611
CABLEVISION 266-6817
GAS SERVICE COMPANY 263-7511
KANSAS GAS & ELECTRIC 261-6248
- THE BURIED UTILITIES AS LOCATED ON THE PLANS ARE APPROXIMATE LOCATIONS ONLY. IT SHOULD BE NOTED THAT OTHER BURIED LINES AND CABLES MAY EXIST WHICH ARE NOT SHOWN ON THESE PLANS. THE CONTRACTOR SHALL EXERCISE EXTREME CAUTION DURING CONSTRUCTION OPERATIONS TO AVOID DAMAGING THESE LINES. ANY LINES DAMAGED SHALL BE REPLACED OR REPAIRED IMMEDIATELY AS DIRECTED BY THE ENGINEER AT THE CONTRACTOR'S EXPENSE.
- ALL PROPERTY IRONS AND CONTROL POINTS WILL BE PROTECTED. IF REMOVED DURING CONSTRUCTION, CONTRACTOR WILL HAVE THEM REPLACED BY A LICENSED ENGINEER OR LAND SURVEYOR AT THE CONTRACTOR'S EXPENSE.
- ALL ELEVATIONS SHOWN ARE CITY OF WICHITA DATUM (USGS-1187.4 = CITY DATUM).
- CONTRACTOR SHALL NOTIFY THE UTILITY COMPANIES OF CONSTRUCTION SCHEDULING.

A saw cut of at least one-half the depth of existing surface courses or one-fourth the depth of the existing total pavement thickness shall be provided at locations where proposed construction abuts an existing surface course or pavement for which partial removal of that surface or pavement is required. Sawed joint to facilitate removal within three (3) feet of existing joints will not be permitted and for such instances the limits of removal shall extend to the existing joint. Such saw cuts will not be paid for directly and this cost shall be considered as subsidiary to the removal of the surface or pavement.

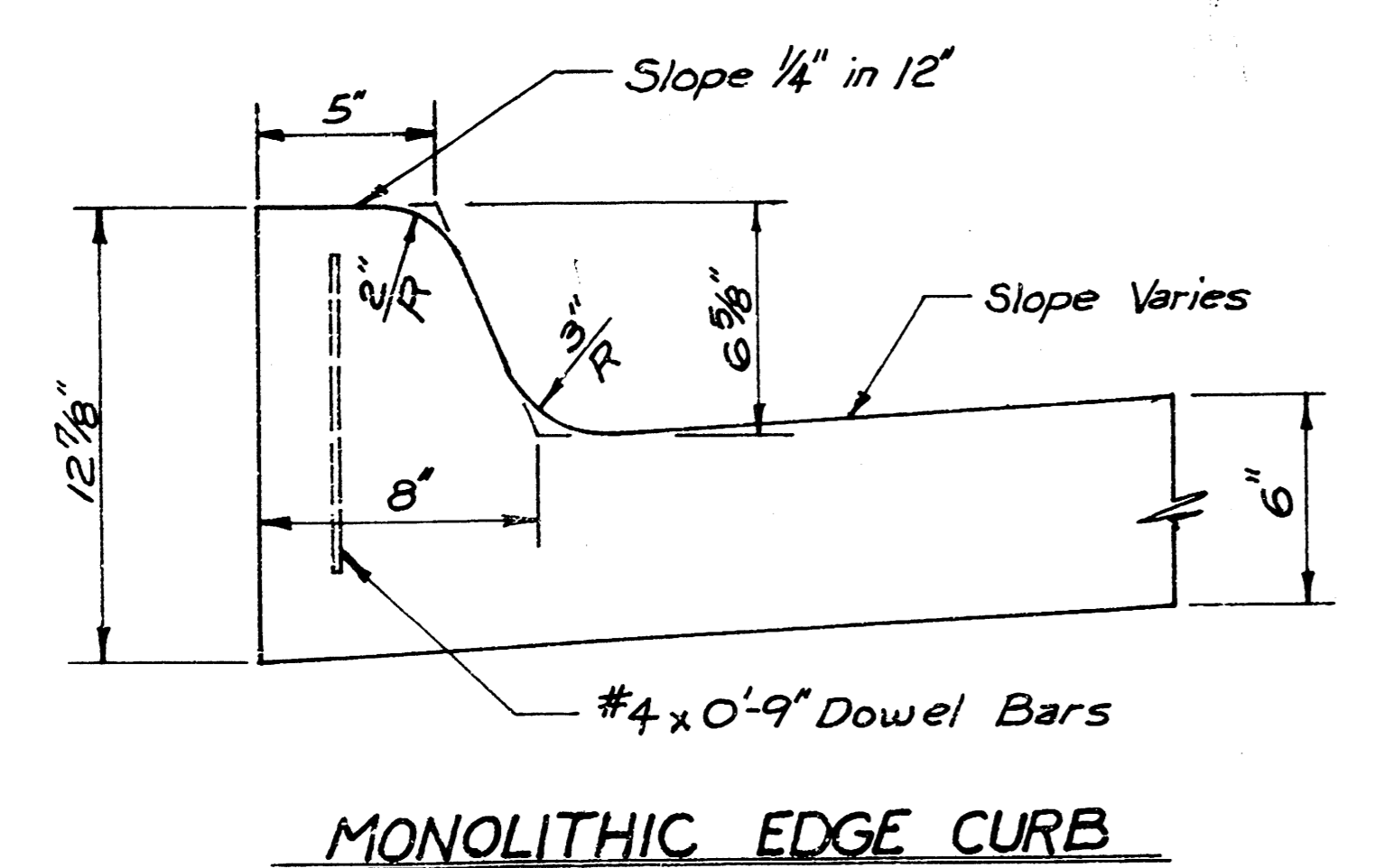
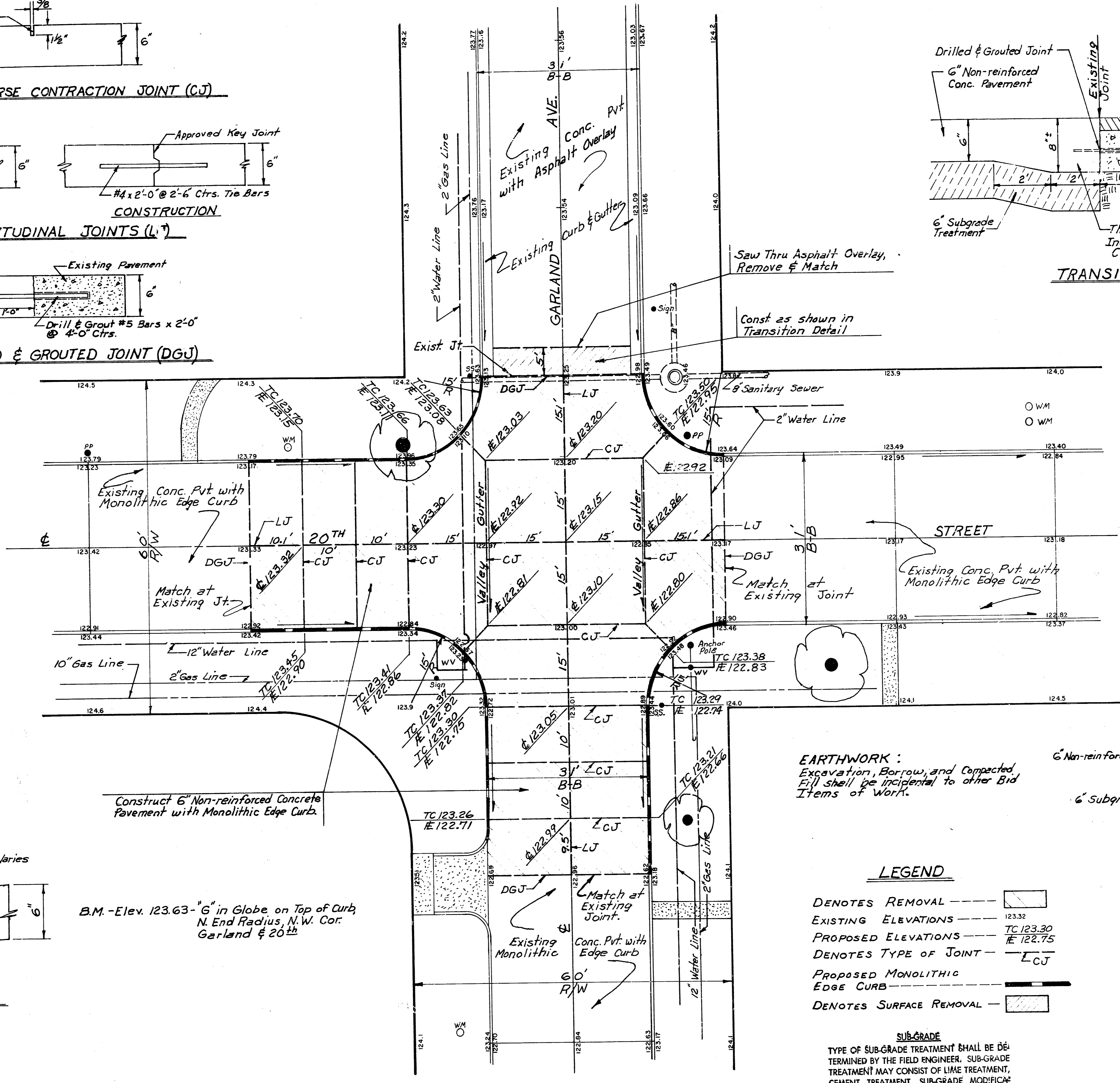
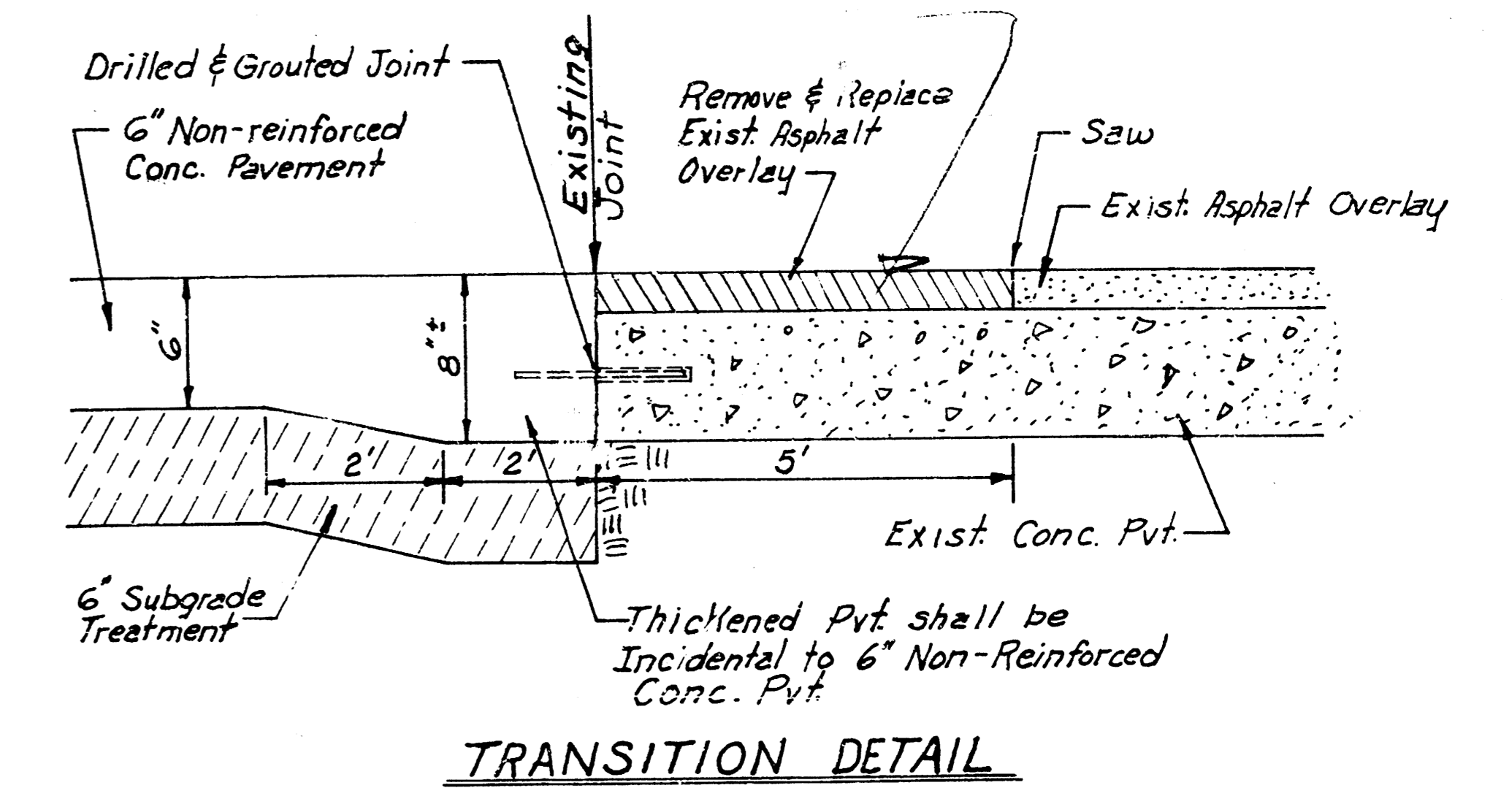
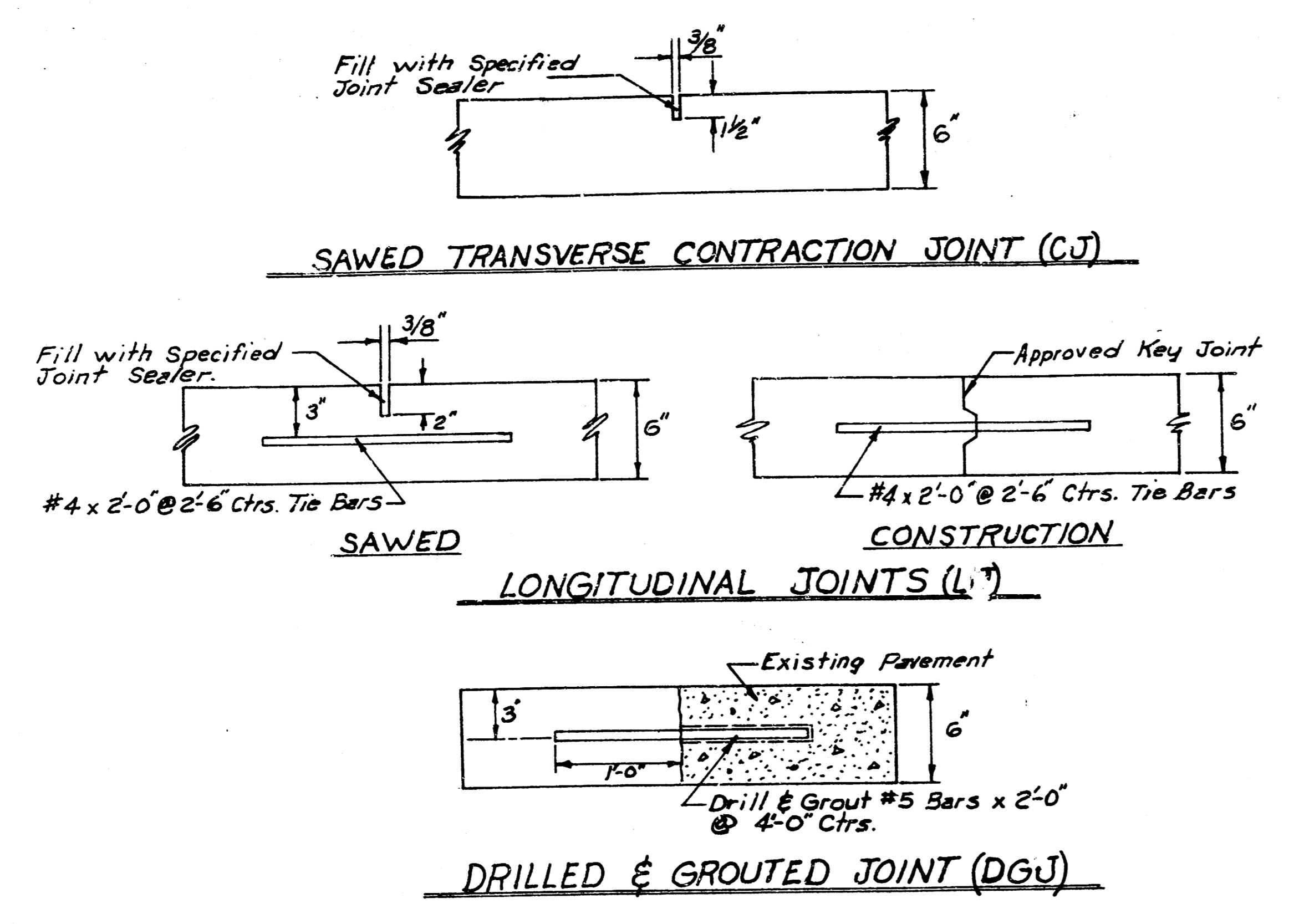


INDEX TO DRAWINGS

| SHEET NO. | DESCRIPTION |
|-----------|----------------------------|
| 1. | TITLE |
| 2. | JEWELL & ST. CLAIR |
| 3. | 20 TH & GARLAND |
| 4. | 20 TH & HOOD |

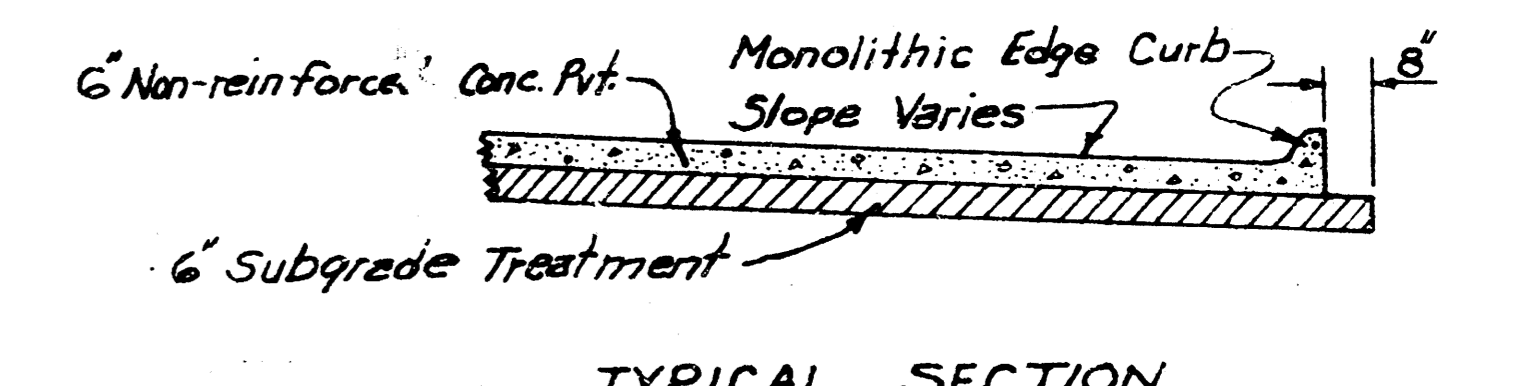


| | | |
|---|---|-----------------------|
| HO - J | INTERSECTION RECONSTRUCTION | DESIGN BHO |
| | PROJ.# 472-76-245-81498-000-000-001 CITY OF WICHITA, KANSAS | DRAWN BY BHC |
| | | CHECKED BY JB |
| | | JOB NO. |
| | | DATE |
| HO-J ENGINEERING | 1/4 | SHEET 1 OF 4 |
| 1542 SOUTH ST. FRANCIS WICHITA, KANSAS 67211 | 264-0341 | |



B.M. - Elev. 123.63 - 6" in Globe on Top of Curb, N. End Radius, N.W. Cor. Garland & 20th

EARTHWORK:
 Excavation, Borrow, and Connected Fill shall be incidental to other Bid Items of Work.

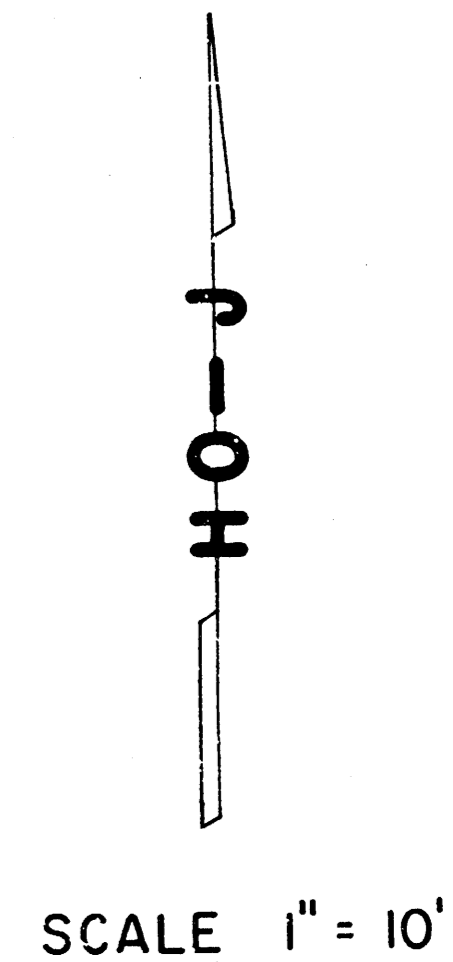


LEGEND

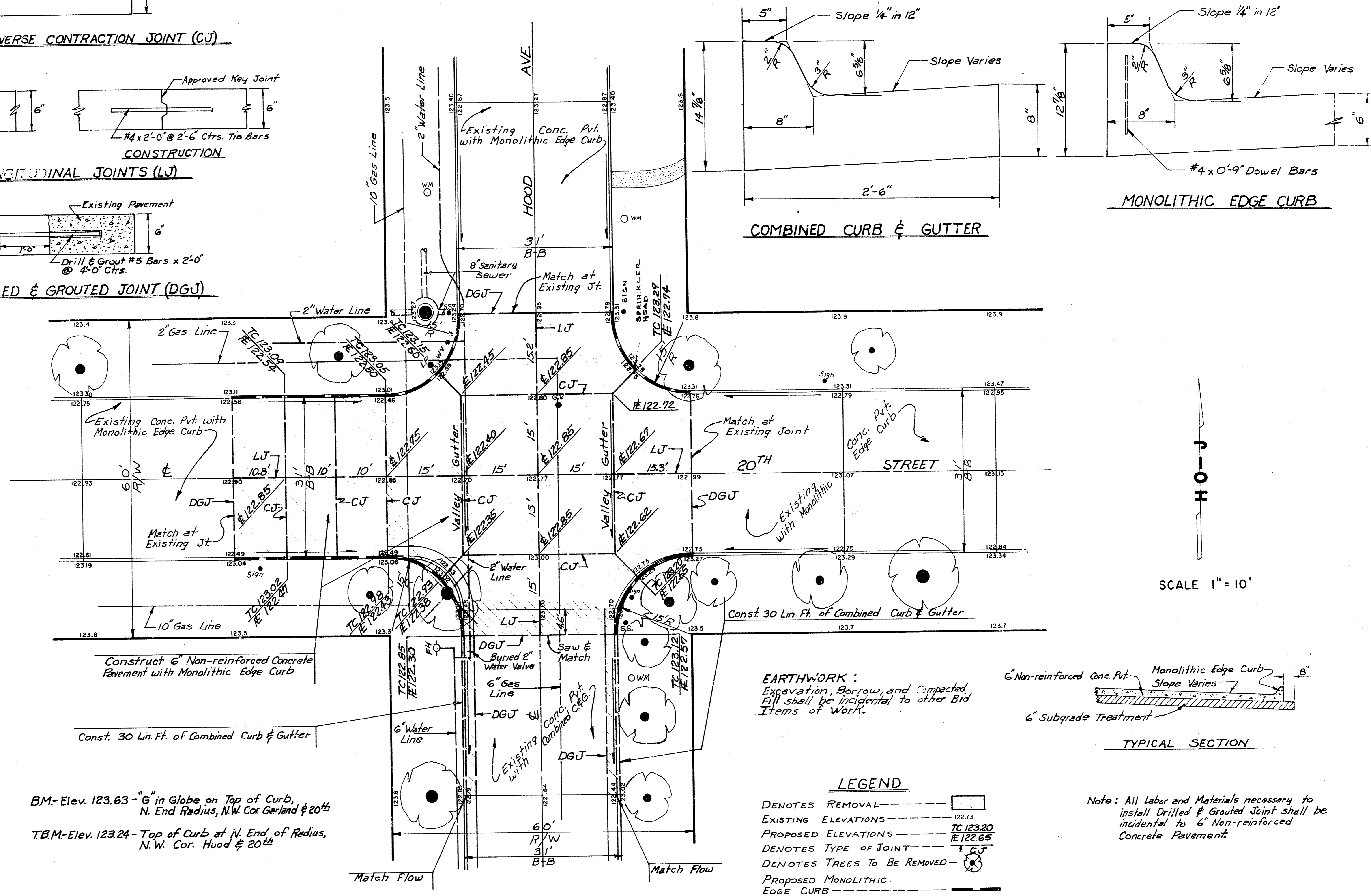
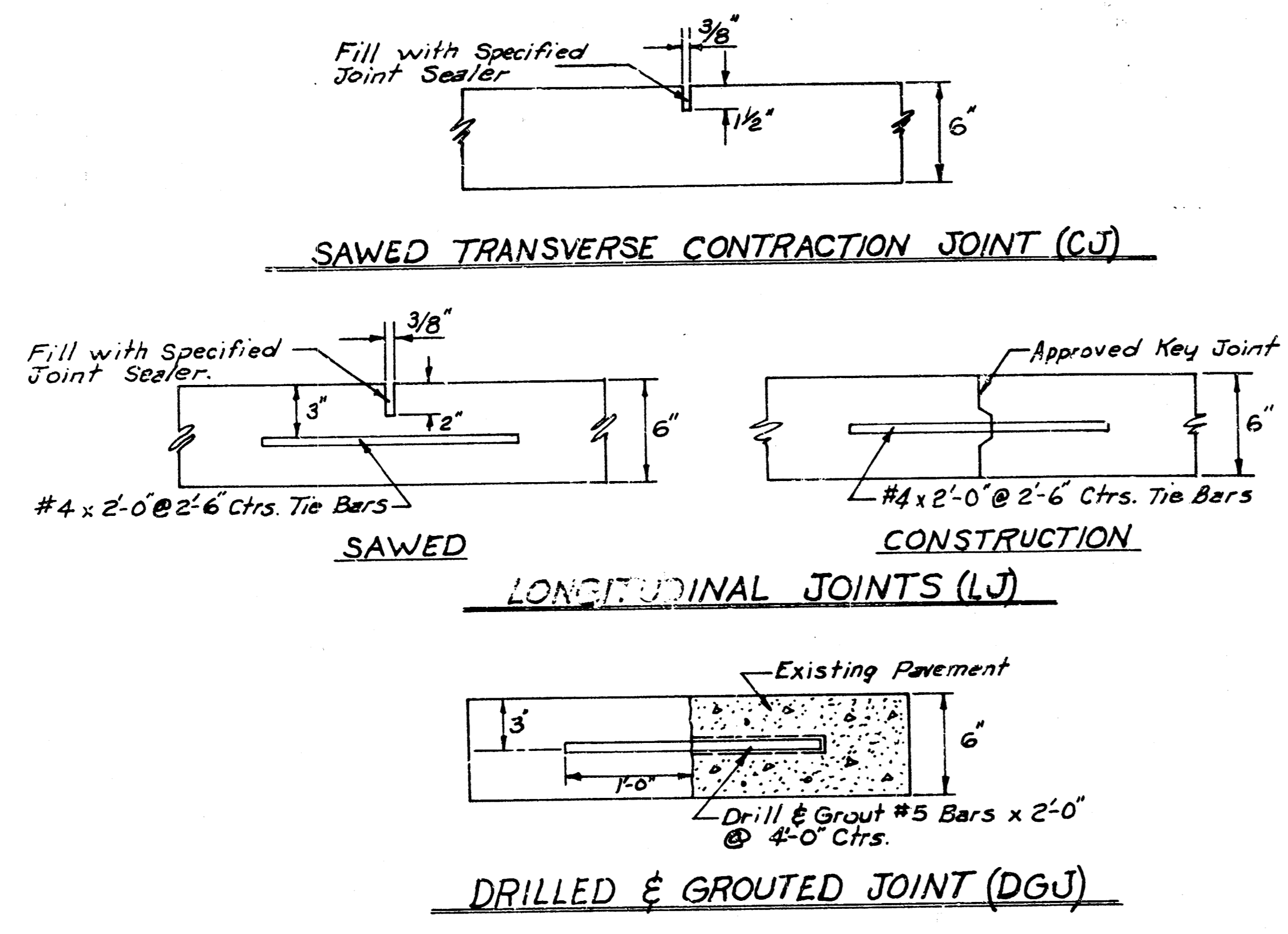
| | |
|-------------------------------|-----------|
| DENOTES REMOVAL | --- |
| EXISTING ELEVATIONS | TC 123.30 |
| PROPOSED ELEVATIONS | IE 122.75 |
| DENOTES TYPE OF JOINT | -CJ |
| PROPOSED MONOLITHIC EDGE CURB | --- |
| DENOTES SURFACE REMOVAL | --- |

SUBGRADE
 TYPE OF SUB-GRADE TREATMENT SHALL BE DETERMINED BY THE FIELD ENGINEER. SUB-GRADE TREATMENT MAY CONSIST OF LIME TREATMENT, CEMENT TREATMENT, SUB-GRADE MODIFICATION, OR ANY COMBINATION OF THESE.

PROJ. NO. 472-76-245-81498-000-000-001
RECONSTRUCTION OF 20TH ST. & GARLAND INTERSECTION SHEET 3 OF 4

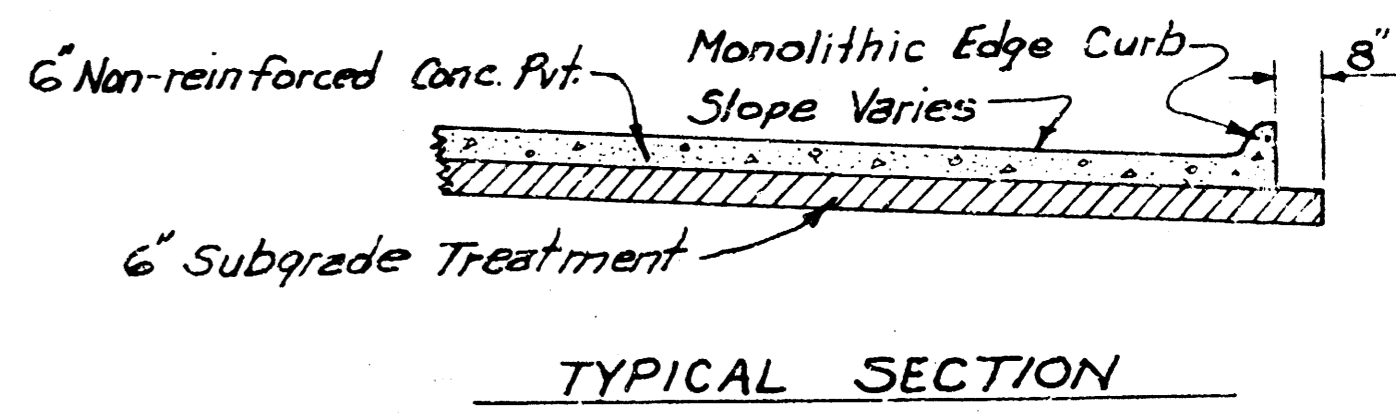


FILMED FROM THE BEST AVAILABLE COPY.....



BM-Elev. 123.63 - 6" in Globe on Top of Curb, N. End Radius, N.W. Cor. Garland & 20th
 TBM-Elev. 123.24 - Top of Curb at N. End of Radius, N.W. Cor. Hood & 20th

EARTHWORK:
 Excavation, Borrow, and Compacted Fill shall be incidental to other Bid Items of Work.



LEGEND

DENOTES REMOVAL - - - - -
 EXISTING ELEVATIONS - - - - - 122.73
 PROPOSED ELEVATIONS - - - - - TC 123.20
 E 122.65
 DENOTES TYPE OF JOINT - - - - - CJ
 DENOTES TREES TO BE REMOVED - (X)
 PROPOSED MONOLITHIC EDGE CURB - - - - -

SUBGRADE
 TYPE OF SUB-GRADE TREATMENT SHALL BE DETERMINED BY THE FIELD ENGINEER. SUB-GRADE TREATMENT MAY CONSIST OF LIME TREATMENT, CEMENT TREATMENT, SUB-GRADE MODIFICATION, OR ANY COMBINATION OF THESE.

PROJ. NO. 472-76-245-81498-000-000-001
RECONSTRUCTION OF 20TH ST. & HOOD INTERSECTION
 SHEET 4 OF 4

FILMED FROM THE BEST AVAILABLE COPY