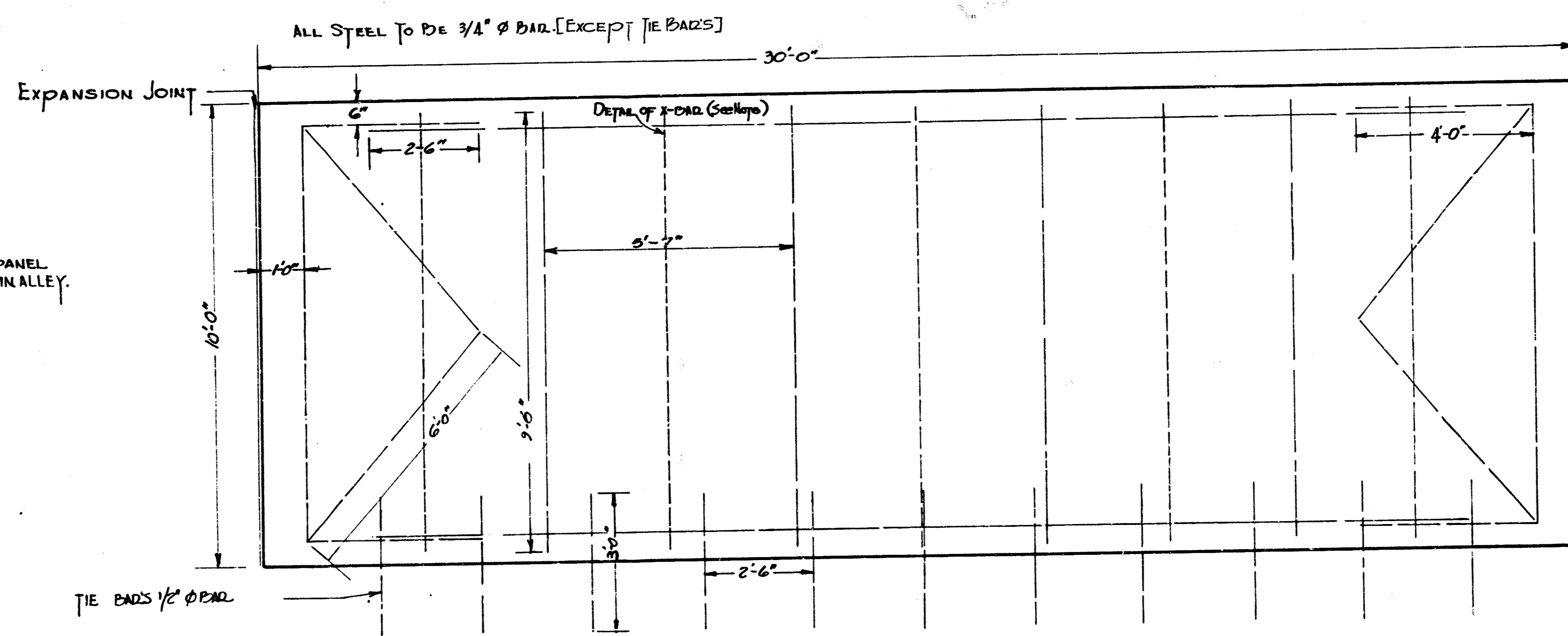


PROPOSED CROSS-SECTION STEEL PATTERN FOR ALLEY IN RES. H  
 BUILDER'S 3RD ADDITION

SCALE - 1/2" = 1'-0"



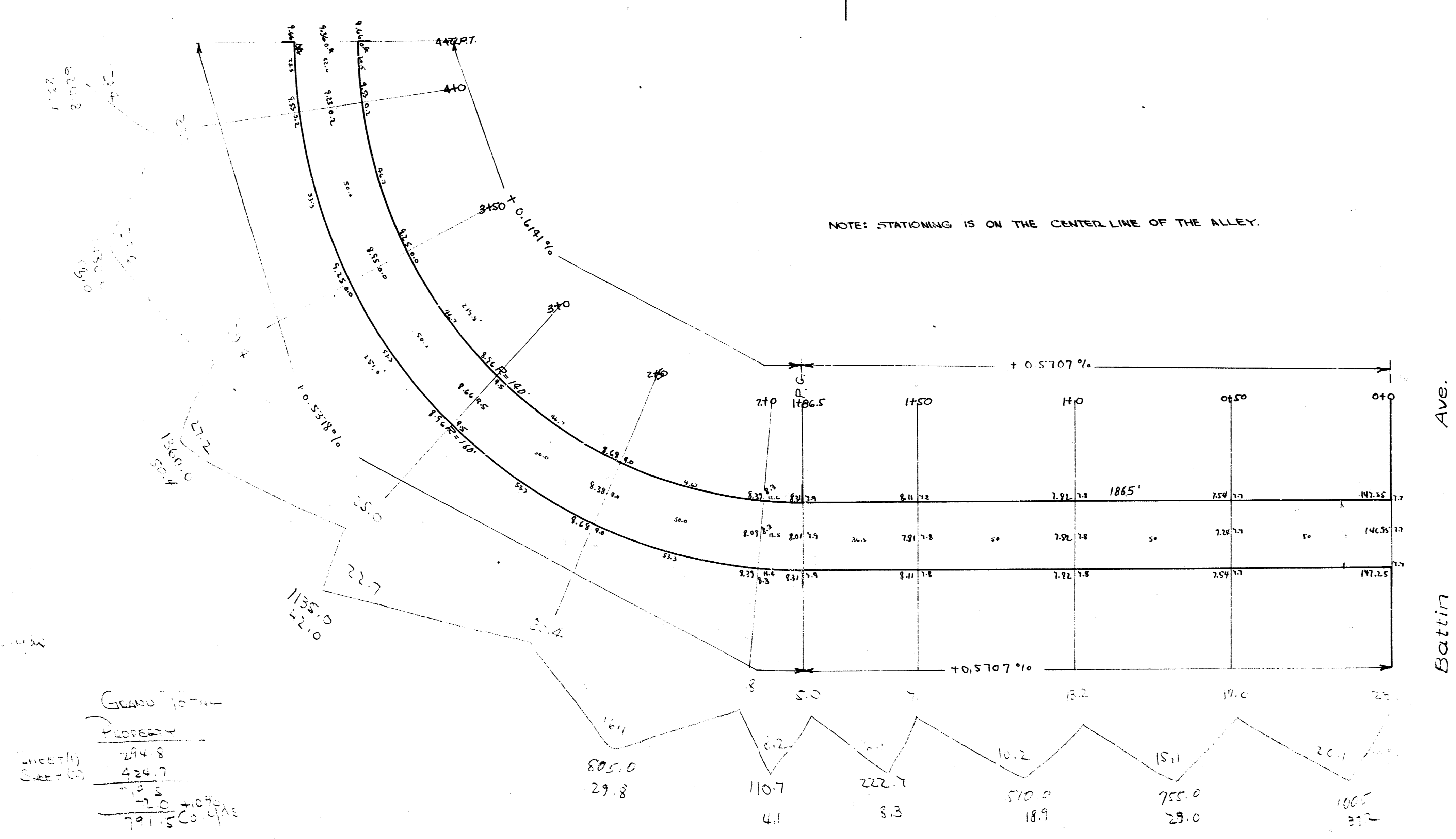
NOTE:  
 PLACE 5 EXTRA CROSS BARS PER PANEL  
 WHERE SEWER DITCH IS NOT CENTERED IN ALLEY.

*Handwritten notes:*  
 11/27/53  
 11/27/53

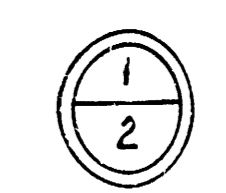
BM 1517B R.R. Spike NS. K.G.E. Pole 100' E. of EL. ELVICO - S.L. HANBY.



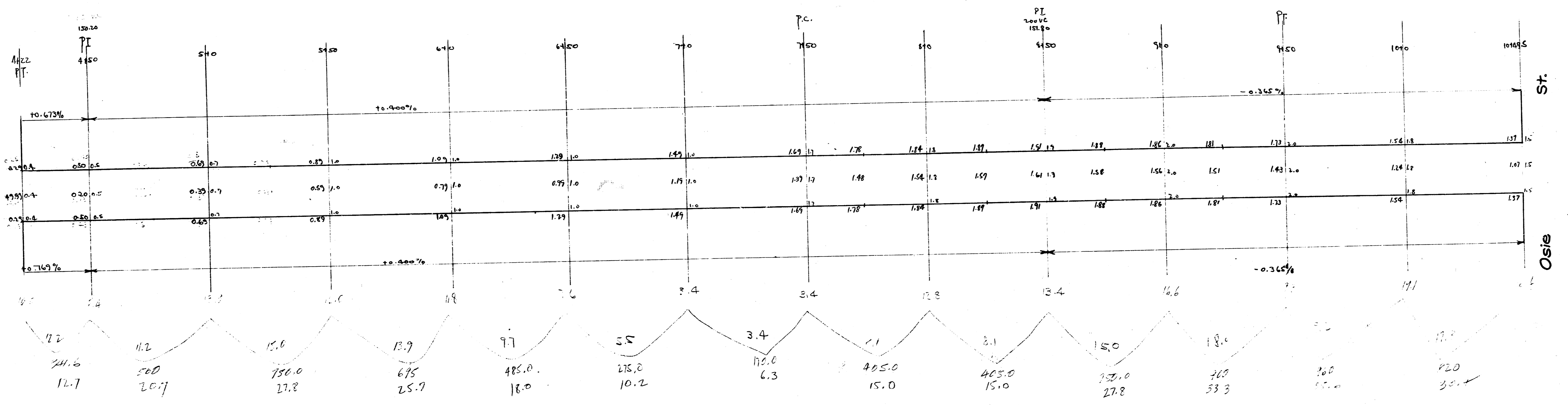
NOTE: STATIONING IS ON THE CENTER LINE OF THE ALLEY.



GRAND TOTAL  
 PROTECT  
 214.8  
 434.7  
 3.5  
 10.0  
 781.5 Co. 4/26

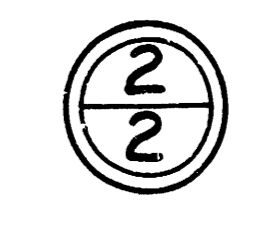


ALLEY IN RESERVE "H"  
 BUILDER'S 3<sup>RD</sup> ADDN.  
 W.L. Battin to S.L. Osie  
 20' Conc.  
 City of Wichita, Kans.  
 L. K. White City Engineer  
 December, 1949 Private Job



578.5' 00" 11.3

NOTE: STATIONING TO PVI OR CENTER LINE



3 5 5



