

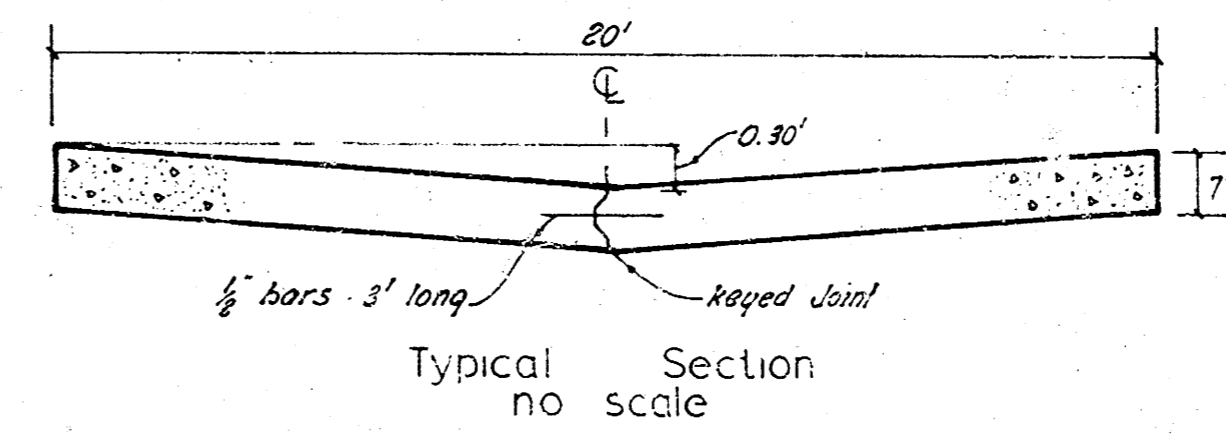
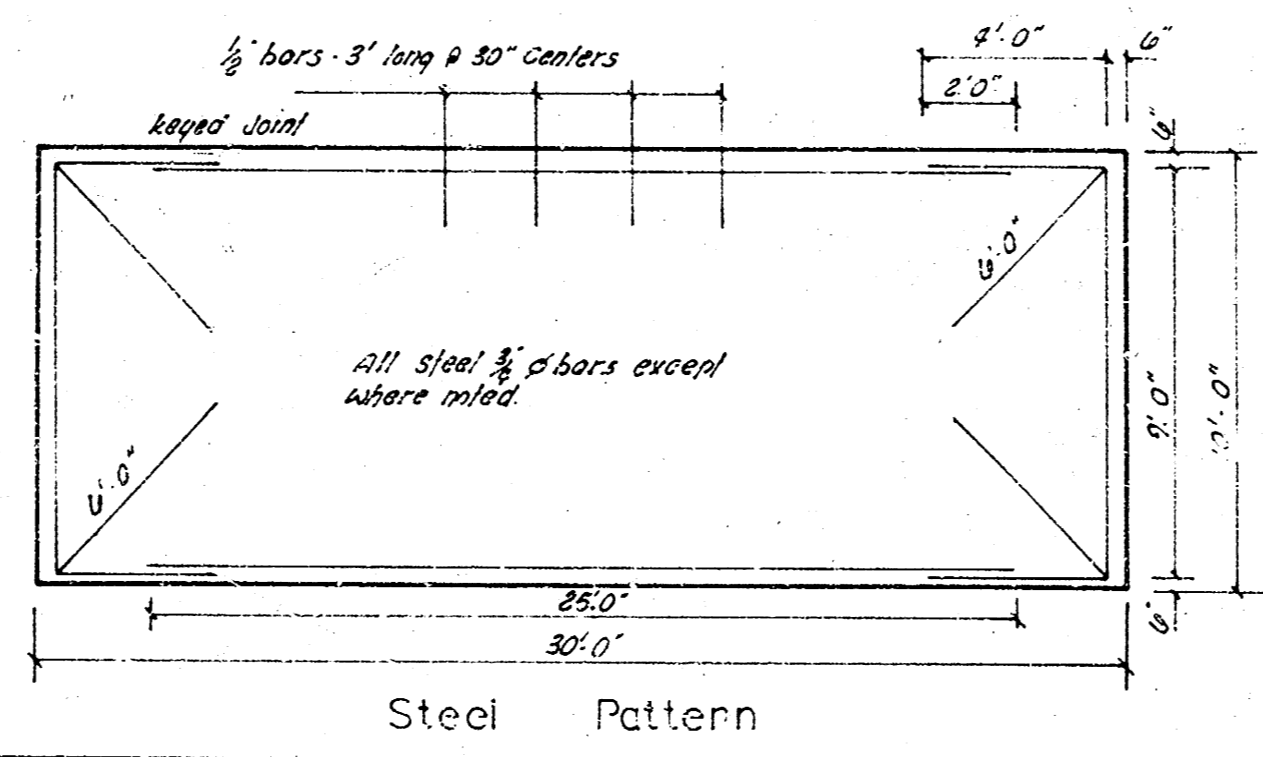
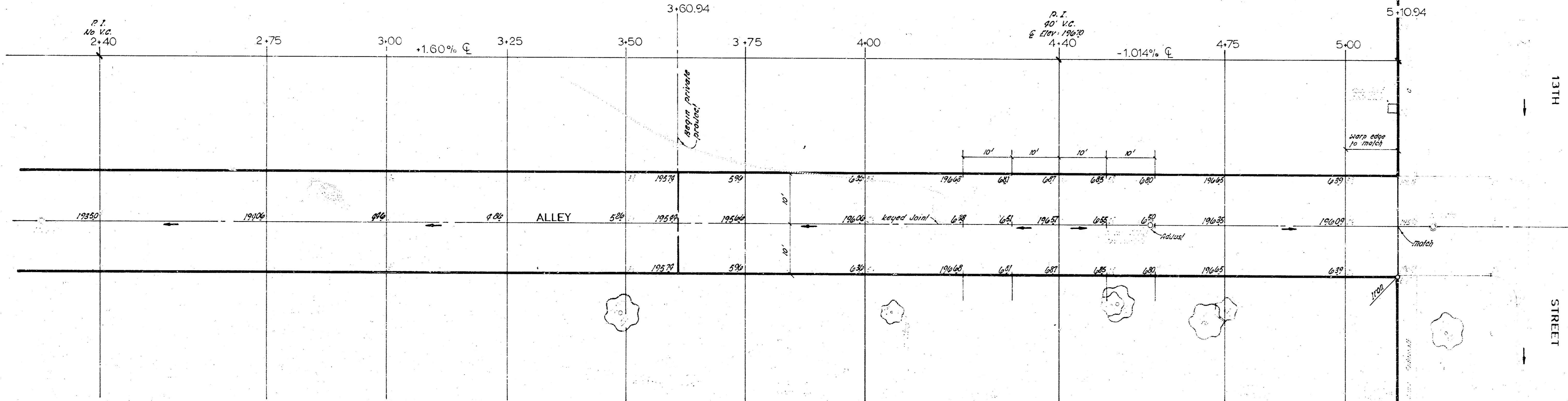
B.M. 1893 Extreme N.E. Cor Stone monument N.E. Corner 13th and Armour.
 B.M. 1978 14" in Manhole Fire Hydrant S side 13th 180' E. of N-S alley E. of Woodlawn.



WOODLAWN BLVD

Excavation - 8.9 cu yds
 Comp fill - 33.5 cu yds

DRY SERVICE

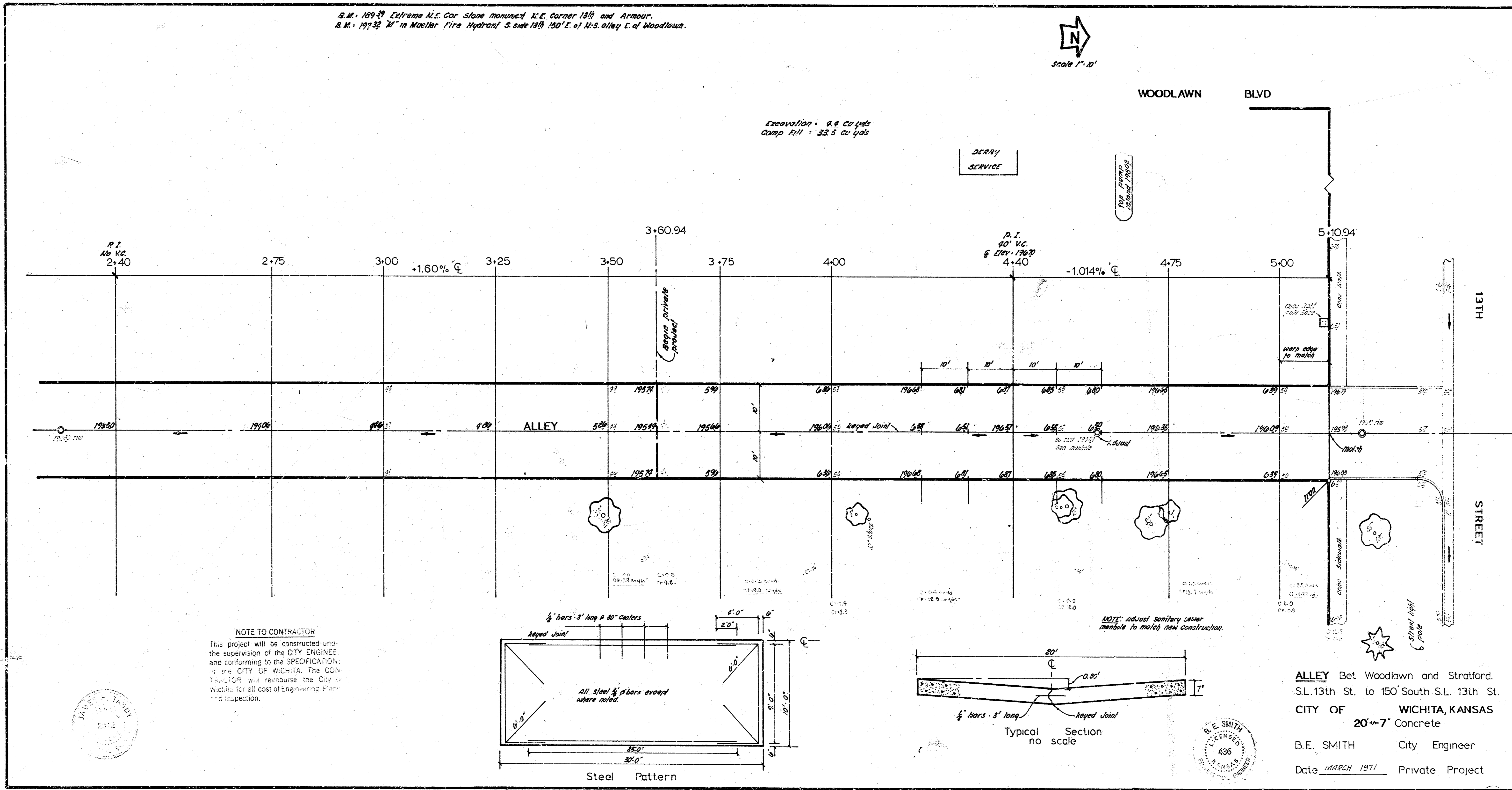


ALLEY bet Woodlawn and Stratford.
 S.L. 13th St. to 150' South S.L. 13th St.
 CITY OF WICHITA, KANSAS
 20'-7" Concrete
 B.E. SMITH City Engineer
 Date 11/27/12 Private Project

B.M. 18929 Extreme N.E. Cor Stone marked N.E. Corner 13th and Armour.
 B.M. 19132 21" in Mueller Fire Hydrant S. side 13th 180' E. of N.E. alley E. of Woodlawn.

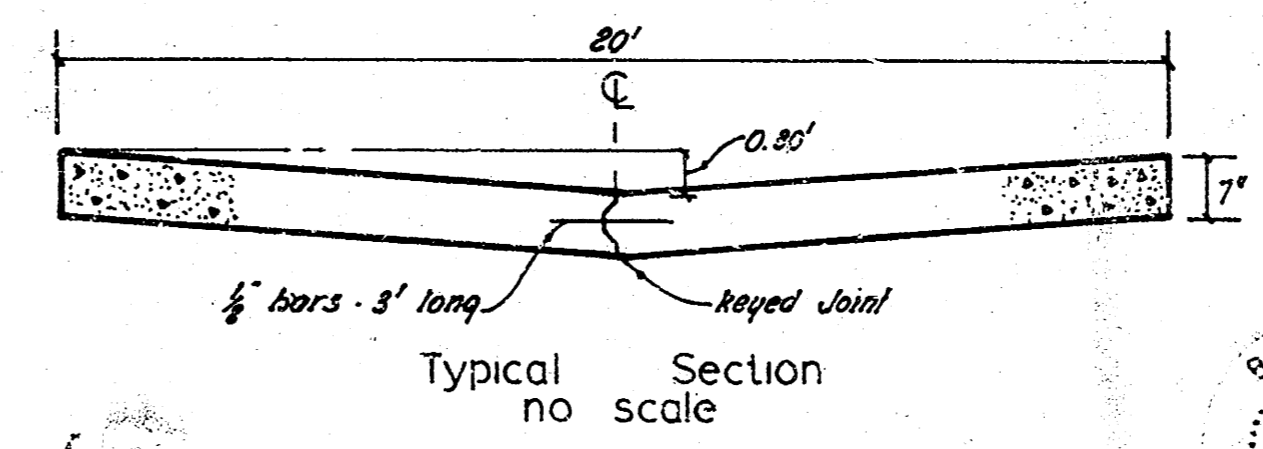
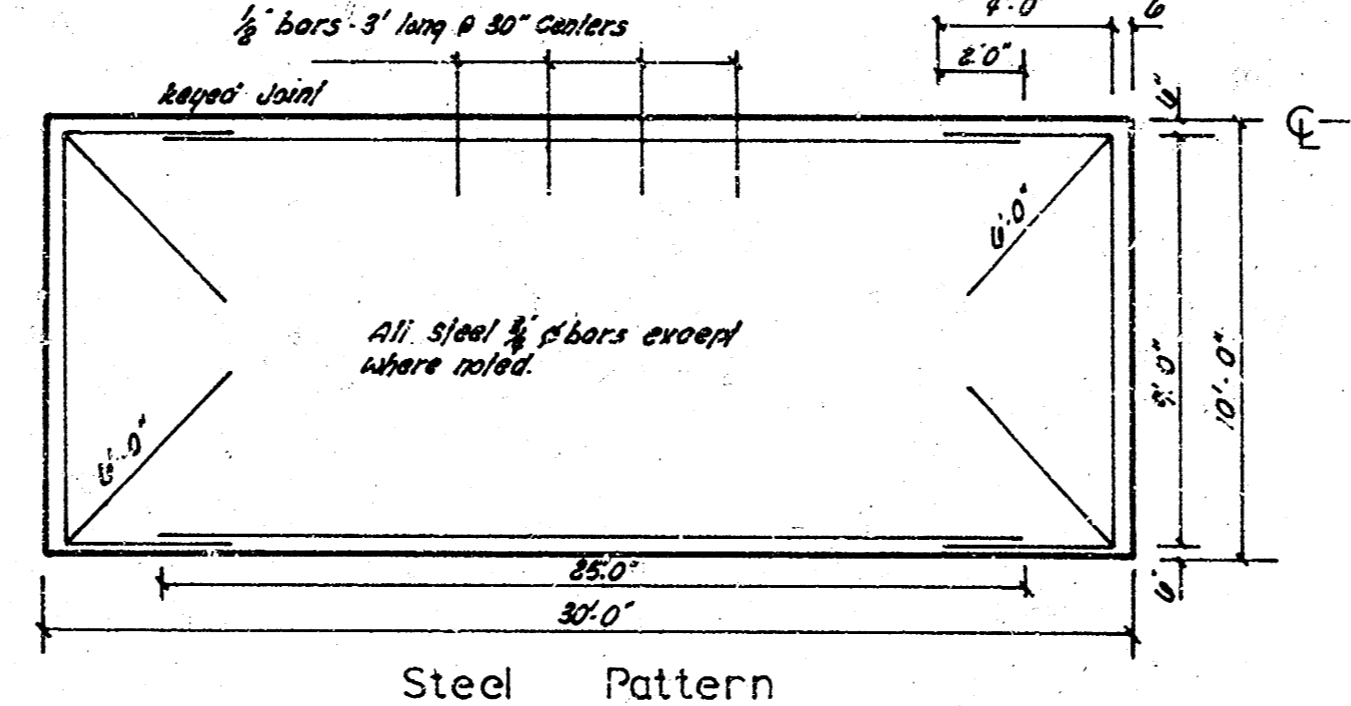


Elevation - 8.4 Cu yds
 Comp Fill - 32.3 cu yds



Shown
 1970
 1971
 1972
 1973
 1974
 1975
 1976
 1977
 1978
 1979
 1980
 1981
 1982
 1983
 1984
 1985
 1986
 1987
 1988
 1989
 1990
 1991
 1992
 1993
 1994
 1995
 1996
 1997
 1998
 1999
 2000
 2001
 2002
 2003
 2004
 2005
 2006
 2007
 2008
 2009
 2010
 2011
 2012
 2013
 2014
 2015
 2016
 2017
 2018
 2019
 2020

NOTE TO CONTRACTOR
 This project will be constructed under the supervision of the CITY ENGINEER and conforming to the SPECIFICATION of the CITY OF WICHITA. The CONTRACTOR will reimburse the City of Wichita for all cost of Engineering, Planning and inspection.



NOTE: actual sanitary sewer manhole to match new construction

ALLEY Bet Woodlawn and Stratford.
 S.L. 13th St. to 150' South S.L. 13th St.
 CITY OF WICHITA, KANSAS
 20'-7" Concrete
 B.E. SMITH City Engineer
 Date MARCH 1971 Private Project

