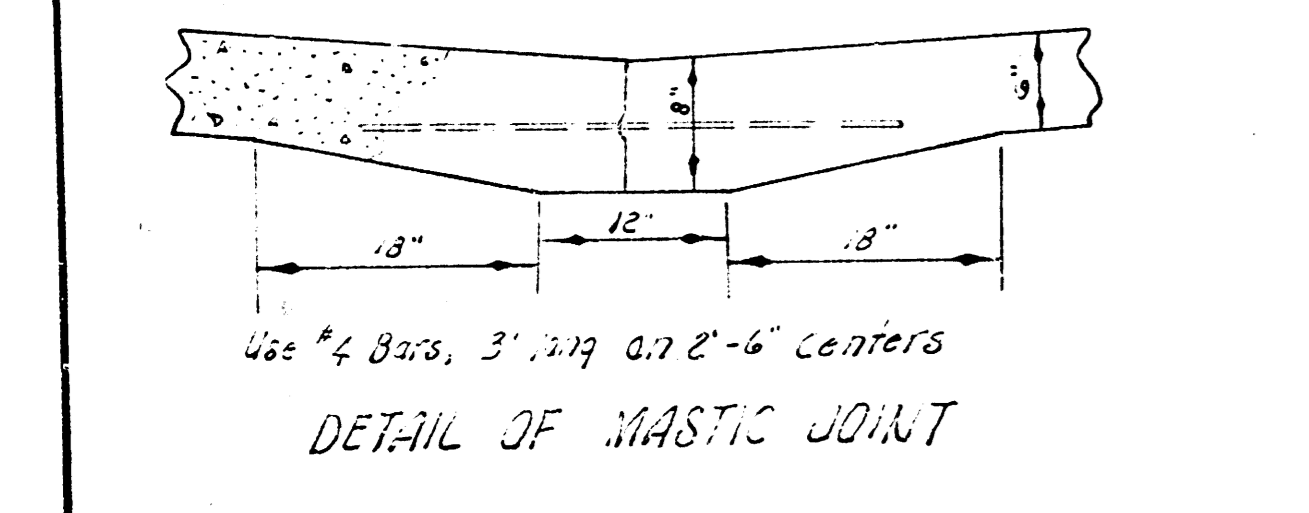
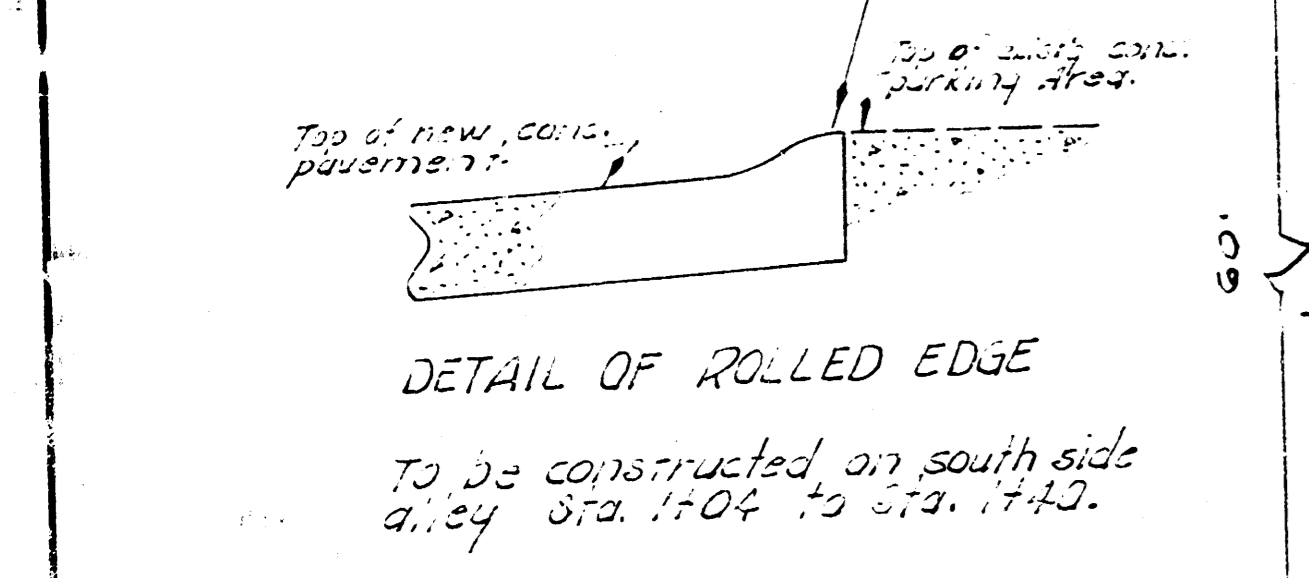
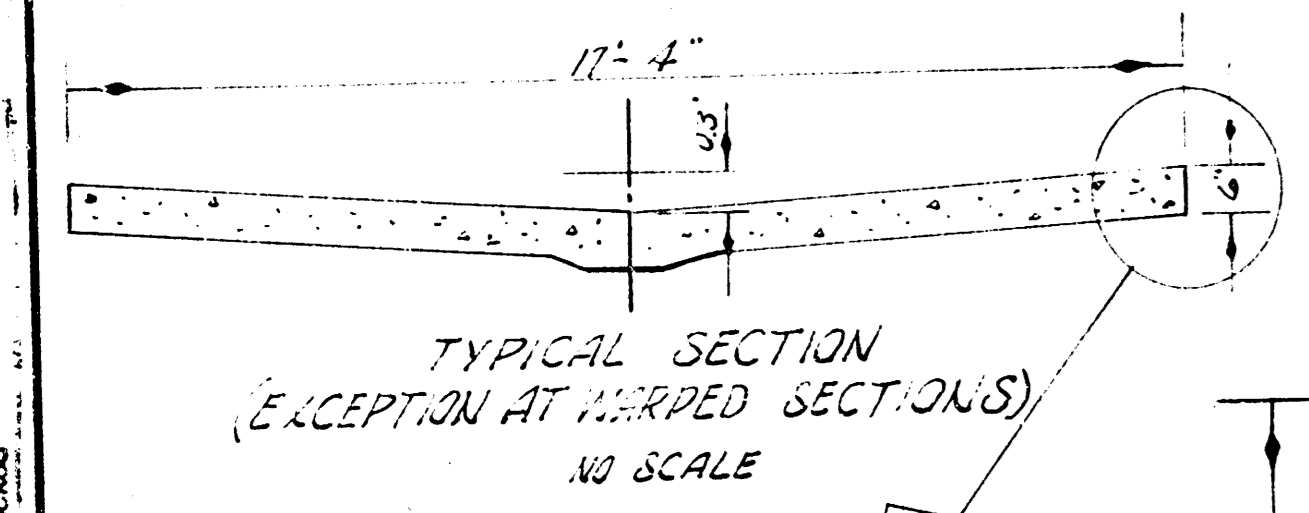
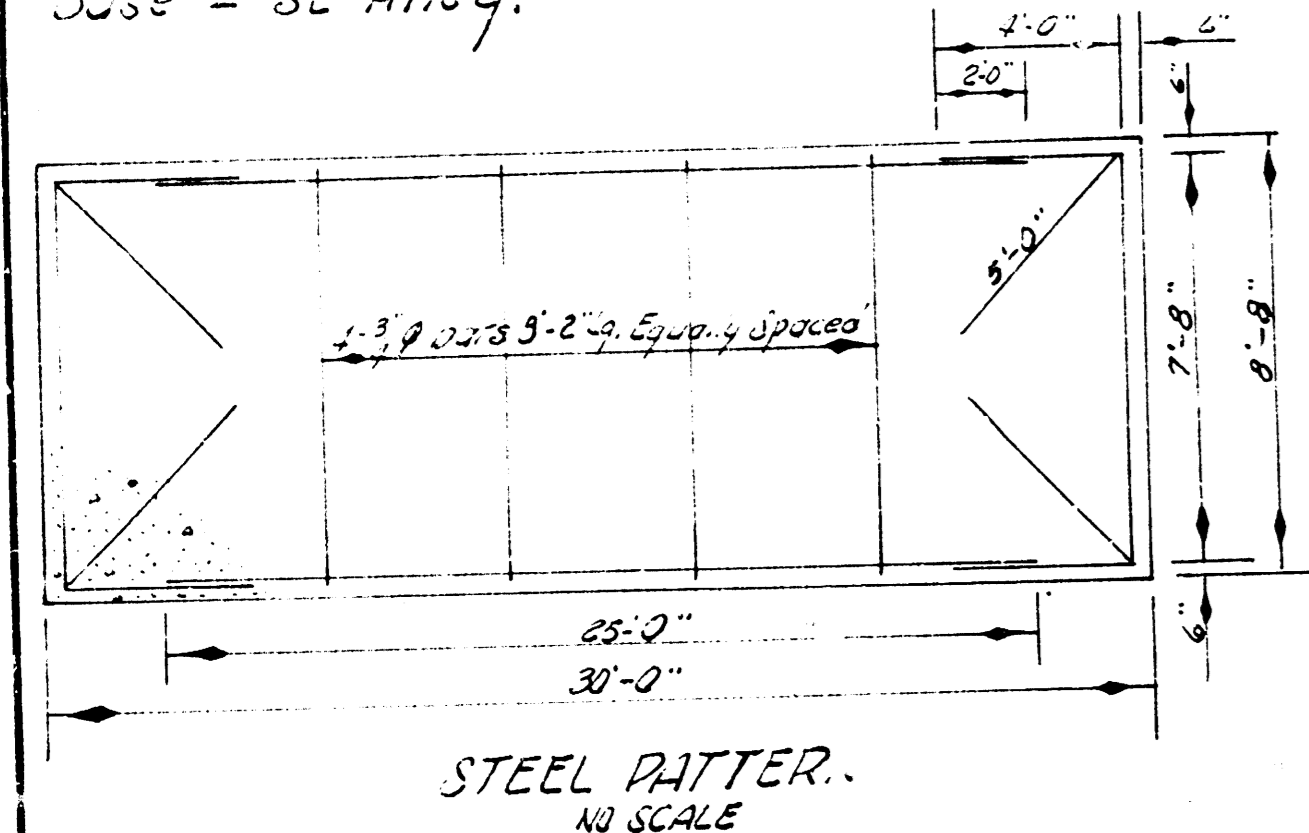
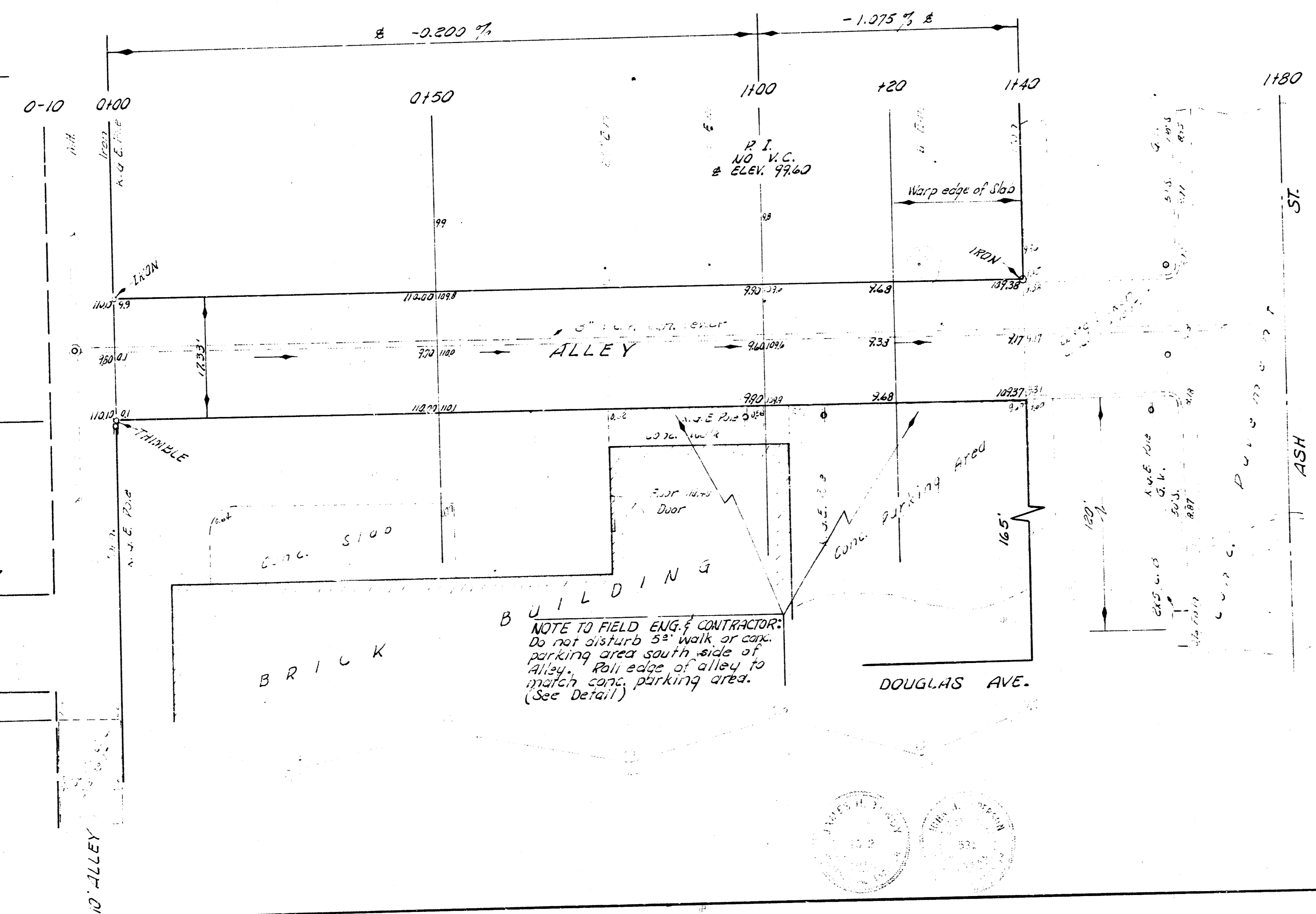


3. 11. 39-33 Iron in form. a Ash and N.S. Douglas.
 Base = 30' High.



NOTE TO FIELD ENGINEER:
 Reference & Replace all irons shown on Plan.

NOTE TO FIELD ENGINEER:
 This plan shows the location of the concrete slab and the location of the iron bars. The City of Wichita will not be responsible for any errors or omissions in this plan.



ESTIMATE OF QUANTITIES			
QUANTITY	UNIT	ITEM	FINAL
287.5	Sq. Yd.	6" conc. Pav. mt	
933.0	Lbs.	Reinf. Steel	
40.0	Lin. Ft.	Mastic joint	
52.1	Cu. Yds.	Excavation	

ALLEY NORTH OF DOUGLAS
 EL ALLEY W. OF ASH TO WL ASH ST.
 17.33' - 6" CONC.
 CITY OF WICHITA, KANSAS
 B. E. SMITH CITY ENGINEER
 OCT 1958, PRIVATE CONTRACT

