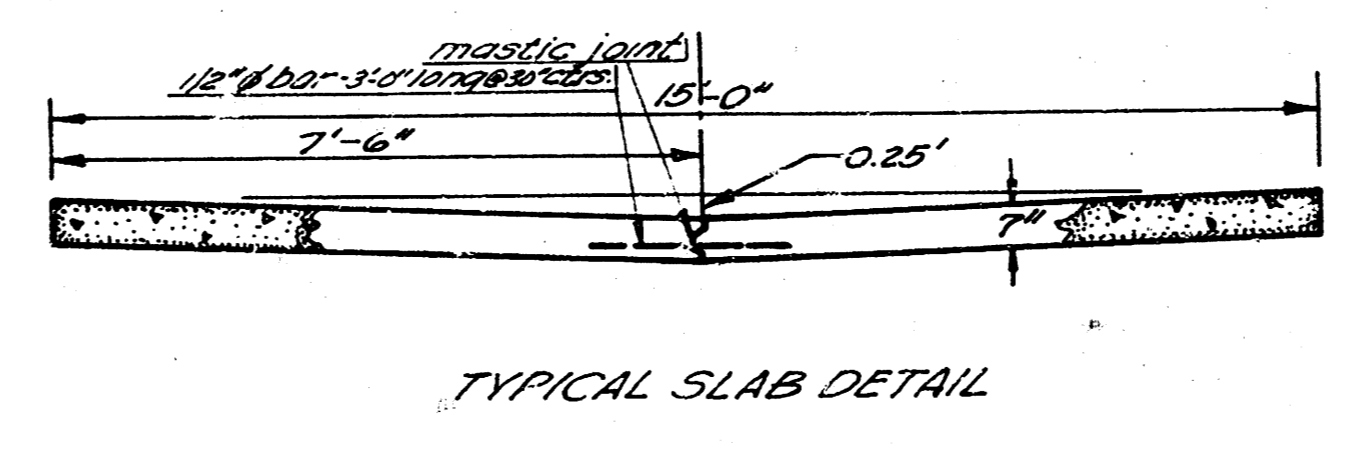
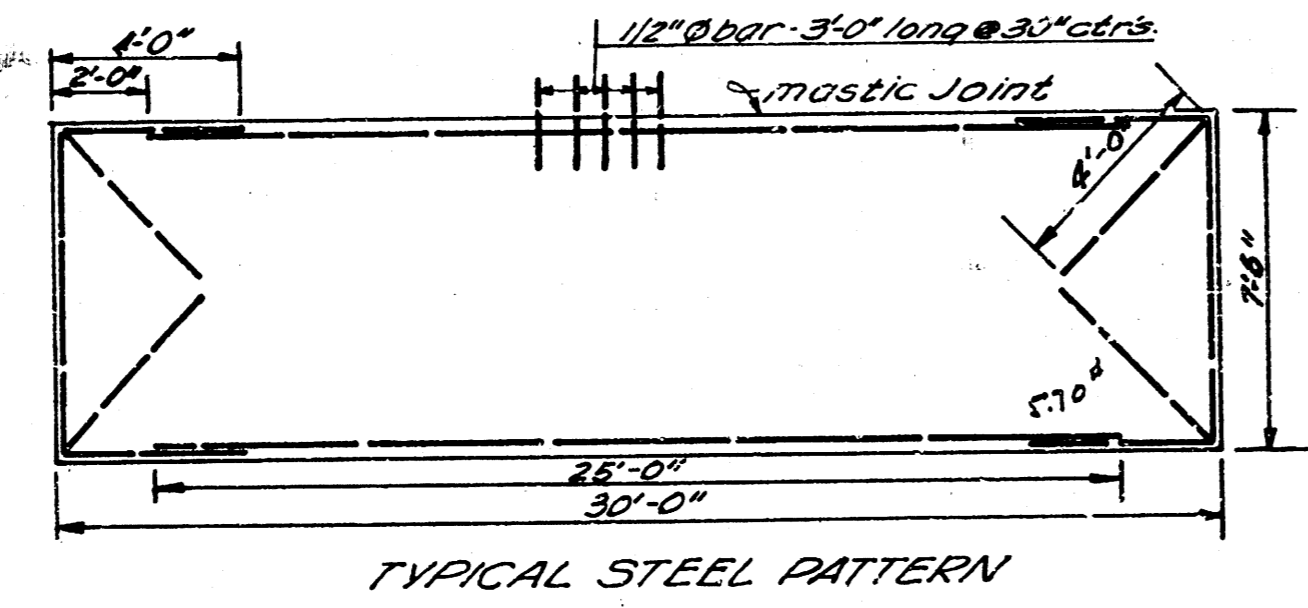
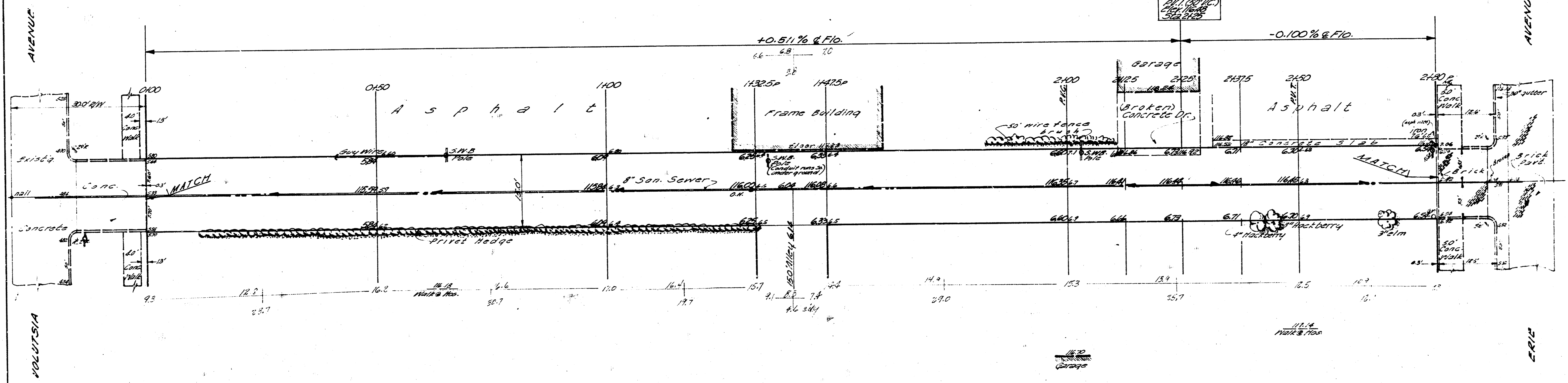
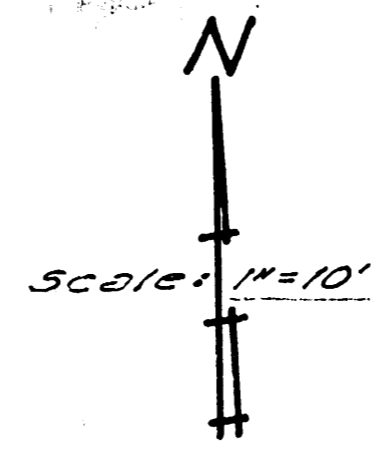


B.M. "Bot. K" (173) Top of coping SW cor. Hillside + Douglas (17.32)
 B.M. "2" in Long cor of Mt. C. St. Cor. Erie + Douglas (18.05)
 B.M. "X" on NW cor. Mt. C. St. Cor. Erie + Alley So. of Douglas (16.57)
 Base Line = 8' Alley



Earthwork Quantities

Excavation	Property	City
144.7	44	
110%	10.5	110% 0.5
159.2	Cu Yds	5.7 Cu Yds

ALLEY-BET DOUGLAS+ENGLISH
 EL.VOLUTSIA to WYLERIE AVE
150'-7" Concrete
 City of Wichita, Kansas
 B.E. Smith City Engineer
 Date: Sept. 1959 Proj. No. C19-109



Survey by J.H. Epperlin, Inc. 1959
 City of Wichita, Kansas
 Project No. C19-109