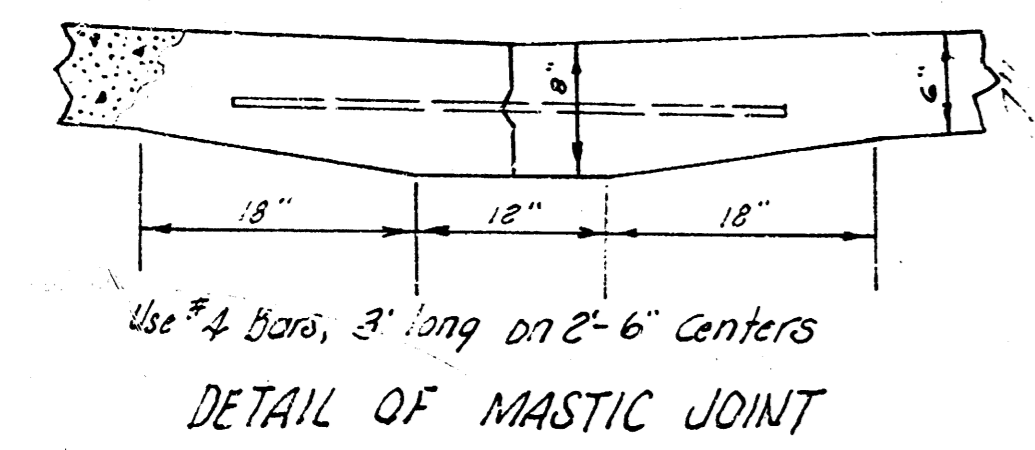
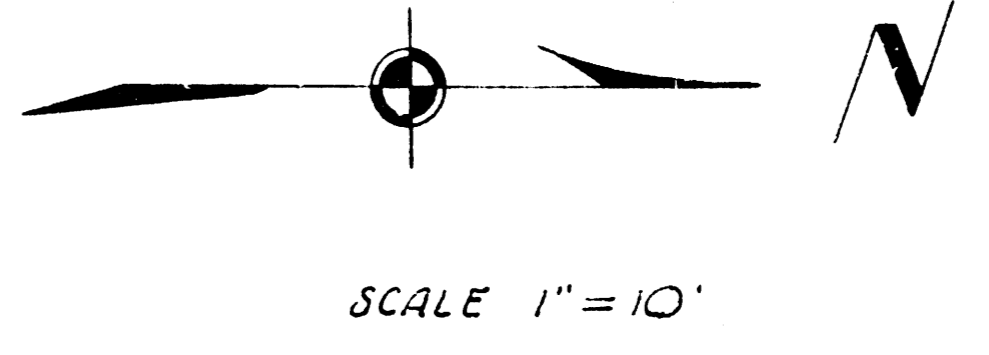
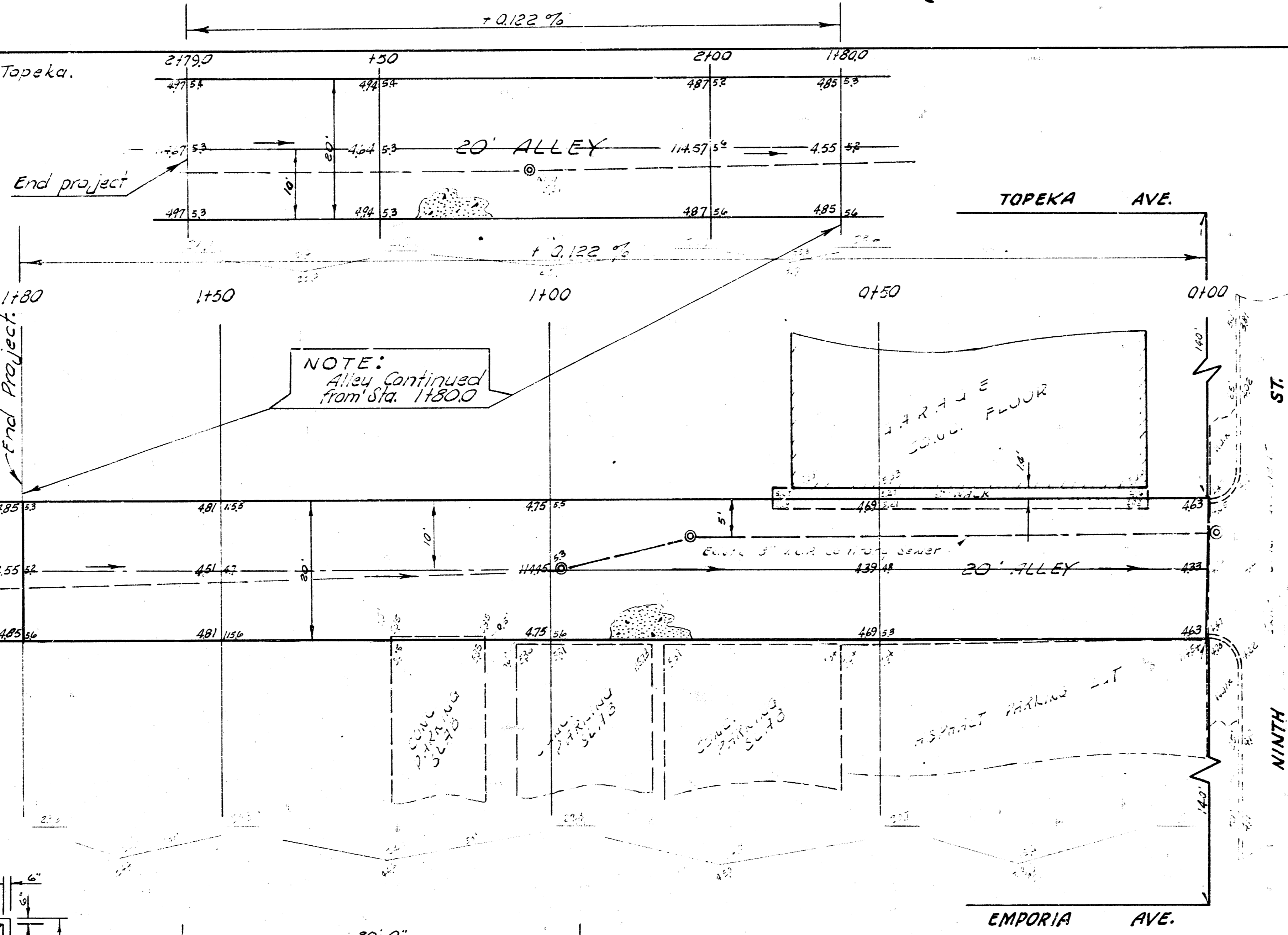
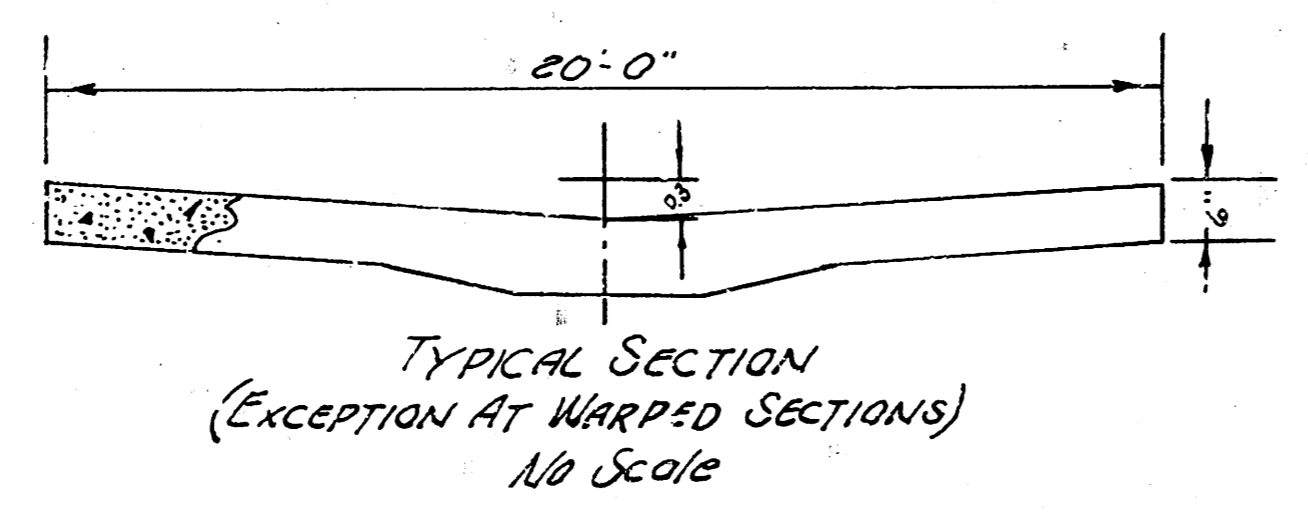
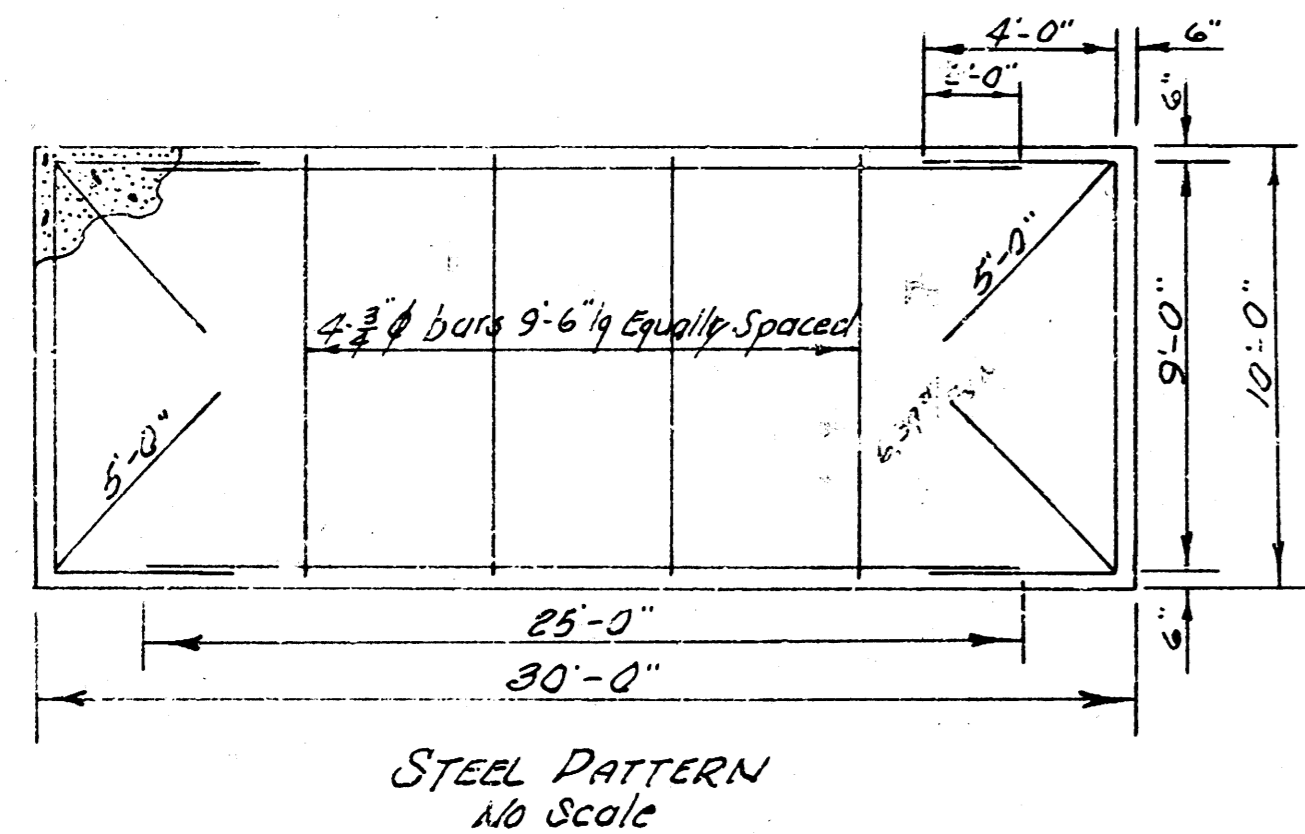


B. M. 113.77 W. rim M. H. ctn. 9th St. - ES Topeka.
Baseline & Stationing on E. Alley.



ESTIMATED QUANTITIES		
220.0	4,300.0	Sq. Yds 6" Conc.
1485.0	27,000.0	Lbs. Reinf. Steel
867.0	148.9	Cu. Yds. Excavation
1.6	2.8	Cu. Yds. Special Excav.
1.6	2.8	Cu. Yds. Special Excav.
99.0	1800	Lin. Ft. Mastic Joint
	171.0	Sq. Ft. Walk Removal



NOTE TO CONTRACTOR
This work will be performed under the supervision of the City Engineer and in accordance with the Special Contract of the City of Wichita, Kansas. The City Engineer will reimburse the City of Wichita for the cost of Engineering Plans.

ALLEY EXTENDED
180' S. OF SL 9TH TO 279' S. OF SL 9TH
SEPT. 1959 PRIVATE CONTRACT

ALLEY
BETW TOPEKA AVE. & EMPORIA AVE.
SL 9TH ST. TO 180' S. OF SL 9TH ST.
20' CONC. 6"
CITY OF WICHITA, KANSAS
B. E. SMITH CITY ENGINEER
AUG. 1959, PRIVATE CONTRACT



DRAWN BY: J. V. ...
 CHECKED BY: ...
 DATE: ...